



US00D796613S

(12) **United States Design Patent**
Schapiro

(10) **Patent No.:** **US D796,613 S**

(45) **Date of Patent:** **** Sep. 5, 2017**

(54) **HOVERBOARD**

(71) Applicant: **Steven Schapiro**, Columbia, MD (US)

(72) Inventor: **Steven Schapiro**, Columbia, MD (US)

(**) Term: **15 Years**

(21) Appl. No.: **29/553,707**

(22) Filed: **Feb. 3, 2016**

(51) **LOC (10) Cl.** **21-02**

(52) **U.S. Cl.**
USPC **D21/760**

(58) **Field of Classification Search**

USPC D21/419, 421, 423, 426, 760, 765, 766,
D21/769, 771, 776, 803; D12/1
CPC A63C 17/01; A63C 17/12; A63C 2203/00;
A63C 2203/011; A63C 2203/012; A63C
2203/013; A63C 2203/40; A63C 2203/52;
B62D 51/02; B62K 2202/00; B62K
2207/00; B62K 2207/02; B62K 2207/04
See application file for complete search history.

(56) **References Cited**

U.S. PATENT DOCUMENTS

6,398,237	B1 *	6/2002	Attey	A63C 17/01 188/29
6,467,560	B1 *	10/2002	Anderson	A63C 17/01 180/181
D601,922	S *	10/2009	Imai	D12/1
8,584,782	B2 *	11/2013	Chen	180/218
8,738,278	B2 *	5/2014	Chen	B62K 3/007 180/218
9,045,190	B2 *	6/2015	Chen	A63C 17/0073
D737,723	S *	9/2015	Ying	D12/1
D738,256	S *	9/2015	Ying	D12/1
D739,906	S *	9/2015	Chen	D21/760
9,376,155	B2 *	6/2016	Ying	B62K 3/007
9,403,573	B1 *	8/2016	Mazzei	B62D 51/02

2013/0032423	A1 *	2/2013	Chen	A63C 17/0073 180/218
2013/0228385	A1 *	9/2013	Chen	B62K 11/007 180/6.5
2013/0238231	A1 *	9/2013	Chen	B62K 11/007 701/124

* cited by examiner

Primary Examiner — Cynthia M Chin

(74) *Attorney, Agent, or Firm* — QuickPatents, LLC;
Kevin Prince

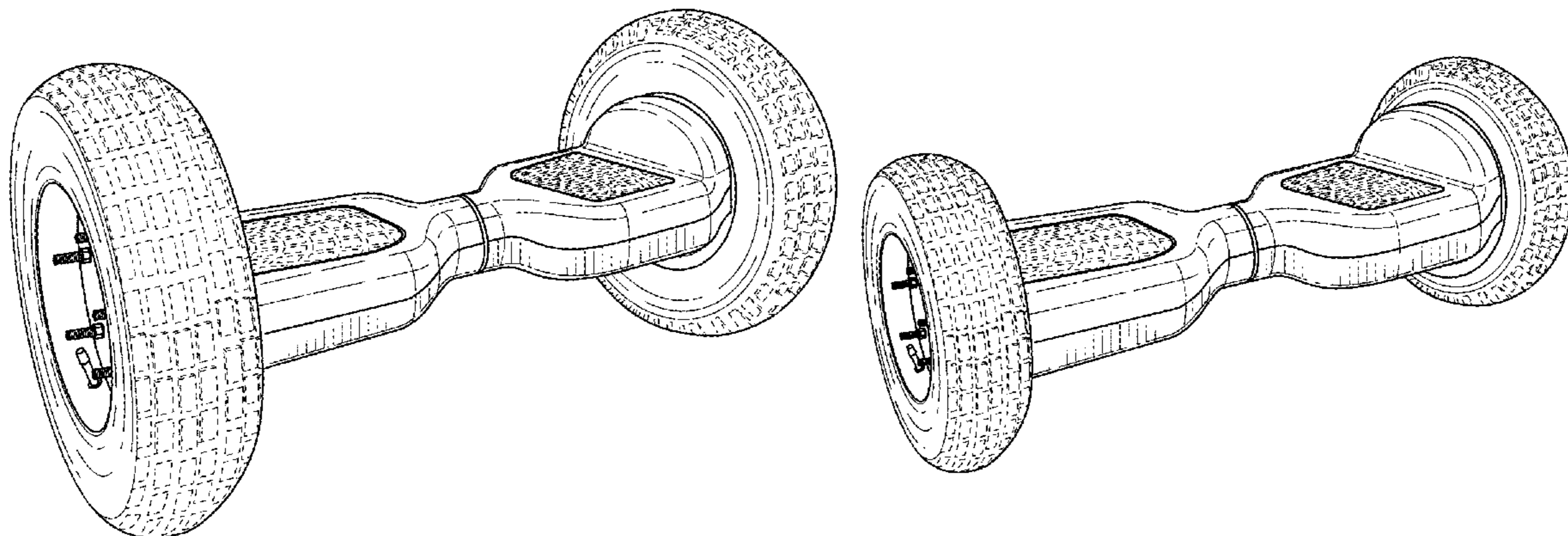
(57) **CLAIM**

I claim the ornamental design for a hoverboard, as shown and described.

DESCRIPTION

FIG. 1 is a perspective view of a hoverboard, showing a first embodiment of my new design;
 FIG. 2 is a front elevational view of FIG. 1, the rear elevational view being a mirror image thereof;
 FIG. 3 is a left-side elevational view of FIG. 1, the right-side elevational view being a mirror image thereof;
 FIG. 4 is a top plan view of FIG. 1;
 FIG. 5 is a bottom plan view of FIG. 1;
 FIG. 6 is a perspective view of a second embodiment thereof;
 FIG. 7 is a front elevational view of FIG. 6, the rear elevational view being a mirror image thereof;
 FIG. 8 is a left-side elevational view of FIG. 6, the right-side elevational view being a mirror image thereof;
 FIG. 9 is a top plan view of FIG. 6; and,
 FIG. 10 is a bottom plan view of FIG. 6.
 The broken lines are for the purpose of illustrating portions of the hoverboard that form no part of the claim.

1 Claim, 5 Drawing Sheets



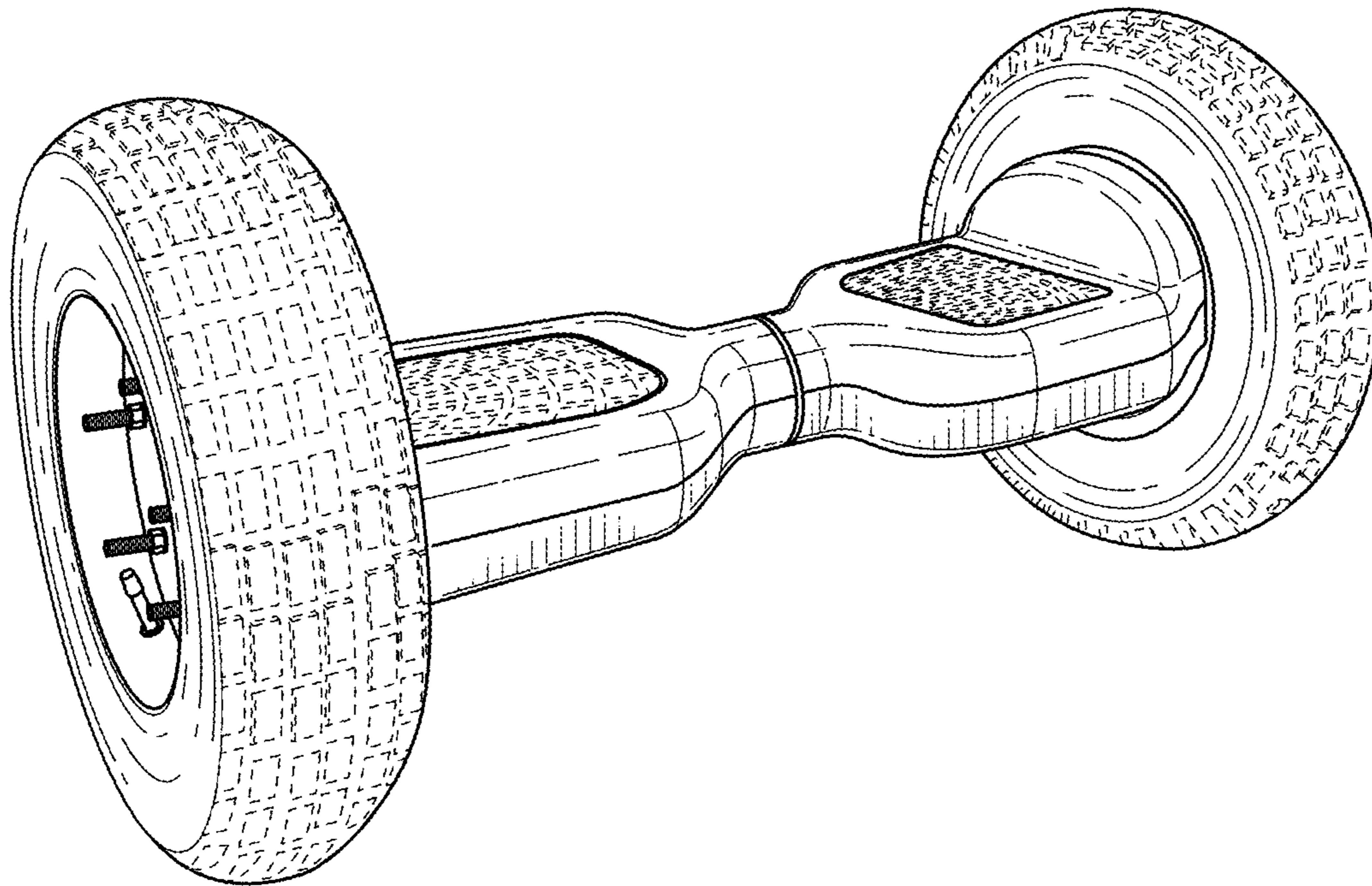


FIG. 1

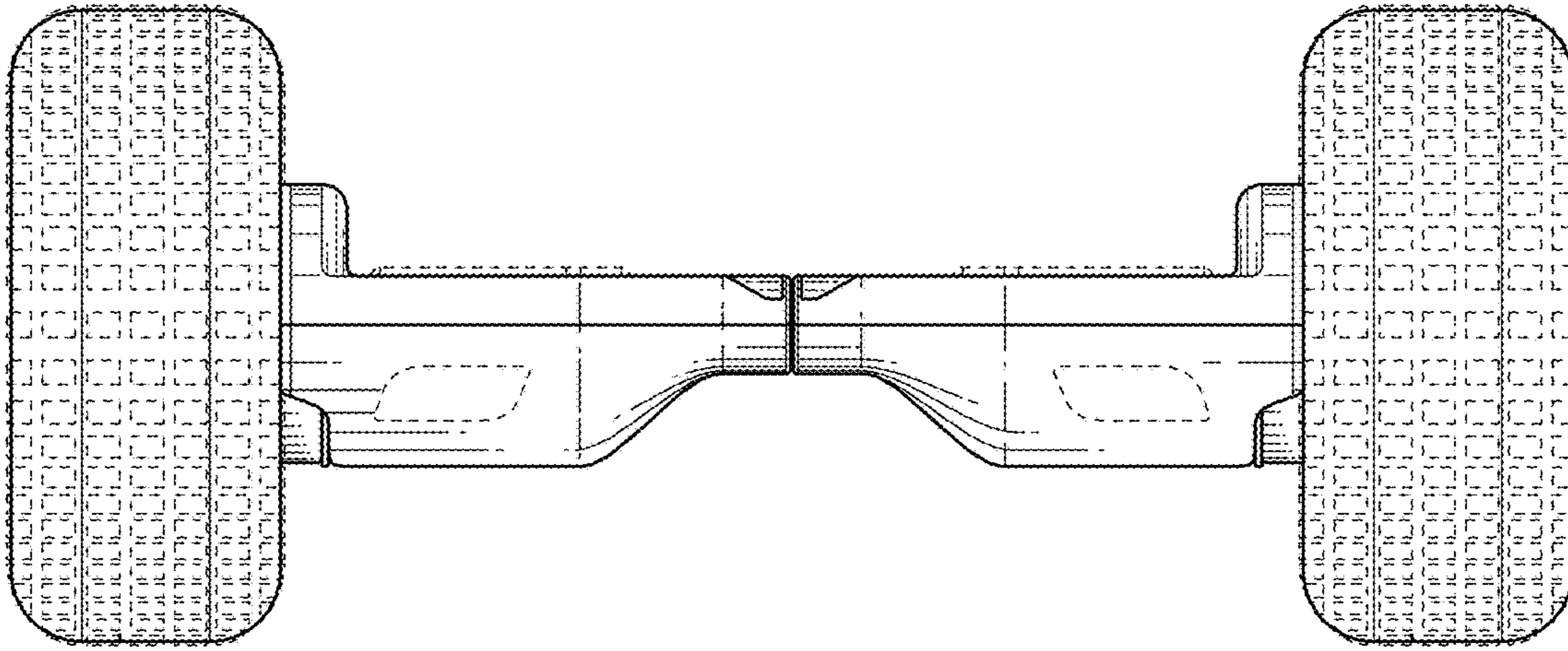


FIG. 2

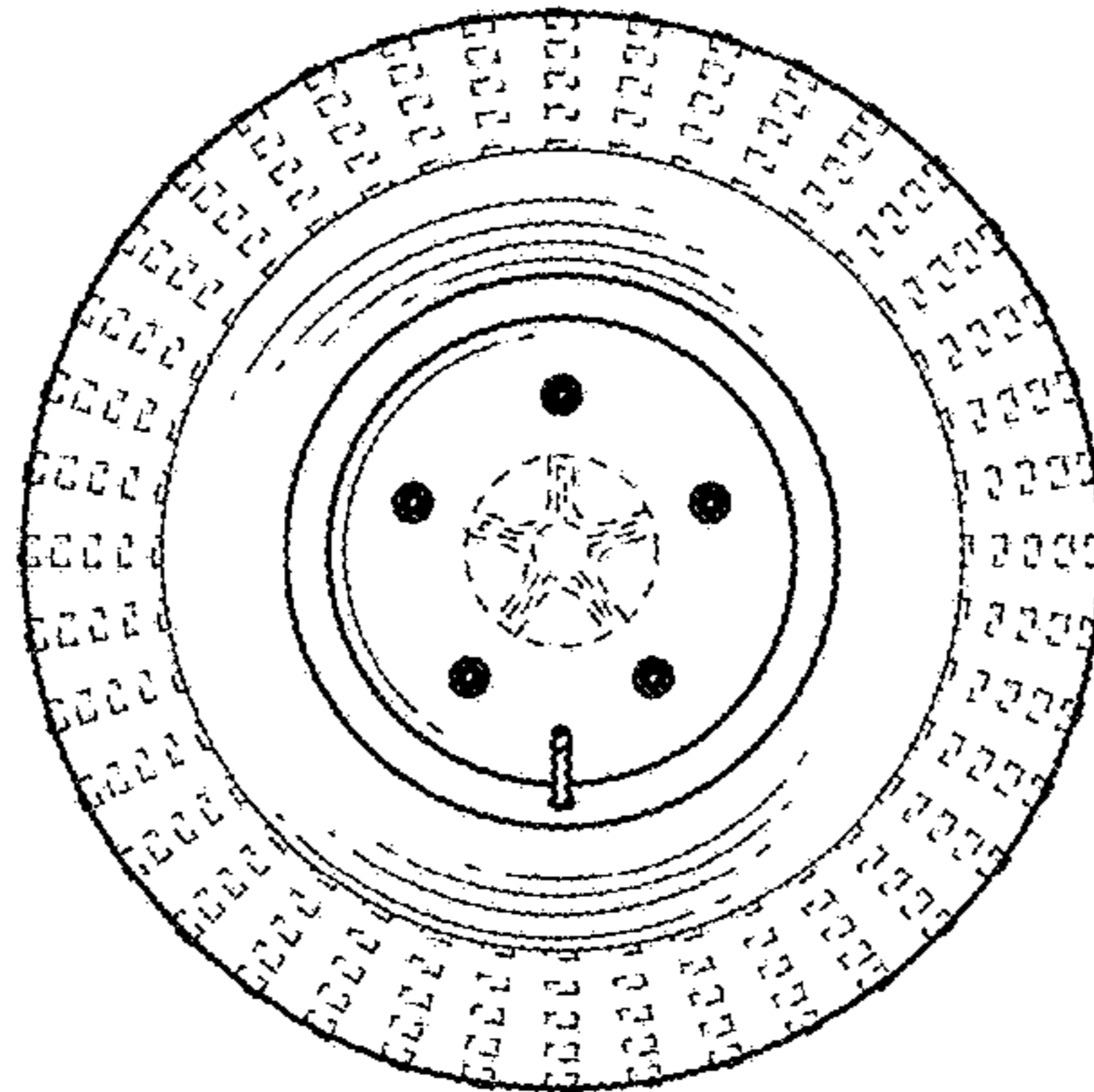


FIG. 3

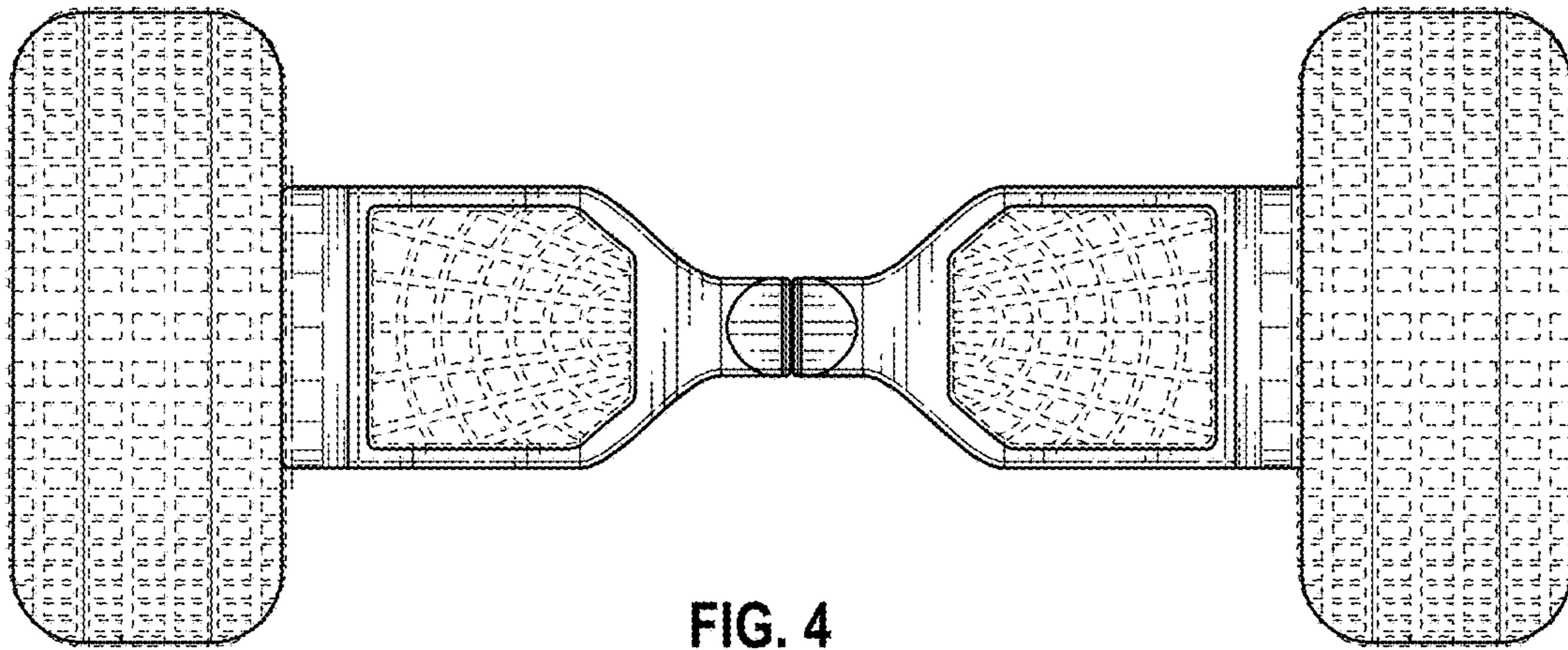


FIG. 4

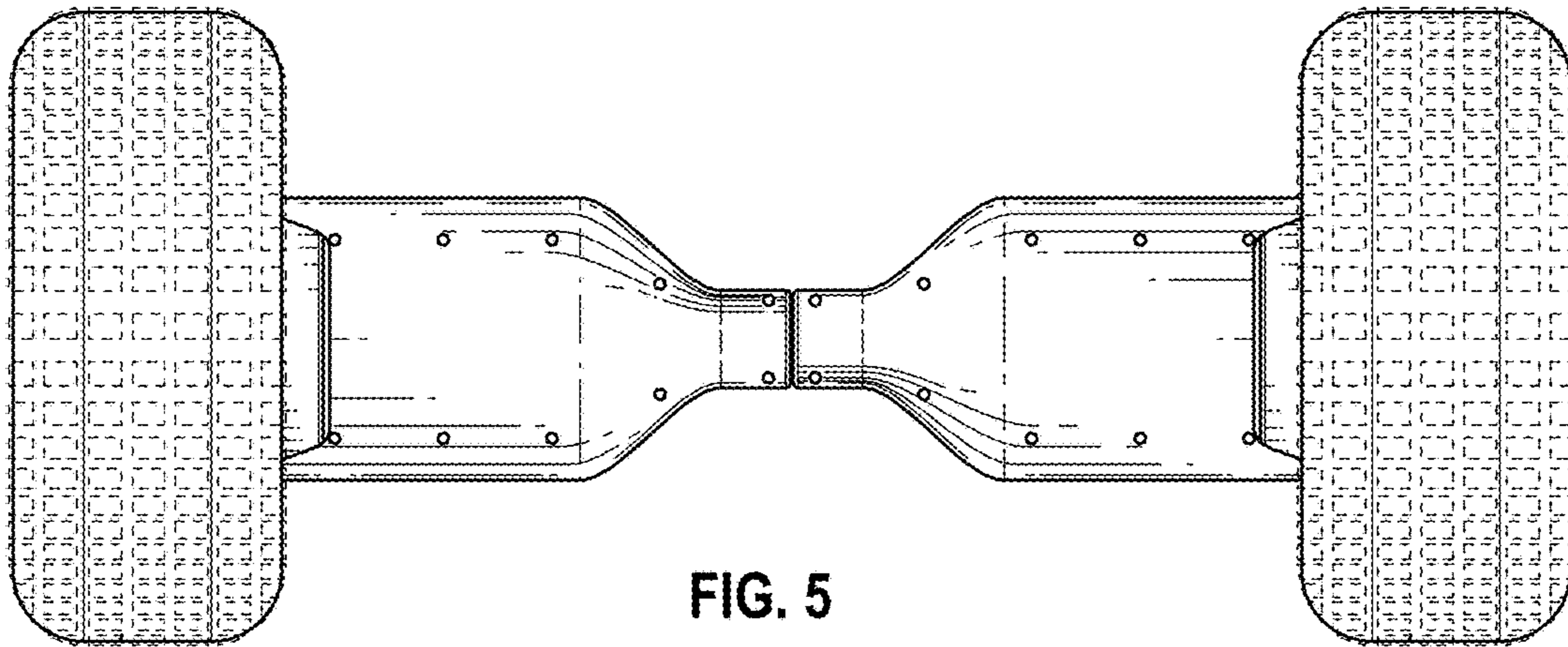


FIG. 5

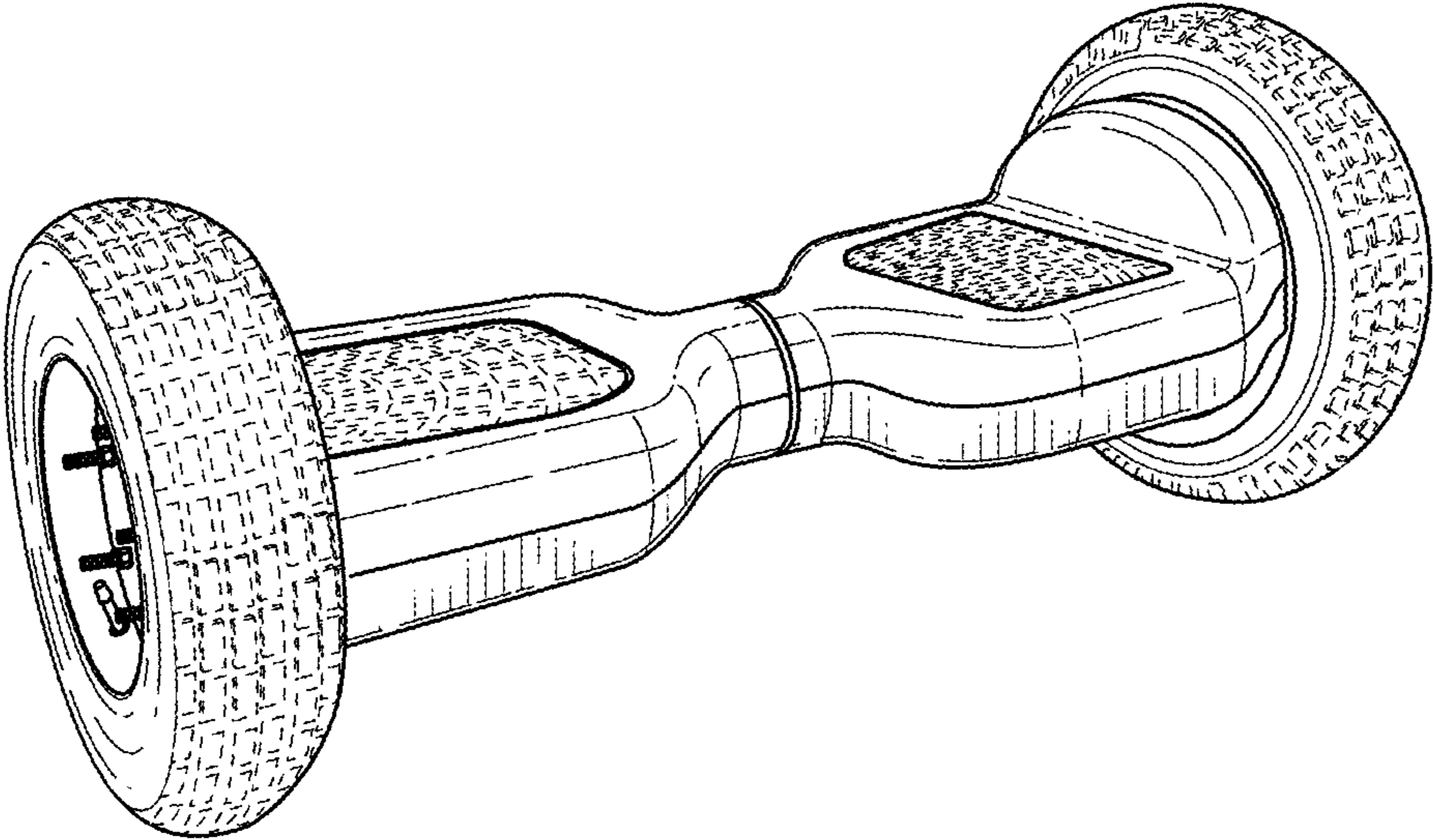


FIG. 6

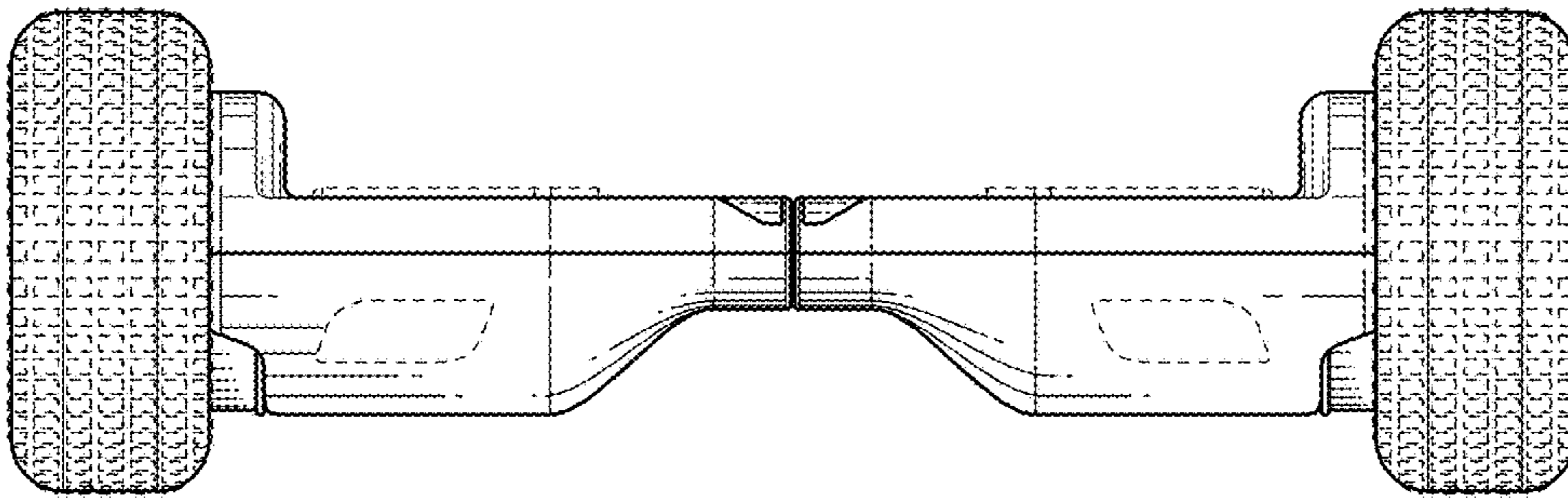


FIG. 7

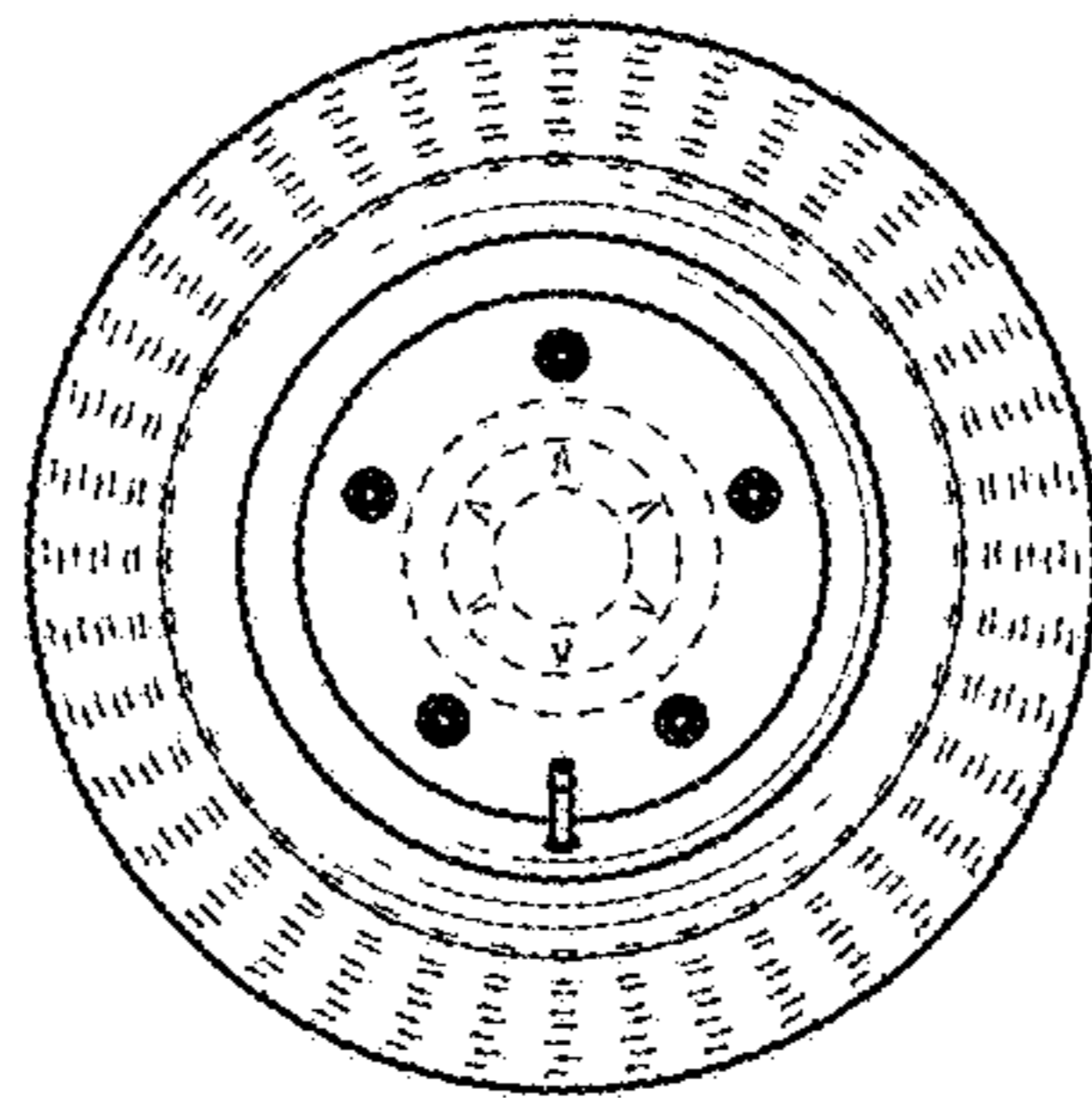


FIG. 8

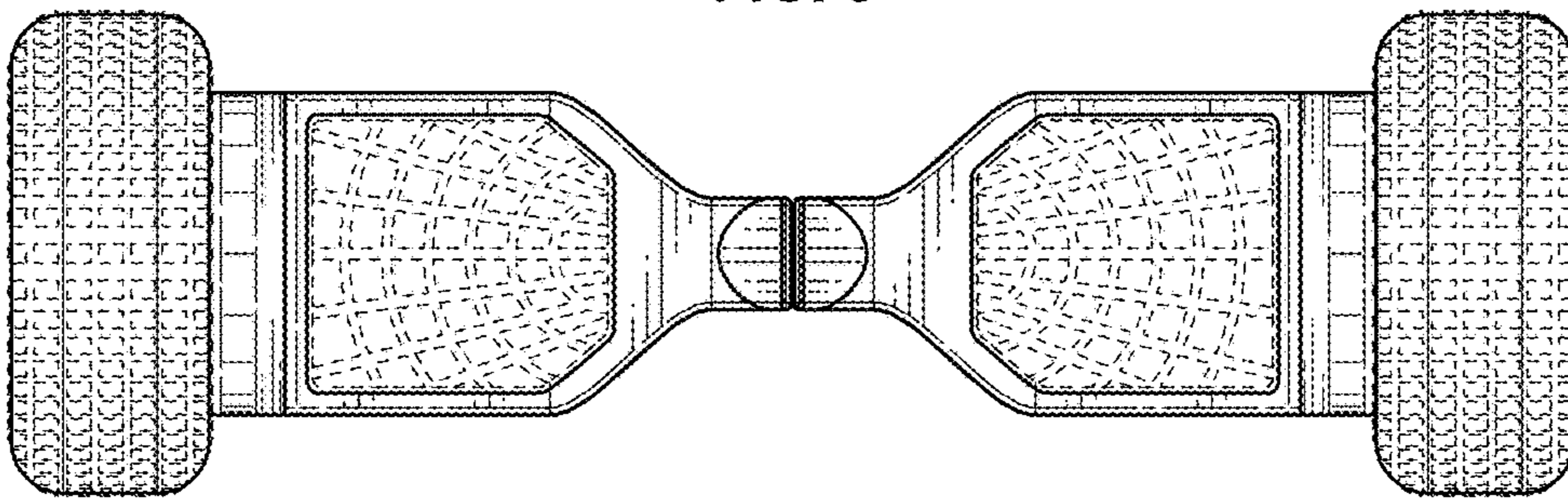


FIG. 9

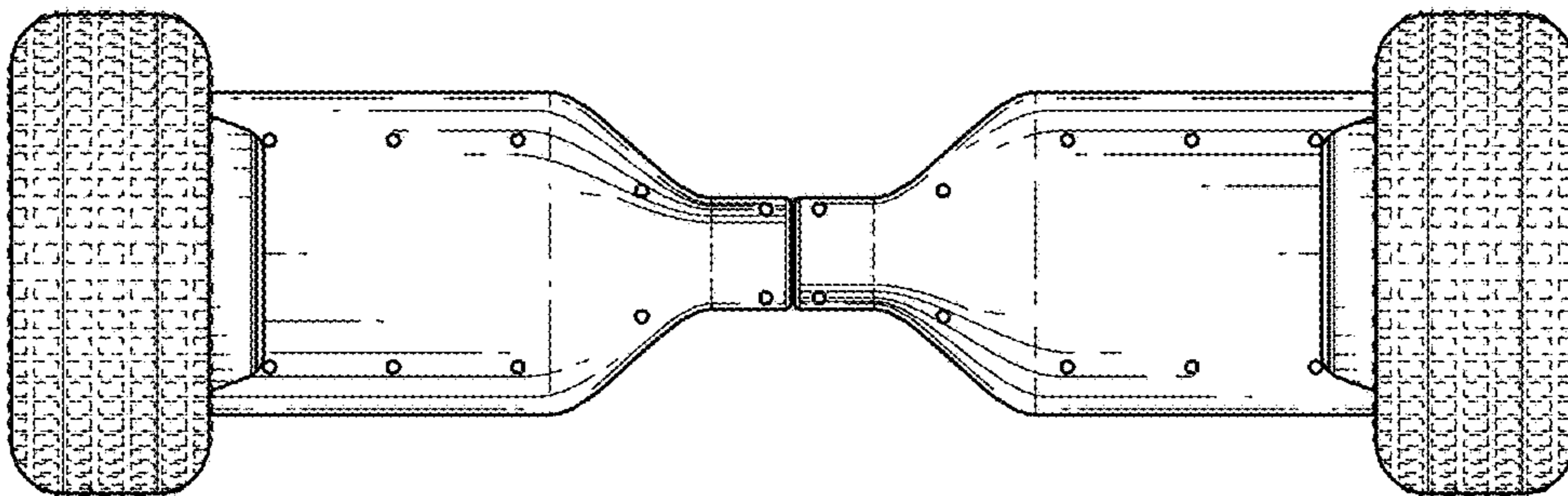


FIG. 10