



US00D796612S

(12) **United States Design Patent** (10) **Patent No.:** **US D796,612 S**
Myers et al. (45) **Date of Patent:** **** Sep. 5, 2017**

(54) **GOLF CLUB HEAD**
(71) Applicant: **CALLAWAY GOLF COMPANY**,
Carlsbad, CA (US)
(72) Inventors: **Matthew Myers**, Carlsbad, CA (US);
Wee Joung Kim, Vista, CA (US)
(73) Assignee: **Callaway Golf Company**, Carlsbad,
CA (US)
(**) Term: **15 Years**
(21) Appl. No.: **29/571,593**
(22) Filed: **Jul. 20, 2016**
(51) **LOC (10) Cl.** **21-02**
(52) **U.S. Cl.**
USPC **D21/759**
(58) **Field of Classification Search**
USPC D21/733, 752, 759
CPC A63B 53/00; A63B 53/04; A63B 53/0466;
A63B 2053/002; A63B 2053/0445; A63B
2053/0433; A63B 2053/0491; A63B
2053/0437
See application file for complete search history.

(56) **References Cited**
U.S. PATENT DOCUMENTS
D354,325 S * 1/1995 Henwood D21/752
D414,234 S * 9/1999 Darrah D21/759
D585,101 S * 1/2009 Glod D21/752
D606,145 S * 12/2009 Kim D21/752

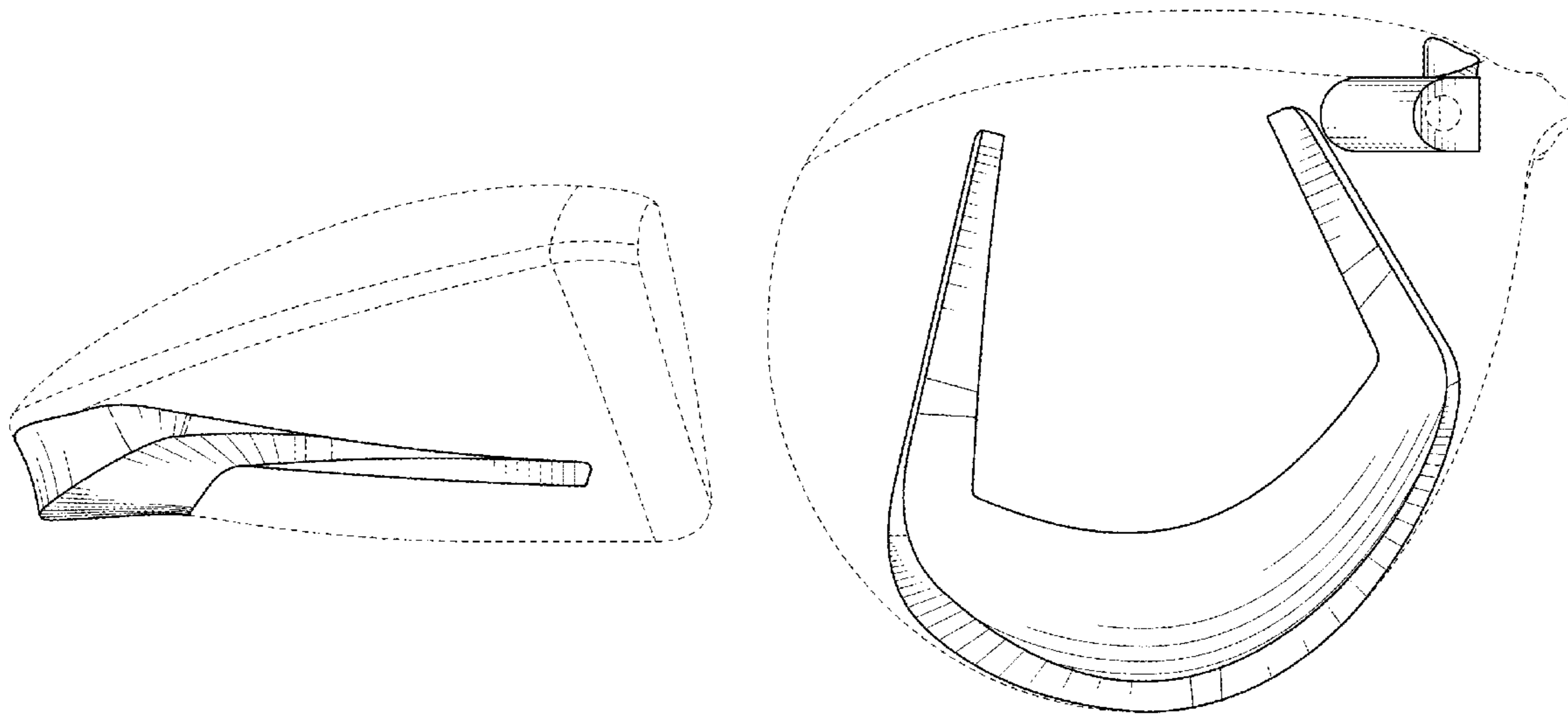
D617,403 S * 6/2010 Llewellyn D21/752
D617,858 S * 6/2010 Llewellyn D21/752
D618,295 S * 6/2010 Llewellyn D21/752
D627,842 S * 11/2010 Gray D21/759
D630,279 S * 1/2011 Kuan D21/759
D667,908 S * 9/2012 Shimazaki D21/759
D669,546 S * 10/2012 Llewellyn D21/752
D669,948 S * 10/2012 Sakamoto D21/752
D669,949 S * 10/2012 Sakamoto D21/752
D708,686 S * 7/2014 Day D21/752
D713,902 S * 9/2014 Kono D21/759
D716,889 S * 11/2014 Dolezel D21/759

* cited by examiner
Primary Examiner — Mitchell Siegel
(74) *Attorney, Agent, or Firm* — Rebecca Hanovice;
Michael Catania; Sonia Lari

(57) **CLAIM**
The ornamental design for a golf club head, as shown and
described.

DESCRIPTION
FIG. 1 is a top perspective view of the golf club head as
claimed herein;
FIG. 2 is a front elevational view thereof;
FIG. 3 is a rear elevational view thereof;
FIG. 4 is a left side elevational view thereof;
FIG. 5 is a right side elevational view thereof;
FIG. 6 is a top elevational view thereof; and,
FIG. 7 is a bottom elevational view thereof.
The broken lines are included for the purpose of illustration
and form no part of the claimed design.

1 Claim, 5 Drawing Sheets



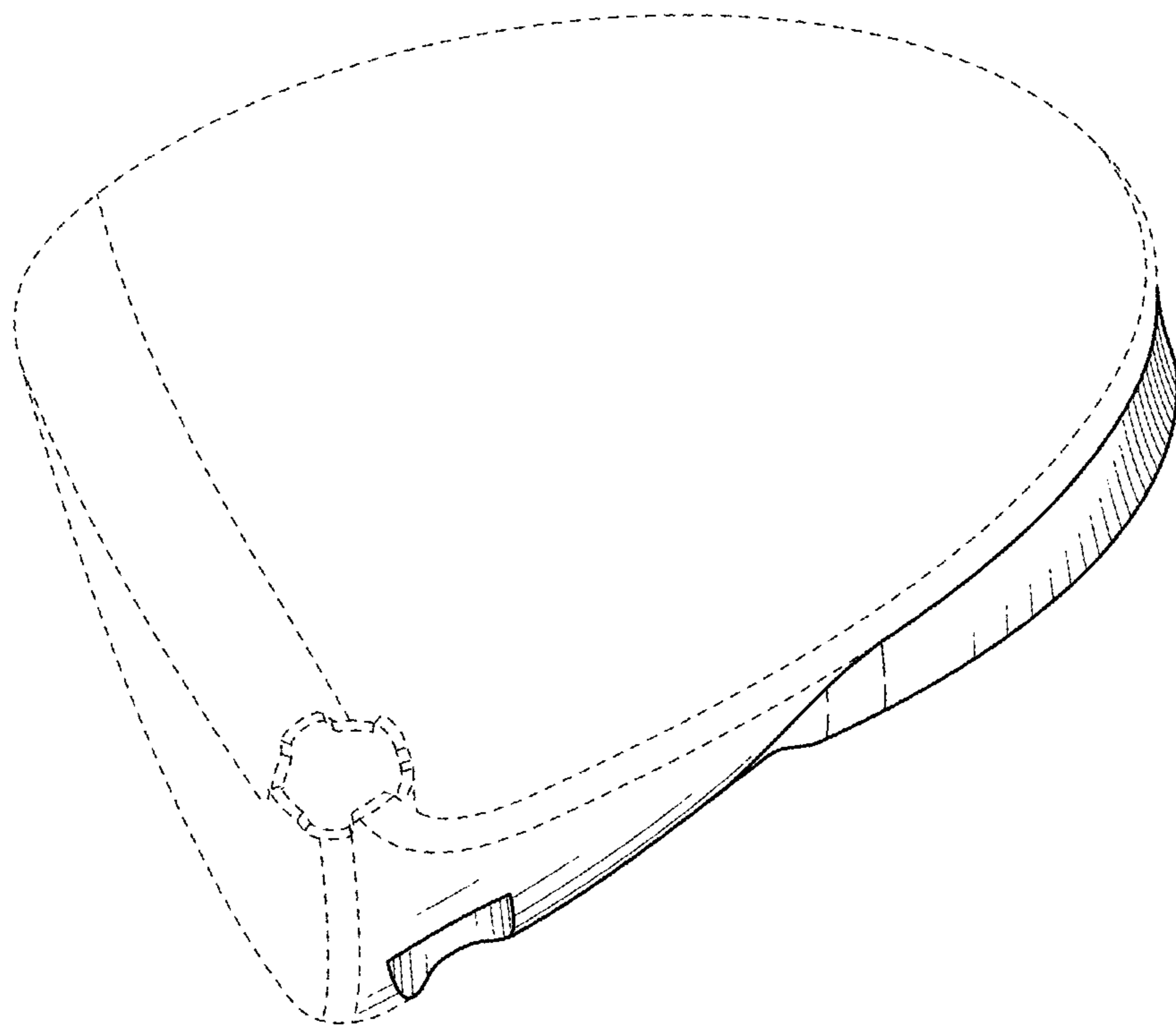


FIG. 1

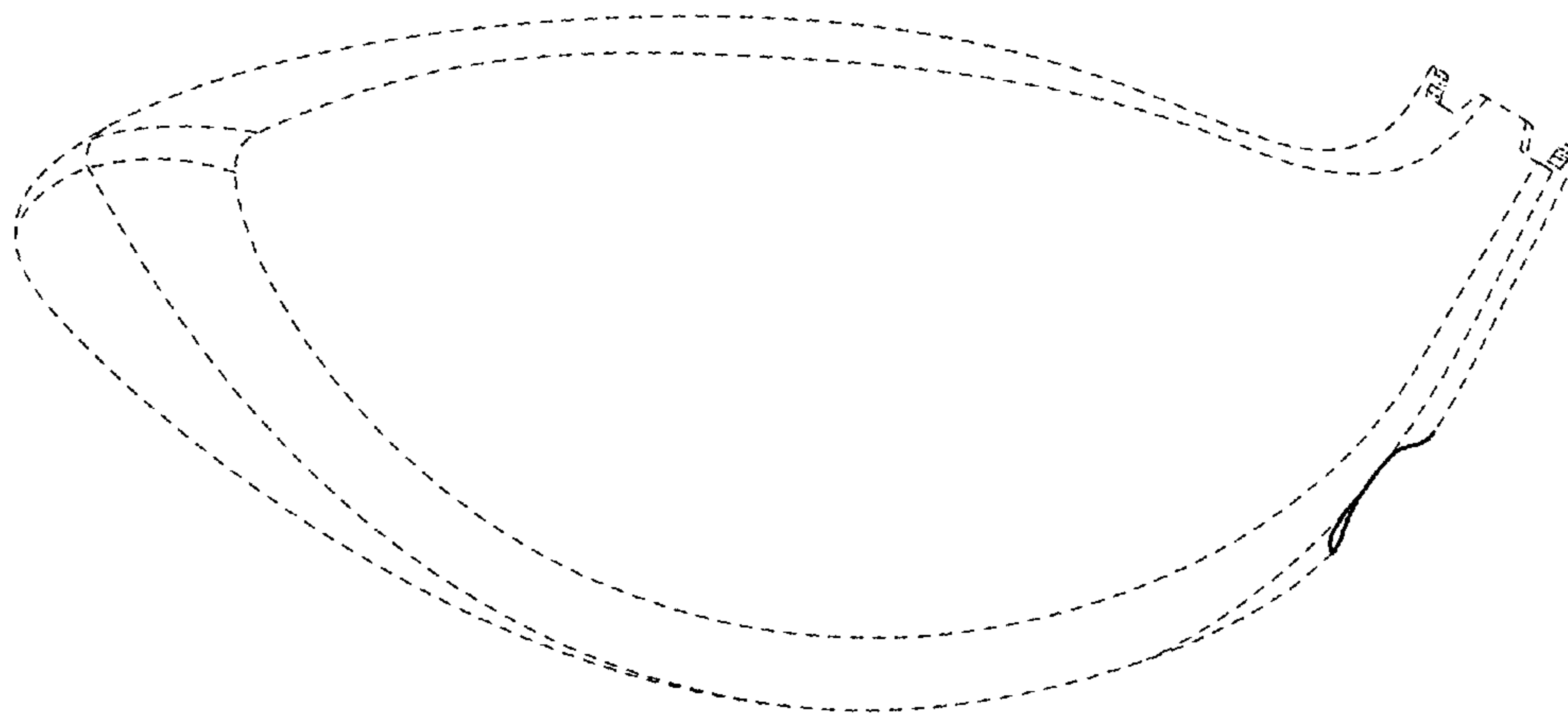


FIG. 2

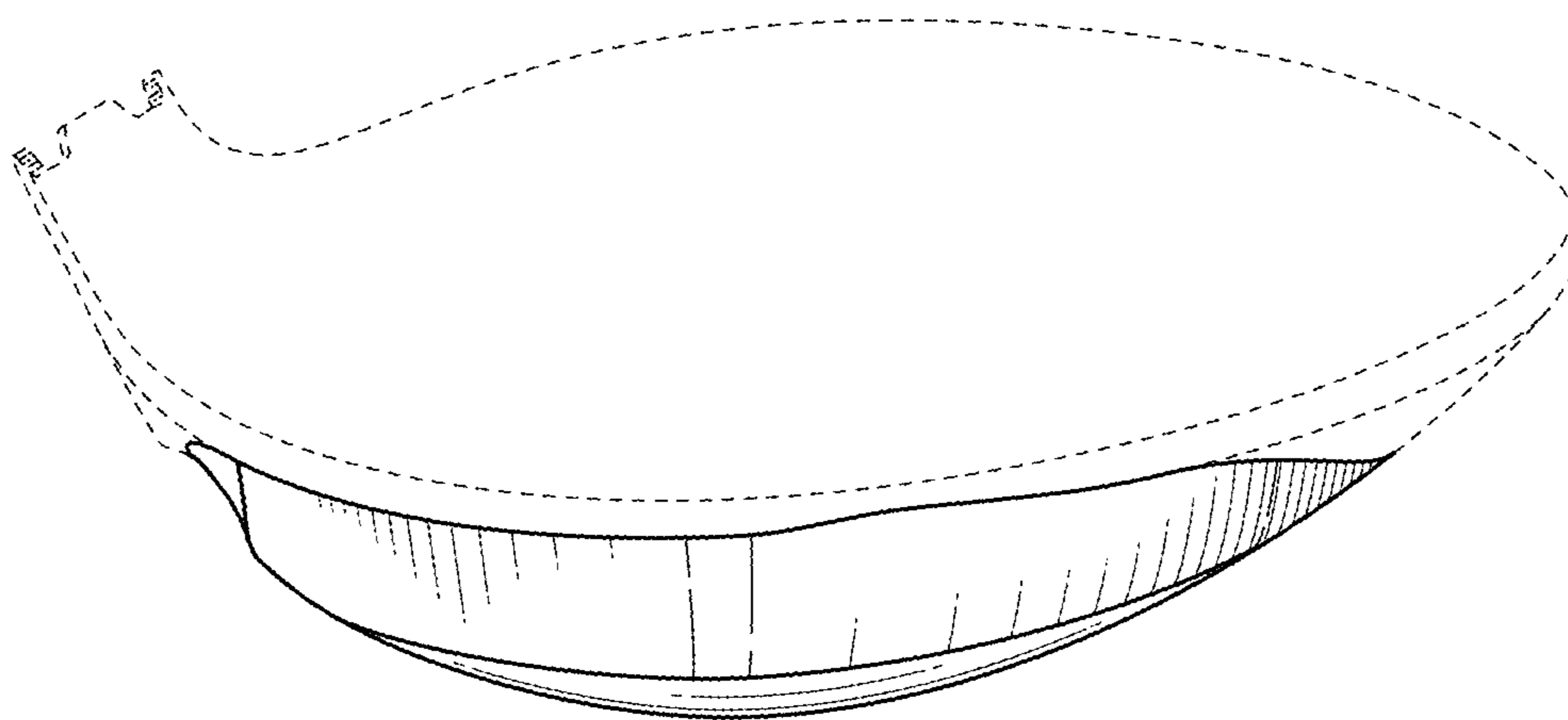


FIG. 3

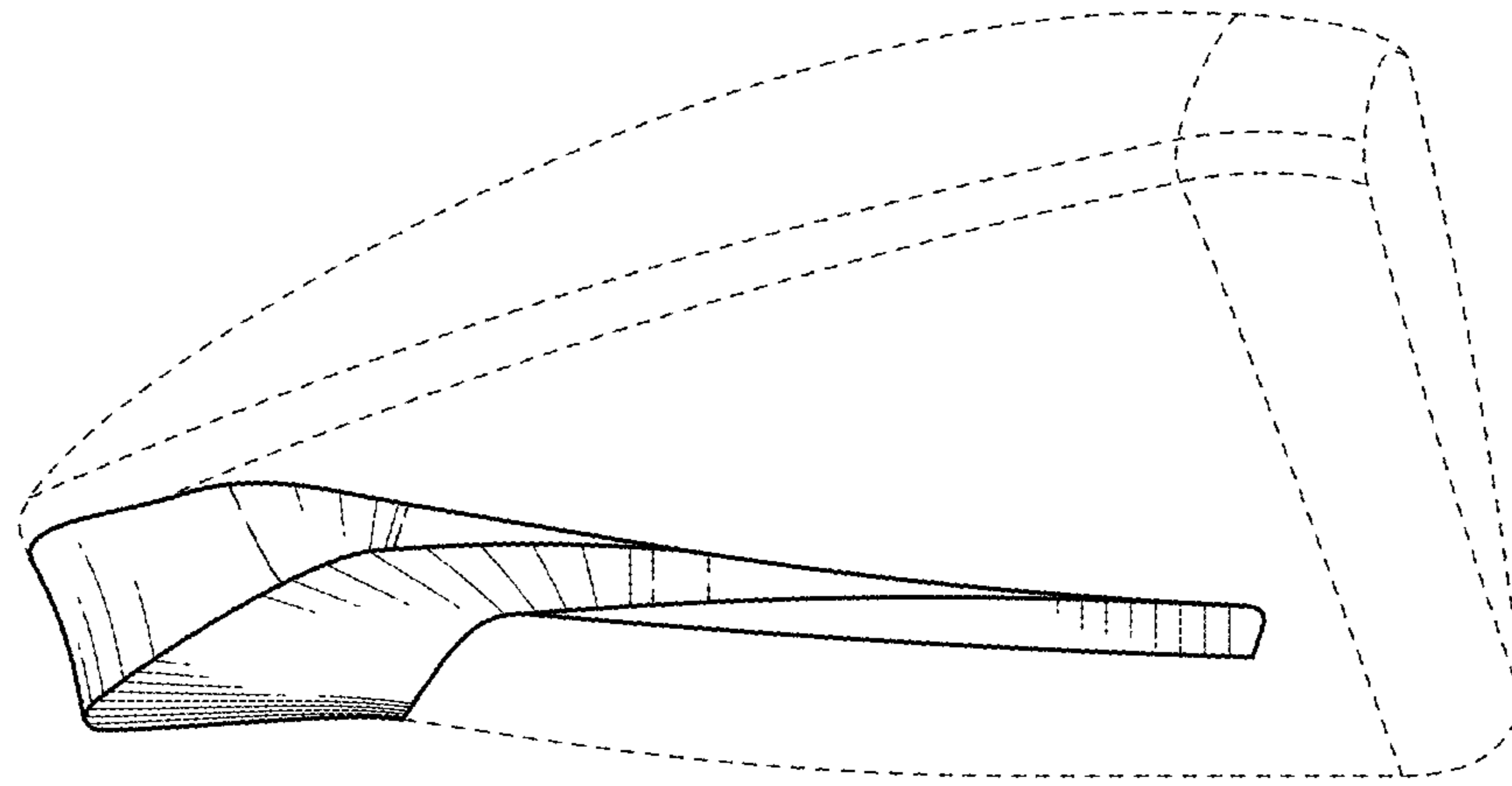


FIG. 4

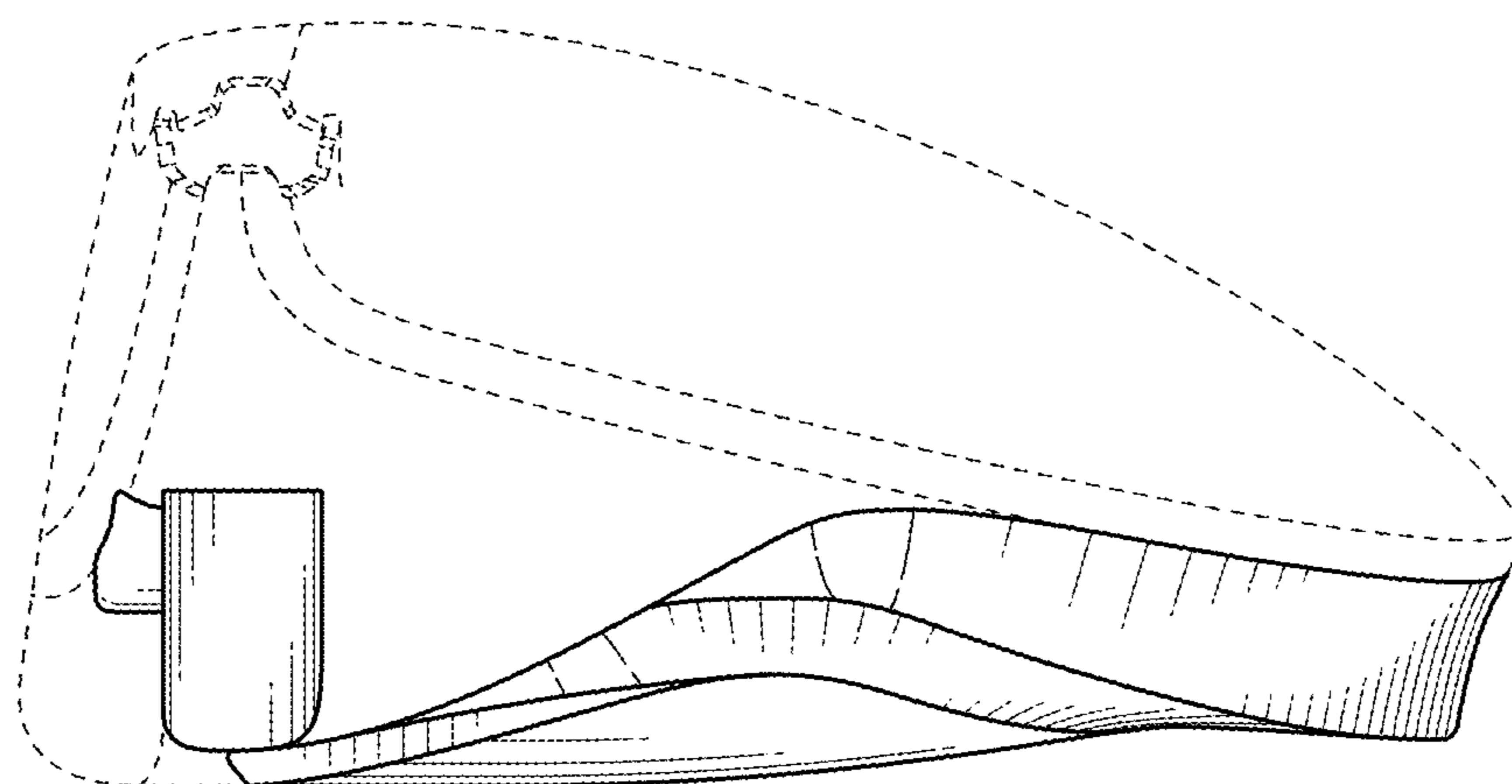


FIG. 5

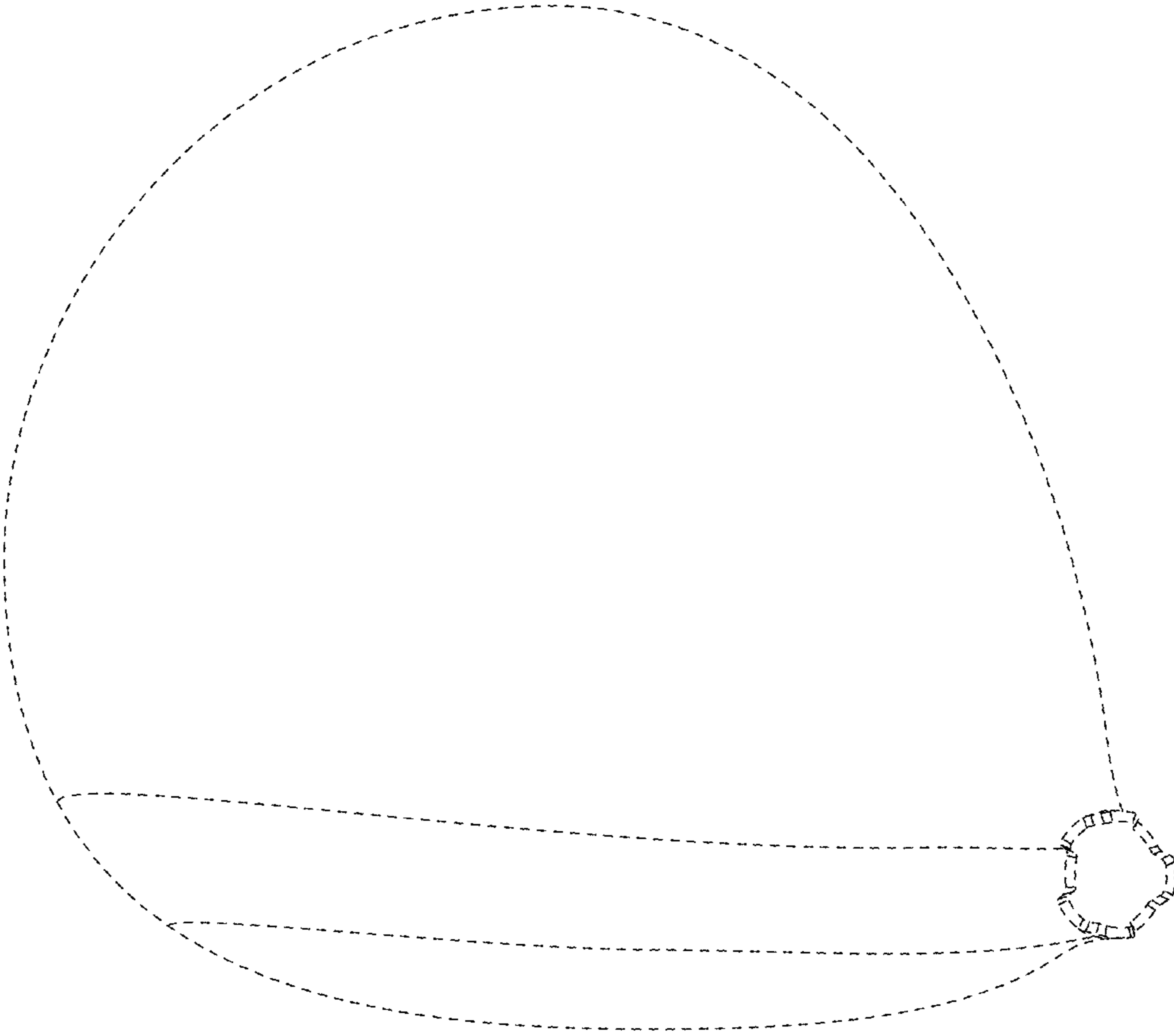


FIG. 6

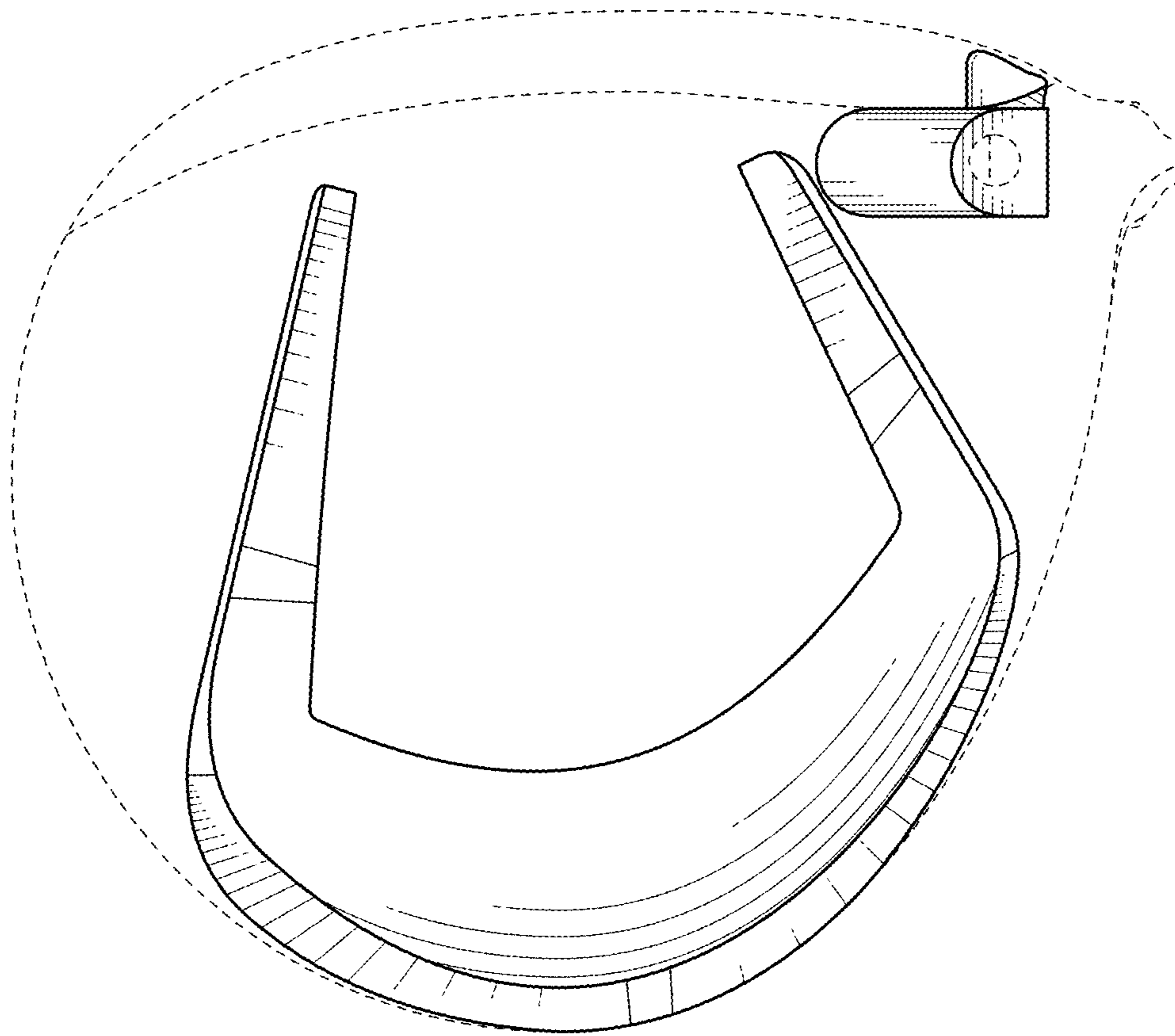


FIG. 7