



US00D796608S

(12) **United States Design Patent** (10) **Patent No.:** **US D796,608 S**
Davis et al. (45) **Date of Patent:** **** Sep. 5, 2017**

- (54) **GOLF GRIP CAP**
- (71) Applicant: **Eaton Corporation**, Cleveland, OH (US)
- (72) Inventors: **Stephen James Davis**, Pinehurst, NC (US); **LingYu Hsu**, Tainan (TW); **Rita Chang**, Tainan (TW); **Jack Kao**, Tainan (TW)
- (73) Assignee: **EATON CORPORATION**, Cleveland, OH (US)
- (**) Term: **15 Years**
- (21) Appl. No.: **29/561,166**
- (22) Filed: **Apr. 14, 2016**
- (51) **LOC (10) Cl.** **21-02**
- (52) **U.S. Cl.**
USPC **D21/756**
- (58) **Field of Classification Search**
USPC D21/756-758, 759, 789
CPC A63B 53/14; A63B 60/06; A63B 60/00; A63B 60/46; A63B 60/16
See application file for complete search history.

- (56) **References Cited**
- U.S. PATENT DOCUMENTS
- 2,261,959 A * 11/1941 Buttikofer A63B 57/207 473/285
- 4,239,216 A * 12/1980 Bauer A63B 57/00 224/918
- D319,278 S * 8/1991 Tosti D21/756
- D329,013 S * 9/1992 Stoner, Jr. D8/395
- D530,767 S * 10/2006 Davis D21/794
- D534,604 S * 1/2007 Norton D21/756
- D534,607 S * 1/2007 Norton D21/756
- D534,975 S * 1/2007 Norton D21/756
- D538,868 S * 3/2007 Norton D21/756
- D547,406 S * 7/2007 Noyes D21/756

- D576,240 S * 9/2008 Chen D21/756
- D576,241 S * 9/2008 Chen D21/756
- D581,001 S * 11/2008 Chen D21/756
- D581,002 S * 11/2008 Chen D21/756
- D592,262 S * 5/2009 Devaney D21/756
- D592,263 S * 5/2009 Devaney D21/756
- D592,264 S * 5/2009 Devaney D21/756
- D592,265 S * 5/2009 Devaney D21/756
- D592,266 S * 5/2009 Devaney D21/756
- D592,267 S * 5/2009 Devaney D21/756
- D595,378 S * 6/2009 Devaney D21/756
- D595,379 S * 6/2009 Devaney D21/756
- D595,796 S * 7/2009 Devaney D21/756
- D597,622 S * 8/2009 Devaney D21/756

(Continued)

Primary Examiner — Mitchell Siegel
(74) *Attorney, Agent, or Firm* — Daniel S. Kalka

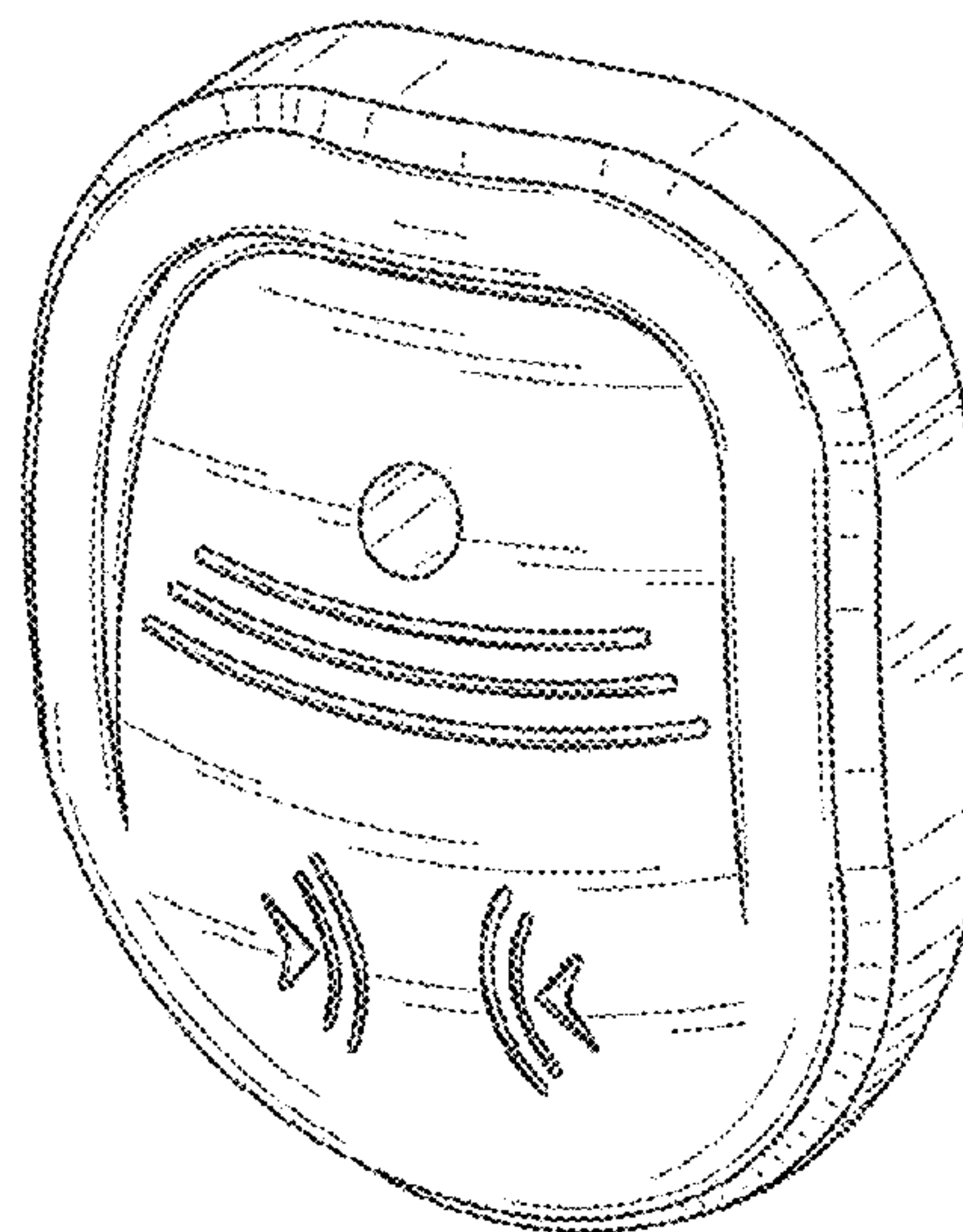
(57) **CLAIM**

The ornamental design for a golf grip cap, substantially as shown and described.

DESCRIPTION

FIG. 1 is a perspective view of the golf grip cap;
FIG. 2 is a front elevational view thereof;
FIG. 3 is a rear elevational view thereof;
FIG. 4 is a left side elevational view thereof;
FIG. 5 is a right side elevational view thereof;
FIG. 6 is a top plan view thereof;
FIG. 7 is a bottom plan view thereof;
FIG. 8 is a perspective view of a second embodiment of the golf club cap;
FIG. 9 is a front elevational view of FIG. 8;
FIG. 10 is a rear elevational view of FIG. 8;
FIG. 11 is a left side elevational view of FIG. 8;
FIG. 12 is a right side elevational view of FIG. 8;
FIG. 13 is a top plan view of FIG. 8; and,
FIG. 14 is a bottom plan view of FIG. 8.
The broken line showing is included for the purpose of illustrating and forms no part of the claimed design.

1 Claim, 6 Drawing Sheets



(56)

References Cited

U.S. PATENT DOCUMENTS

D668,728	S	*	10/2012	Savarese	D21/759
D670,778	S	*	11/2012	Savarese	D21/759
D680,604	S	*	4/2013	Garsen	D21/756
D760,853	S	*	7/2016	Wallin	D21/759
D763,378	S	*	8/2016	Wallin	D21/759
D765,741	S	*	9/2016	Manninen	D15/66
D768,251	S	*	10/2016	Giannatti	D21/756
2010/0203979	A1	*	8/2010	Hyman	A63B 53/14 473/285

* cited by examiner

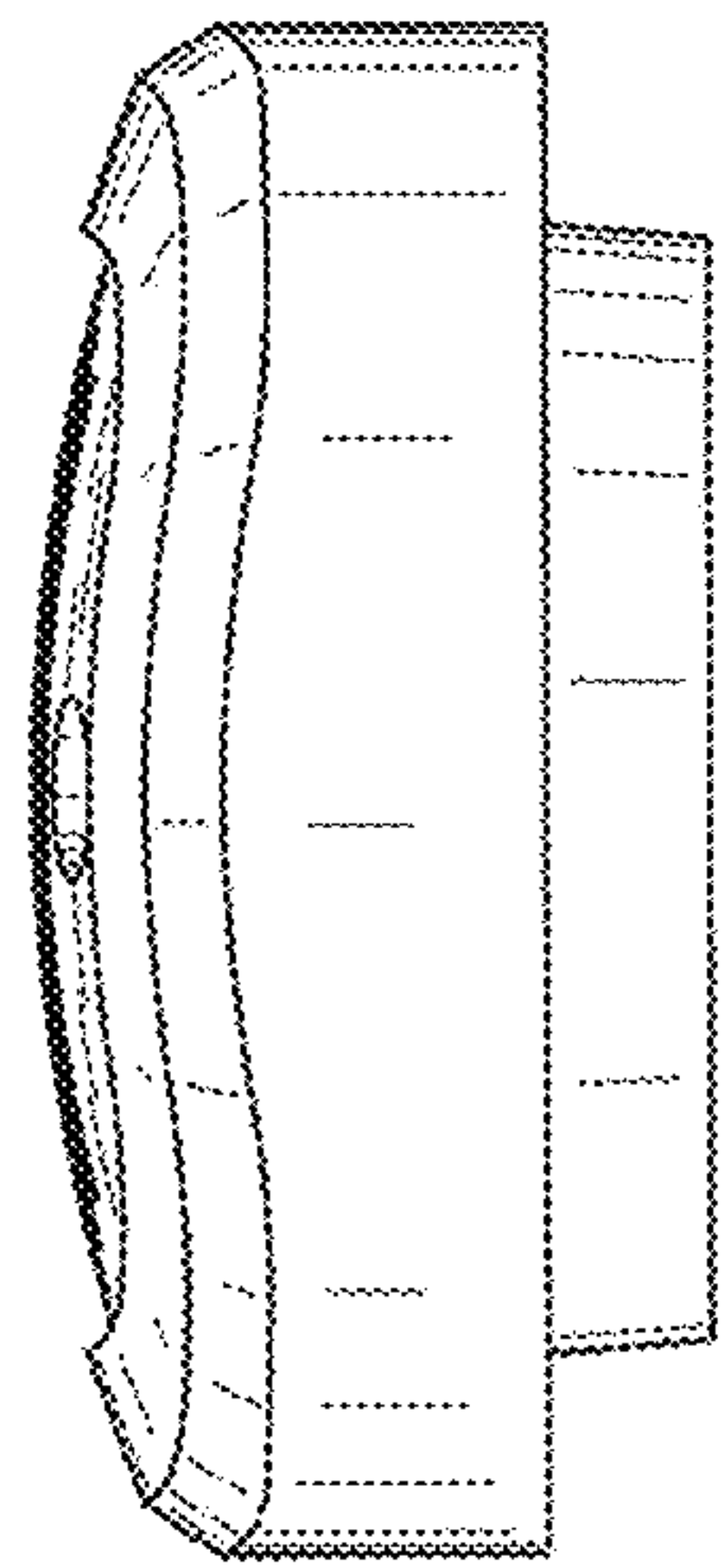


Fig.2

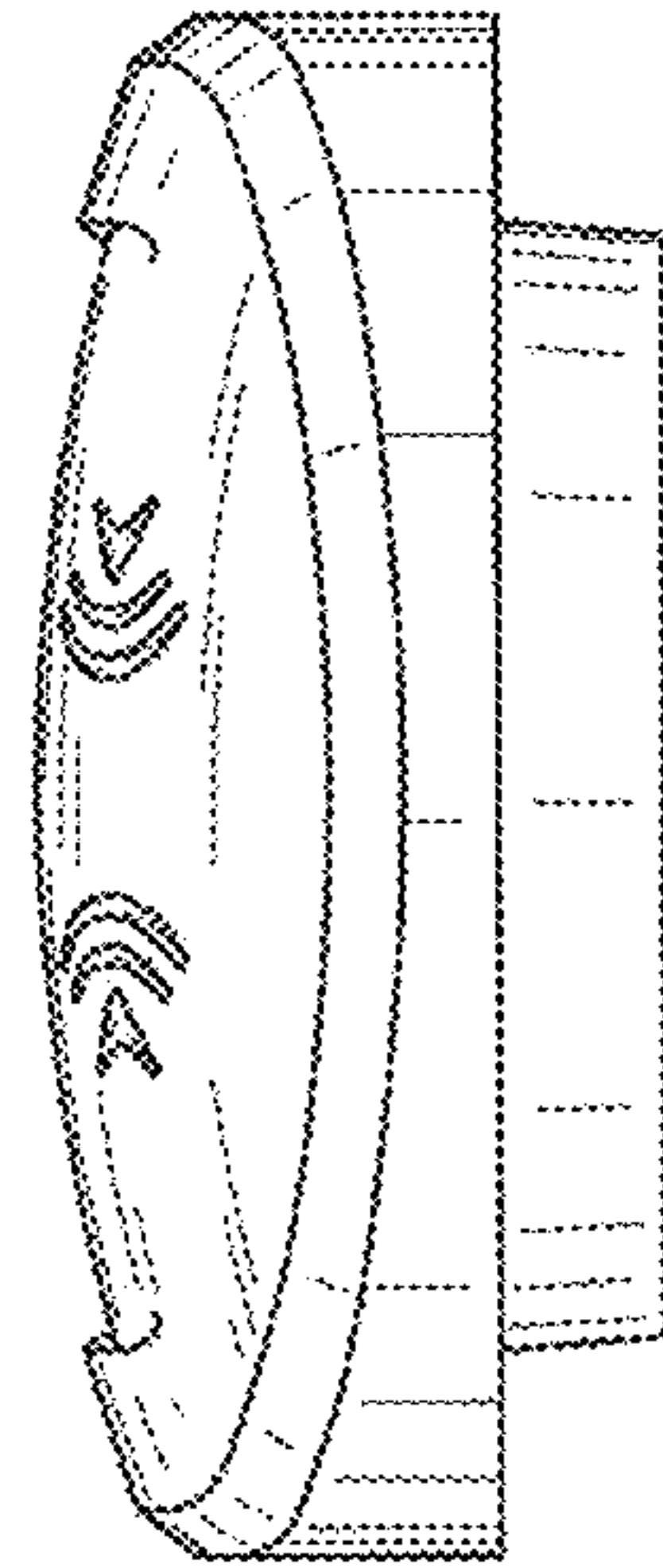


Fig.3

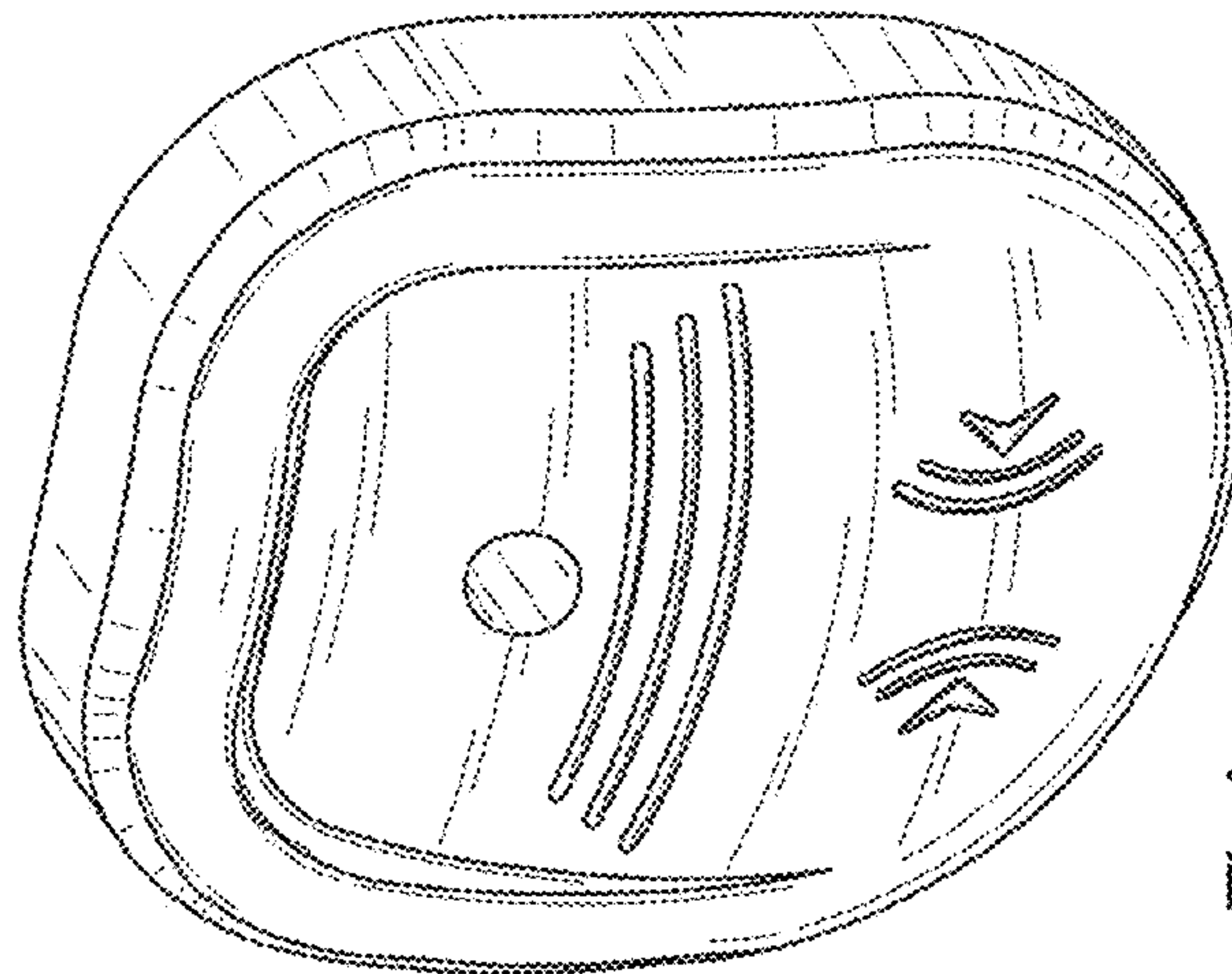


Fig.1

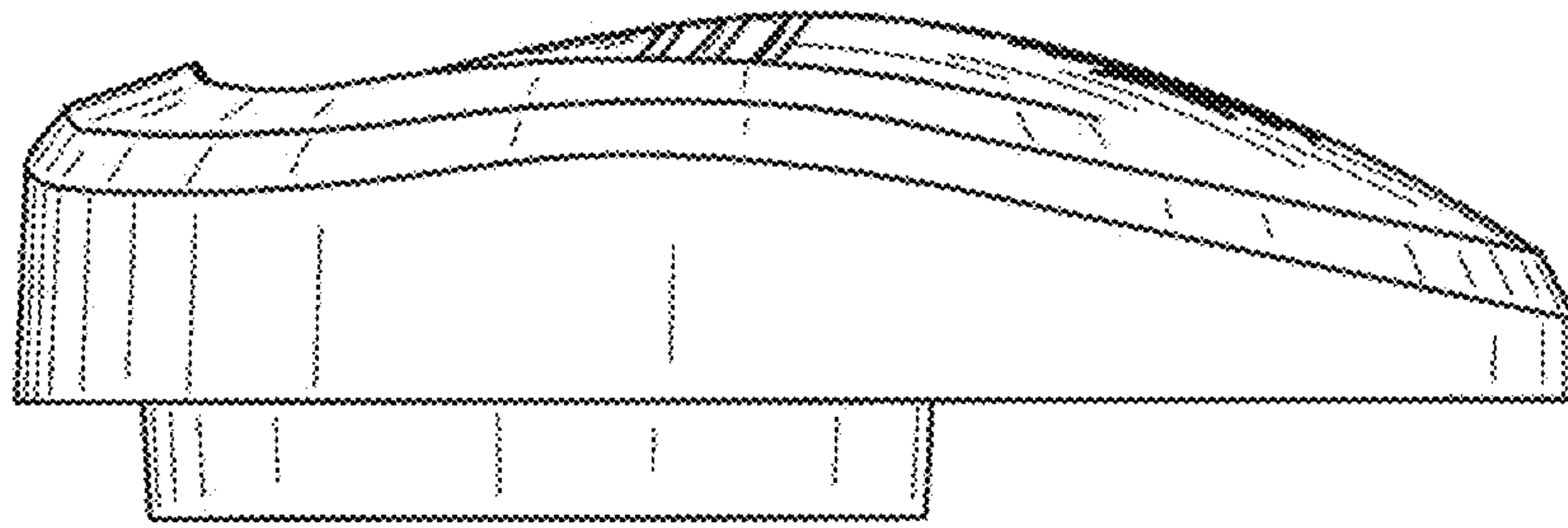


Fig.4

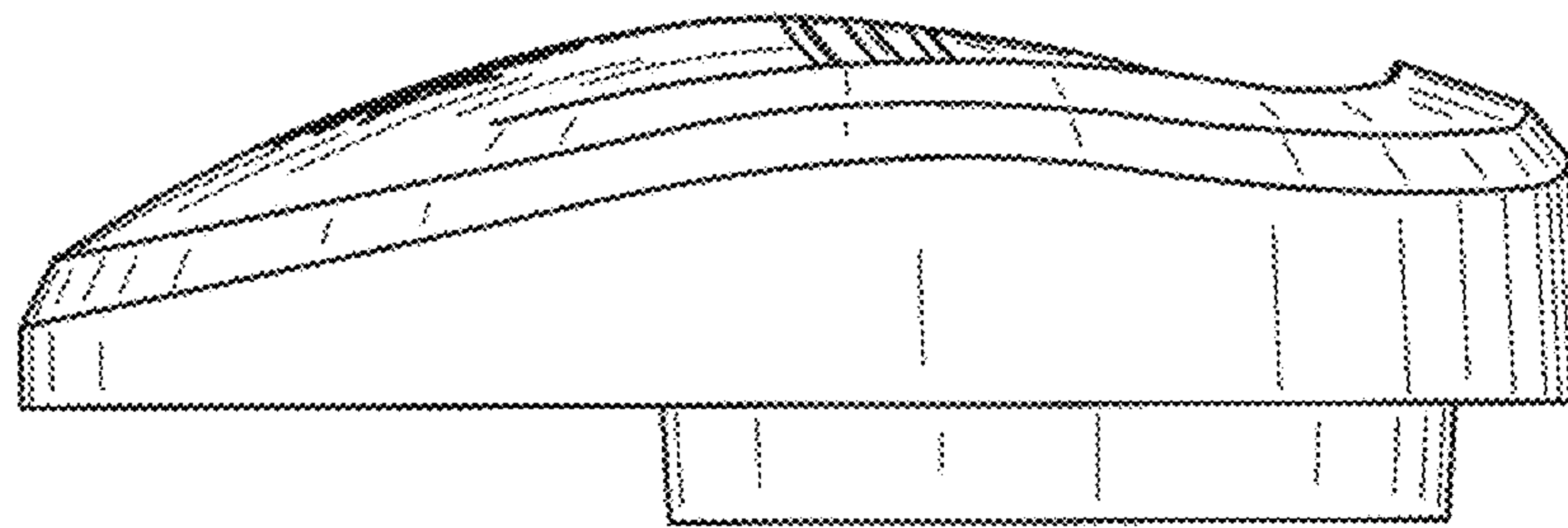


Fig.5

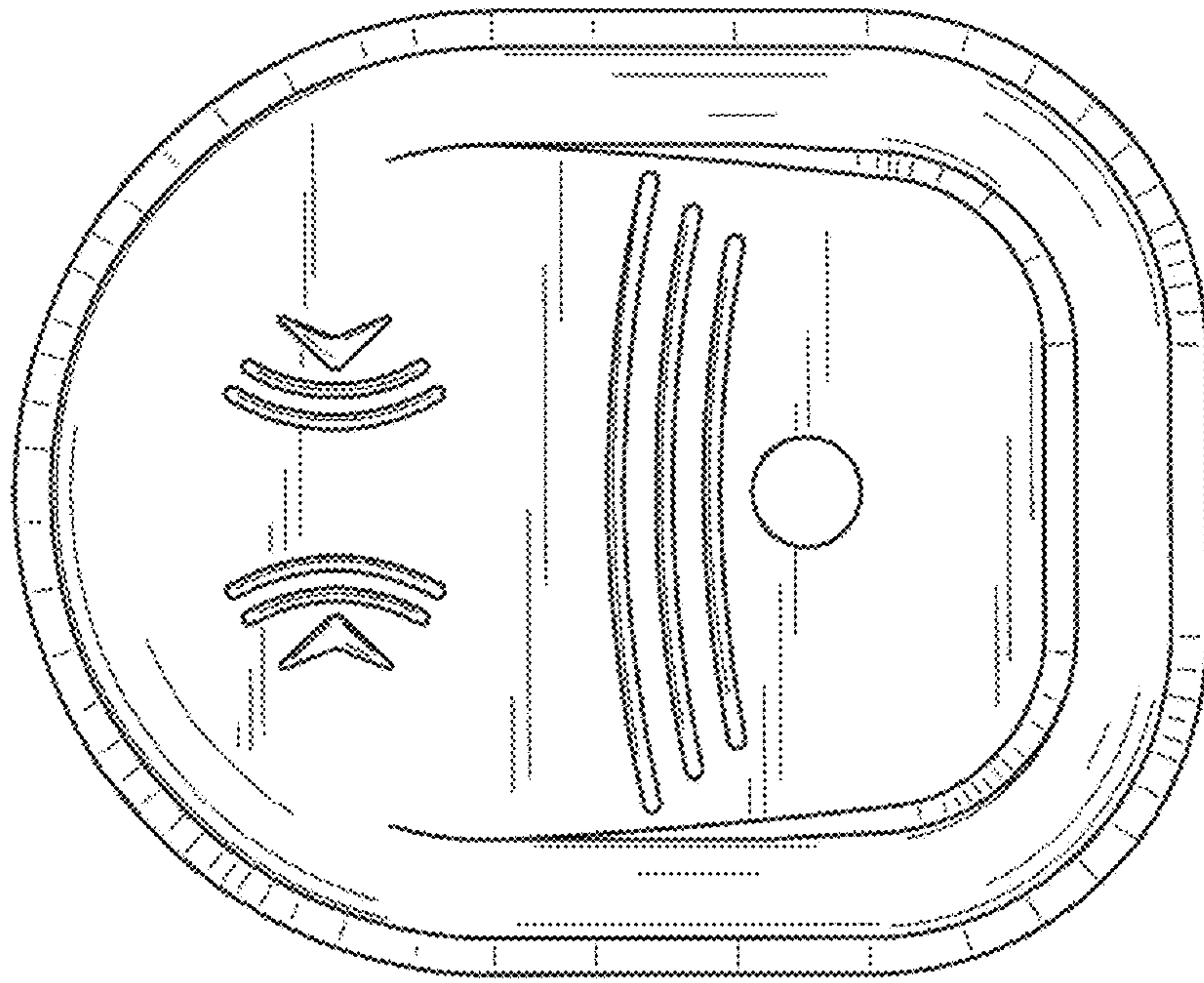


Fig.6

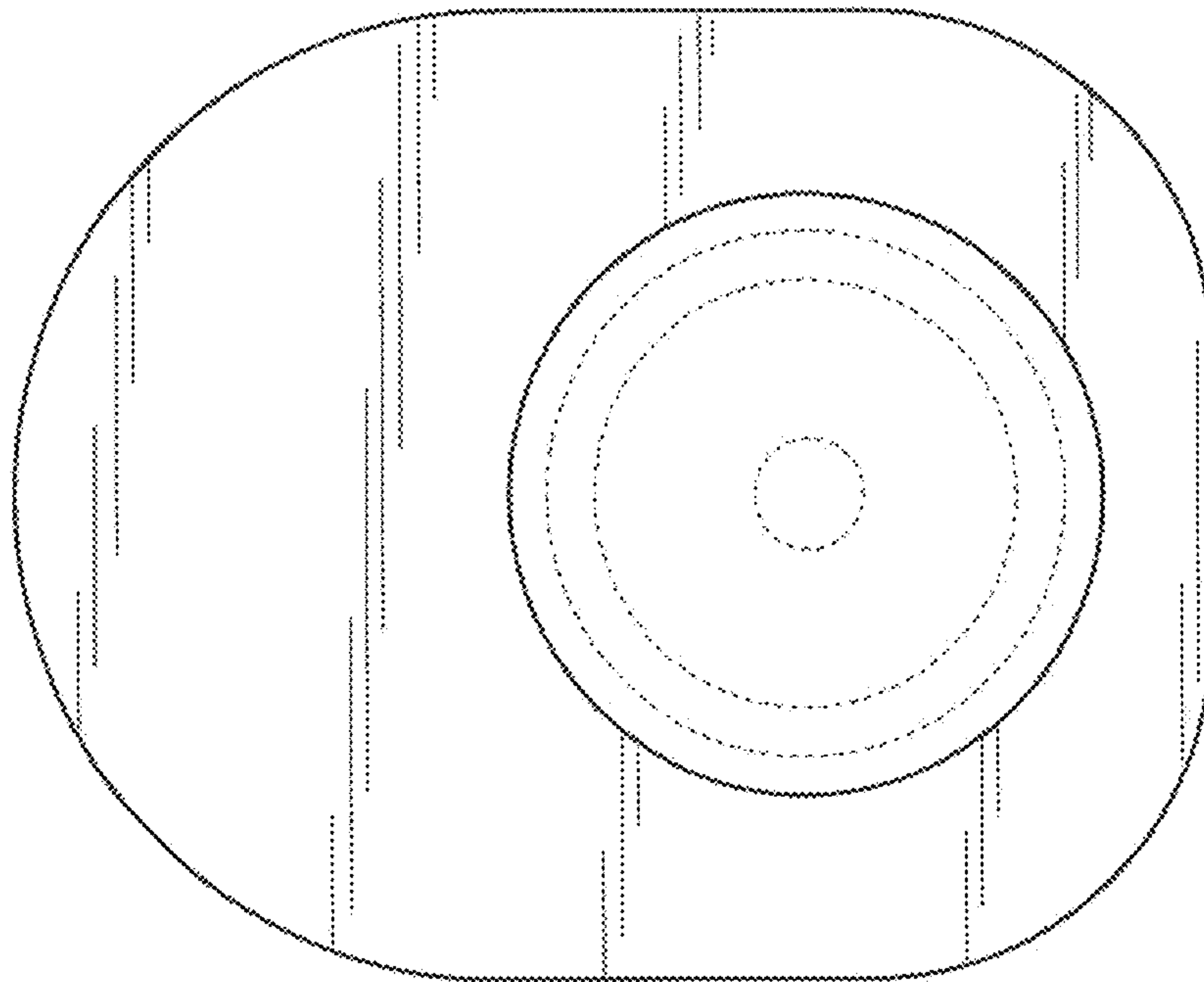


Fig.7

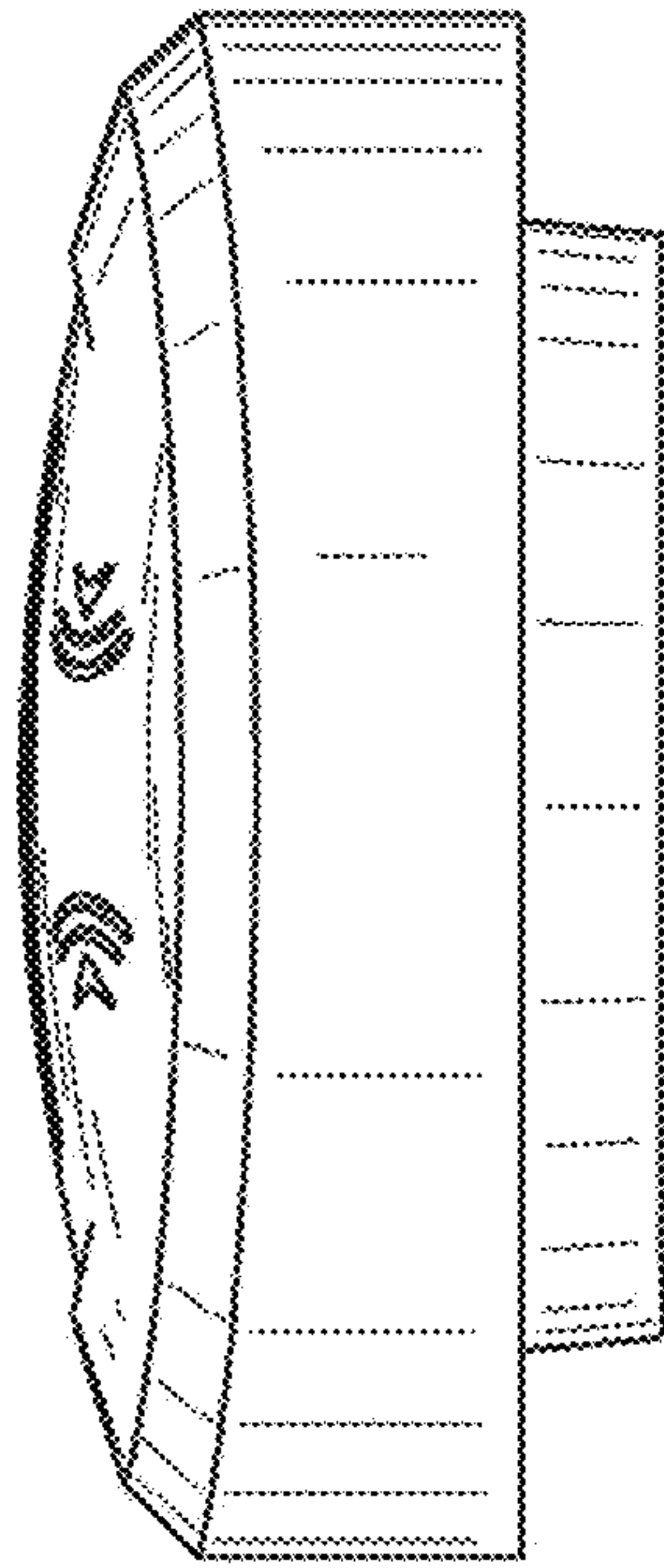


Fig.9

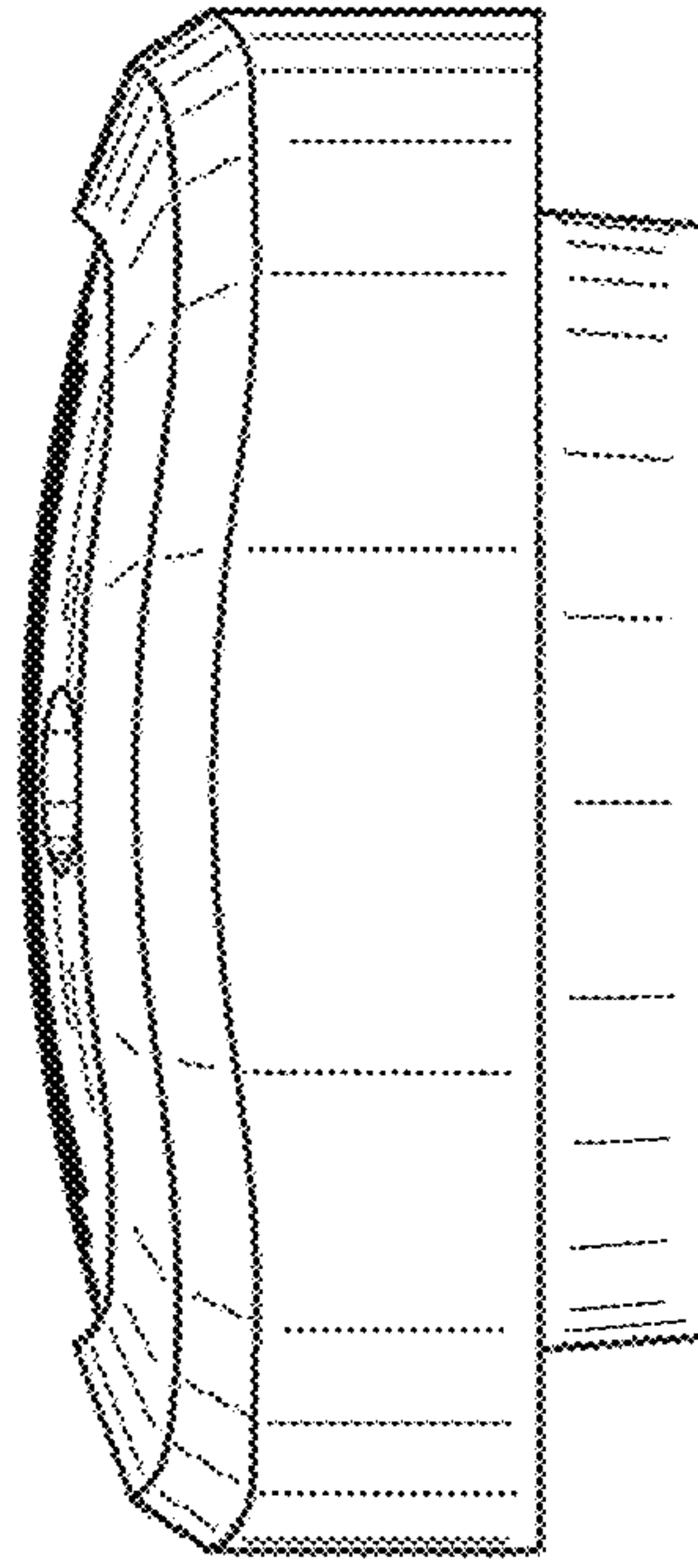


Fig.10

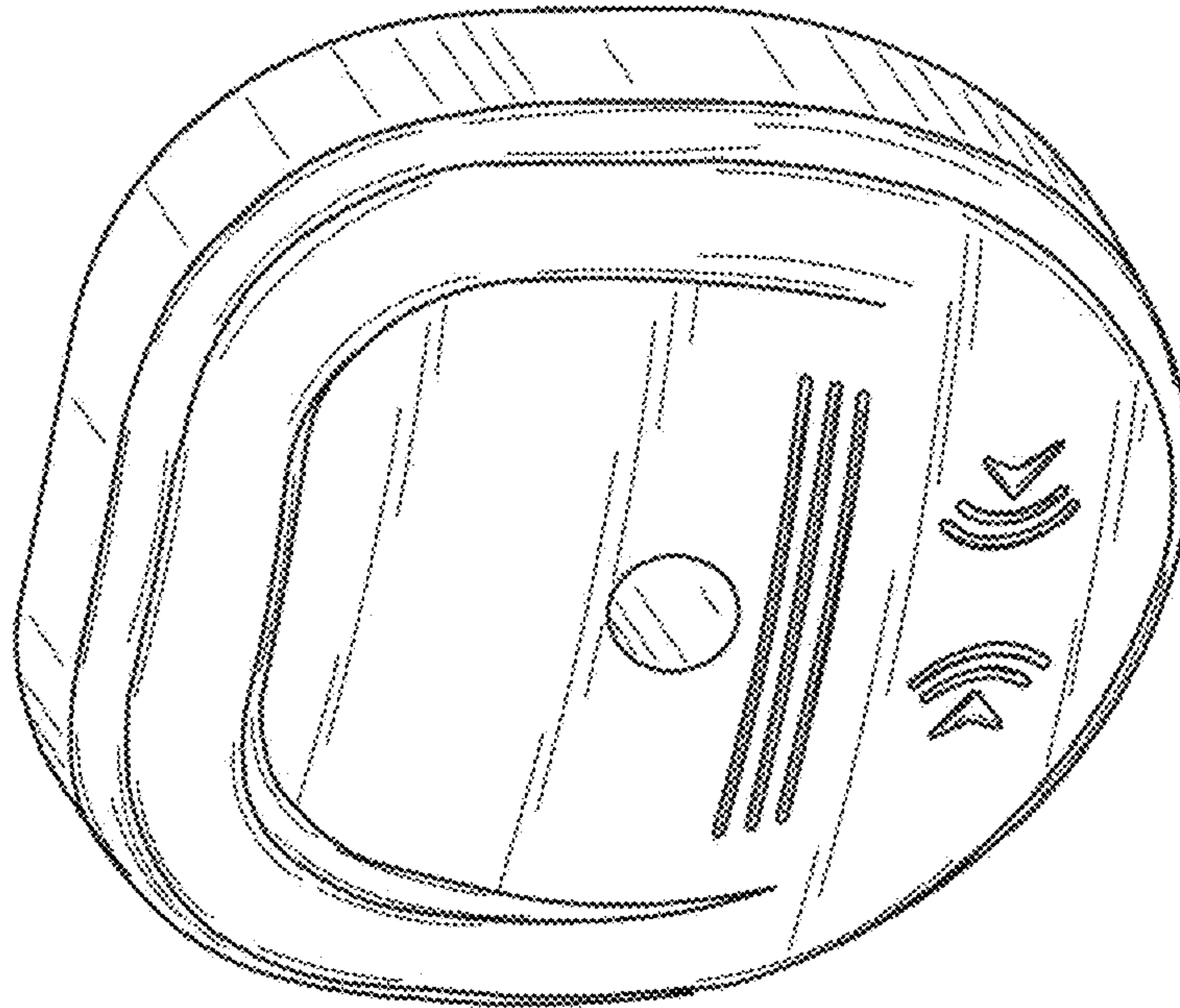


Fig.8

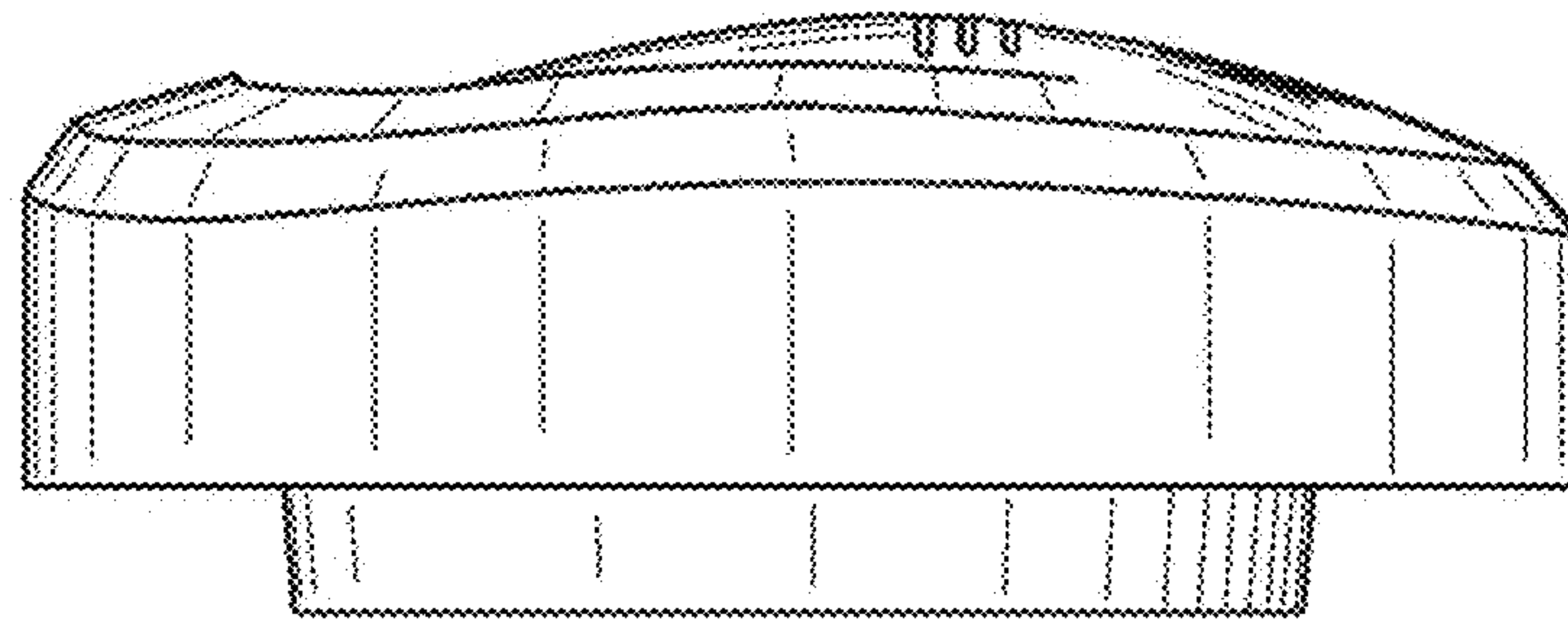


Fig.11

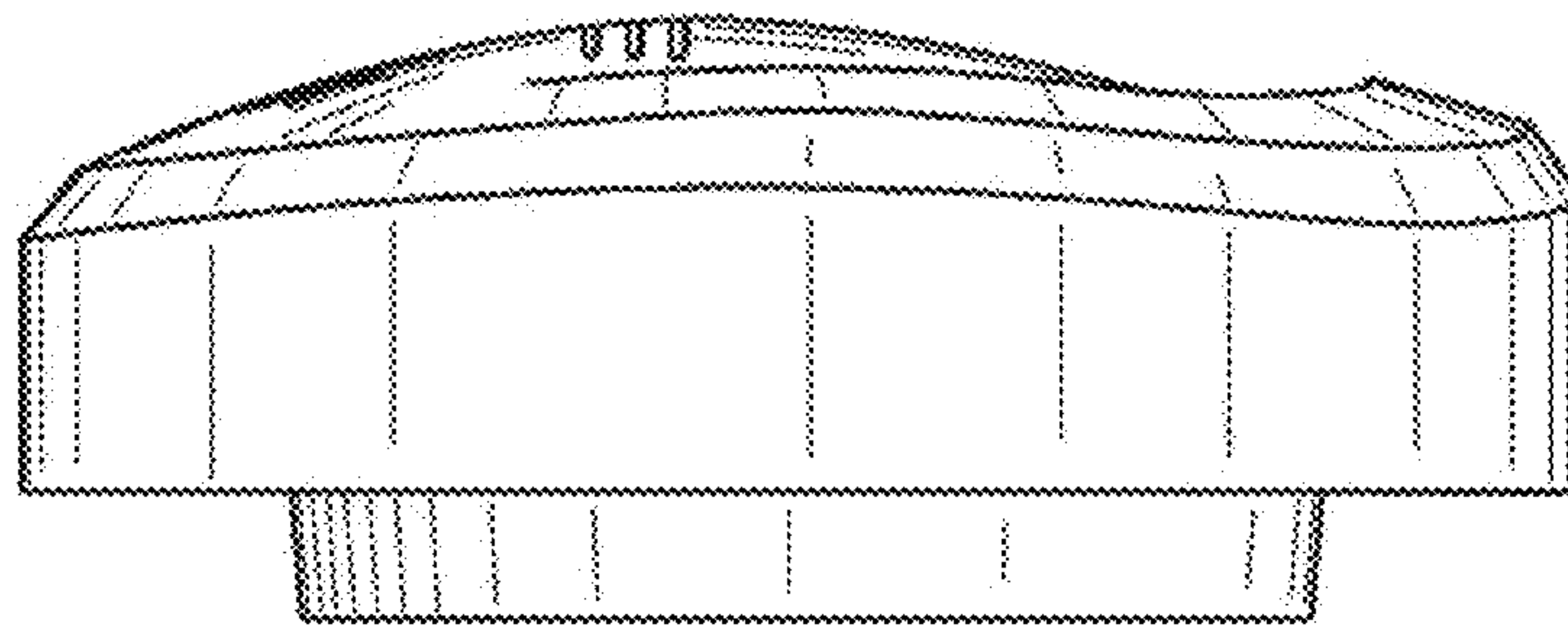


Fig.12

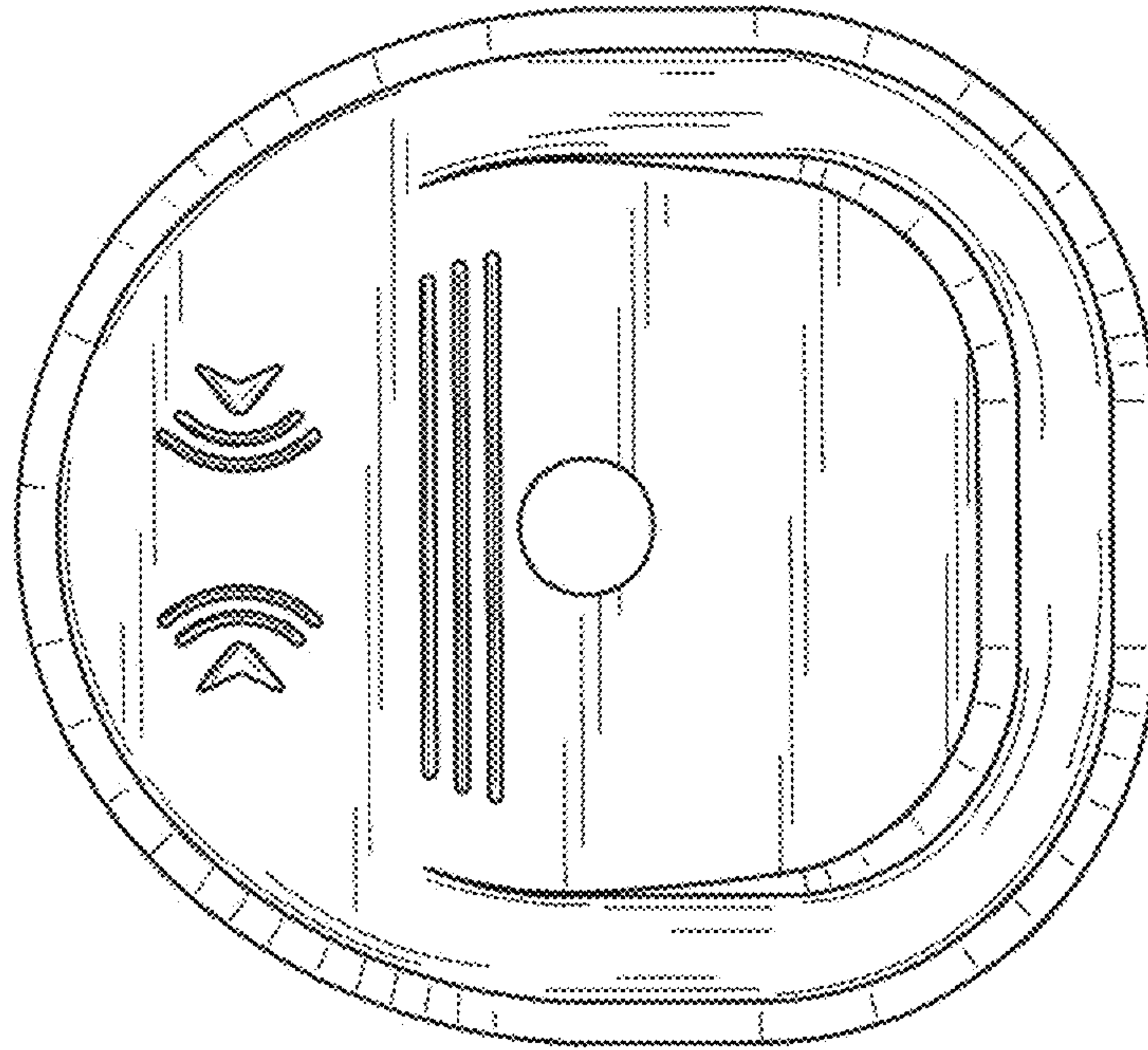


Fig.13

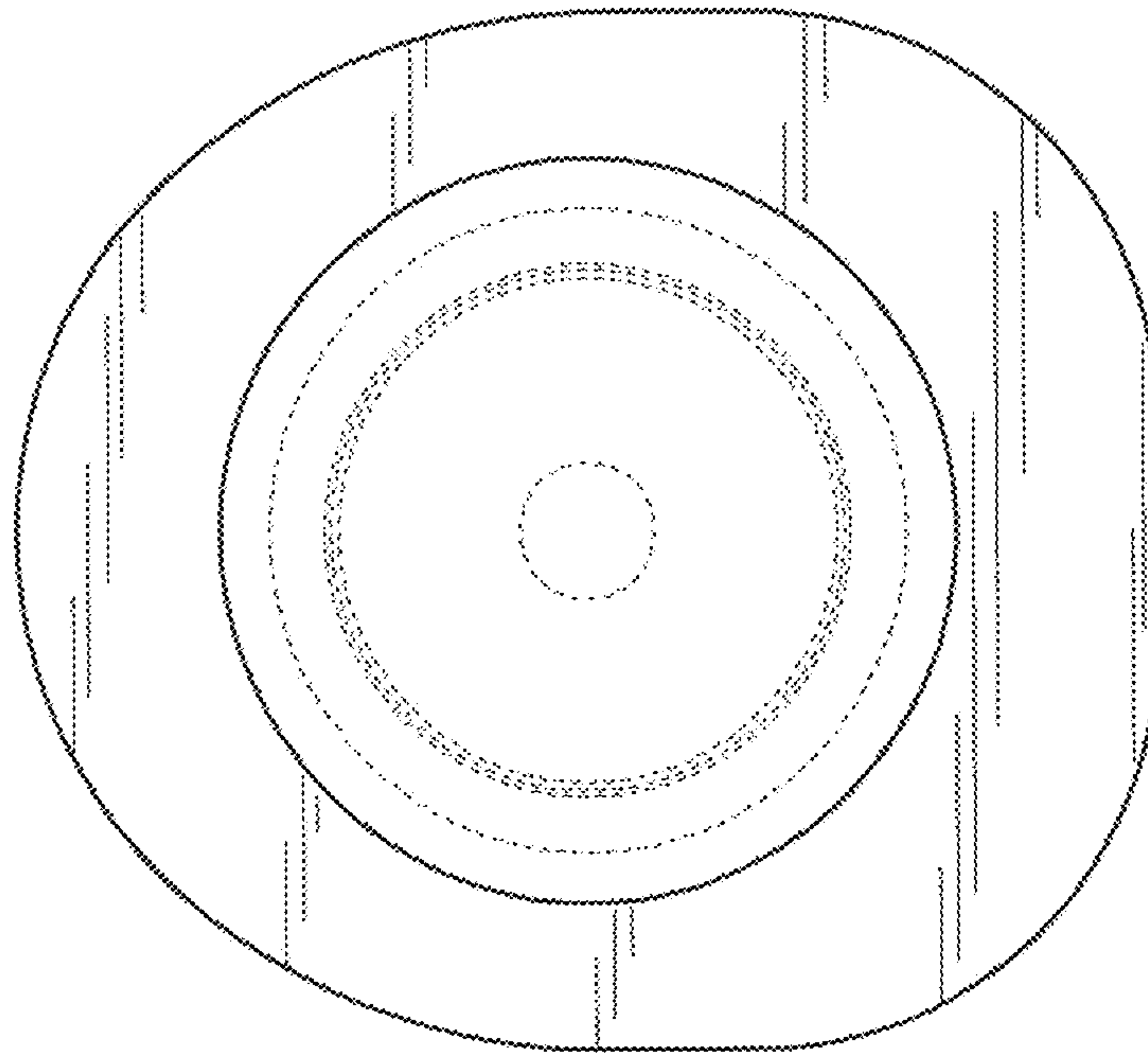


Fig.14