



US00D796607S

(12) **United States Design Patent** (10) **Patent No.:** **US D796,607 S**  
**Gaffney** (45) **Date of Patent:** **\*\* Sep. 5, 2017**

(54) **GOLF CLUB HEAD COVER WITH CLOSURE**

(71) Applicant: **J. Travis Gaffney**, Phoenix, AZ (US)

(72) Inventor: **J. Travis Gaffney**, Phoenix, AZ (US)

(\*\*) Term: **15 Years**

(21) Appl. No.: **29/553,147**

(22) Filed: **Jan. 28, 2016**

(51) **LOC (10) Cl.** ..... **21-02**

(52) **U.S. Cl.**  
USPC ..... **D21/754**

(58) **Field of Classification Search**  
USPC ..... D21/754  
CPC ..... A63B 60/62  
See application file for complete search history.

(56) **References Cited**

**U.S. PATENT DOCUMENTS**

3,426,815	A *	2/1969	Ashlin	.....	A63B 60/62
					150/160
D470,206	S *	2/2003	Bergling-Olson	.....	D21/754
D484,210	S *	12/2003	Oldknow	.....	D21/754
D485,879	S *	1/2004	Cameron	.....	D21/754
D508,101	S *	8/2005	Chen	.....	D21/754
D527,435	S *	8/2006	Chen	.....	D21/754
D527,779	S *	9/2006	Chen	.....	D21/754
D529,113	S *	9/2006	Chen	.....	D21/754
D549,294	S *	8/2007	Cameron	.....	D21/754
D561,858	S *	2/2008	Chen	.....	D21/754
D576,238	S *	9/2008	Chen	.....	D21/754
D576,239	S *	9/2008	Chen	.....	D21/754
D585,512	S *	1/2009	Quartarone, III	.....	D21/754
D590,901	S *	4/2009	Chen	.....	D21/754
D617,404	S *	6/2010	McGuire	.....	D21/754
D617,862	S *	6/2010	McGuire	.....	D21/754

(Continued)

**FOREIGN PATENT DOCUMENTS**

GB	1397252	A	6/1975
JP	9084910	A	3/1997

**OTHER PUBLICATIONS**

Seemore.com, "Black SB Headcover w/Pocket Velcro Closure", Apr. 12, 2013, Publisher: <http://www.seemore.com/accessories/headcovers/sb-head-covers-rh-only/right-hand-black-sb-head-cover-w-pocket-velcro-closure.html>, Published in: US.

(Continued)

*Primary Examiner* — Mitchell Siegel

(74) *Attorney, Agent, or Firm* — IPTechLaw

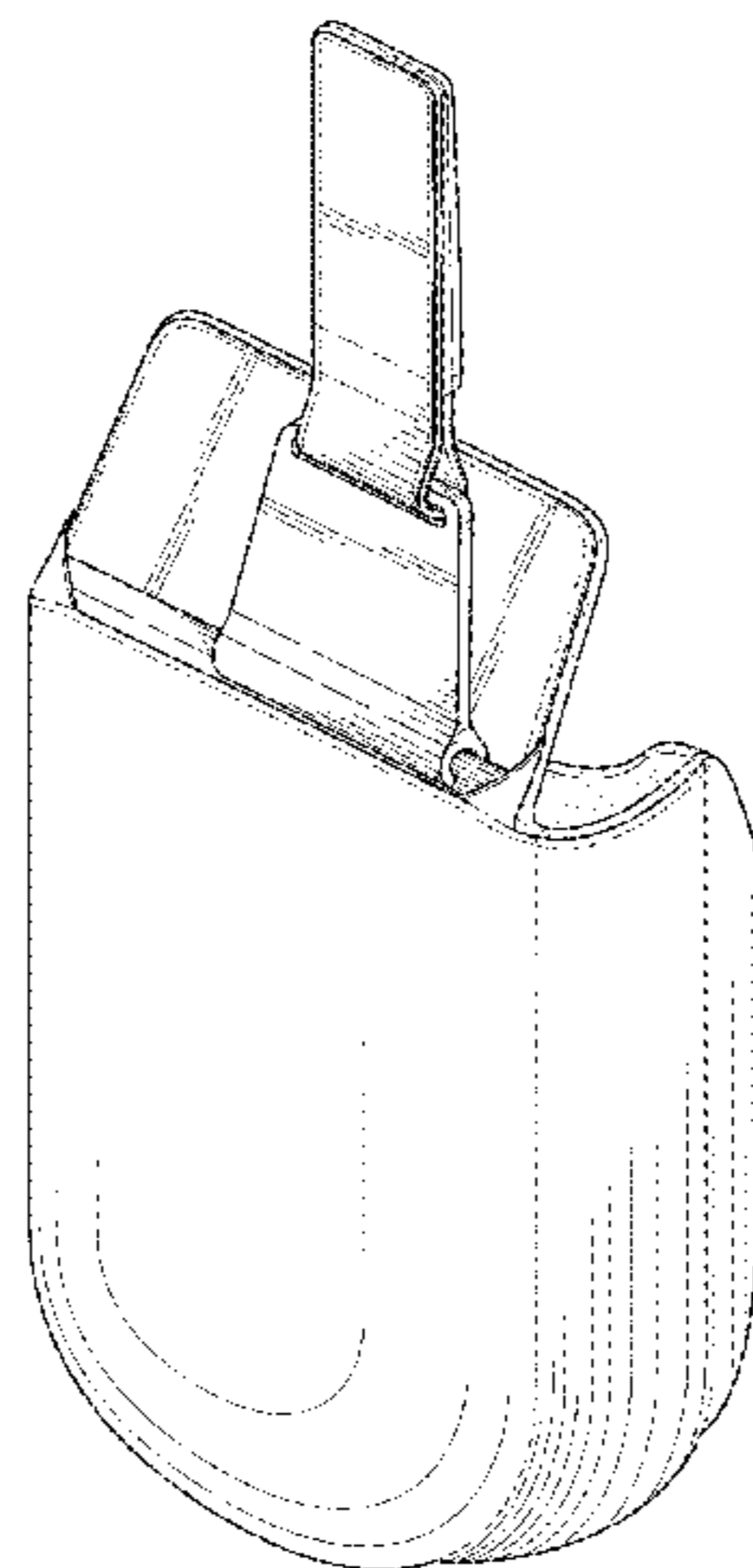
(57) **CLAIM**

The ornamental design for a golf club head cover with closure, as shown and described.

**DESCRIPTION**

FIG. 1 is a rear top perspective view of a golf club head cover with closure shown in an open configuration; FIG. 2 is a rear view thereof; FIG. 3 is a front view thereof; FIG. 4 is a left side view thereof; FIG. 5 is a right side view thereof; FIG. 6 is a top view thereof; FIG. 7 is a bottom view thereof; FIG. 8 is a rear view thereof with the closure element disclosed in an alternate position from FIG. 2; FIG. 9 is another rear view thereof with the closure element disclosed in an alternate position from FIG. 2 and FIG. 8; FIG. 10 is a rear view of FIG. 1 shown in a closed configuration; and, FIG. 11 is another rear view of FIG. 10 with the closure element shown in an alternate position. The broken line showing of stitching and seams of the golf club head cover with closure is for the purpose of illustrating portions of the article to which the design is applied, and forms no part of the claimed design.

**1 Claim, 7 Drawing Sheets**



(56)

**References Cited**

U.S. PATENT DOCUMENTS

D631,113	S *	1/2011	Chen	.....	D21/754
D631,114	S *	1/2011	Chen	.....	D21/754
D634,802	S *	3/2011	Chen	.....	D21/754
D635,210	S *	3/2011	Chen	.....	D21/754
D639,365	S *	6/2011	Chen	.....	D21/754
D647,154	S *	10/2011	Low	.....	D21/754
D656,571	S *	3/2012	Low	.....	D21/754
D659,783	S *	5/2012	Serrano	.....	D21/754
8,844,588	B2 *	9/2014	Low	.....	A63B 55/007 15/113
2006/0287122	A1	12/2006	Ray		
2007/0068611	A1	3/2007	Hwang		
2009/0188593	A1	7/2009	Cameron		
2011/0048596	A1	3/2011	Low		

OTHER PUBLICATIONS

Pro-Tekt, "Golfers Club Pro Tekt Neoprene Velcro Iron Covers",  
Apr. 12, 2013, Publisher: <http://www.golfgeardirect.co.uk/shop/accessories/golf-headcovers/golfers-club-headcovers/golfers-club-pro-tekt-neoprene-1034586.html>, Published in: US.

\* cited by examiner

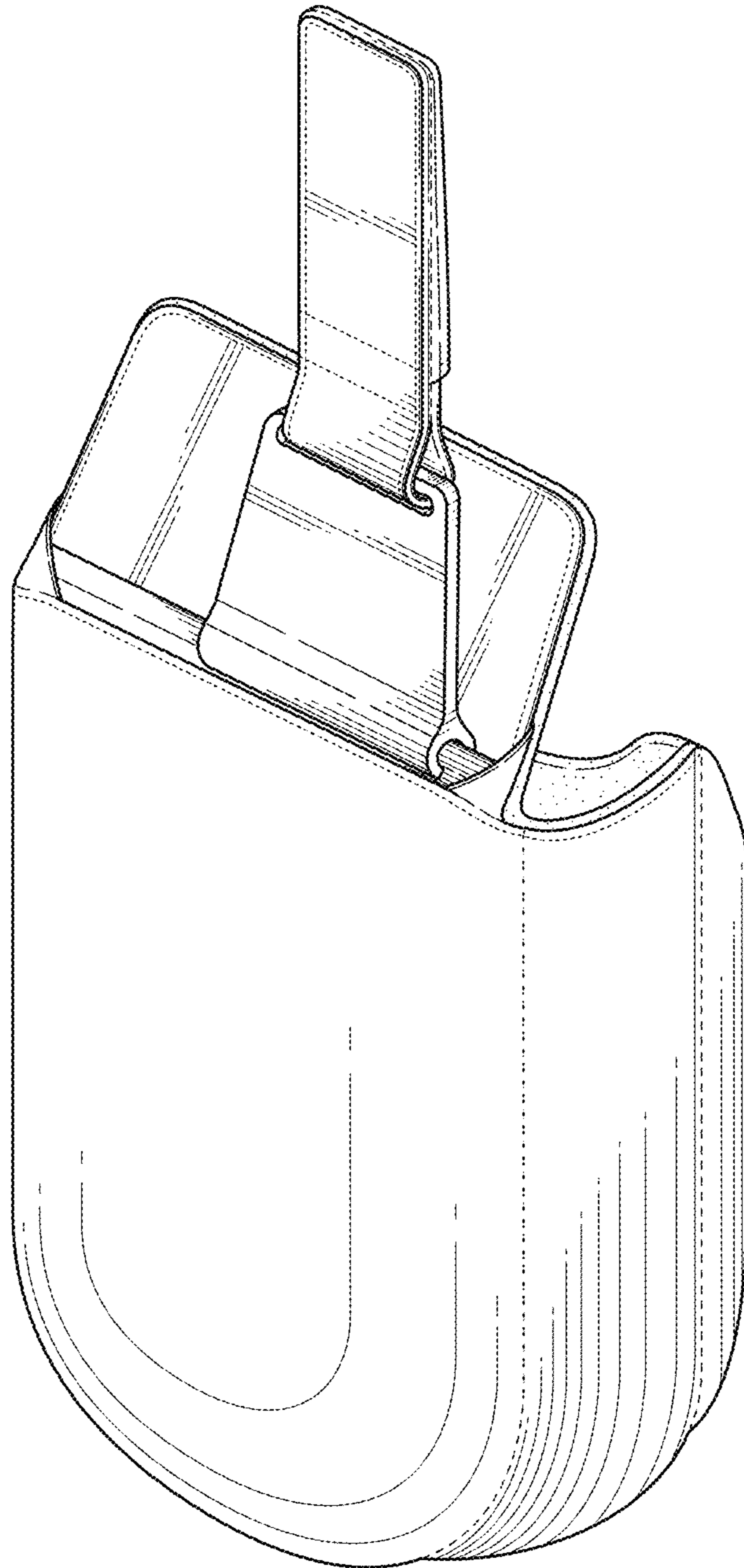


FIG. 1

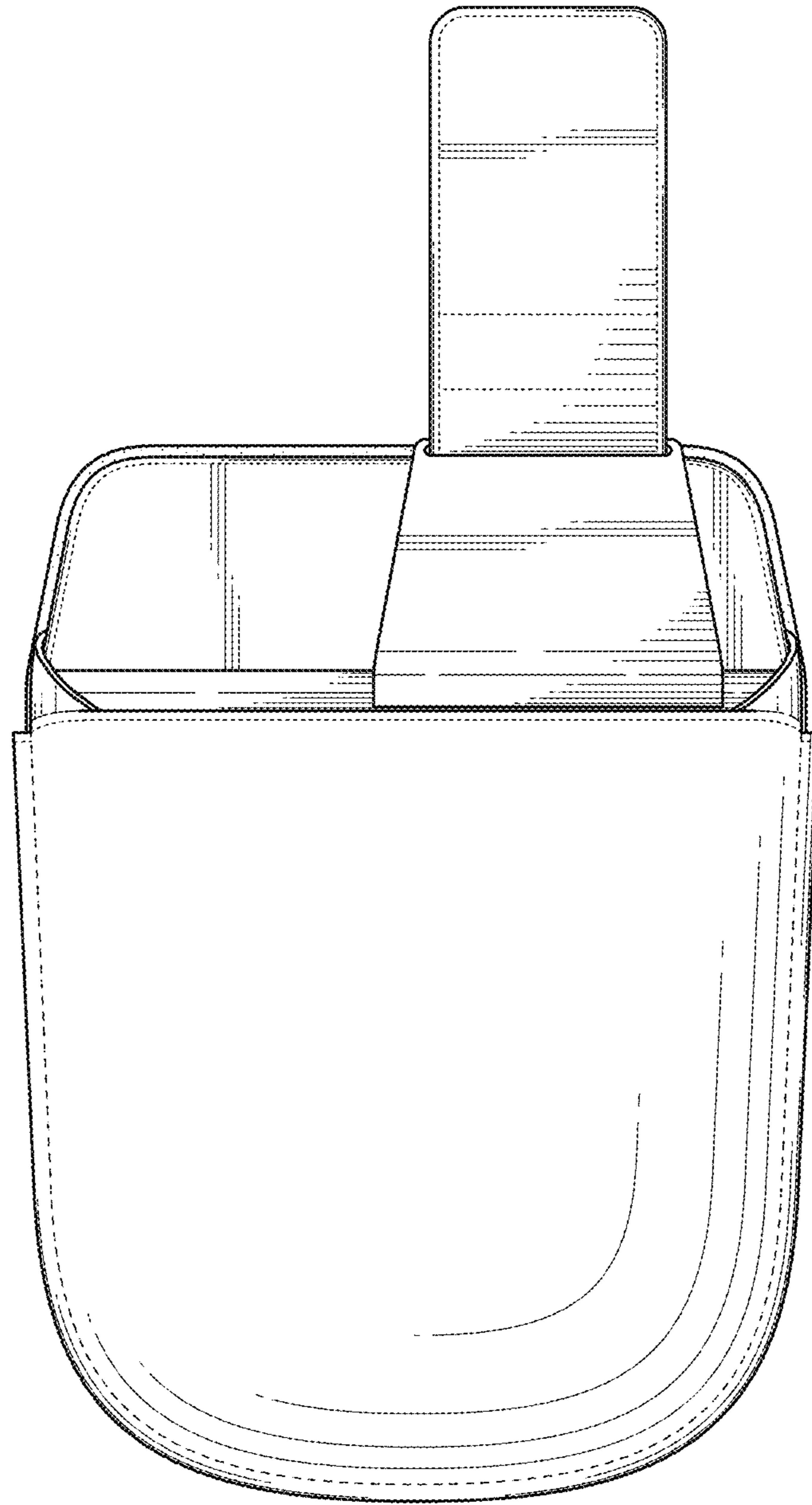


FIG. 2

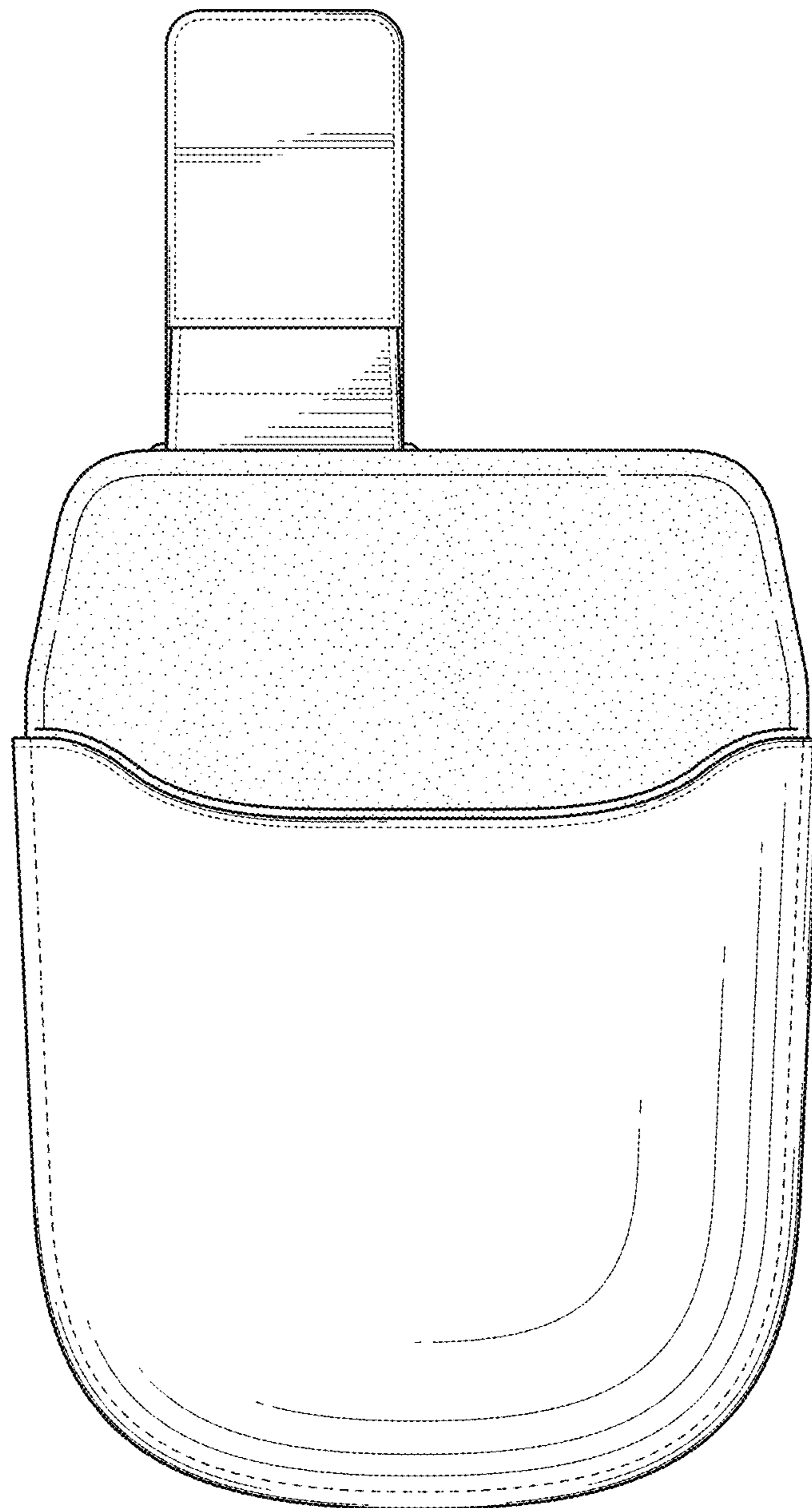


FIG. 3

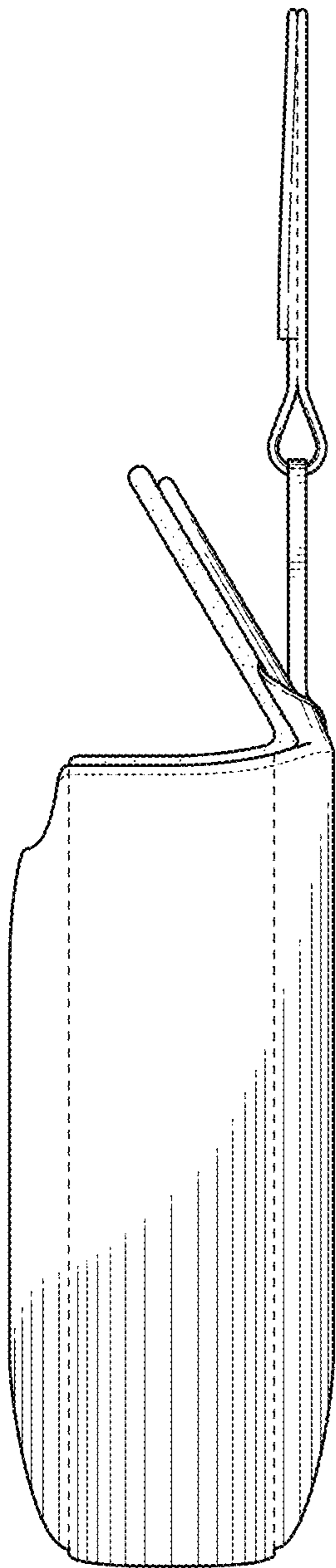


FIG. 4

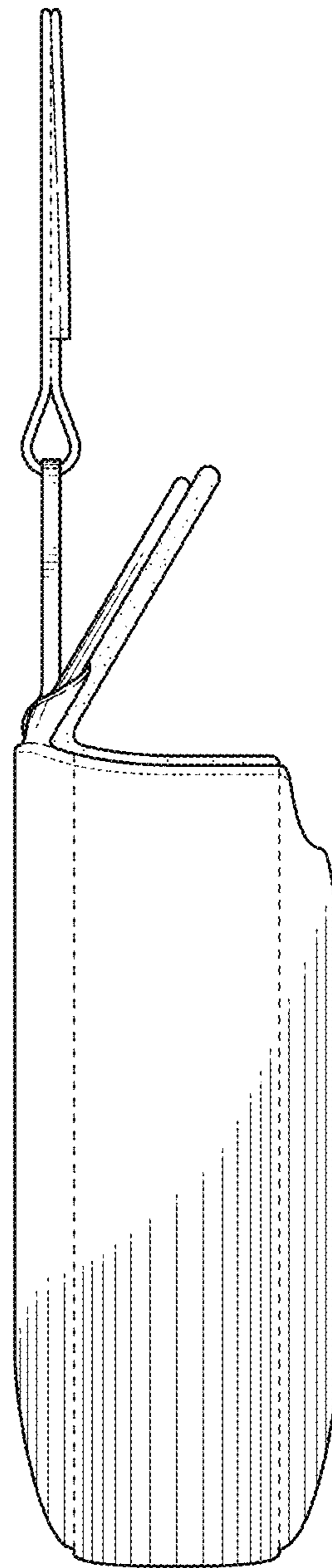


FIG. 5



FIG. 6

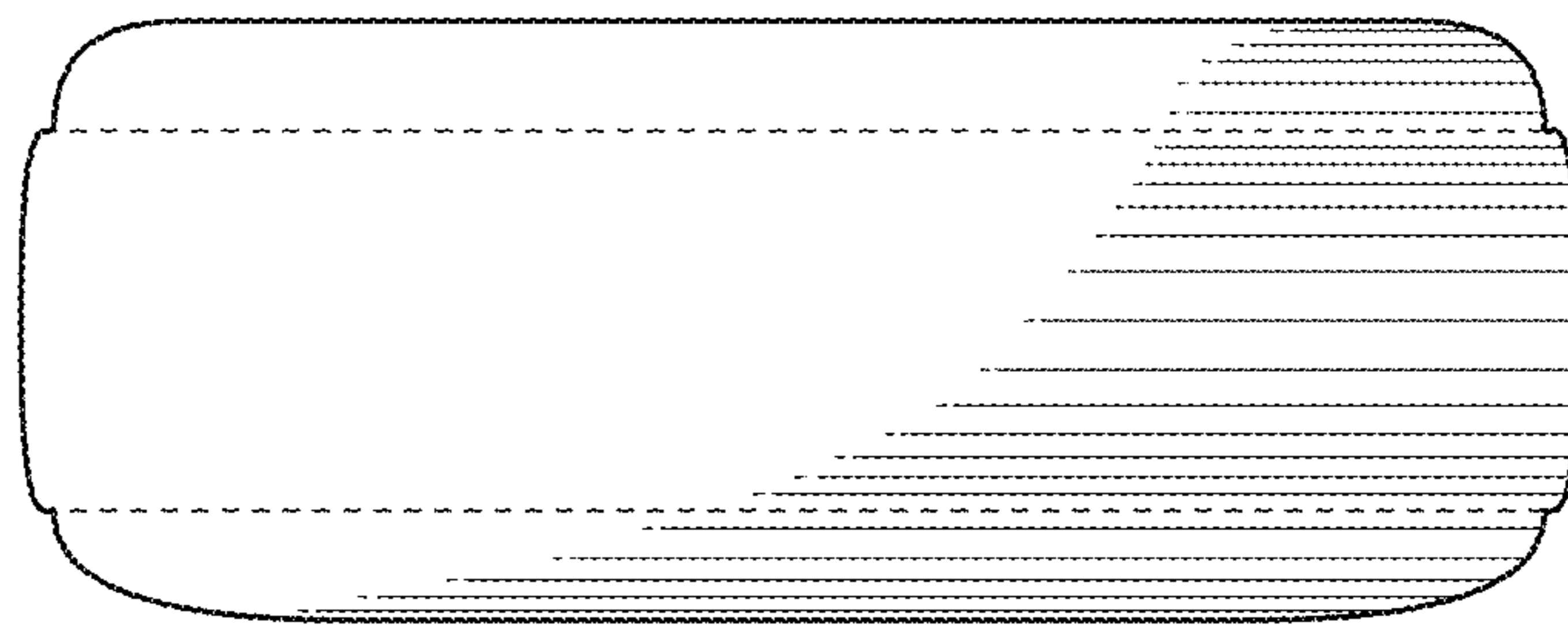


FIG. 7

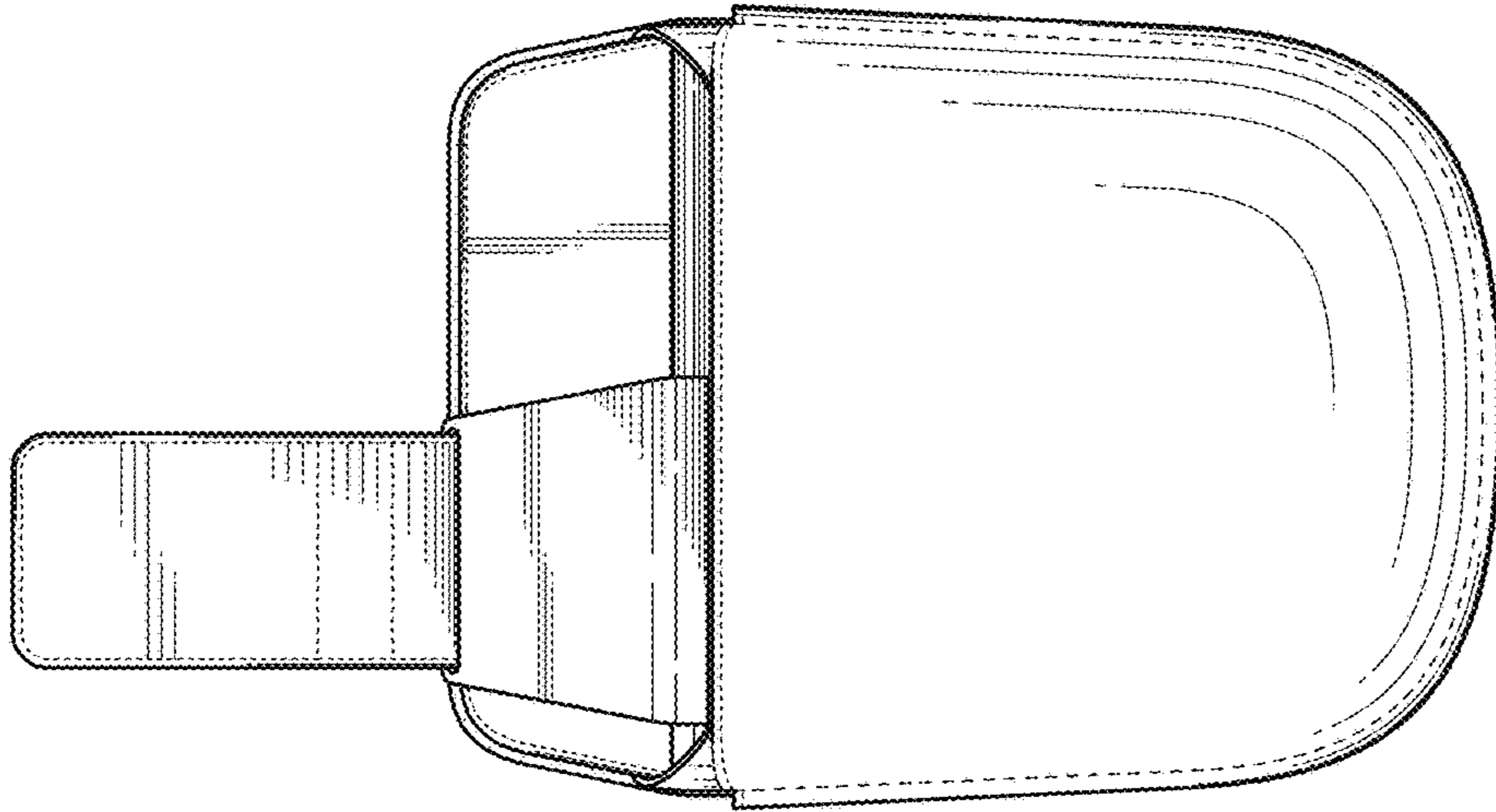


FIG. 9

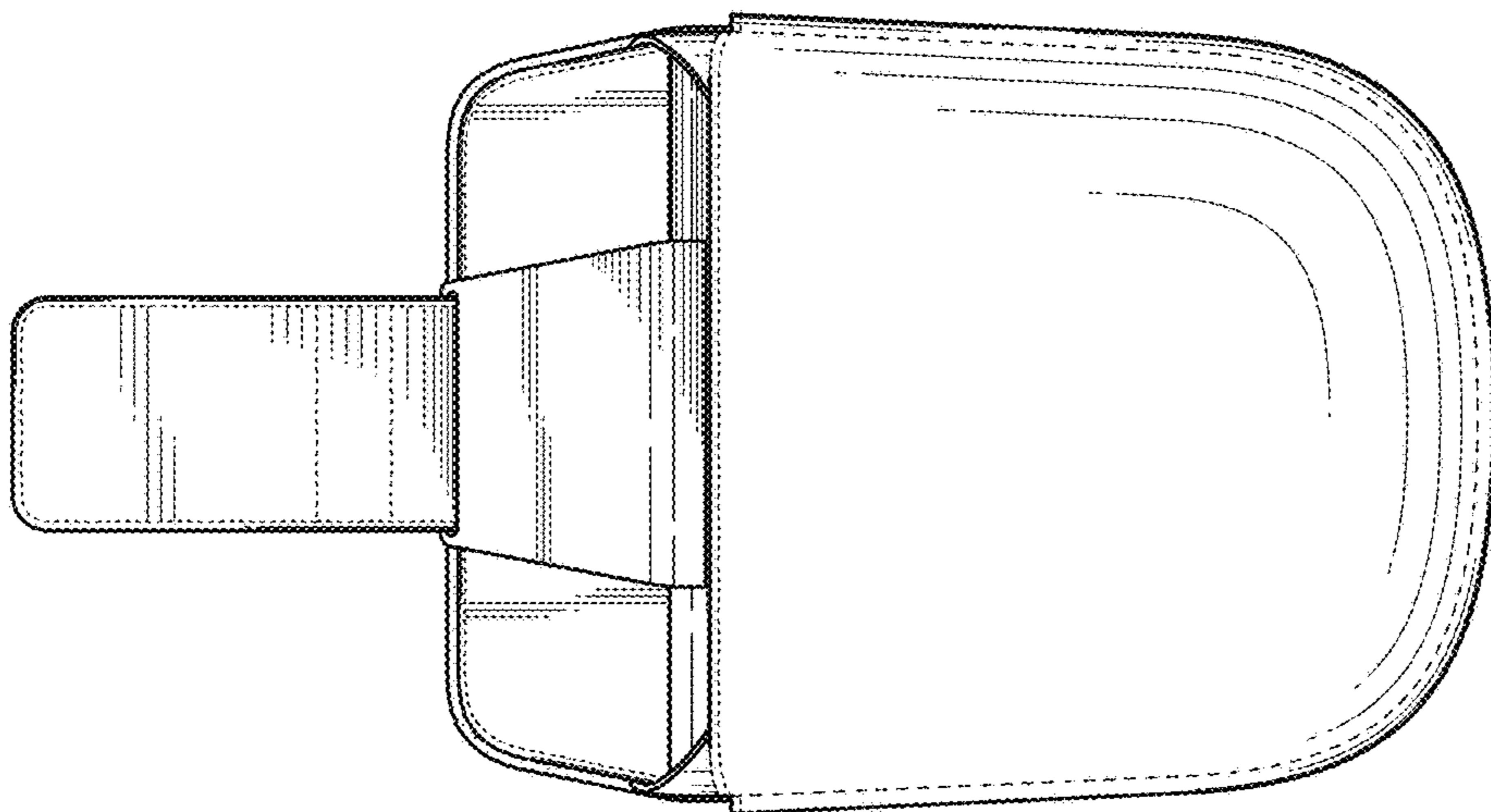


FIG. 8



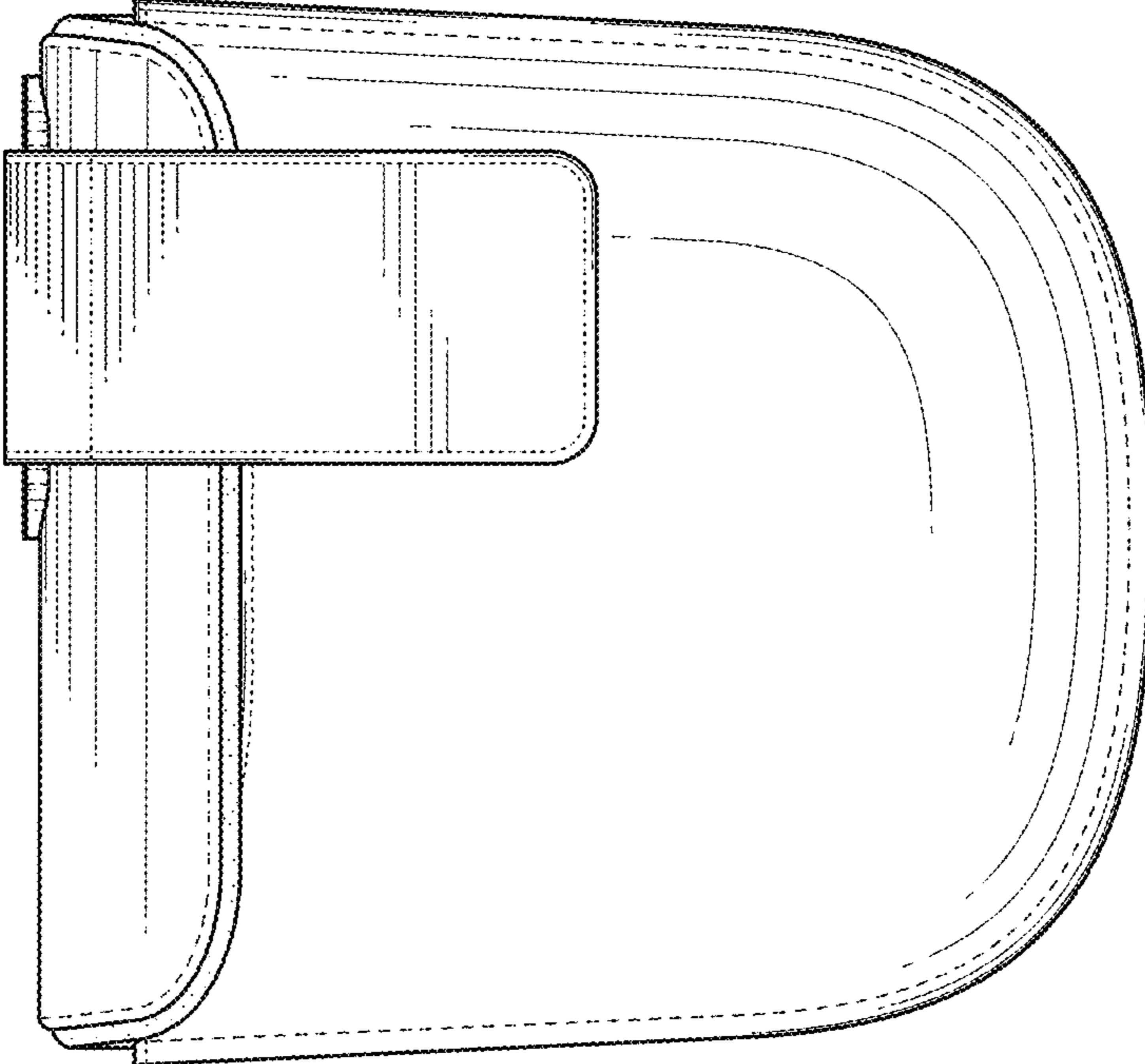


FIG. 10

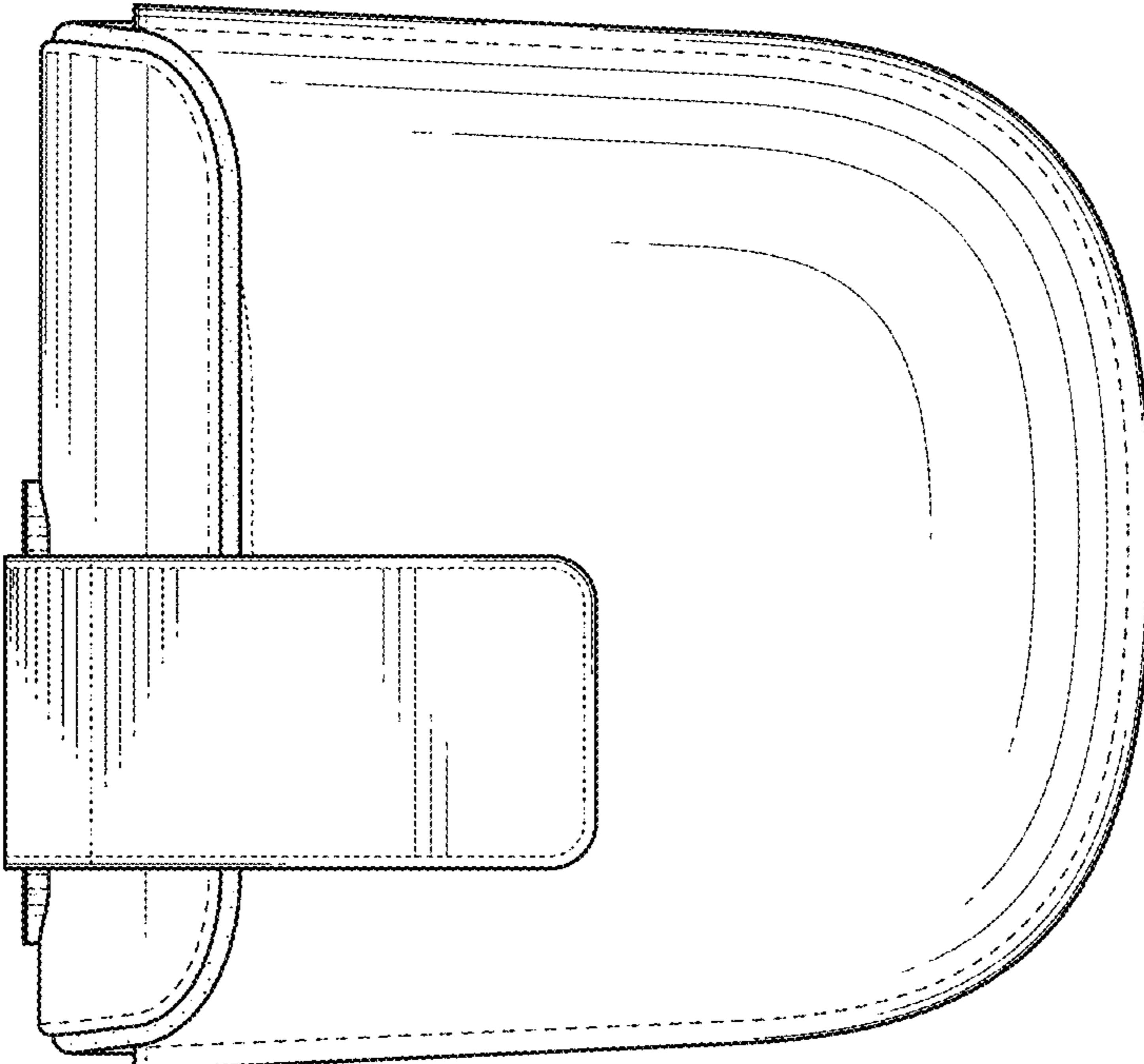


FIG. 11