



US00D796605S

(12) **United States Design Patent**
Serrano et al.

(10) **Patent No.:** **US D796,605 S**

(45) **Date of Patent:** **** Sep. 5, 2017**

(54) **GOLF CLUB HEAD**

(71) Applicant: **KARSTEN MANUFACTURING CORPORATION**, Phoenix, AZ (US)

(72) Inventors: **Anthony Serrano**, Anthem, AZ (US);
Xiaojian Chen, Phoenix, AZ (US);
Calvin Wang, Chandler, AZ (US);
David Higdon, Phoenix, AZ (US)

(73) Assignee: **Karsten Manufacturing Corporation**, Phoenix, AZ (US)

(**) Term: **15 Years**

(21) Appl. No.: **29/567,366**

(22) Filed: **Jun. 8, 2016**

(51) **LOC (10) Cl.** **21-02**

(52) **U.S. Cl.**
USPC **D21/744**

(58) **Field of Classification Search**
USPC D21/736-746, 759
CPC ... A63B 53/00; A63B 53/065; A63B 53/0487;
A63B 53/007; A63B 53/04
See application file for complete search history.

(56) **References Cited**

U.S. PATENT DOCUMENTS

1,897,264 A	2/1933	Lamb
1,901,562 A	3/1933	Main
2,014,829 A	9/1935	Young
2,486,952 A	11/1949	Kearsley
3,042,405 A	7/1962	Solheim
D235,668 S	7/1975	Swash
3,954,265 A	5/1976	Taylor
4,222,566 A	9/1980	Berry
4,390,184 A	6/1983	Rudell
4,695,054 A	9/1987	Tunstall
4,714,252 A	12/1987	Roraback
4,722,528 A	2/1988	Tsao

4,741,535 A	5/1988	Leonhardt
4,834,387 A	5/1989	Waites et al.
D323,867 S	2/1992	Rizzotto
D324,555 S	3/1992	Evans
D333,331 S	2/1993	Evans
5,211,401 A	5/1993	Hainey
D342,112 S	12/1993	Diesterheft
5,320,346 A	6/1994	Phillips
5,320,353 A	6/1994	Moore

(Continued)

Primary Examiner — Mitchell Siegel

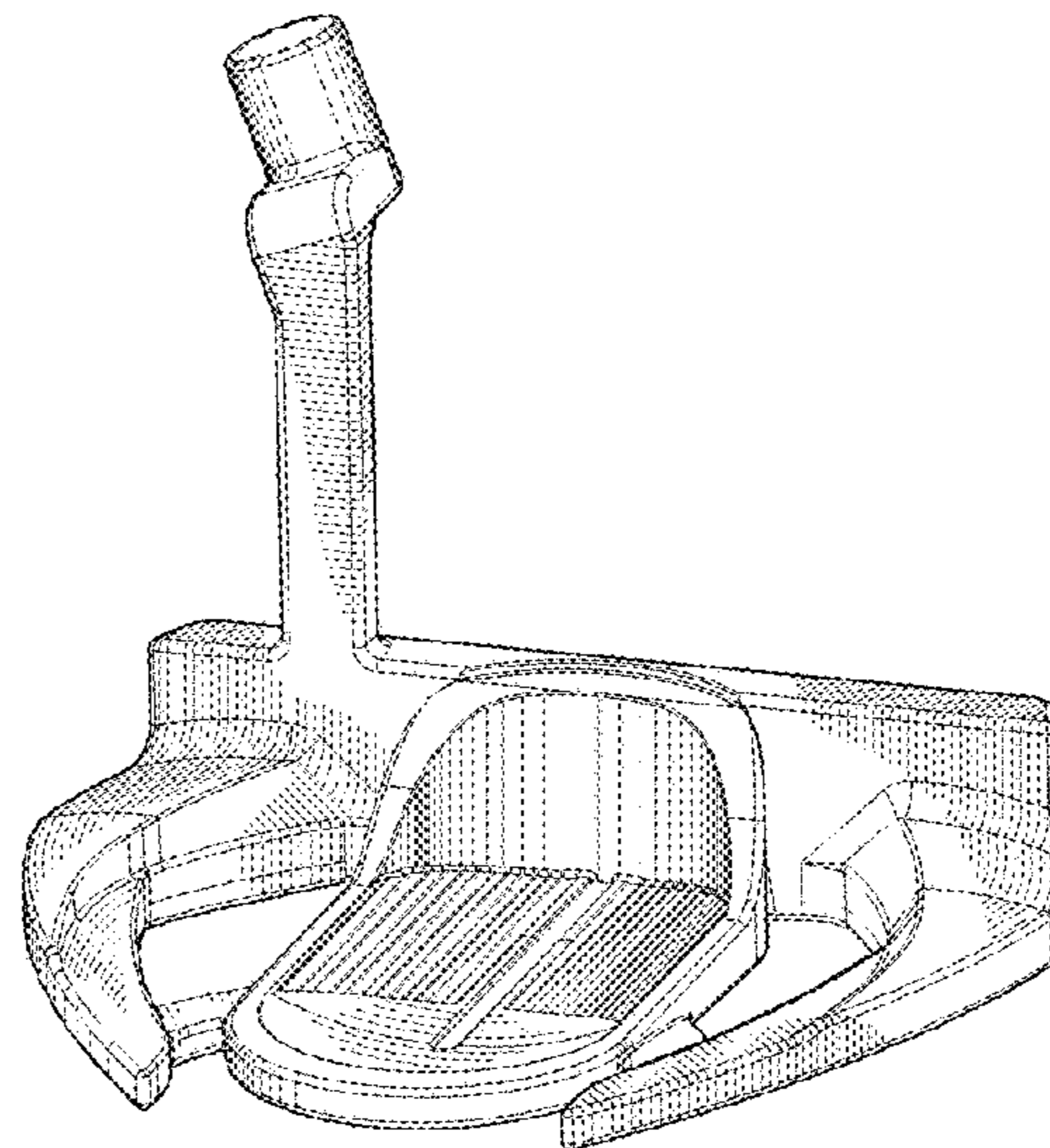
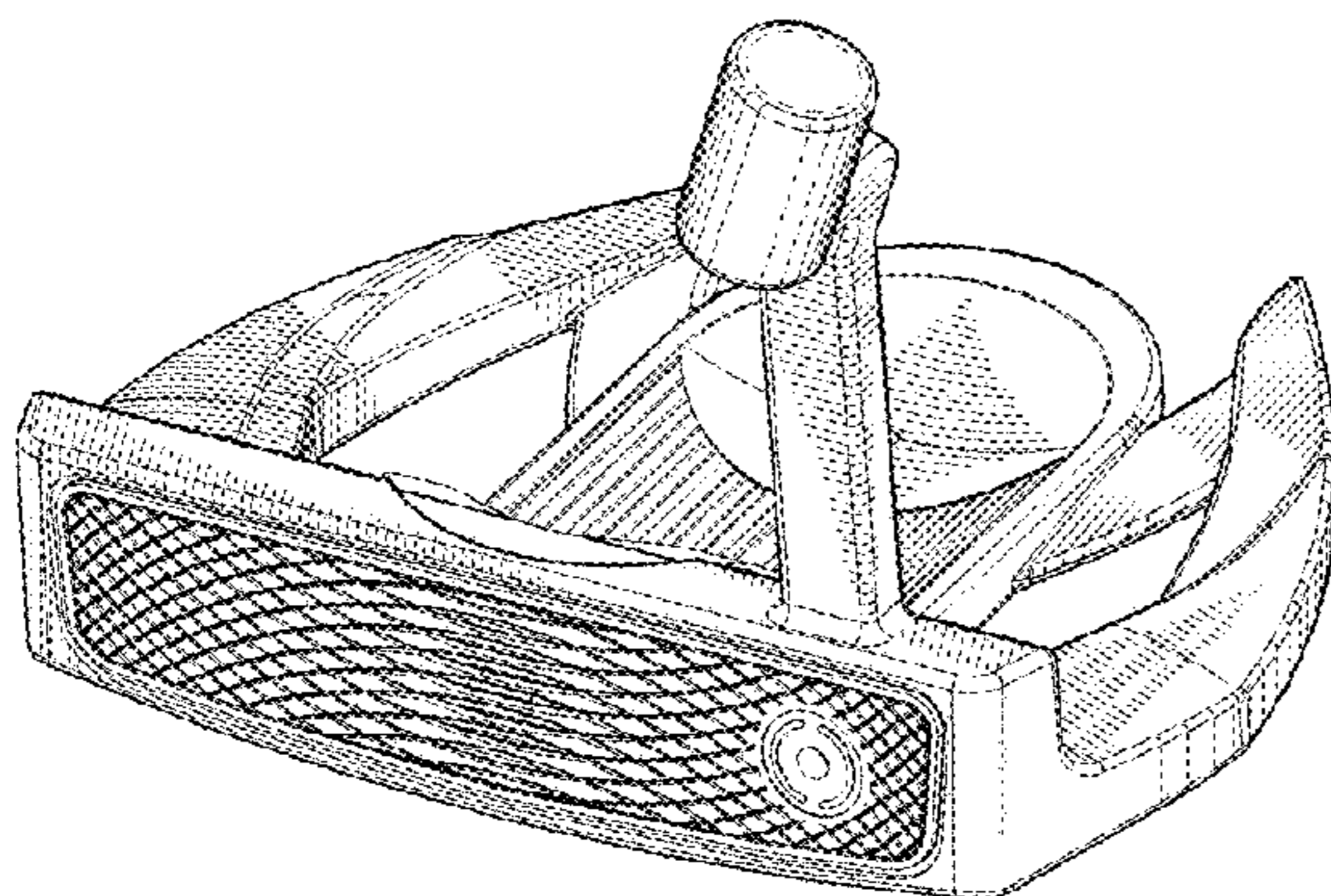
(57) **CLAIM**

The ornamental design for a golf club head, as shown and described.

DESCRIPTION

FIG. 1 is a top front perspective view of a golf club head; FIG. 2 is a top rear perspective view of the golf club head of FIG. 1; FIG. 3 is a front view of the golf club head of FIG. 1; FIG. 4 is a rear view of the golf club head of FIG. 1; FIG. 5 is a top view of the golf club head of FIG. 1; FIG. 6 is a bottom view of the golf club head of FIG. 1; FIG. 7 is a toe view of the golf club head of FIG. 1; FIG. 8 is a heel view of the golf club head of FIG. 1; FIG. 9 is a top front perspective view of a second embodiment of a golf club head; FIG. 10 is a top rear perspective view of the golf club head of FIG. 9; FIG. 11 is a front view of the golf club head of FIG. 9; FIG. 12 is a rear view of the golf club head of FIG. 9; FIG. 13 is a top view of the golf club head of FIG. 9; FIG. 14 is a bottom view of the golf club head of FIG. 9; FIG. 15 is a toe view of the golf club head of FIG. 9; and, FIG. 16 is a heel view of the golf club head of FIG. 9. The broken lines shown in one or more of the figures are for illustrative purposes only and form no part of the claimed design.

1 Claim, 10 Drawing Sheets



(56)

References Cited

U.S. PATENT DOCUMENTS

5,324,031 A	6/1994	Green		D574,907 S *	8/2008	Jones	D21/736
D356,846 S	3/1995	Murrill		D574,908 S	8/2008	Hettinger et al.	
5,482,281 A	1/1996	Anderson		D575,366 S	8/2008	Rollinson	
5,580,058 A	12/1996	Coughlin		D577,398 S	9/2008	Hilton	
5,716,290 A	2/1998	Baker		D579,505 S	10/2008	Jones	
5,820,481 A	10/1998	Raudman		7,455,599 B2	11/2008	Jones	
D449,085 S	10/2001	Breier et al.		D582,497 S	12/2008	Rollinson	
6,402,638 B1	6/2002	Kelley		D583,886 S	12/2008	Cameron	
D477,041 S	7/2003	Cameron		D585,510 S	1/2009	Murrieta	
6,634,956 B1	10/2003	Pegg		7,481,713 B2	1/2009	Beckman	
6,663,497 B2	12/2003	Cameron		D587,325 S	2/2009	Solheim et al.	
D488,200 S	4/2004	Olsavsky et al.		D589,575 S	3/2009	Kim	
D494,237 S	8/2004	Ware		D590,035 S	4/2009	Hilton	
D499,778 S	12/2004	Cameron		D590,461 S	4/2009	Kim et al.	
D500,109 S *	12/2004	Solheim	D21/736	D591,371 S	4/2009	Hilton	
D500,110 S *	12/2004	Solheim	D21/742	D591,372 S *	4/2009	Tang	D21/743
D500,539 S	1/2005	Holloway		D591,806 S	5/2009	Cameron	
D502,234 S	2/2005	Grace		D591,807 S	5/2009	Rollinson	
D502,748 S	3/2005	Burrows		D592,717 S	5/2009	Rollinson	
D505,702 S	5/2005	Wood		D594,073 S	6/2009	Kadoya	
D506,796 S	6/2005	Li		D594,517 S *	6/2009	Tang	D21/736
D507,613 S	7/2005	Baiocchi		D594,917 S	6/2009	Stellander	
D508,273 S	8/2005	Garner et al.		D595,372 S	6/2009	Rollinson	
D510,394 S	10/2005	Tang et al.		D595,373 S	6/2009	Kim et al.	
6,960,140 B2	11/2005	Solheim et al.		D595,793 S	7/2009	Rollinson	
6,966,845 B2	11/2005	Solheim et al.		D596,685 S	7/2009	Wallans	
D513,050 S	12/2005	Grimaldo		D599,423 S	9/2009	Serrano et al.	
D514,182 S	1/2006	Olsavsky et al.		D599,424 S	9/2009	Serrano et al.	
D515,646 S	2/2006	Perry		D599,425 S	9/2009	Laub	
7,004,849 B2	2/2006	Cameron		D599,868 S	9/2009	Serrano et al.	
D517,143 S	3/2006	Petsel		D599,869 S	9/2009	Serrano et al.	
D518,127 S	3/2006	Tang et al.		D599,870 S	9/2009	Serrano et al.	
D520,583 S	5/2006	Rollinson et al.		D600,298 S	9/2009	Serrano et al.	
D521,582 S	5/2006	Souza et al.		D600,760 S *	9/2009	Serrano	D21/736
7,052,411 B2	5/2006	Solheim et al.		D600,761 S *	9/2009	Solheim	D21/736
D522,598 S	6/2006	Solheim et al.		D600,762 S	9/2009	Serrano et al.	
7,077,758 B2	7/2006	Rohrer		D601,214 S	9/2009	Serrano et al.	
D527,777 S	9/2006	Solheim et al.		D603,008 S	10/2009	Donahue	
D529,560 S	10/2006	Madore		7,601,076 B2	10/2009	Rollinson	
D532,842 S *	11/2006	Jones	D21/736	D604,787 S	11/2009	Hopkins	
D532,843 S *	11/2006	Jones	D21/736	D606,139 S	12/2009	Ines et al.	
D532,845 S	11/2006	Rollinson		7,645,199 B2	1/2010	Cameron	
D532,846 S	11/2006	Lee et al.		D621,458 S *	8/2010	Serrano	D21/736
D533,243 S	12/2006	Fife et al.		D621,459 S	8/2010	Serrano et al.	
D533,609 S	12/2006	Moore		D621,460 S *	8/2010	Serrano	D21/742
7,147,569 B2	12/2006	Tang et al.		D621,461 S *	8/2010	Serrano	D21/742
D534,974 S	1/2007	Haack		D621,462 S *	8/2010	Serrano	D21/742
D536,400 S	2/2007	DiBattista		D621,891 S *	8/2010	Serrano	D21/742
D537,135 S	2/2007	Rollinson et al.		D623,709 S	9/2010	Serrano et al.	
D539,860 S	4/2007	Fussell		D629,476 S *	12/2010	Serrano	D21/742
D542,873 S	5/2007	Oldknow		D643,080 S *	8/2011	Serrano	D21/742
D545,385 S	6/2007	Tang et al.		D643,486 S *	8/2011	Serrano	D21/742
D548,295 S	8/2007	Jertson et al.		D643,487 S *	8/2011	Serrano	D21/742
7,255,650 B2	8/2007	Braynt et al.		D691,226 S	10/2013	Hilton et al.	
D552,197 S	10/2007	Wells et al.		D719,622 S *	12/2014	Rollinson	D21/746
D557,361 S	12/2007	Rollinson		D732,121 S *	6/2015	Trahan	D21/742
7,326,121 B2	2/2008	Roake		D777,269 S *	1/2017	Becktor	D21/742
D564,606 S	3/2008	Oldknow et al.		2003/0228925 A1	12/2003	Rohrer	
D564,607 S	3/2008	Oldknow et al.		2007/0021229 A1	1/2007	Haack	
D565,138 S	3/2008	Wilson		2007/0049402 A1	3/2007	Sanchez et al.	
D568,954 S	5/2008	Oldknow et al.		2007/0298904 A1	12/2007	Dworzan	
D569,461 S	5/2008	Morris		2009/0029800 A1	1/2009	Jones et al.	
D569,462 S	5/2008	Rollinson		2009/0105008 A1	4/2009	Kuan et al.	
D571,877 S	6/2008	Jones et al.		2009/0170629 A1	7/2009	Hilton	
D571,879 S *	6/2008	Jones	D21/736	2009/0270196 A1	10/2009	Solheim et al.	
7,390,267 B2	6/2008	Grace		2009/0270198 A1	10/2009	Solheim et al.	
D573,673 S	7/2008	Noyes		2009/0305806 A1	12/2009	Campadore et al.	
				2009/0305807 A1	12/2009	Solheim et al.	

* cited by examiner

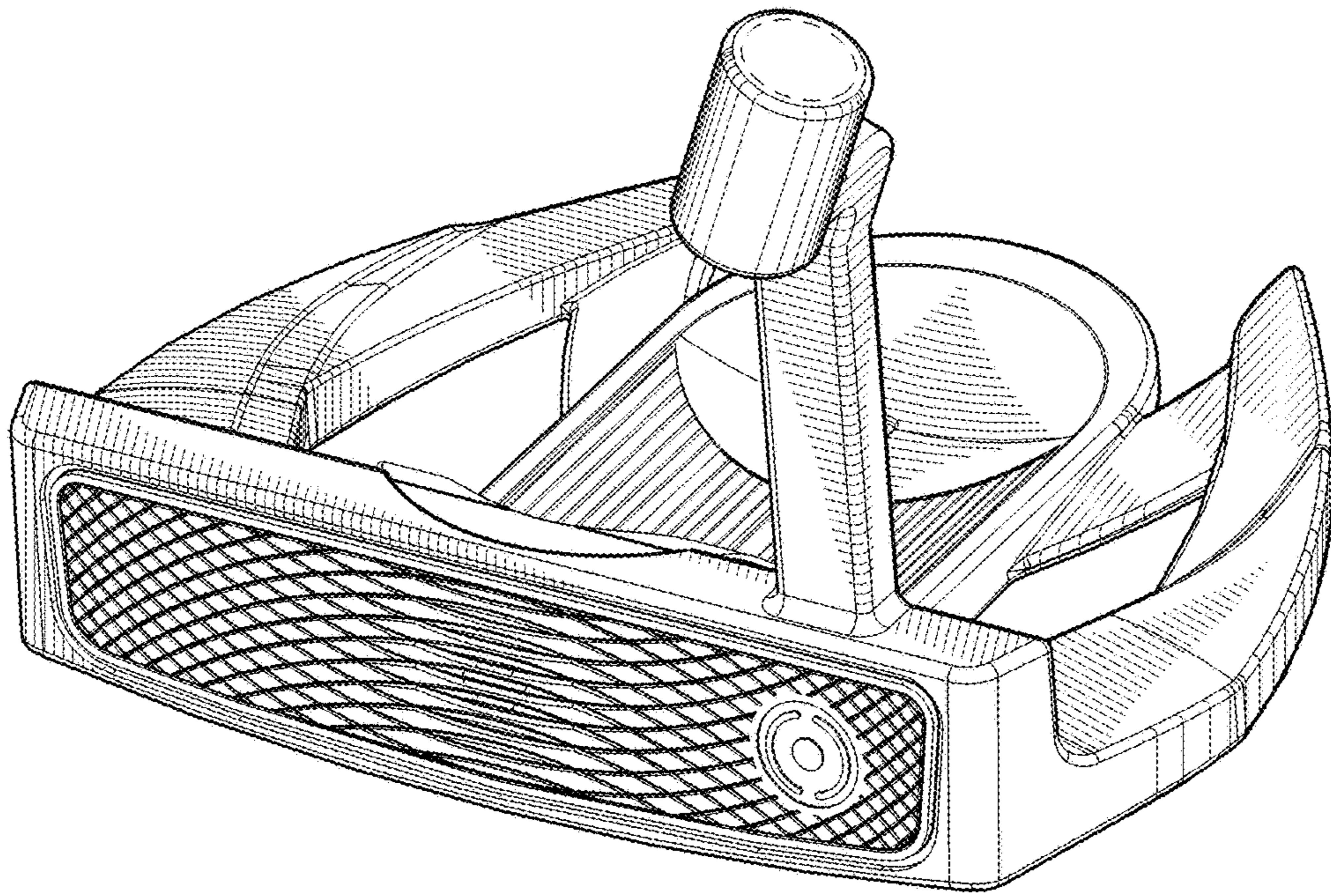


Fig. 1

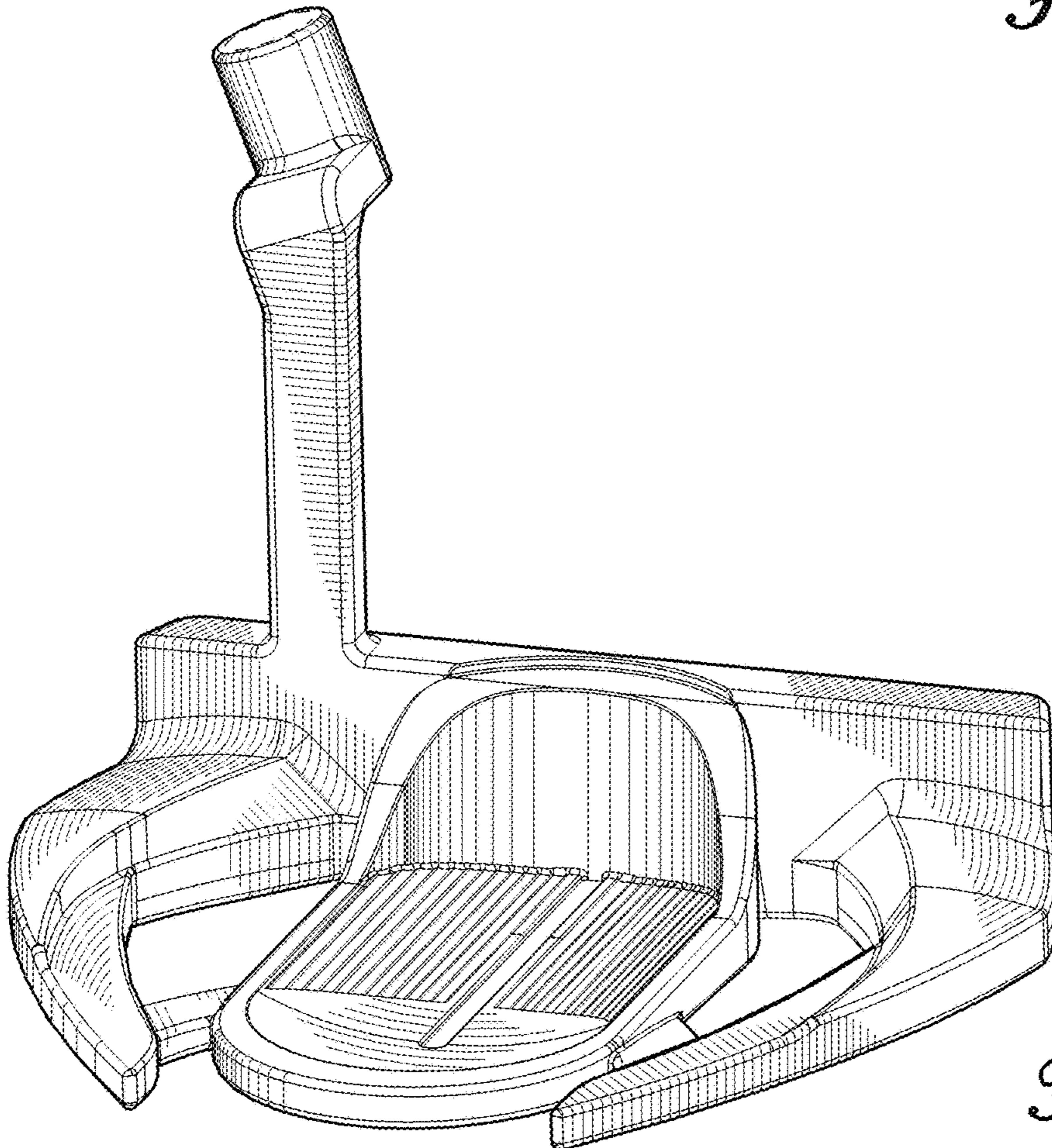


Fig. 2

Fig. 3

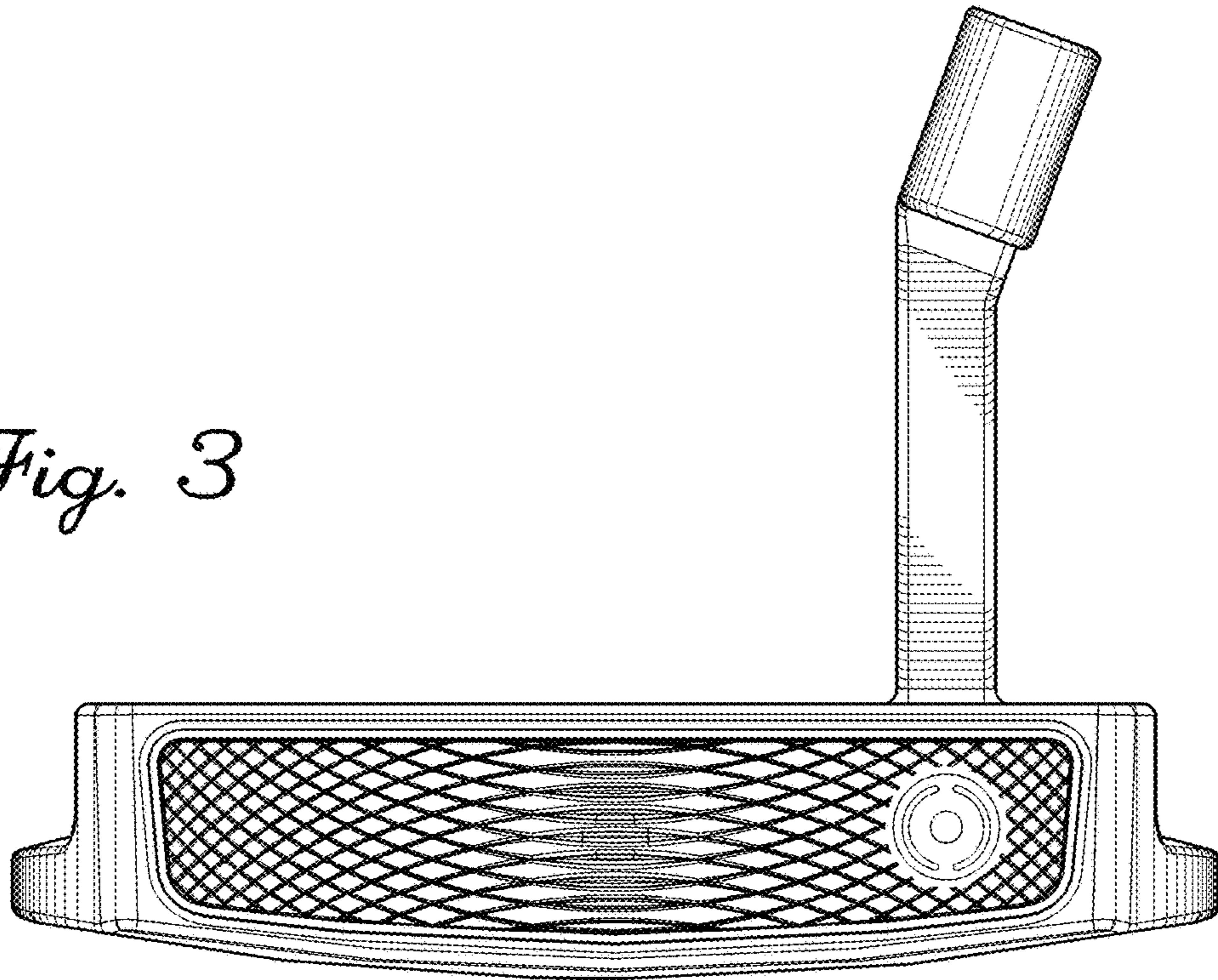
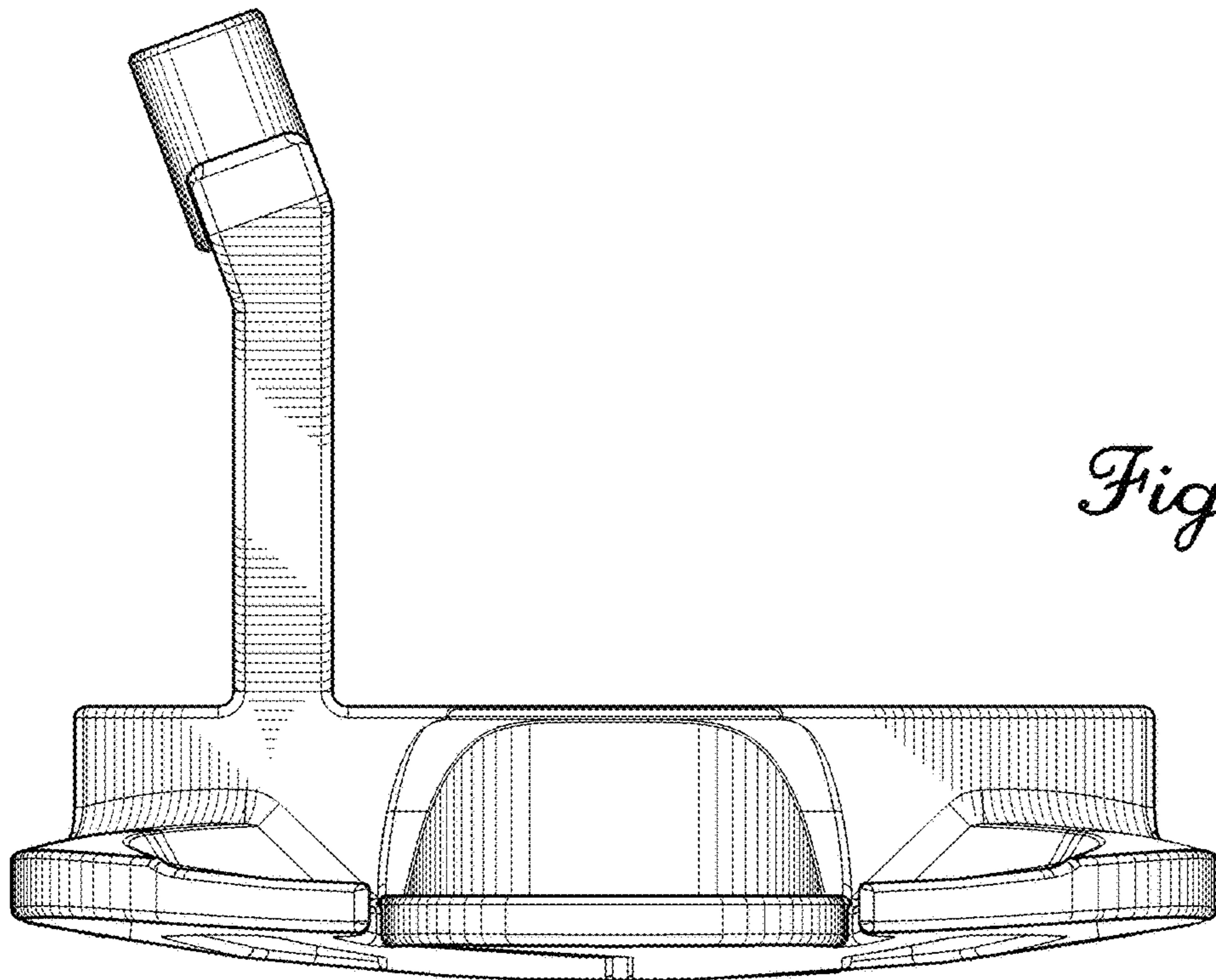


Fig. 4



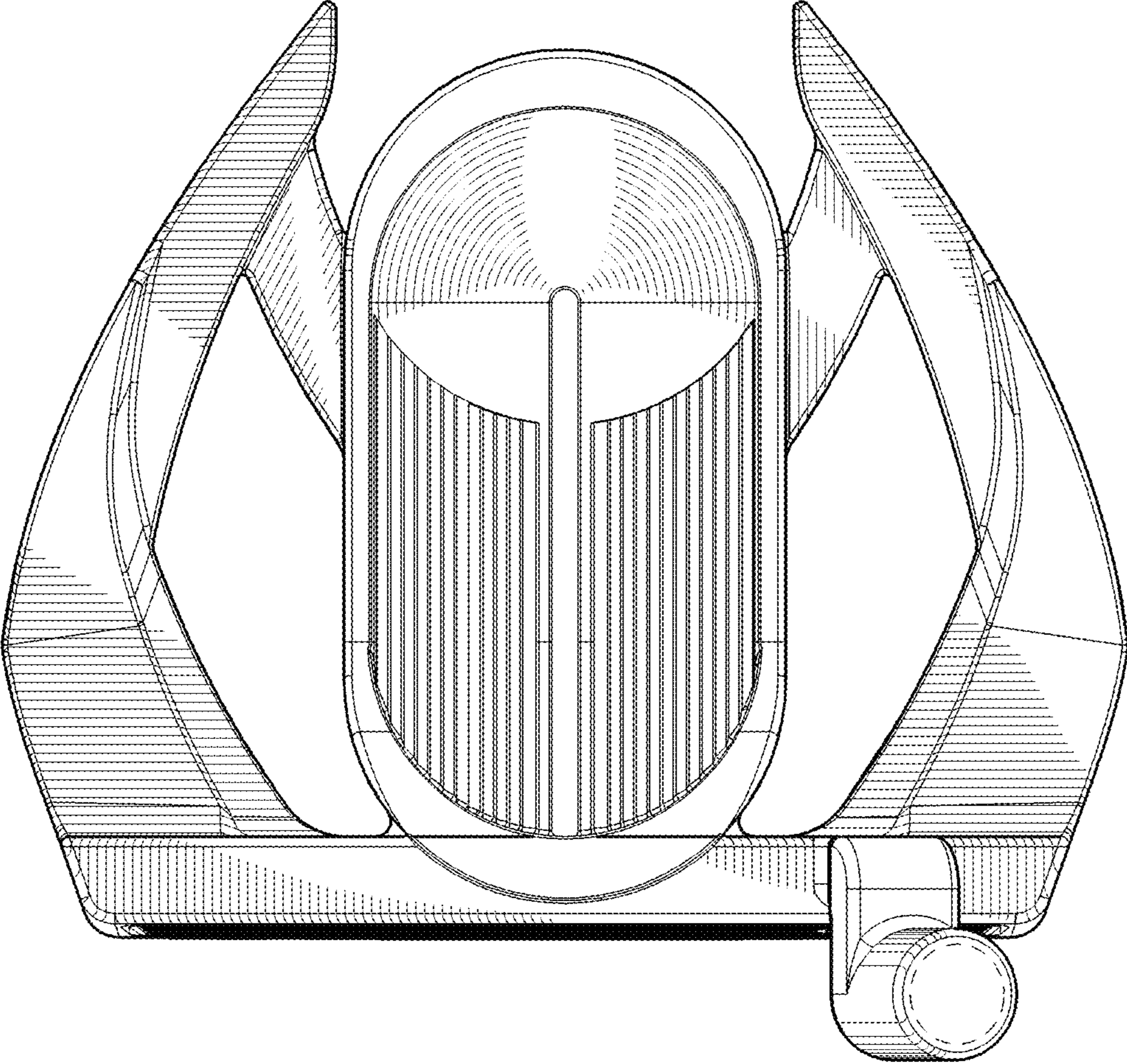


Fig. 5

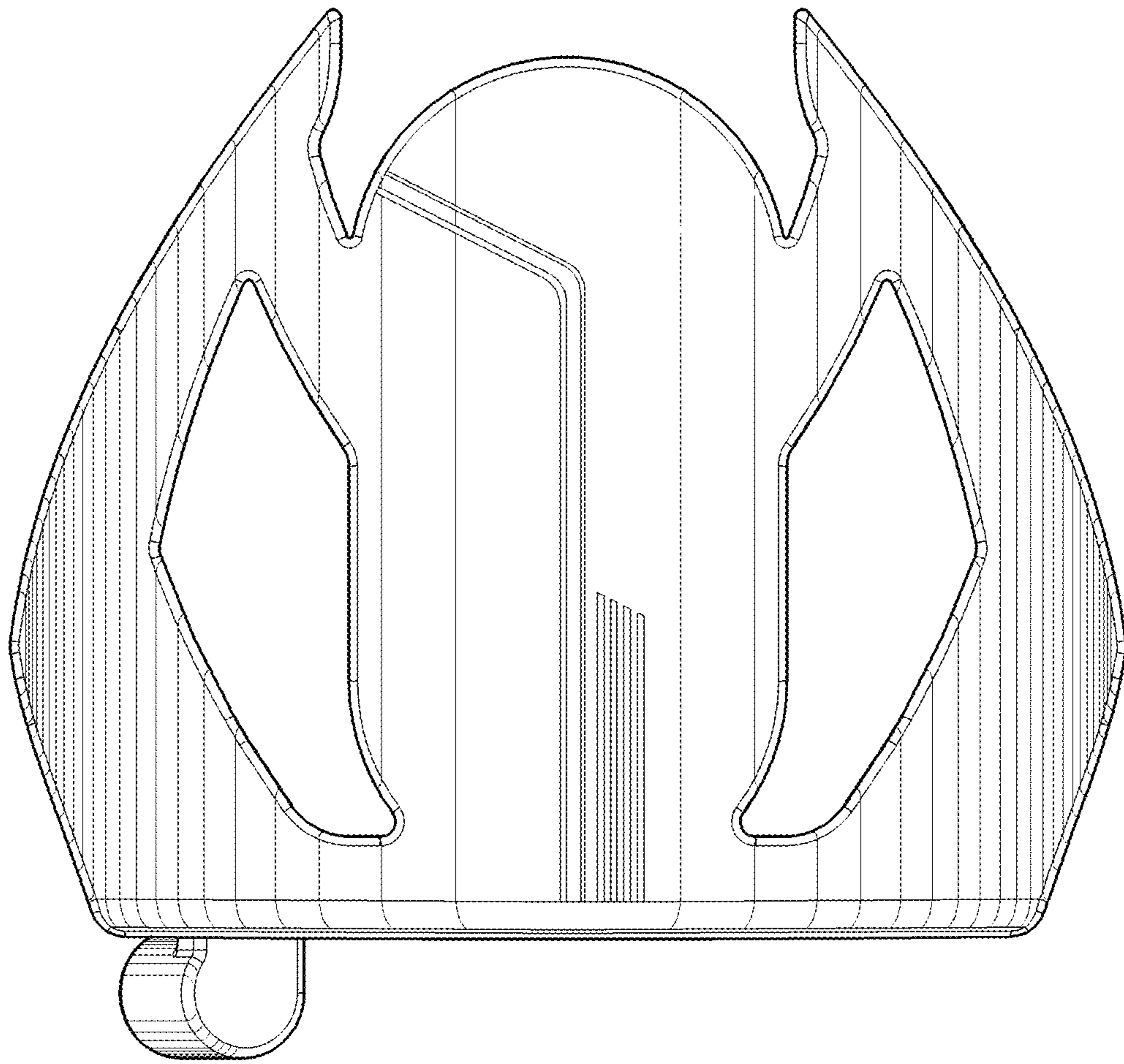


Fig. 6

Fig. 7

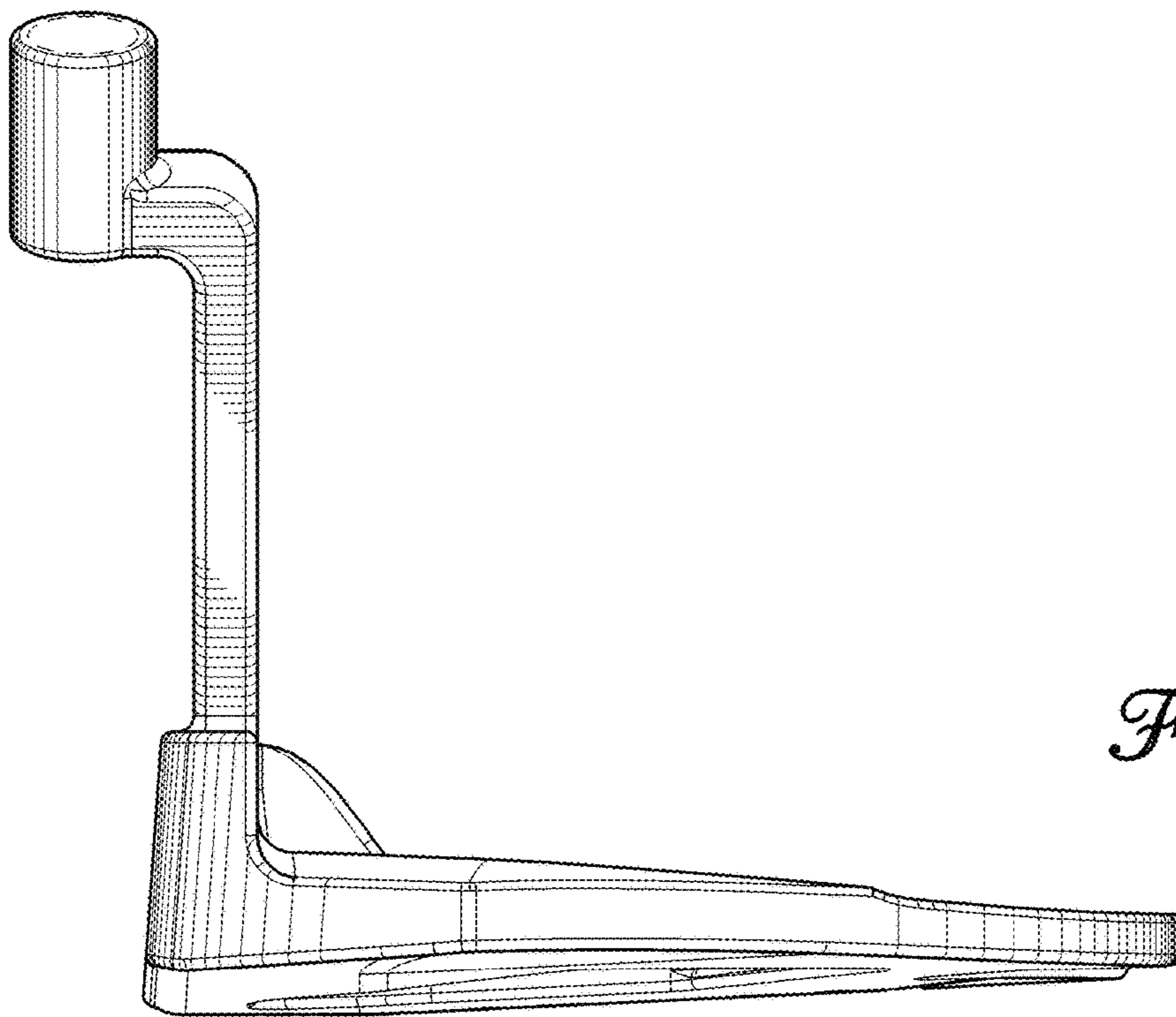
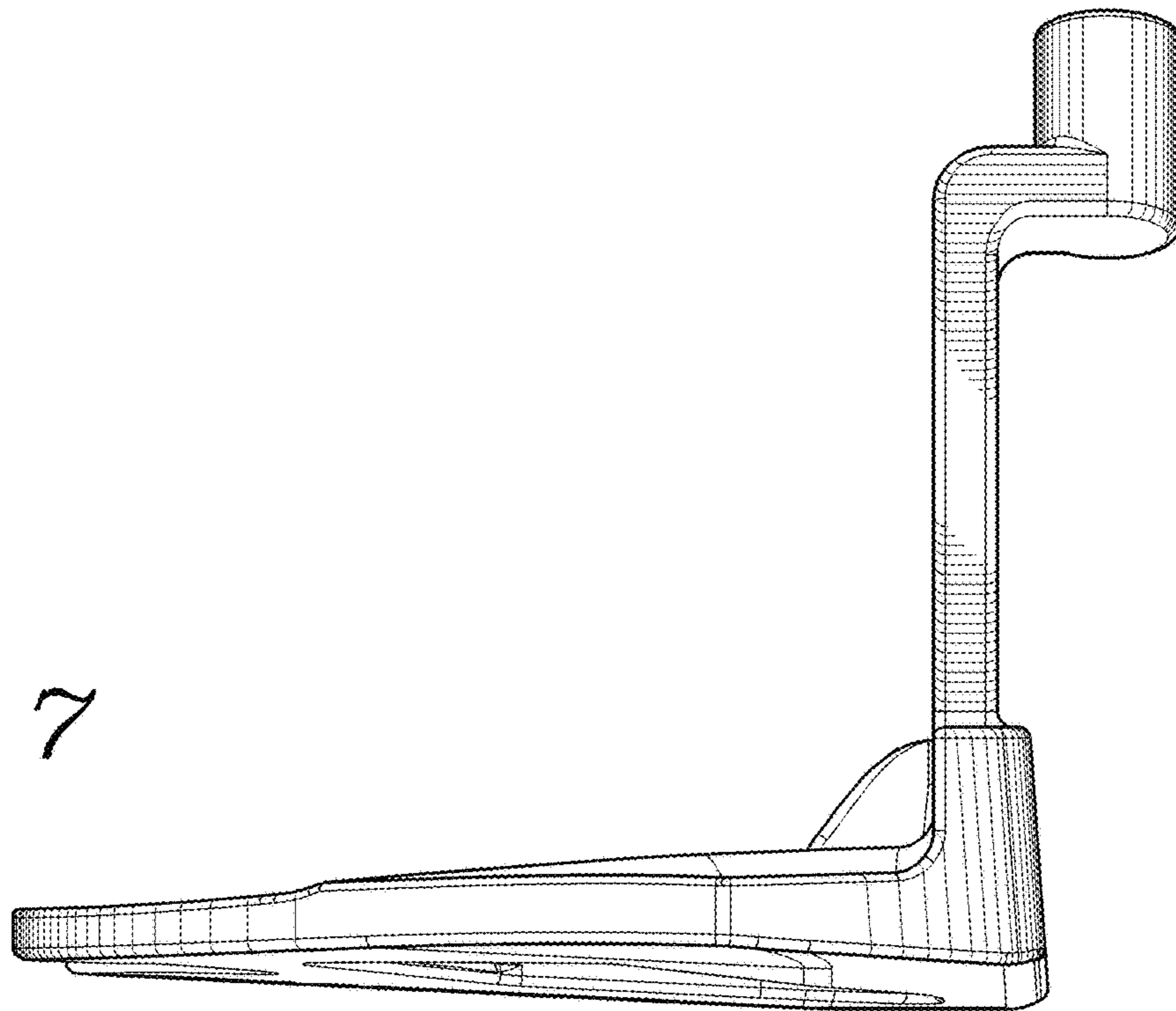


Fig. 8

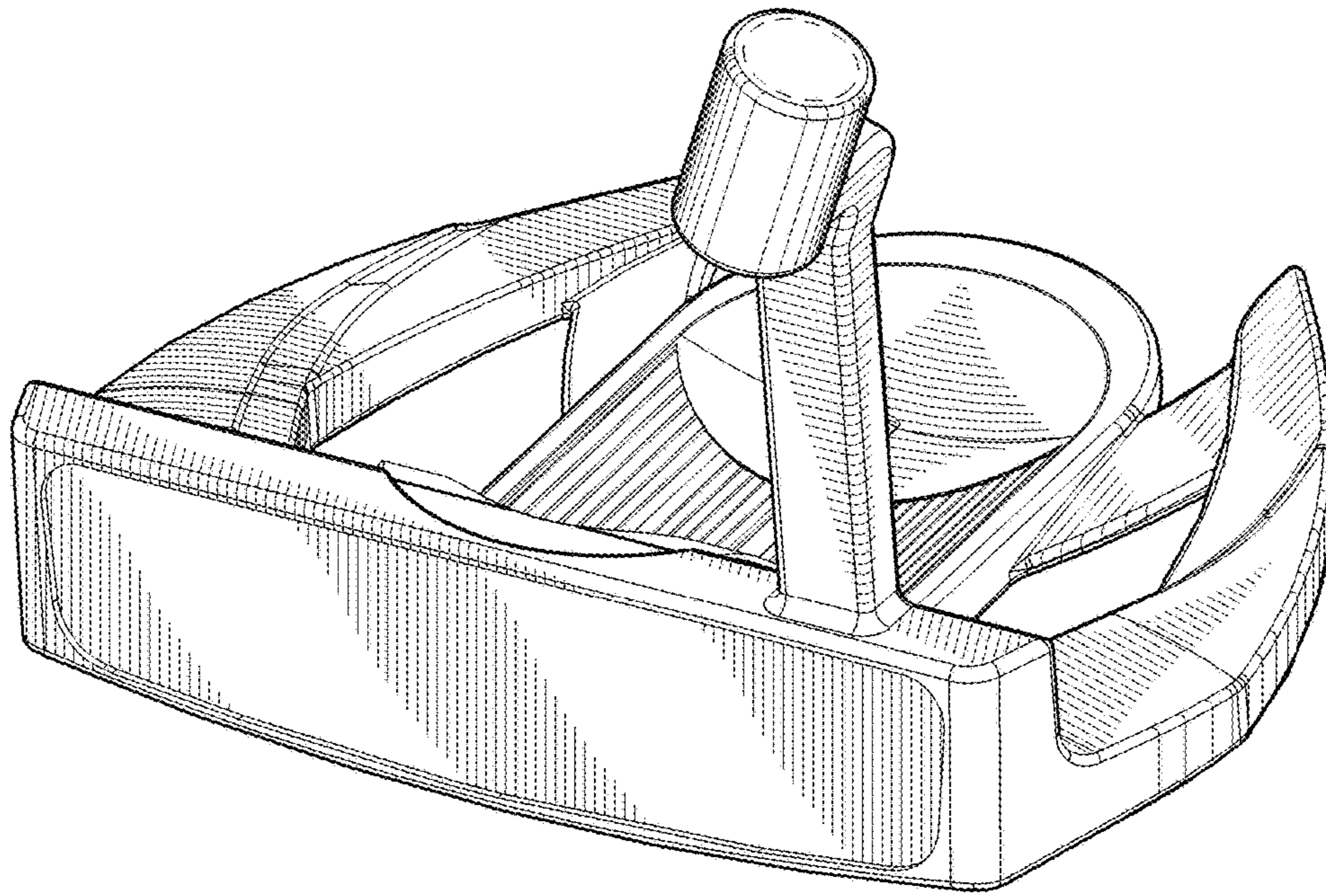


Fig. 9

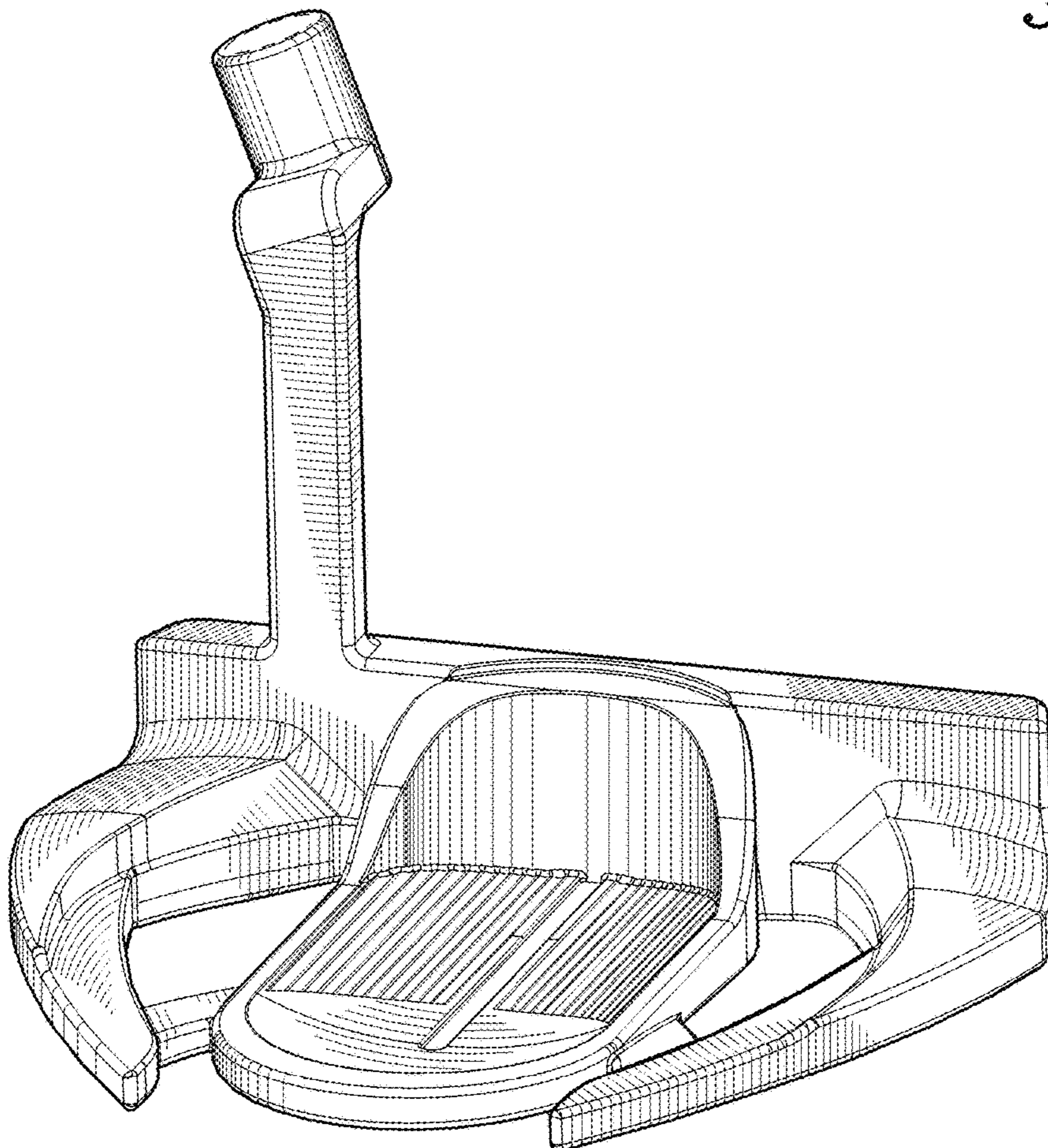
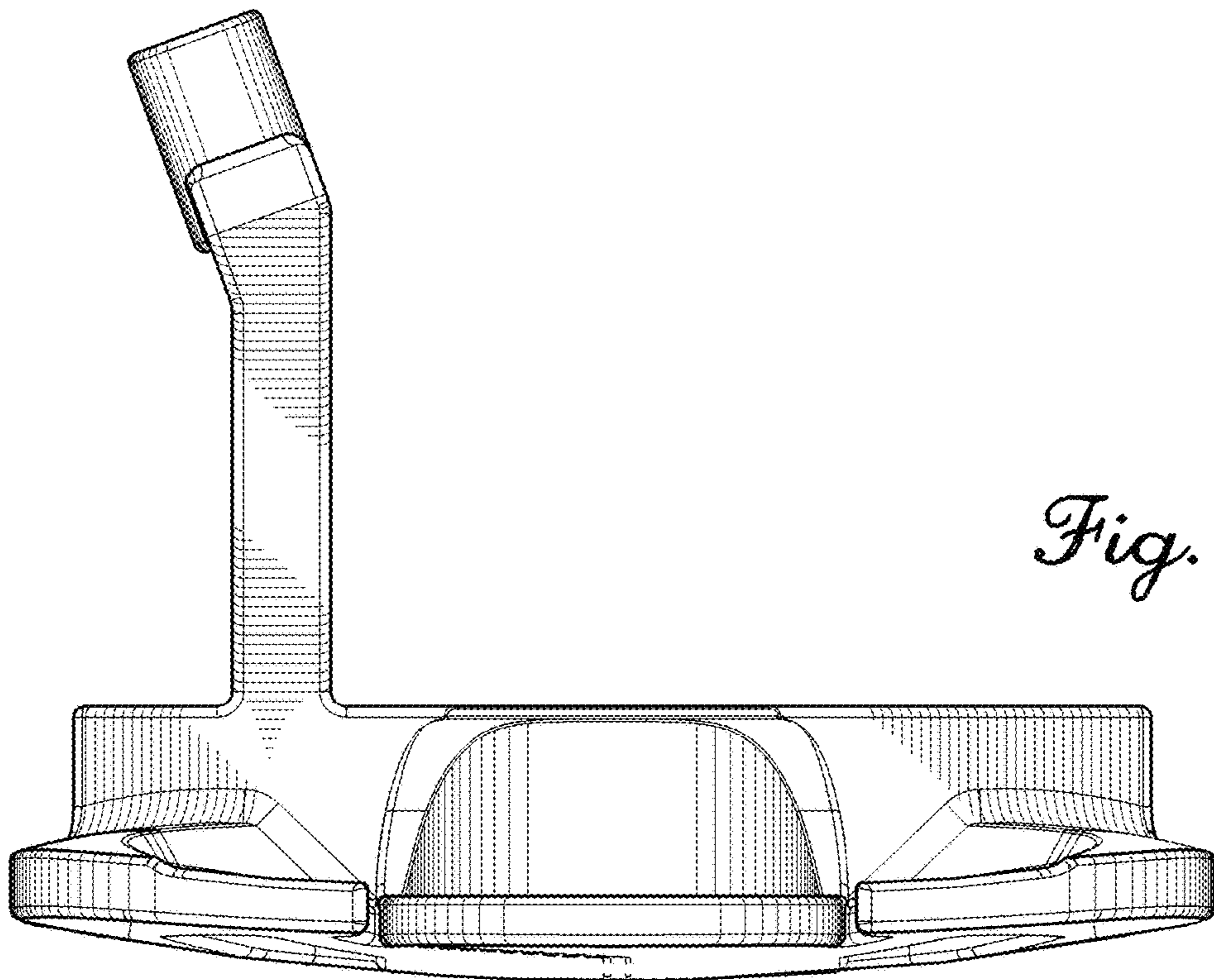
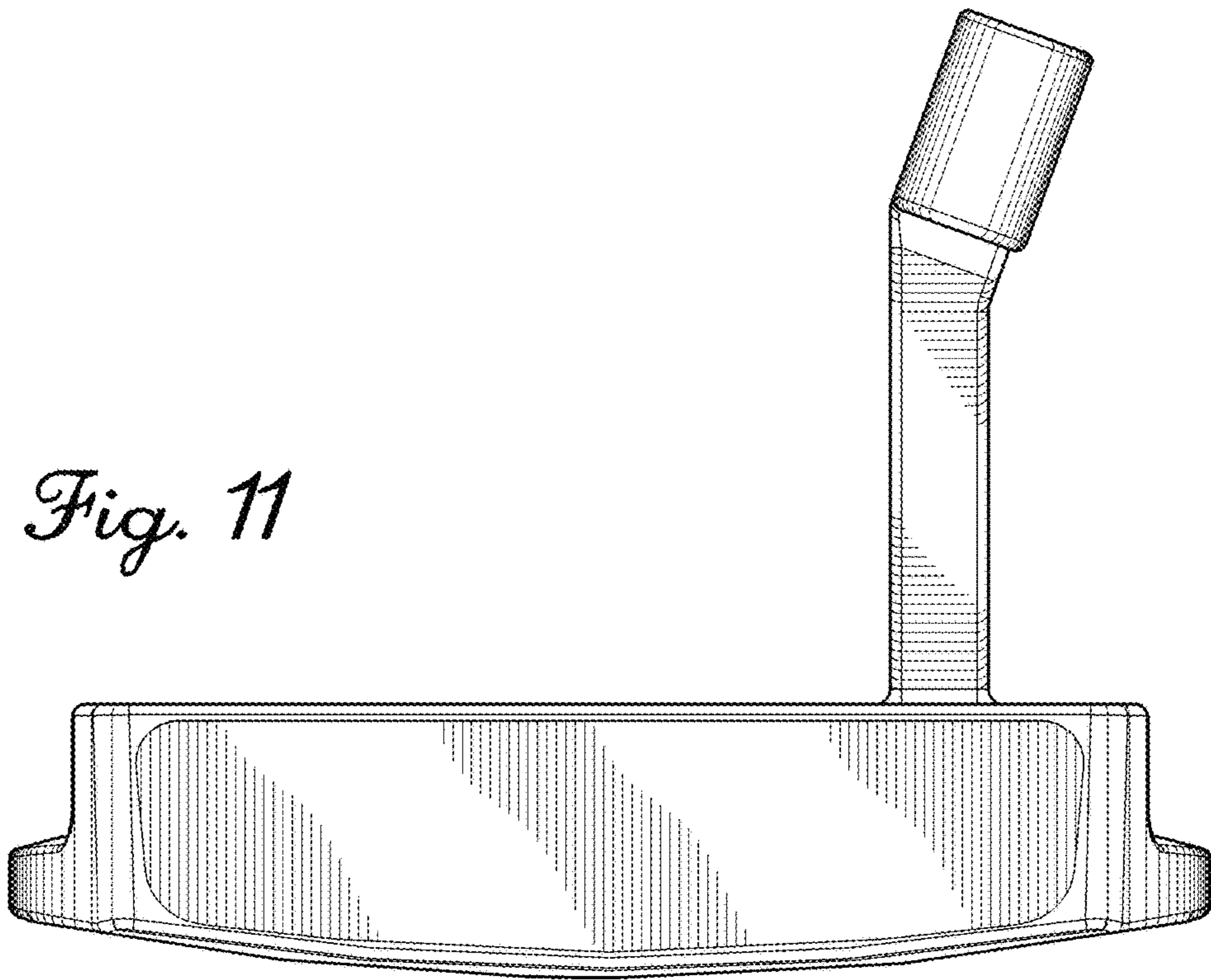


Fig. 10



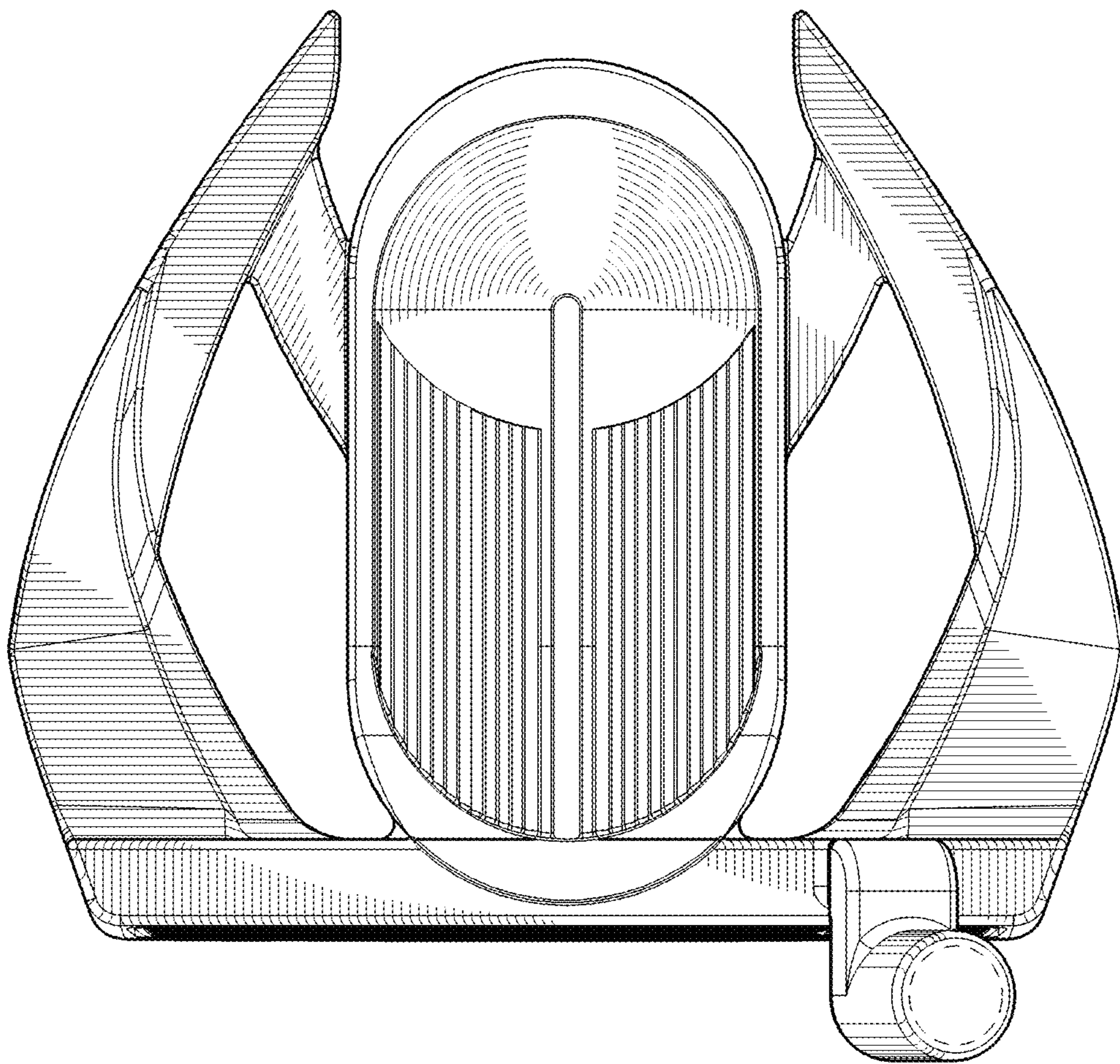


Fig. 13

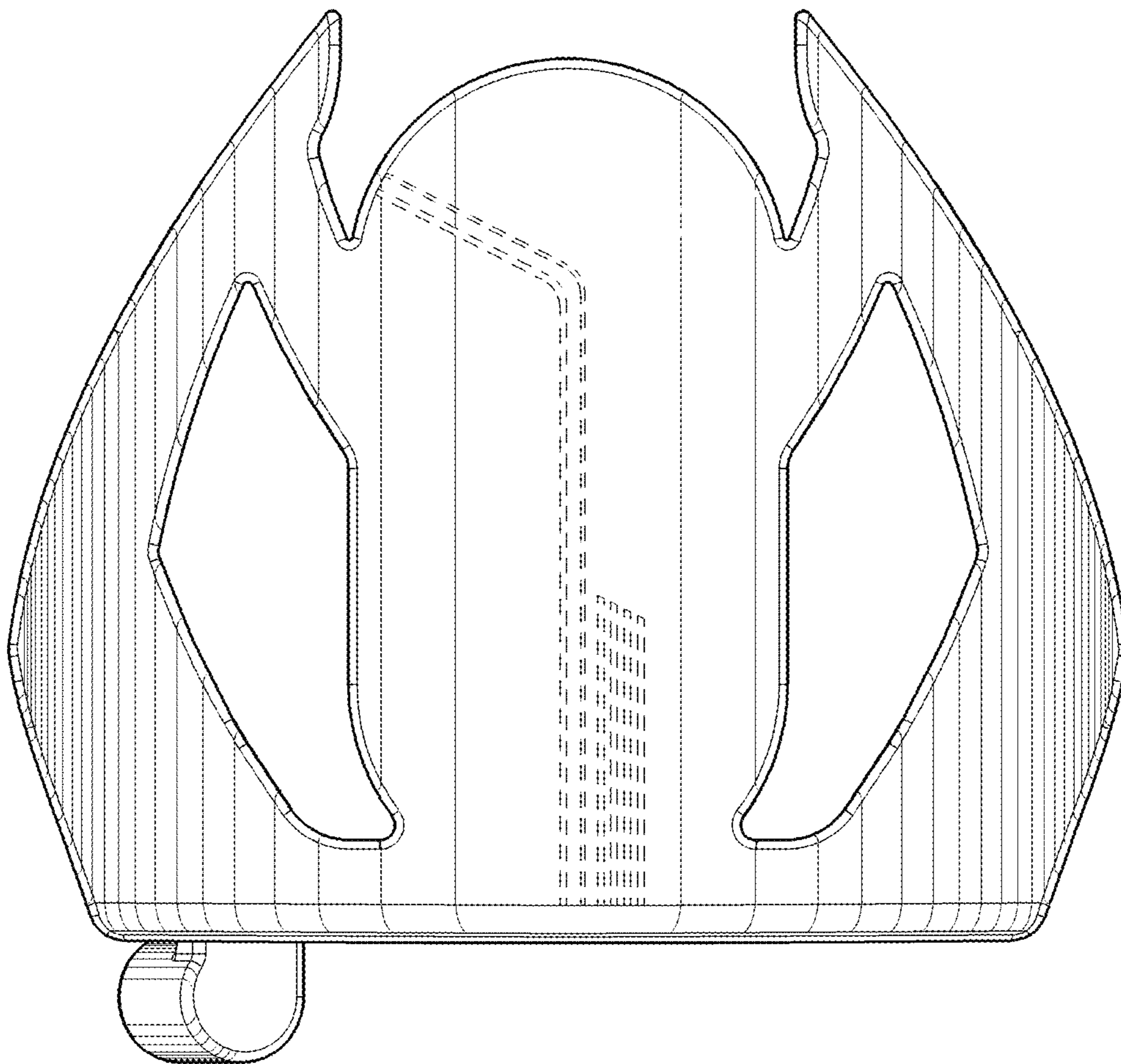


Fig. 14

Fig. 15

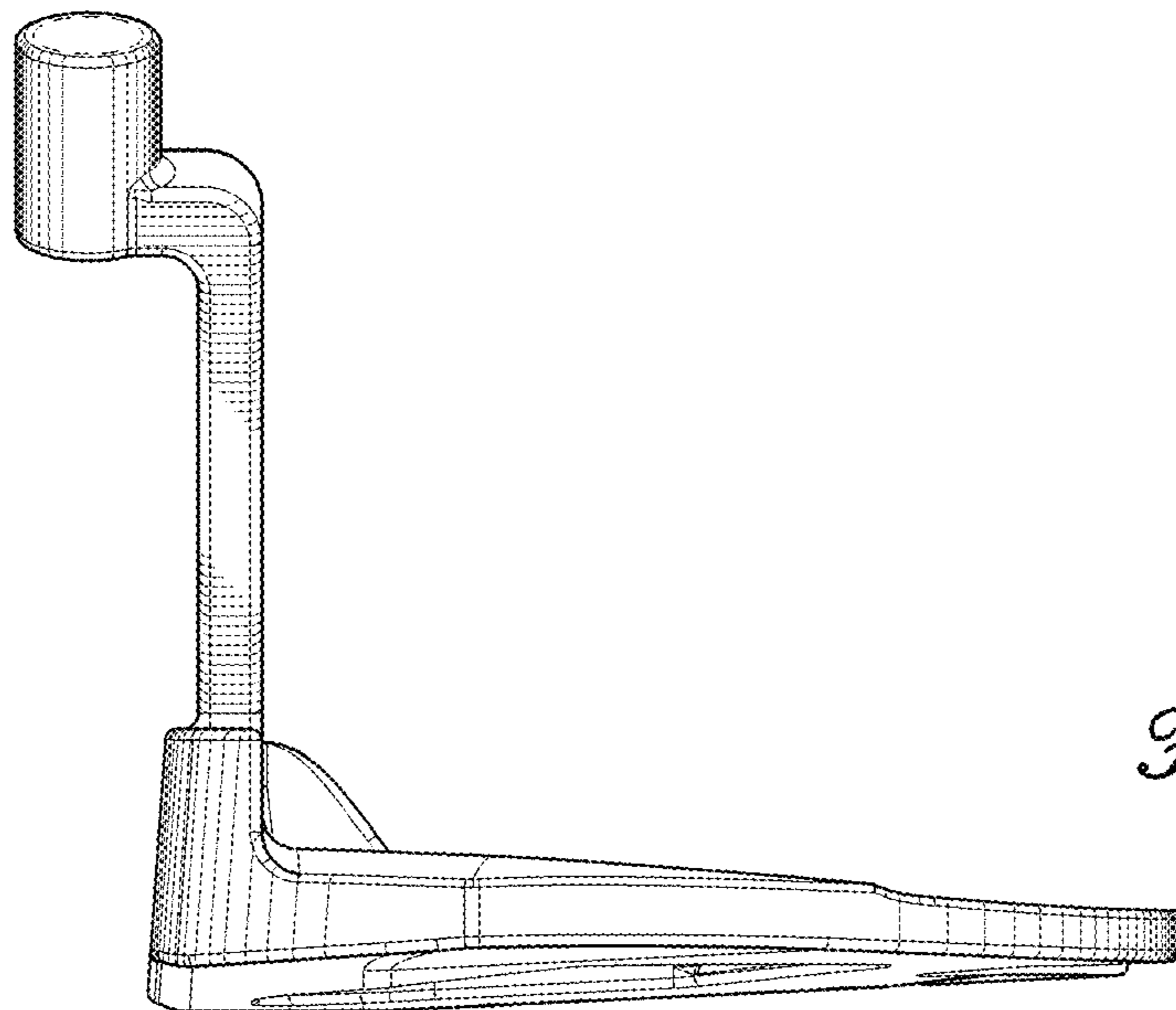
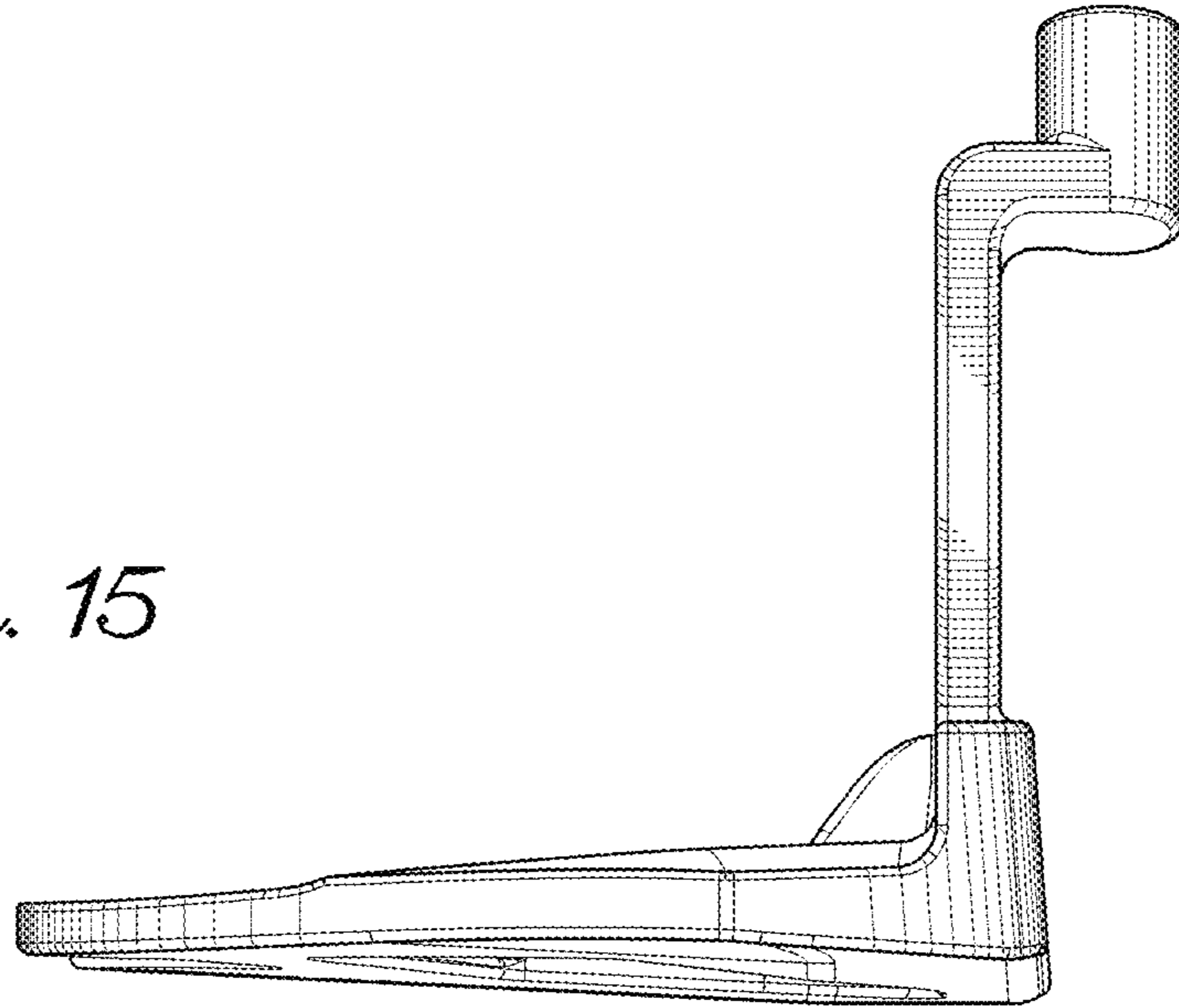


Fig. 16