



US00D796604S

(12) **United States Design Patent**  
**Serrano et al.**

(10) **Patent No.:** **US D796,604 S**

(45) **Date of Patent:** **\*\* Sep. 5, 2017**

(54) **GOLF CLUB HEAD**

(71) Applicant: **KARSTEN MANUFACTURING CORPORATION**, Phoenix, AZ (US)

(72) Inventors: **Anthony Serrano**, Anthem, AZ (US);  
**Xiaojian Chen**, Phoenix, AZ (US);  
**Calvin Wang**, Chandler, AZ (US);  
**David Higdon**, Phoenix, AZ (US)

(73) Assignee: **Karsten Manufacturing Corporation**, Phoenix, AZ (US)

(\*\*) Term: **15 Years**

(21) Appl. No.: **29/567,357**

(22) Filed: **Jun. 8, 2016**

(51) **LOC (10) Cl.** ..... **21-02**

(52) **U.S. Cl.**  
USPC ..... **D21/744**

(58) **Field of Classification Search**  
USPC ..... D21/736-746, 759  
CPC ... A63B 53/00; A63B 53/065; A63B 53/0487;  
A63B 53/007; A63B 53/04  
See application file for complete search history.

(56) **References Cited**

**U.S. PATENT DOCUMENTS**

|             |         |                 |
|-------------|---------|-----------------|
| 1,897,264 A | 2/1933  | Lamb            |
| 1,901,562 A | 3/1933  | Main            |
| 2,014,829 A | 9/1935  | Young           |
| 2,486,952 A | 11/1949 | Kearsley et al. |
| 3,042,405 A | 7/1962  | Solheim         |
| D235,668 S  | 7/1975  | Swash           |
| 3,954,265 A | 5/1976  | Taylor          |
| 4,222,566 A | 9/1980  | Berry           |
| 4,390,184 A | 6/1983  | Rudell          |
| 4,695,054 A | 9/1987  | Tunstall        |
| 4,714,252 A | 12/1987 | Roraback        |
| 4,722,528 A | 2/1988  | Tsao            |

|             |         |               |
|-------------|---------|---------------|
| 4,741,535 A | 5/1988  | Leonhardt     |
| 4,834,387 A | 5/1989  | Waites et al. |
| D323,867 S  | 2/1992  | Rizzotto      |
| D324,555 S  | 3/1992  | Evans         |
| D333,331 S  | 2/1993  | Evans         |
| 5,211,401 A | 5/1993  | Hainey        |
| D342,112 S  | 12/1993 | Diesterheft   |
| 5,320,346 A | 6/1994  | Phillips      |
| 5,320,353 A | 6/1994  | Moore         |

(Continued)

*Primary Examiner* — Mitchell Siegel

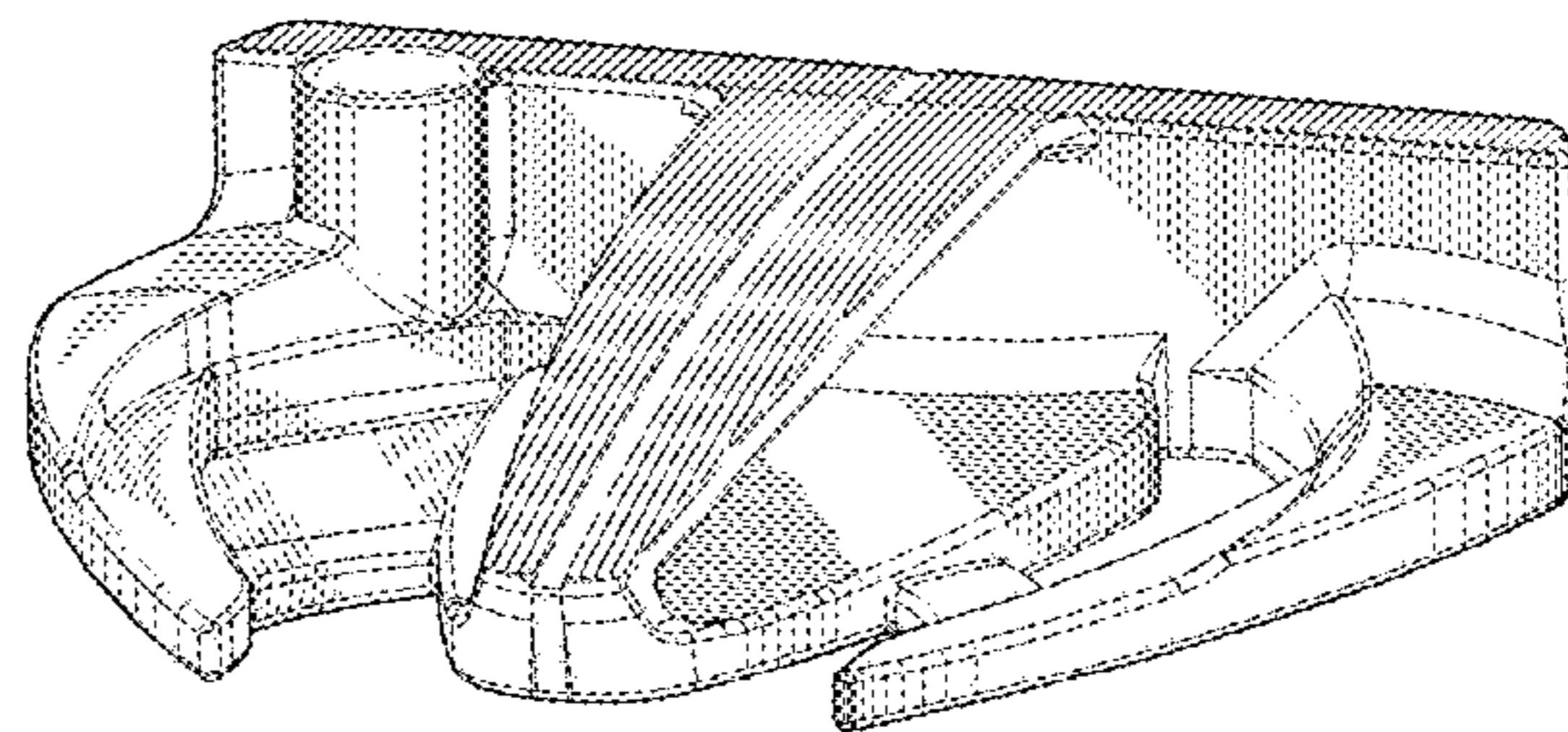
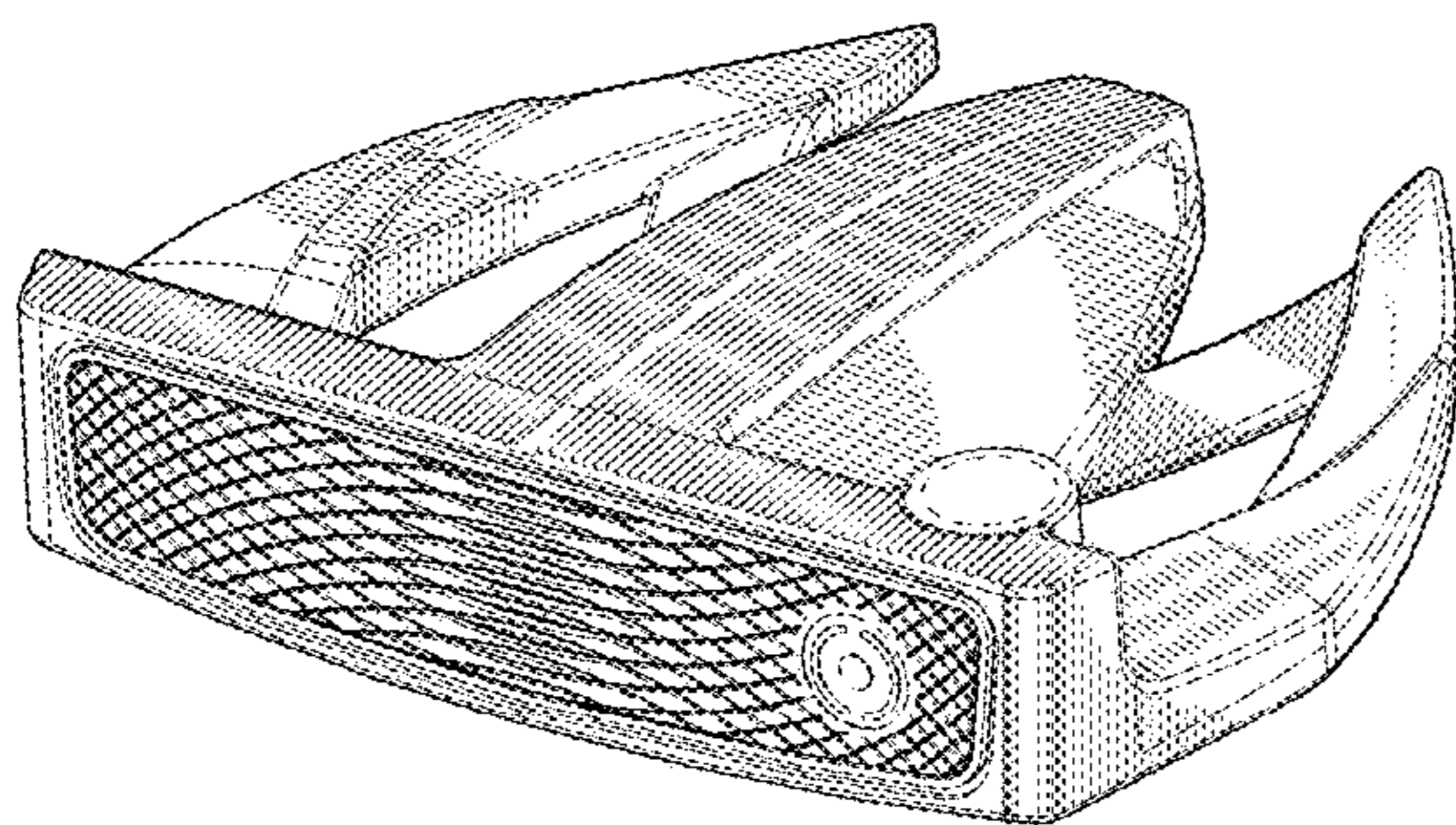
(57) **CLAIM**

The ornamental design for a golf club head, as shown and described.

**DESCRIPTION**

FIG. 1 is a top front perspective view of a golf club head; FIG. 2 is a top rear perspective view of the golf club head of FIG. 1; FIG. 3 is a front view of the golf club head of FIG. 1; FIG. 4 is a rear view of the golf club head of FIG. 1; FIG. 5 is a top view of the golf club head of FIG. 1; FIG. 6 is a bottom view of the golf club head of FIG. 1; FIG. 7 is a toe view of the golf club head of FIG. 1; FIG. 8 is a heel view of the golf club head of FIG. 1; FIG. 9 is a top front perspective view of a second embodiment of a golf club head; FIG. 10 is a top rear perspective view of the golf club head of FIG. 9; FIG. 11 is a front view of the golf club head of FIG. 9; FIG. 12 is a rear view of the golf club head of FIG. 9; FIG. 13 is a top view of the golf club head of FIG. 9; FIG. 14 is a bottom view of the golf club head of FIG. 9; FIG. 15 is a toe view of the golf club head of FIG. 9; and, FIG. 16 is a heel view of the golf club head of FIG. 9. The broken lines shown in one or more of the figures are for illustrative purposes only and form no part of the claimed design.

**1 Claim, 8 Drawing Sheets**



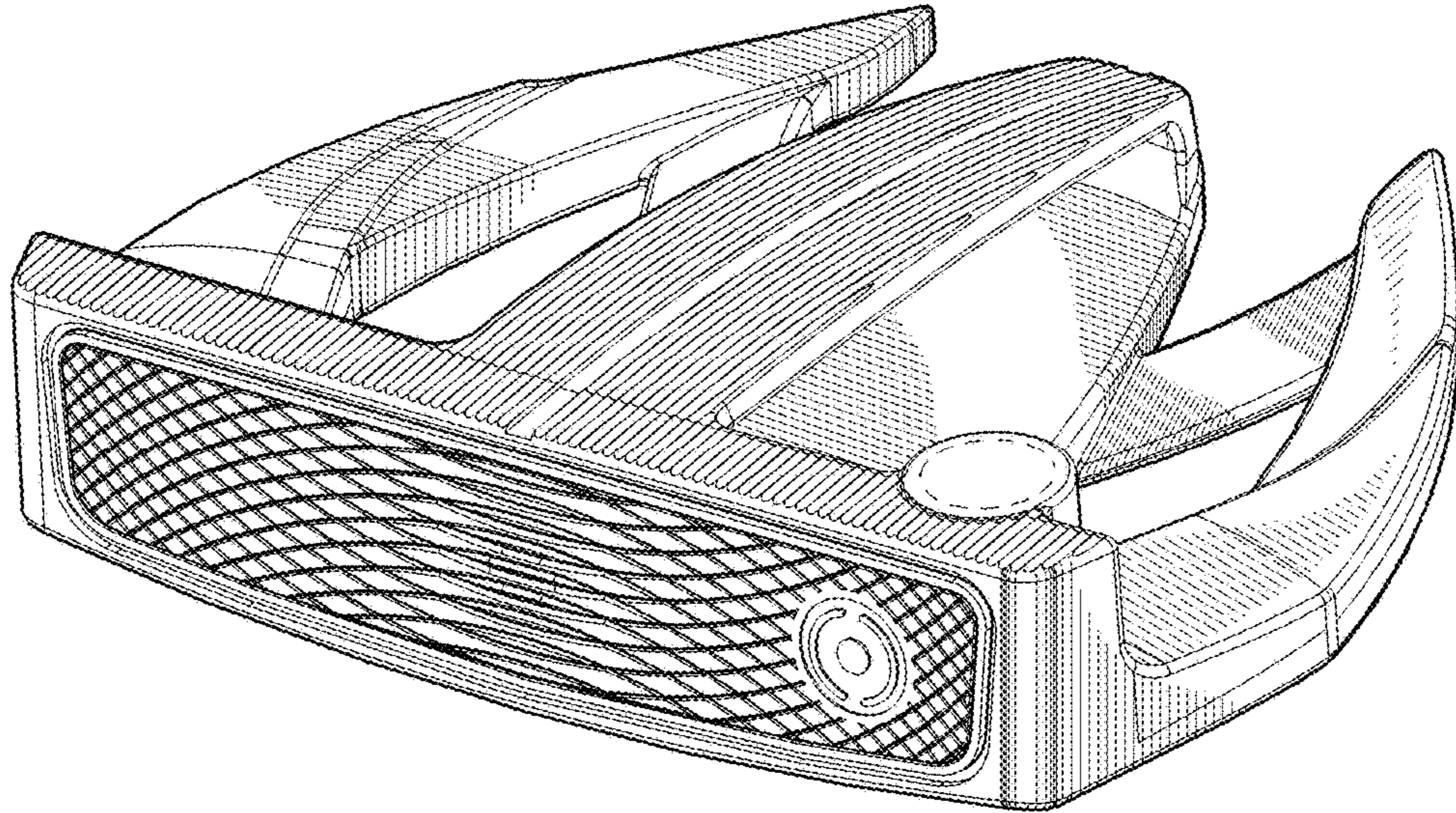
(56)

References Cited

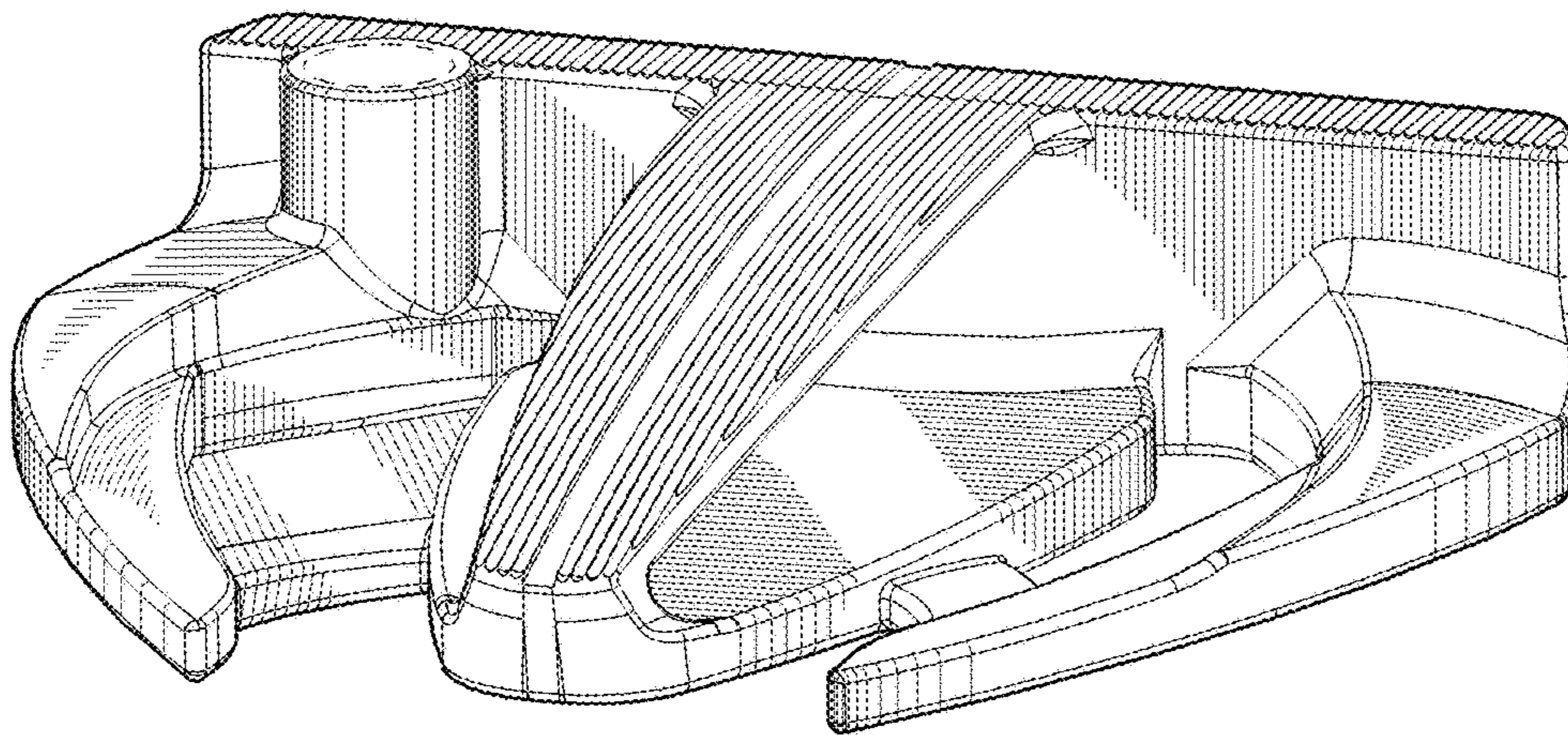
U.S. PATENT DOCUMENTS

|              |         |                      |                 |         |                          |
|--------------|---------|----------------------|-----------------|---------|--------------------------|
| 5,324,031 A  | 6/1994  | Green                | D574,907 S      | 8/2008  | Jones et al.             |
| D356,846 S   | 3/1995  | Murrill              | D574,908 S      | 8/2008  | Hettinger et al.         |
| 5,482,281 A  | 1/1996  | Anderson             | D575,366 S      | 8/2008  | Rollinson                |
| 5,580,058 A  | 12/1996 | Coughlin             | D577,398 S      | 9/2008  | Hilton                   |
| 5,716,290 A  | 2/1998  | Baker et al.         | D579,505 S      | 10/2008 | Jones                    |
| 5,820,481 A  | 10/1998 | Raudman              | 7,455,599 B2    | 11/2008 | Jones                    |
| D449,085 S   | 10/2001 | Breier et al.        | D582,497 S      | 12/2008 | Rollinson                |
| 6,402,638 B1 | 6/2002  | Kelley               | D583,886 S      | 12/2008 | Cameron                  |
| D477,041 S   | 7/2003  | Cameron              | D585,510 S      | 1/2009  | Murrieta                 |
| 6,634,956 B1 | 10/2003 | Pegg                 | 7,481,713 B2    | 1/2009  | Beckman                  |
| 6,663,497 B2 | 12/2003 | Cameron              | D587,325 S      | 2/2009  | Solheim et al.           |
| D488,200 S   | 4/2004  | Olsavsky et al.      | D589,575 S      | 3/2009  | Kim                      |
| D494,237 S   | 8/2004  | Ware                 | D590,035 S      | 4/2009  | Hilton                   |
| D499,778 S   | 12/2004 | Cameron              | D590,461 S      | 4/2009  | Kim et al.               |
| D500,109 S   | 12/2004 | Solheim et al.       | D591,371 S      | 4/2009  | Hilton                   |
| D500,110 S   | 12/2004 | Solheim et al.       | D591,372 S      | 4/2009  | Tang et al.              |
| D500,539 S   | 1/2005  | Holloway             | D591,806 S *    | 5/2009  | Cameron ..... D21/743    |
| D502,234 S   | 2/2005  | Grace                | D591,807 S      | 5/2009  | Rollinson                |
| D502,748 S   | 3/2005  | Burrows              | D592,717 S      | 5/2009  | Rollinson                |
| D505,702 S   | 5/2005  | Wood                 | D594,073 S      | 6/2009  | Kadoya                   |
| D506,796 S   | 6/2005  | Li                   | D594,517 S      | 6/2009  | Tang et al.              |
| D507,613 S   | 7/2005  | Baiocchi             | D594,917 S      | 6/2009  | Stellander               |
| D508,273 S   | 8/2005  | Garner et al.        | D595,372 S      | 6/2009  | Rollinson                |
| D510,394 S   | 10/2005 | Tang et al.          | D595,373 S      | 6/2009  | Kim et al.               |
| 6,960,140 B2 | 11/2005 | Solheim et al.       | D595,793 S      | 7/2009  | Rollinson                |
| 6,966,845 B2 | 11/2005 | Solheim et al.       | D596,685 S      | 7/2009  | Wallans                  |
| D513,050 S   | 12/2005 | Grimaldo             | D599,423 S      | 9/2009  | Serrano et al.           |
| D514,182 S   | 1/2006  | Olsavsky et al.      | D599,424 S      | 9/2009  | Serrano et al.           |
| D515,646 S   | 2/2006  | Perry                | D599,425 S      | 9/2009  | Laub                     |
| 7,004,849 B2 | 2/2006  | Cameron              | D599,868 S      | 9/2009  | Serrano et al.           |
| D517,143 S   | 3/2006  | Petsel               | D599,869 S      | 9/2009  | Serrano et al.           |
| D518,127 S   | 3/2006  | Tang et al.          | D599,870 S      | 9/2009  | Serrano et al.           |
| D520,583 S   | 5/2006  | Rollinson et al.     | D600,298 S      | 9/2009  | Serrano et al.           |
| D521,582 S   | 5/2006  | Souza et al.         | D600,760 S      | 9/2009  | Serrano et al.           |
| 7,052,411 B2 | 5/2006  | Solheim et al.       | D600,761 S      | 9/2009  | Solheim et al.           |
| D522,598 S   | 6/2006  | Solheim et al.       | D600,762 S      | 9/2009  | Serrano et al.           |
| 7,077,758 B2 | 7/2006  | Rohrer               | D601,214 S      | 9/2009  | Serrano et al.           |
| D527,777 S   | 9/2006  | Solheim et al.       | D603,008 S      | 10/2009 | Donahue                  |
| D529,560 S   | 10/2006 | Madore               | 7,601,076 B2    | 10/2009 | Rollinson                |
| D532,842 S   | 11/2006 | Jones et al.         | D604,787 S      | 11/2009 | Hopkins                  |
| D532,843 S   | 11/2006 | Jones et al.         | D606,139 S      | 12/2009 | Ines et al.              |
| D532,845 S   | 11/2006 | Rollinson            | 7,645,199 B2    | 1/2010  | Cameron                  |
| D532,846 S   | 11/2006 | Lee et al.           | D621,459 S      | 8/2010  | Serrano et al.           |
| D533,243 S   | 12/2006 | Fife et al.          | D621,460 S      | 8/2010  | Serrano et al.           |
| D533,609 S   | 12/2006 | Moore                | D621,461 S      | 8/2010  | Serrano et al.           |
| 7,147,569 B2 | 12/2006 | Tang et al.          | D621,462 S      | 8/2010  | Serrano et al.           |
| D534,974 S   | 1/2007  | Haack                | D621,891 S      | 8/2010  | Serrano et al.           |
| D536,400 S   | 2/2007  | DiBattista           | D623,709 S      | 9/2010  | Serrano et al.           |
| D537,135 S   | 2/2007  | Rollinson et al.     | D638,891 S *    | 5/2011  | Nicolette ..... D21/736  |
| D539,860 S   | 4/2007  | Fussell              | D641,439 S *    | 7/2011  | Rollinson ..... D21/736  |
| D542,873 S   | 5/2007  | Oldknow              | D641,814 S *    | 7/2011  | Hilton ..... D21/742     |
| D545,385 S   | 6/2007  | Tang et al.          | D643,485 S *    | 8/2011  | Nicolette ..... D21/736  |
| D548,295 S   | 8/2007  | Jertson et al.       | D653,718 S *    | 2/2012  | Stokke ..... D21/743     |
| 7,255,650 B2 | 8/2007  | Braynt et al.        | D691,226 S      | 10/2013 | Hilton et al.            |
| D552,197 S   | 10/2007 | Wells et al.         | D732,121 S *    | 6/2015  | Trahan ..... D21/742     |
| D557,361 S   | 12/2007 | Rollinson            | D750,186 S *    | 2/2016  | Schweigert ..... D21/746 |
| 7,326,121 B2 | 2/2008  | Roake                | D774,610 S *    | 12/2016 | Serrano ..... D21/744    |
| D564,606 S   | 3/2008  | Oldknow et al.       | D783,101 S *    | 4/2017  | Schweigert ..... D21/736 |
| D564,607 S   | 3/2008  | Oldknow et al.       | 2003/0228925 A1 | 12/2003 | Rohrer                   |
| D565,138 S   | 3/2008  | Wilson               | 2007/0021229 A1 | 1/2007  | Haack                    |
| D568,954 S   | 5/2008  | Oldknow et al.       | 2007/0049402 A1 | 3/2007  | Sanchez et al.           |
| D569,460 S * | 5/2008  | Walker ..... D21/743 | 2007/0298904 A1 | 12/2007 | Dworzan                  |
| D569,461 S   | 5/2008  | Morris               | 2009/0029800 A1 | 1/2009  | Jones et al.             |
| D569,462 S   | 5/2008  | Rollinson            | 2009/0105008 A1 | 4/2009  | Kuan et al.              |
| D571,877 S   | 6/2008  | Jones et al.         | 2009/0170629 A1 | 7/2009  | Hilton                   |
| D571,879 S   | 6/2008  | Jones et al.         | 2009/0270196 A1 | 10/2009 | Solheim et al.           |
| 7,390,267 B2 | 6/2008  | Grace                | 2009/0270198 A1 | 10/2009 | Solheim et al.           |
| D573,673 S   | 7/2008  | Noyes                | 2009/0305806 A1 | 12/2009 | Campadore et al.         |
|              |         |                      | 2009/0305807 A1 | 12/2009 | Solheim et al.           |

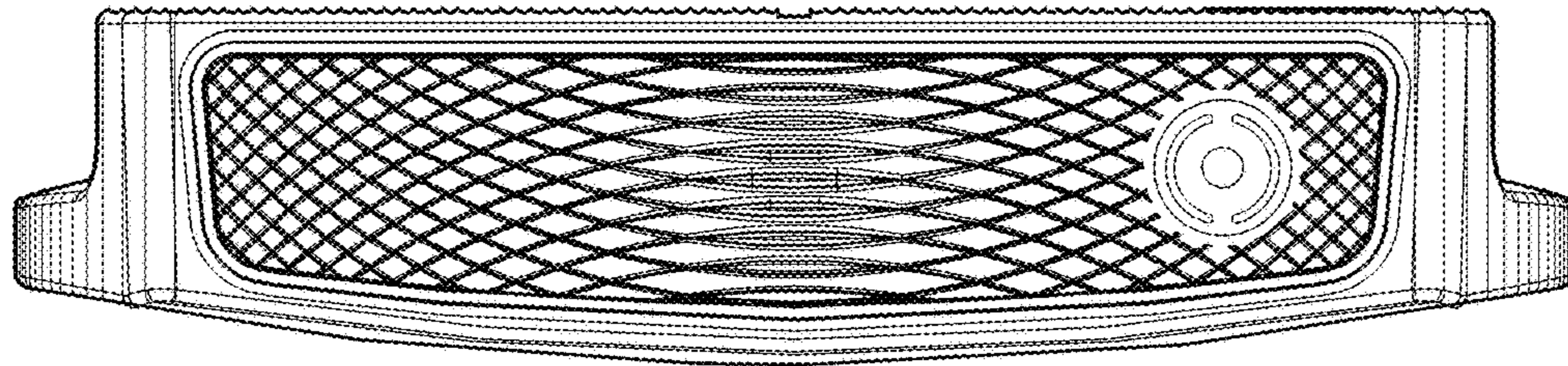
\* cited by examiner



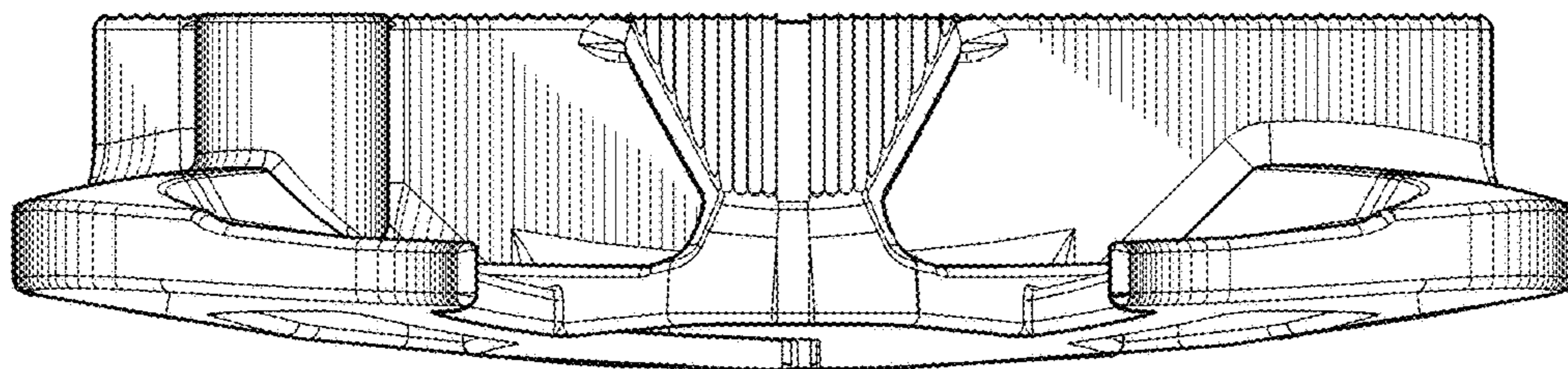
*Fig. 1*



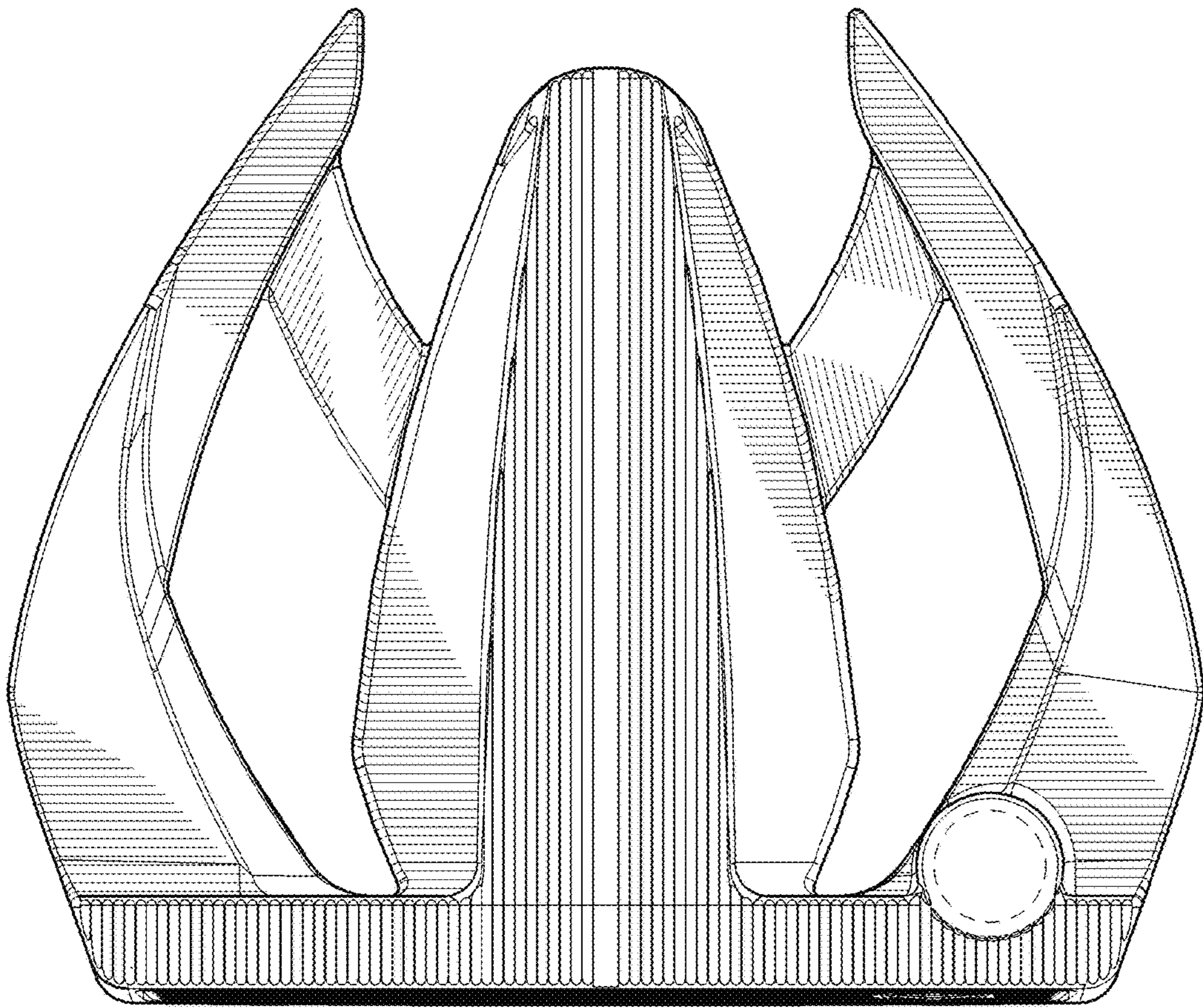
*Fig. 2*



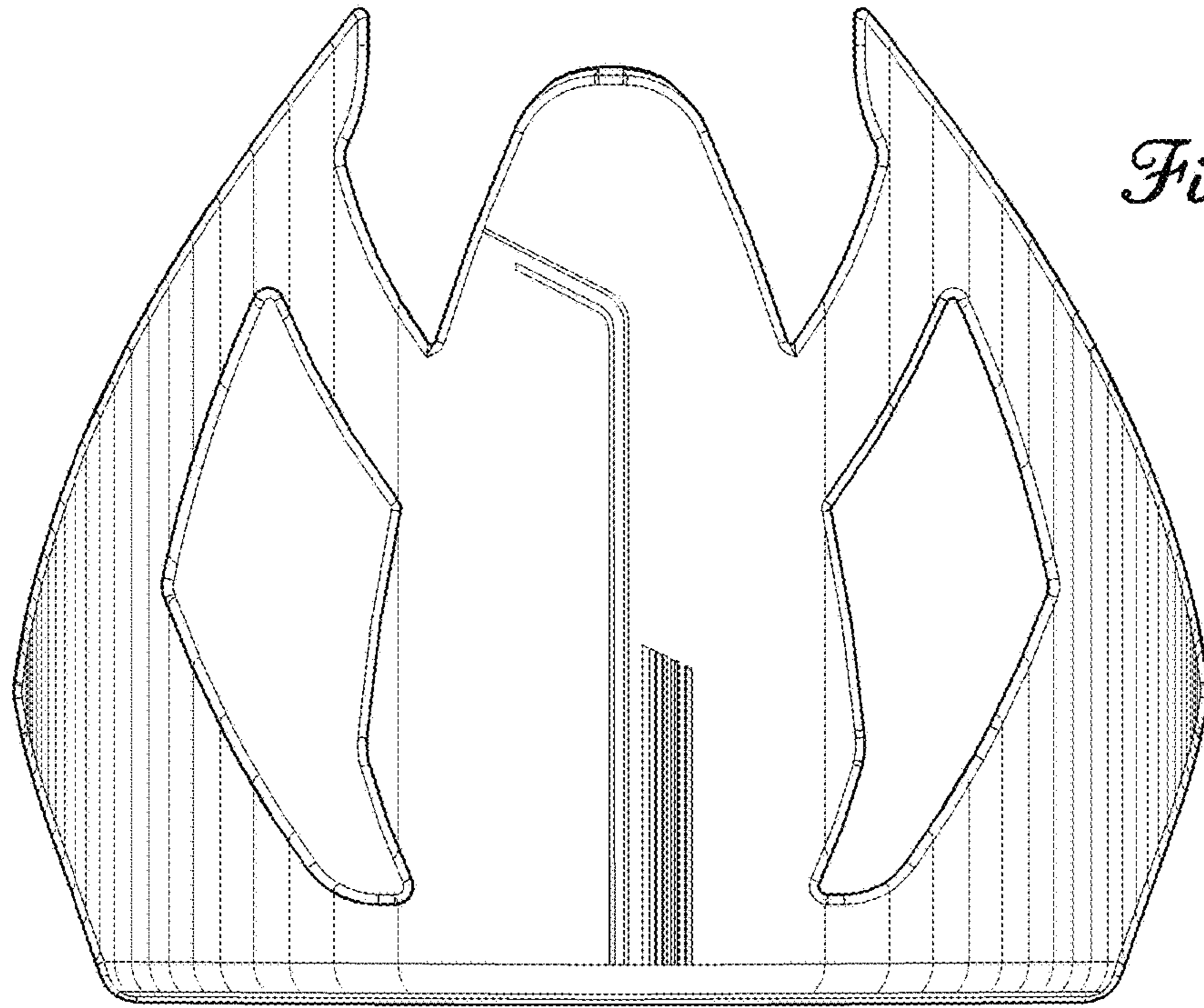
*Fig. 3*



*Fig. 4*

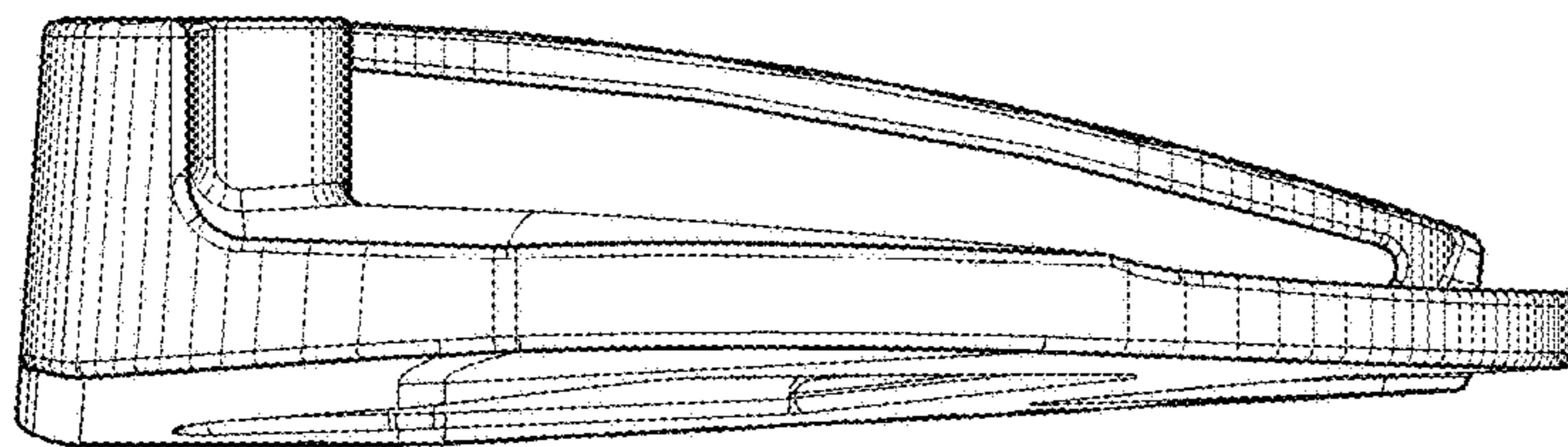
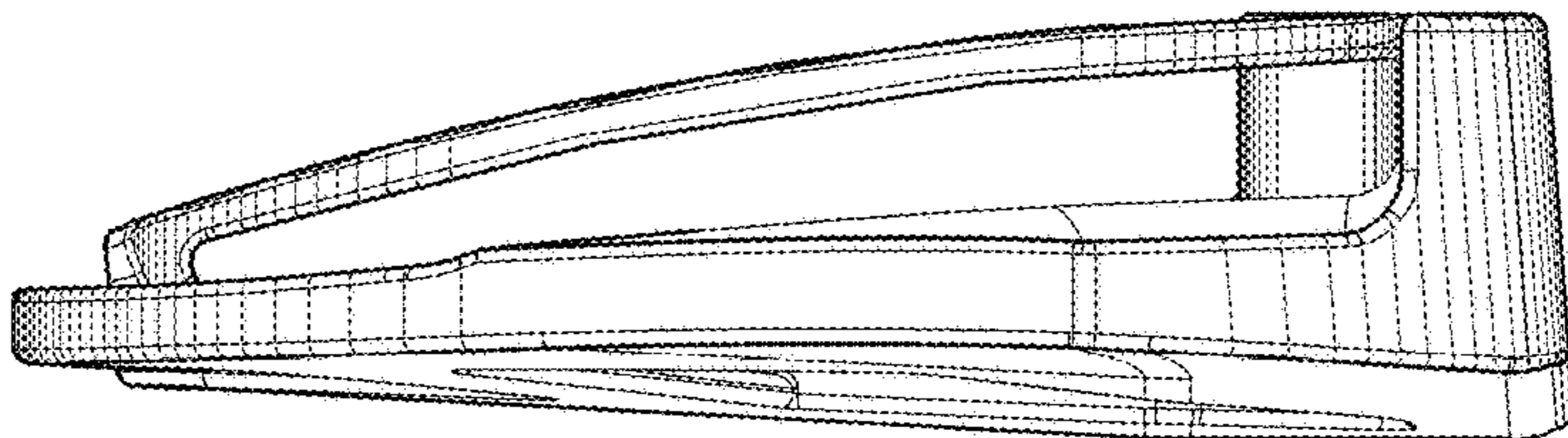


*Fig. 5*

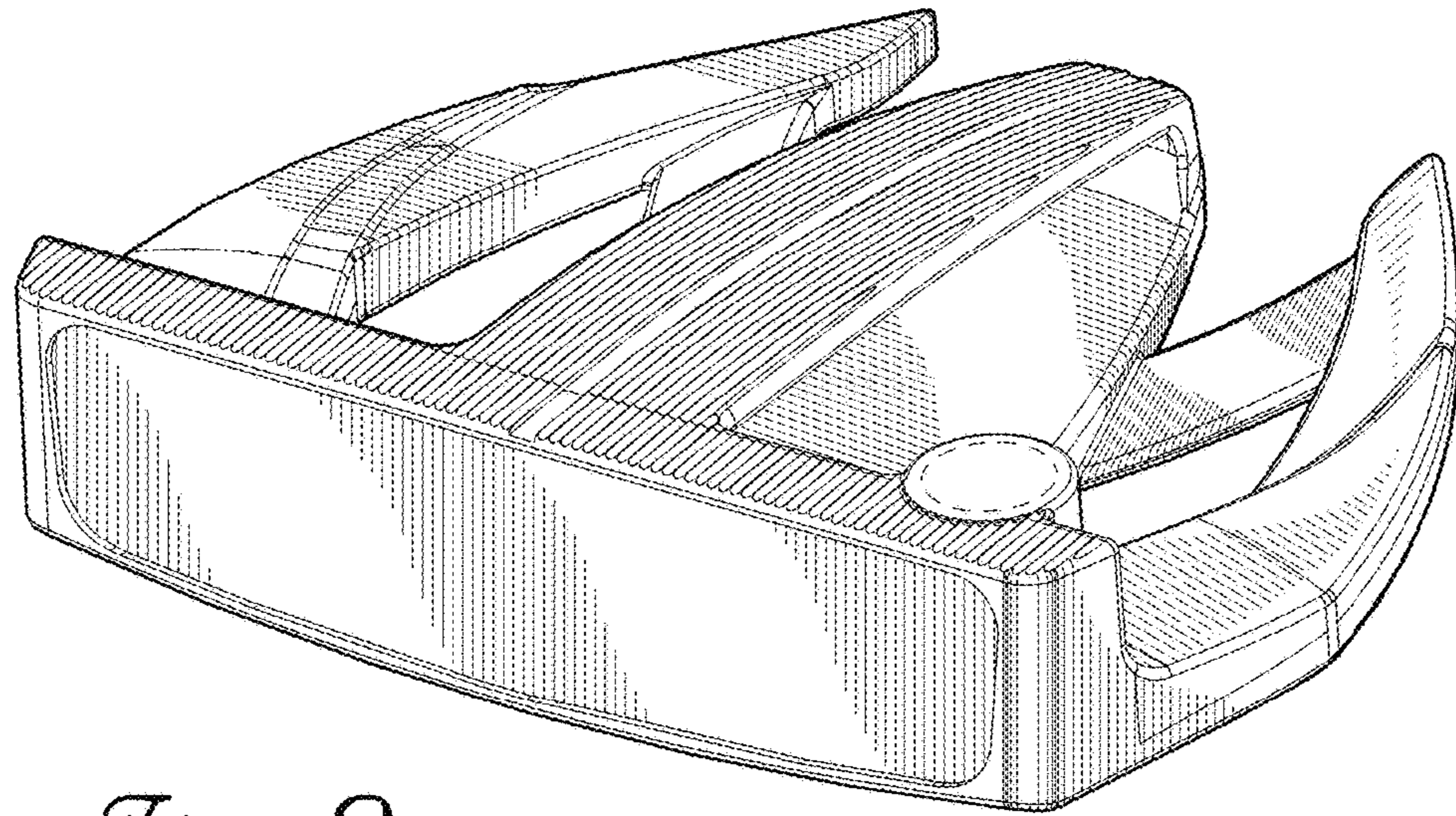


*Fig. 6*

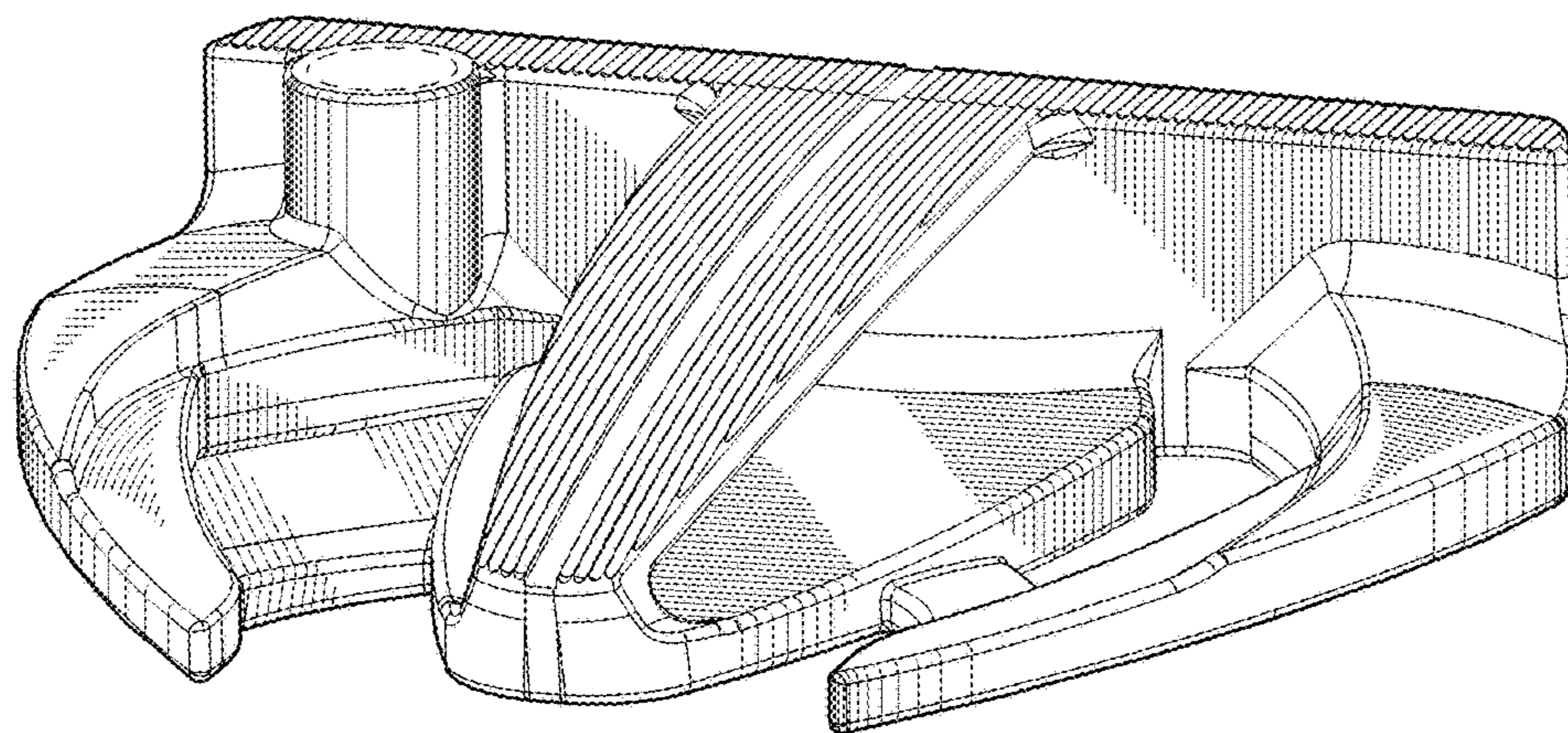
*Fig. 7*



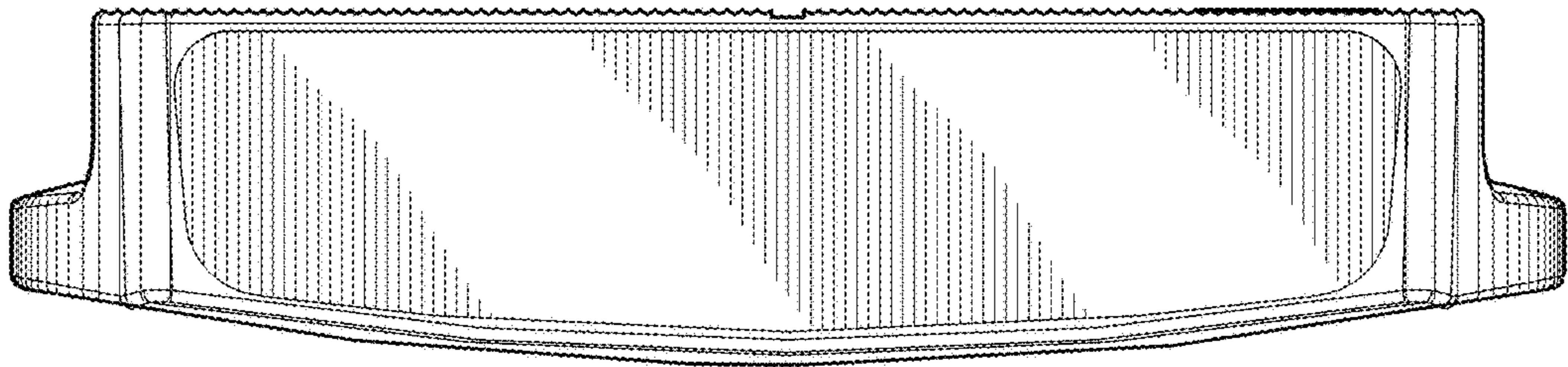
*Fig. 8*



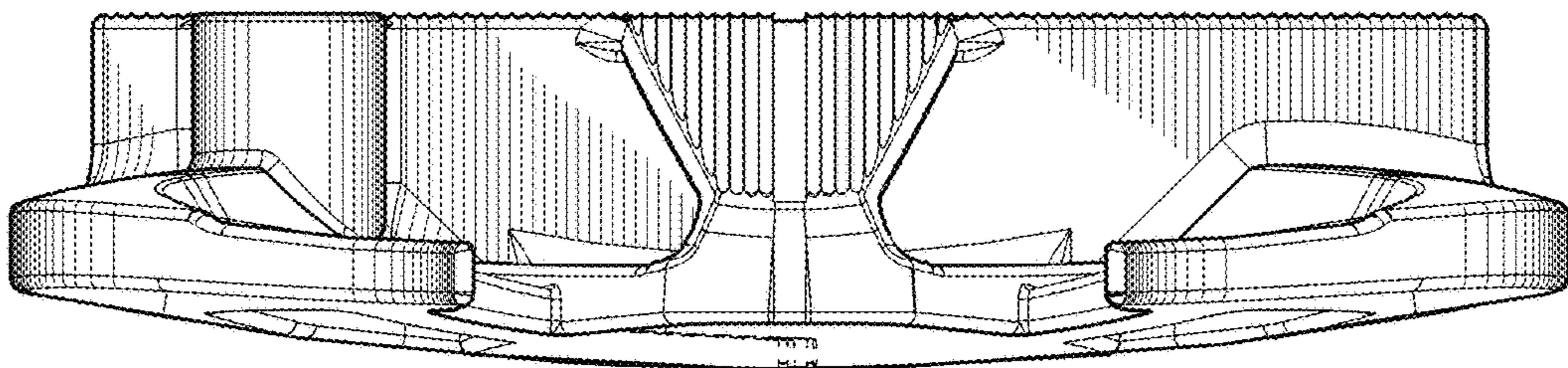
*Fig. 9*



*Fig. 10*

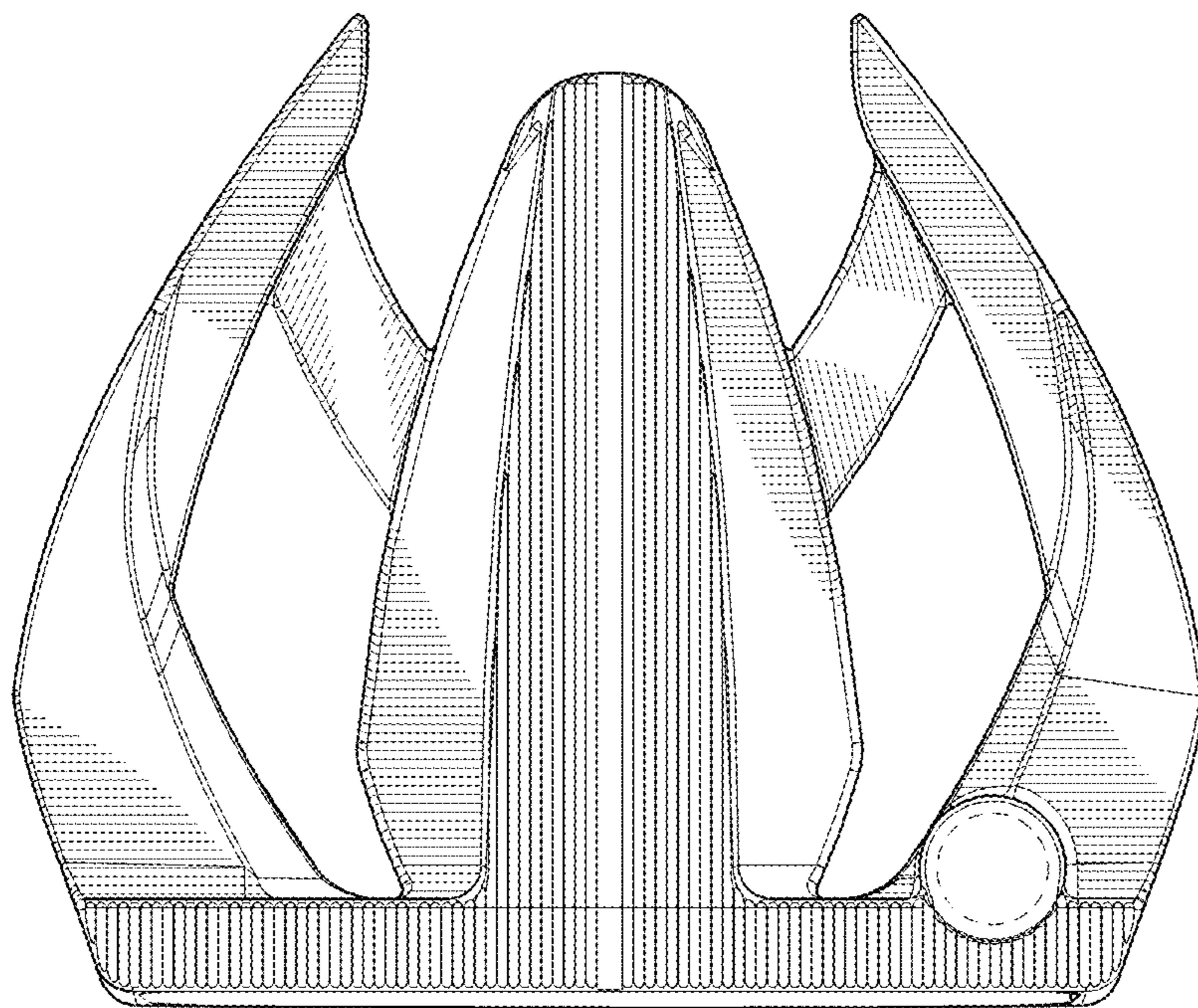


*Fig. 11*

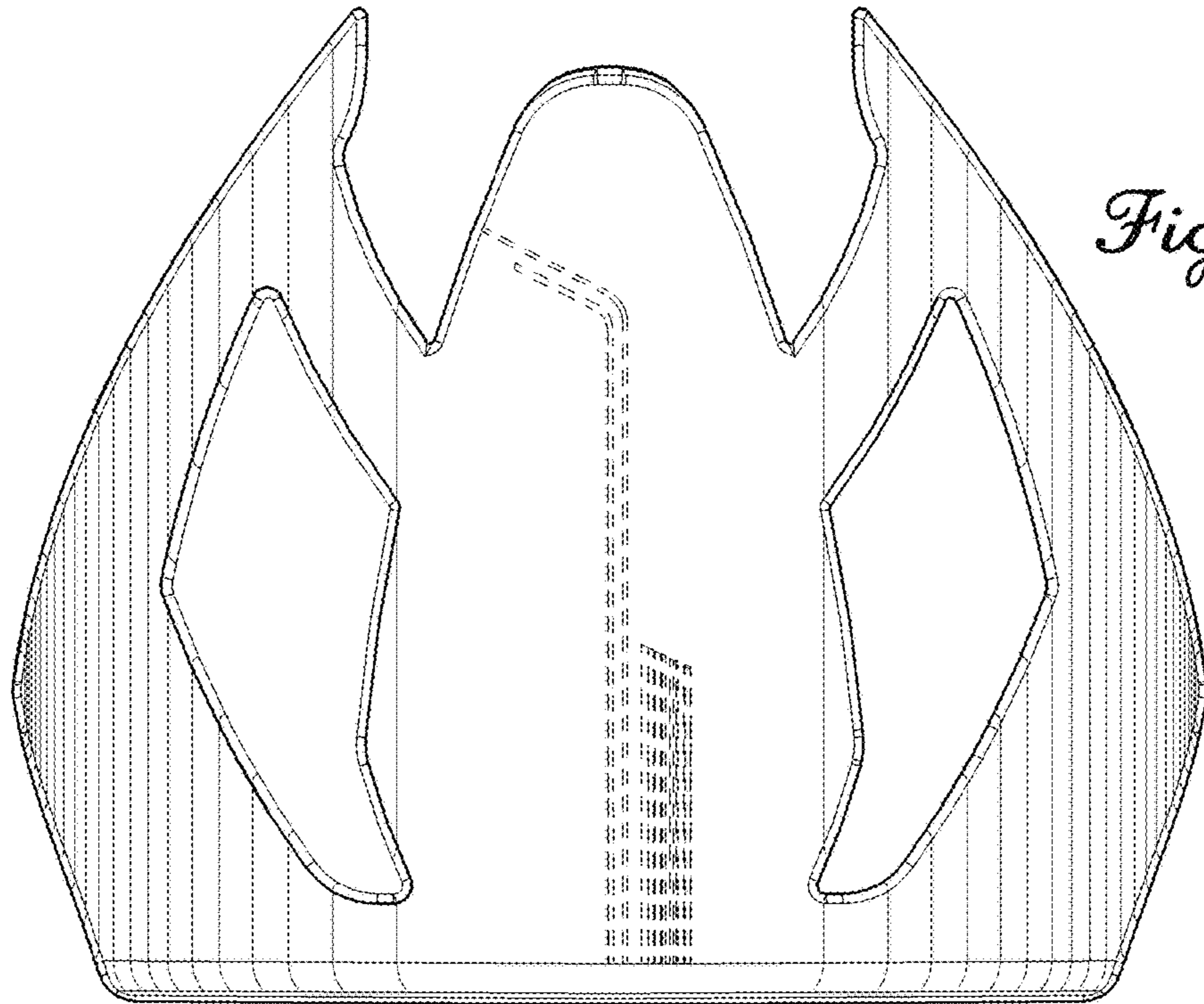


*Fig. 12*



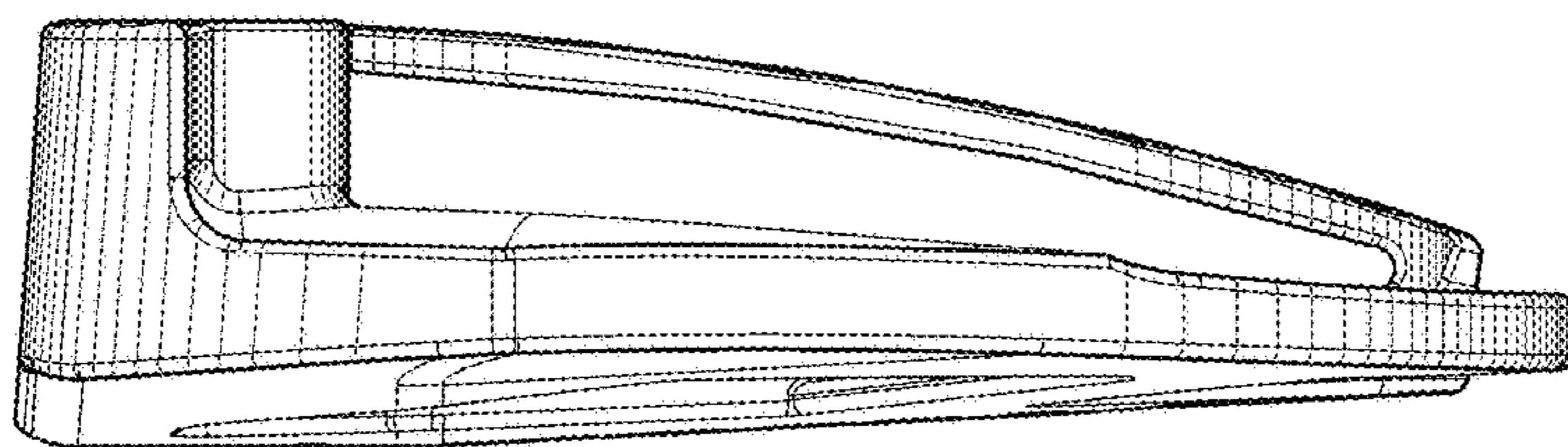
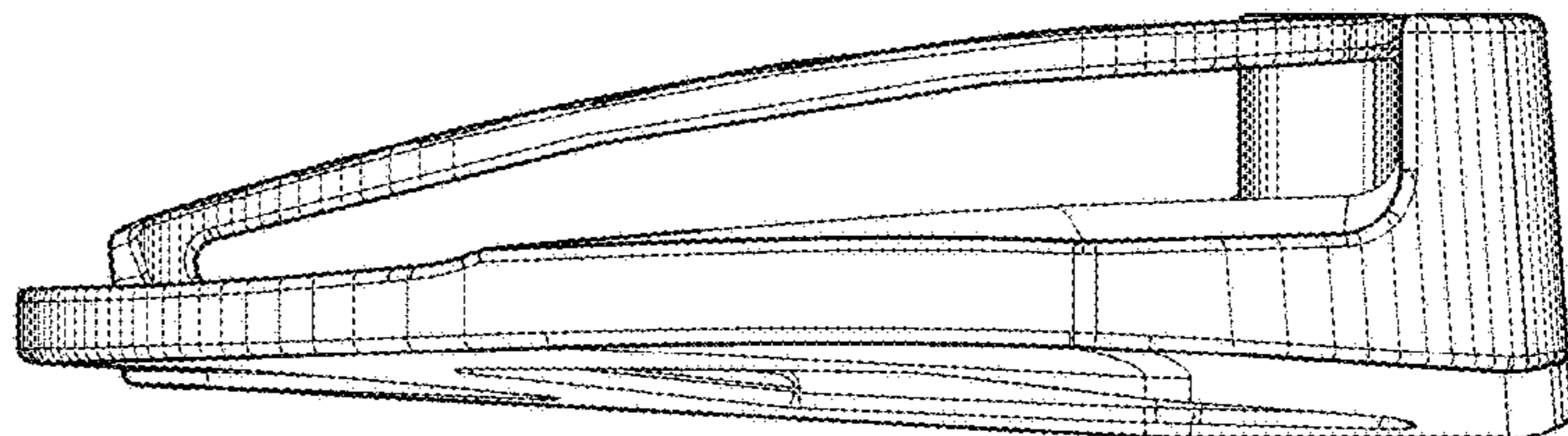


*Fig. 13*



*Fig. 14*

*Fig. 15*



*Fig. 16*