



US00D796601S

(12) **United States Design Patent**
Serrano et al.

(10) **Patent No.:** **US D796,601 S**

(45) **Date of Patent:** **** Sep. 5, 2017**

(54) **GOLF CLUB HEAD**

(71) Applicant: **KARSTEN MANUFACTURING CORPORATION**, Phoenix, AZ (US)

(72) Inventors: **Anthony Serrano**, Anthem, AZ (US);
Xiaojian Chen, Phoenix, AZ (US);
Calvin Wang, Chandler, AZ (US);
David Higdon, Phoenix, AZ (US)

(73) Assignee: **Karsten Manufacturing Corporation**, Phoenix, AZ (US)

(**) Term: **15 Years**

(21) Appl. No.: **29/567,316**

(22) Filed: **Jun. 7, 2016**

(51) **LOC (10) Cl.** **21-02**

(52) **U.S. Cl.**
USPC **D21/743**

(58) **Field of Classification Search**
USPC D21/736-746, 759
CPC ... A63B 53/00; A63B 53/065; A63B 53/0487;
A63B 53/007; A63B 53/04
See application file for complete search history.

(56) **References Cited**

U.S. PATENT DOCUMENTS

1,897,264 A	2/1933	Lamb
1,901,562 A	3/1933	Main
2,014,829 A	9/1935	Young
2,486,952 A	11/1949	Kearsley
3,042,405 A	1/1962	Solheim
D196,734 S	10/1963	Solheim
D202,715 S	11/1965	Solheim
D203,512 S	1/1966	Solheim
D207,227 S	3/1967	Solheim
D207,228 S	3/1967	Solheim
D209,761 S	1/1968	Solheim
D213,509 S	3/1969	Solheim

D218,178 S	7/1970	Solheim
D231,375 S	4/1974	Solheim
D235,668 S	7/1975	Swash
D239,778 S	5/1976	Solheim
3,954,265 A	5/1976	Taylor
D255,373 S	6/1980	Solheim
4,222,566 A	9/1980	Berry
D263,614 S	3/1982	Solheim
4,390,184 A	6/1983	Rudell

(Continued)

Primary Examiner — Mitchell Siegel

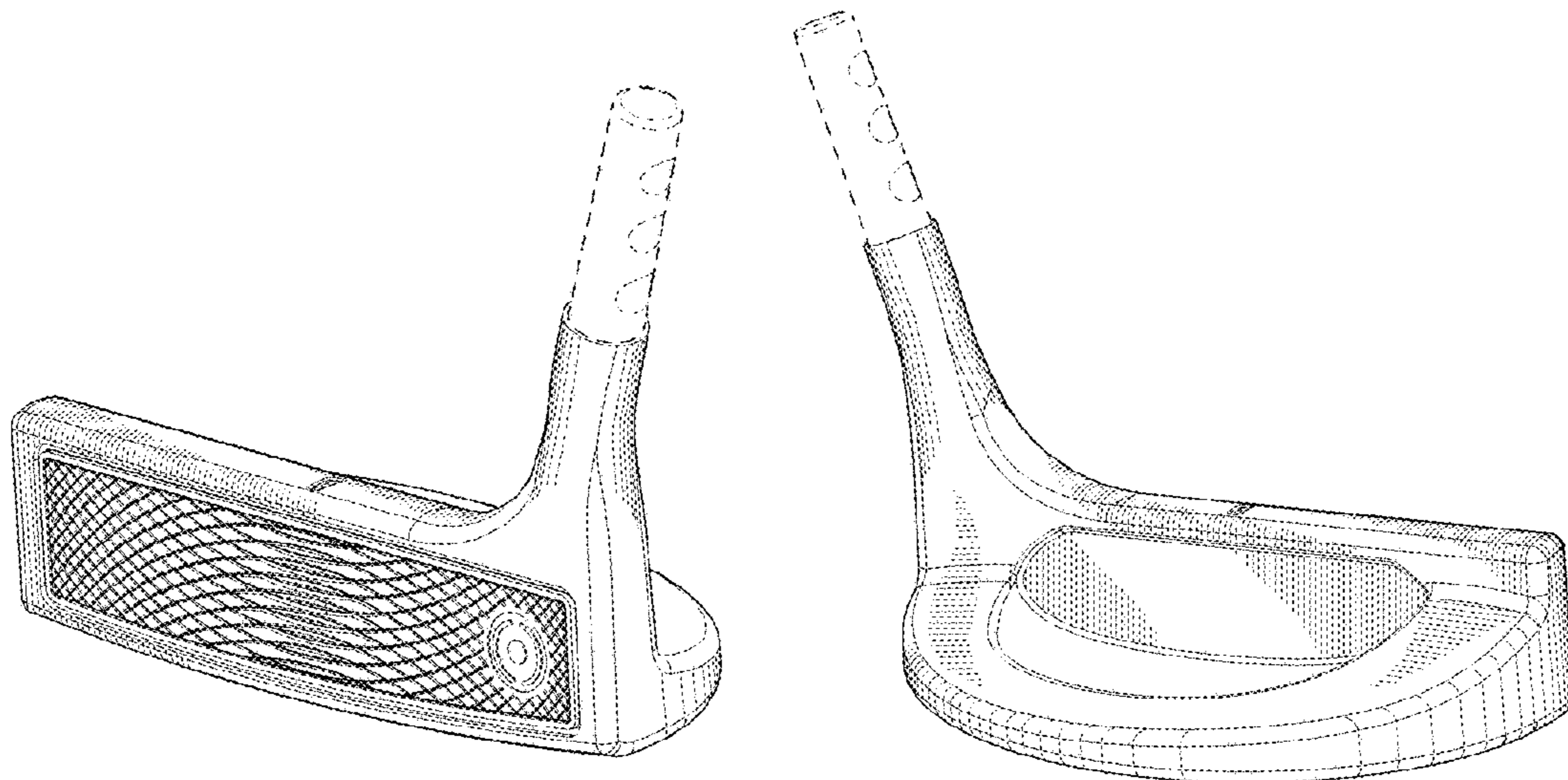
(57) **CLAIM**

The ornamental design for a golf club head, as shown and described.

DESCRIPTION

FIG. 1 is a top front perspective view of a golf club head; FIG. 2 is a top rear perspective view of the golf club head of FIG. 1; FIG. 3 is a front view of the golf club head of FIG. 1; FIG. 4 is a rear view of the golf club head of FIG. 1; FIG. 5 is a top view of the golf club head of FIG. 1; FIG. 6 is a bottom view of the golf club head of FIG. 1; FIG. 7 is a toe view of the golf club head of FIG. 1; FIG. 8 is a heel view of the golf club head of FIG. 1; FIG. 9 is a top front perspective view of a second embodiment of a golf club head; FIG. 10 is a top rear perspective view of the golf club head of FIG. 9; FIG. 11 is a front view of the golf club head of FIG. 9; FIG. 12 is a rear view of the golf club head of FIG. 9; FIG. 13 is a top view of the golf club head of FIG. 9; FIG. 14 is a bottom view of the golf club head of FIG. 9; FIG. 15 is a toe view of the golf club head of FIG. 9; and, FIG. 16 is a heel view of the golf club head of FIG. 9. The broken lines shown in one or more of the Figures are for illustrative purposes only and form no part of the claimed design.

1 Claim, 8 Drawing Sheets



(56)

References Cited

U.S. PATENT DOCUMENTS

4,527,799	A	7/1985	Solheim		7,004,849	B2	2/2006	Cameron
D283,039	S	3/1986	Solheim		D517,143	S	3/2006	Petsel
4,695,054	A	9/1987	Tunstall		D518,127	S	3/2006	Tang
4,714,252	A	12/1987	Roraback		D520,583	S	5/2006	Rollinson
4,722,528	A	2/1988	Tsao		D521,582	S	5/2006	Souza
4,741,535	A	5/1988	Leonhardt		7,052,411	B2	5/2006	Solheim
4,834,387	A	5/1989	Waites		D522,598	S	6/2006	Solheim
D315,005	S	2/1991	Solheim		D524,887	S	7/2006	Jones
D324,555	S	3/1992	Evans		D525,327	S	7/2006	Jones
D333,331	S	2/1993	Evans		D525,328	S	7/2006	Solheim
5,211,401	A	5/1993	Hainey		D525,329	S	7/2006	Jones
5,226,654	A	7/1993	Solheim		7,077,758	B2	7/2006	Rohrer
D341,405	S	11/1993	Solheim		D527,777	S	9/2006	Solheim
D342,112	S	12/1993	Diesterheft		D529,560	S	10/2006	Madore
5,320,346	A	6/1994	Phillips		D532,842	S	11/2006	Jones
5,320,353	A	6/1994	Moore		D532,843	S	11/2006	Jones
5,324,031	A	6/1994	Green		D532,845	S	11/2006	Rollinson
D356,615	S	3/1995	Solheim		D532,846	S	11/2006	Lee
D356,844	S	3/1995	Solheim		D533,243	S	12/2006	Fife, Jr.
D356,846	S	3/1995	Murrill		D533,609	S	12/2006	Moore
D357,291	S	4/1995	Solheim		7,147,569	B2	12/2006	Tang
5,482,281	A	1/1996	Anderson		D534,974	S	1/2007	Haack
D368,751	S	* 4/1996	Rife	D21/745	D536,400	S	2/2007	DiBattista, Sr.
D375,768	S	11/1996	Solheim		D537,135	S	2/2007	Rollinson
5,580,058	A	12/1996	Coughlin		D539,860	S	4/2007	Fussell
D379,484	S	5/1997	Solheim		D542,873	S	5/2007	Oldknow
D380,246	S	6/1997	Solheim		D545,385	S	6/2007	Tang
5,716,290	A	2/1998	Baker		D547,403	S	7/2007	Serrano
D394,887	S	* 6/1998	Bottema	D21/745	D547,404	S	7/2007	Serrano
D399,911	S	10/1998	Nicolette et al.		D547,405	S	7/2007	Serrano
5,820,481	A	10/1998	Raudman		D548,295	S	8/2007	Jertson
D400,610	S	11/1998	Cameron et al.		D552,197	S	10/2007	Wells
D402,343	S	* 12/1998	Helmstetter	D21/736	D557,361	S	12/2007	Rollinson
D405,836	S	2/1999	Nicolette		7,326,121	B2	2/2008	Roake
D405,856	S	* 2/1999	Tang	D21/744	D564,606	S	3/2008	Oldknow
D407,445	S	3/1999	Rollinson et al.		D564,607	S	3/2008	Oldknow
D410,267	S	5/1999	Solheim		D565,138	S	3/2008	Wilson
D411,271	S	6/1999	Nelson		D569,461	S	5/2008	Morris
D428,086	S	7/2000	Solheim		D569,462	S	5/2008	Rollinson
D441,820	S	5/2001	Nicolette		D571,877	S	6/2008	Jones
D443,905	S	6/2001	Nicolette		D571,878	S	6/2008	Jones
D444,833	S	7/2001	Wells		D571,879	S	6/2008	Jones
D450,799	S	11/2001	Nicolette		7,390,267	B2	6/2008	Grace
D451,973	S	12/2001	Wells		D573,673	S	7/2008	Noyes
D454,169	S	3/2002	Solheim		D574,907	S	8/2008	Jones
6,402,638	B1	6/2002	Kelley		D574,908	S	8/2008	Hettinger
D464,099	S	10/2002	Cole		D574,909	S	8/2008	Jones
D467,291	S	12/2002	Ngon		D574,910	S	8/2008	Jones
D472,949	S	4/2003	Serrano		D574,911	S	8/2008	Jones
D474,821	S	5/2003	Wells		D574,912	S	8/2008	Jones
D477,041	S	7/2003	Cameron		D575,366	S	8/2008	Rollinson
6,634,956	B1	10/2003	Pegg		D577,085	S	9/2008	Nicolette
D483,086	S	12/2003	Schweigert		D577,086	S	9/2008	Nicolette
6,663,497	B2	12/2003	Cameron		D577,398	S	9/2008	Hilton
D488,200	S	4/2004	Olsavsky		D579,505	S	10/2008	Jones
D494,237	S	8/2004	Ware		D579,506	S	10/2008	Nicolette
D498,276	S	11/2004	Schweigert		D579,995	S	11/2008	Nicolette
D499,778	S	12/2004	Cameron		7,455,599	B2	11/2008	Jones
D500,109	S	12/2004	Solheim		D582,497	S	12/2008	Rollinson
D500,110	S	12/2004	Solheim		D585,510	S	1/2009	Murrieta
D500,539	S	1/2005	Holloway		7,473,189	B2	1/2009	Schweigert
D502,234	S	2/2005	Grace		7,481,713	B2	1/2009	Beckman
D502,748	S	3/2005	Burrows		D587,325	S	2/2009	Solheim
D505,702	S	5/2005	Wood		D590,035	S	4/2009	Hilton
D506,795	S	6/2005	Petersen		D590,461	S	4/2009	Kim
D506,796	S	6/2005	Li		D591,371	S	4/2009	Hilton
D507,613	S	7/2005	Baiocchi		D591,372	S	4/2009	Tang
D508,273	S	8/2005	Garner		D591,806	S	5/2009	Cameron
D510,394	S	10/2005	Tang		D591,807	S	5/2009	Rollinson
D511,802	S	* 11/2005	Cameron	D21/744	D592,717	S	5/2009	Rollinson
6,960,140	B2	11/2005	Solheim		D594,073	S	6/2009	Kadoya
6,966,845	B2	11/2005	Solheim		D594,517	S	6/2009	Tang
D514,181	S	* 1/2006	Cameron	D21/738	D594,917	S	6/2009	Stellander
D514,182	S	1/2006	Olsavsky		D595,372	S	6/2009	Rollinson
D515,646	S	2/2006	Perry		D595,373	S	6/2009	Kim
					D596,685	S	7/2009	Wallans
					D599,423	S	9/2009	Serrano
					D599,424	S	9/2009	Serrano
					D599,425	S	9/2009	Laub

(56)

References Cited

U.S. PATENT DOCUMENTS

D599,868 S	9/2009	Serrano	D621,891 S	8/2010	Serrano
D599,869 S	9/2009	Serrano	D623,709 S	9/2010	Serrano
D599,870 S	9/2009	Serrano	7,803,066 B2	9/2010	Solheim
D600,760 S	9/2009	Serrano	D624,978 S *	10/2010	Rollinson D21/743
D600,761 S	9/2009	Solheim	D635,625 S	4/2011	Rollinson
D600,762 S	9/2009	Serrano	D644,703 S *	9/2011	Serrano D21/743
D601,214 S	9/2009	Serrano	D650,455 S	12/2011	Serrano et al.
D603,008 S	10/2009	Donahue	D720,022 S *	12/2014	Rollinson D21/736
7,601,076 B2	10/2009	Rollinson	D720,023 S *	12/2014	Rollinson D21/736
D604,782 S *	11/2009	Franklin D21/736	D769,996 S *	10/2016	Abbott D21/744
D606,139 S	12/2009	Ines	2003/0228925 A1	12/2003	Rohrer
7,645,199 B2	1/2010	Cameron	2007/0021229 A1	1/2007	Haack
D621,458 S	8/2010	Serrano	2007/0049402 A1	3/2007	Sanchez
D621,459 S	8/2010	Serrano	2007/0298904 A1	12/2007	Dworzan
D621,460 S	8/2010	Serrano	2009/0029800 A1	1/2009	Jones
D621,461 S	8/2010	Serrano	2009/0105008 A1	4/2009	Kuan
D621,462 S	8/2010	Serrano	2009/0170629 A1	7/2009	Hilton
			2009/0270196 A1	10/2009	Solheim
			2009/0305806 A1	12/2009	Campadore
			2009/0305807 A1	12/2009	Solheim

* cited by examiner

Fig. 1

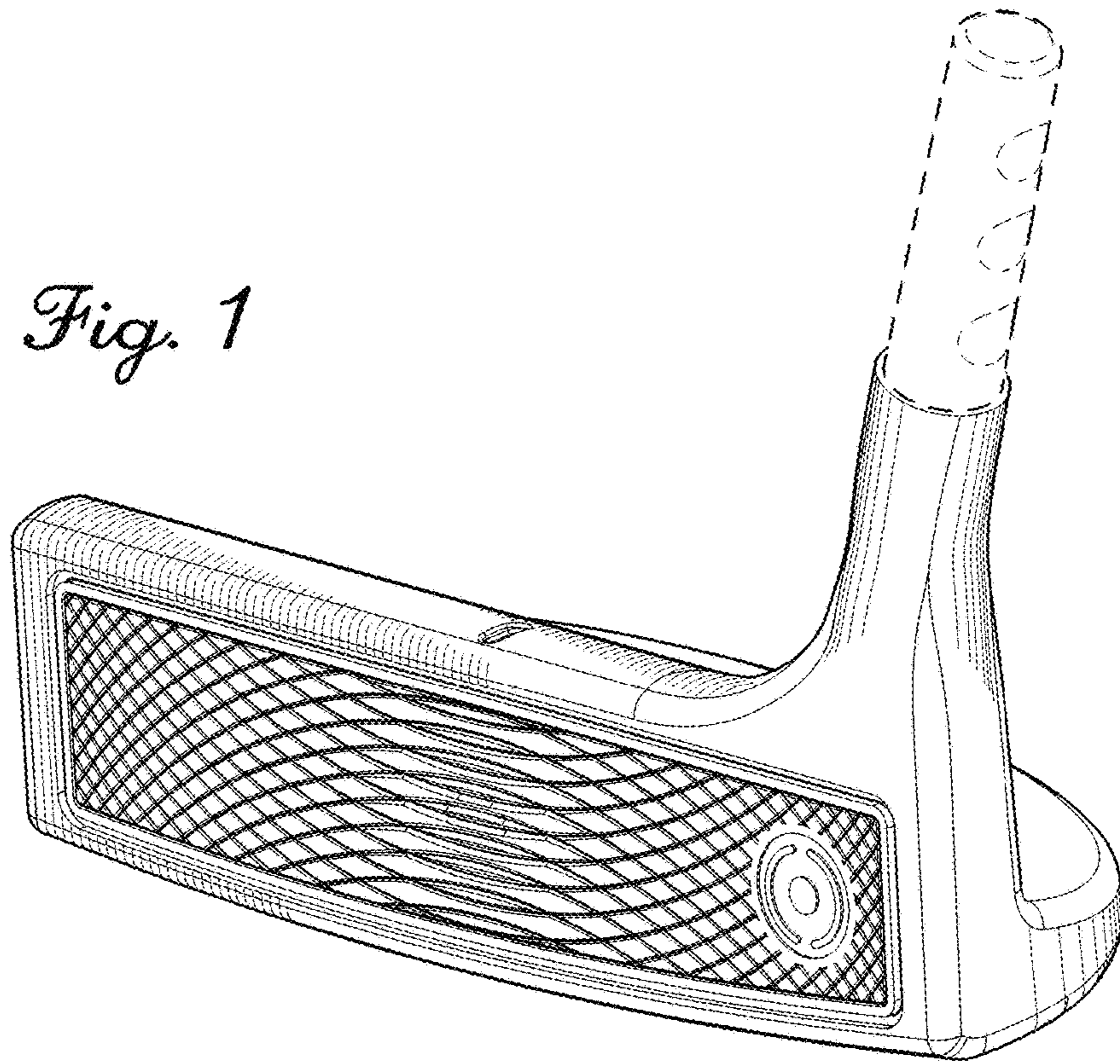
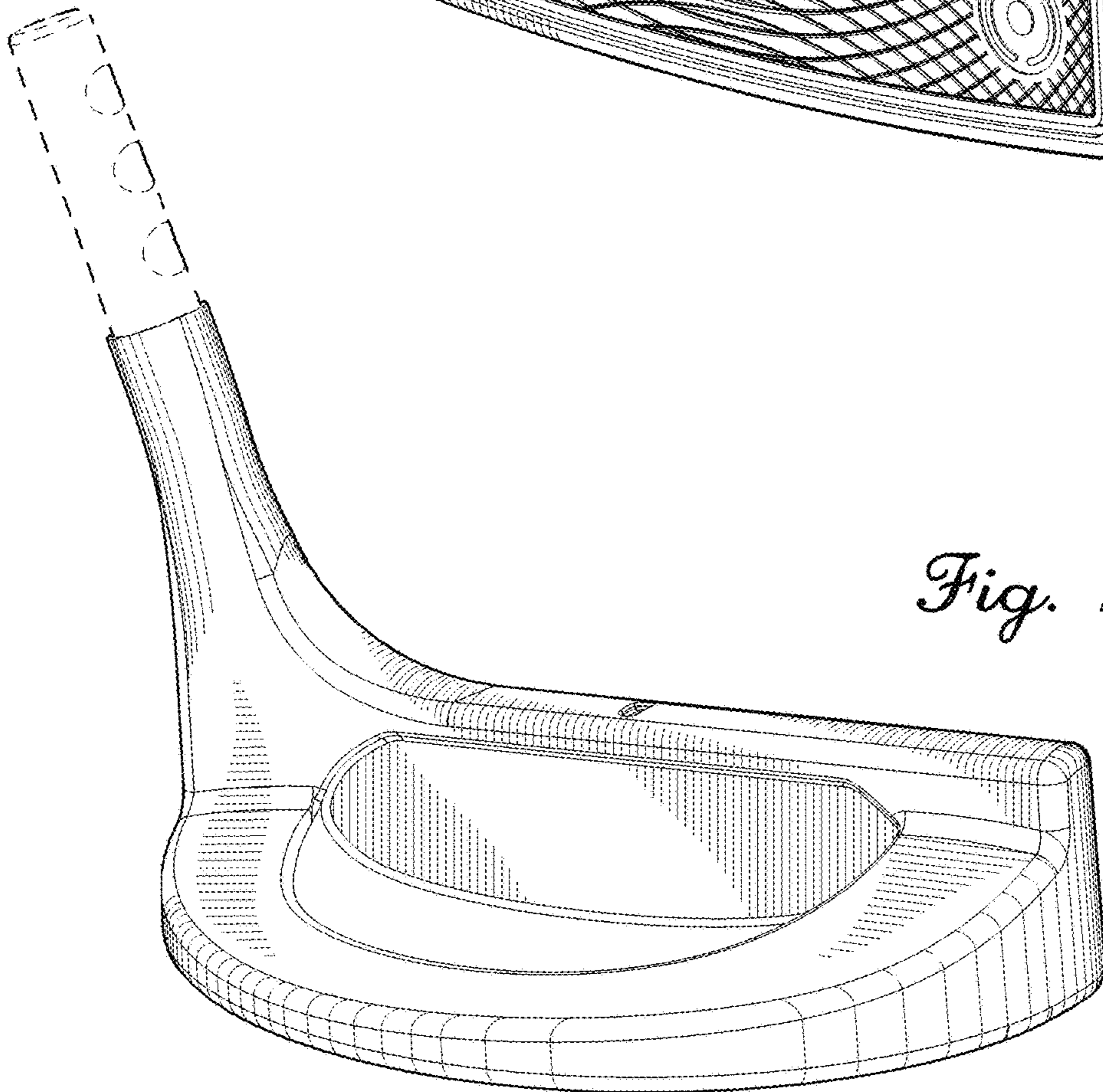
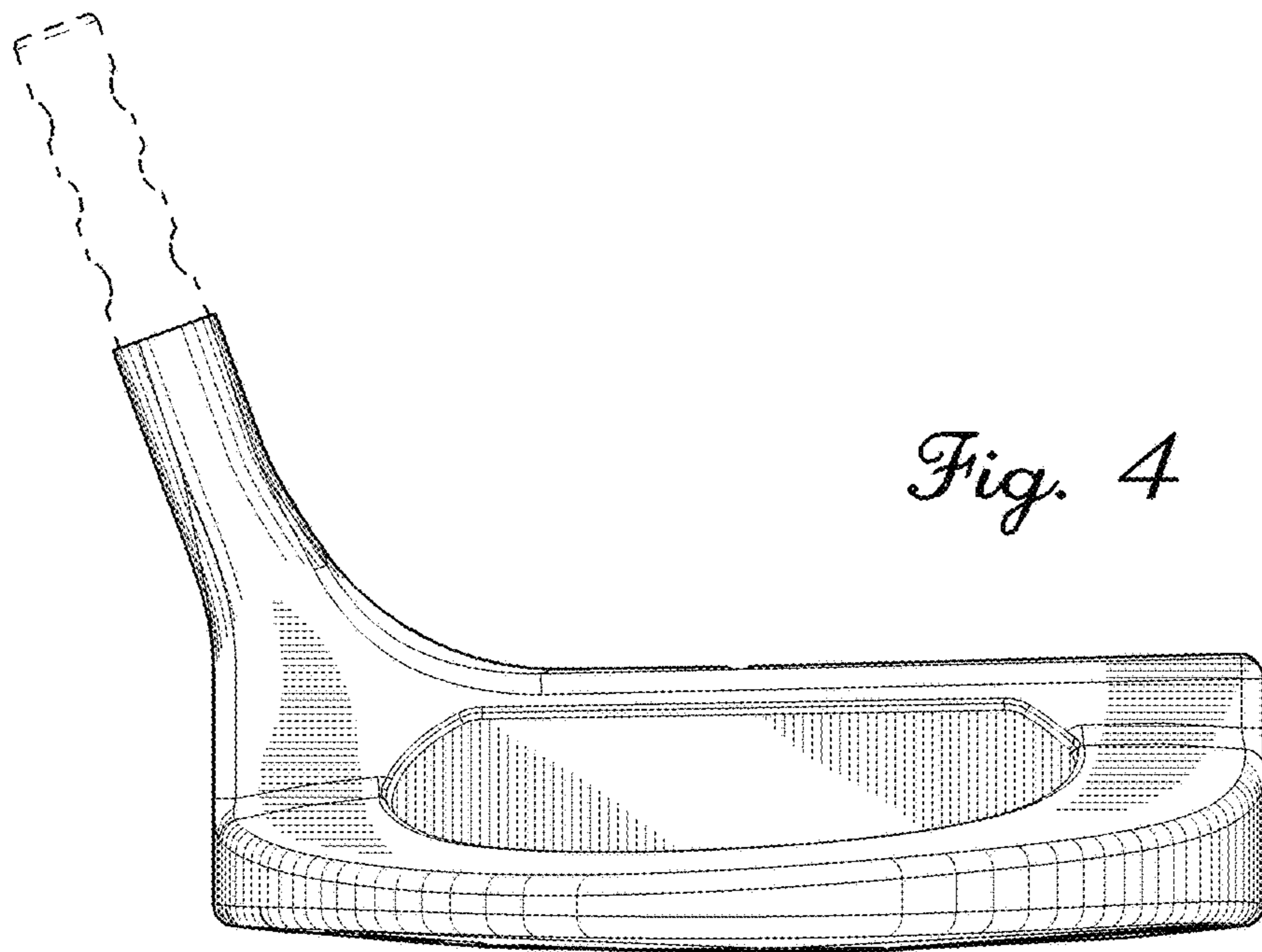
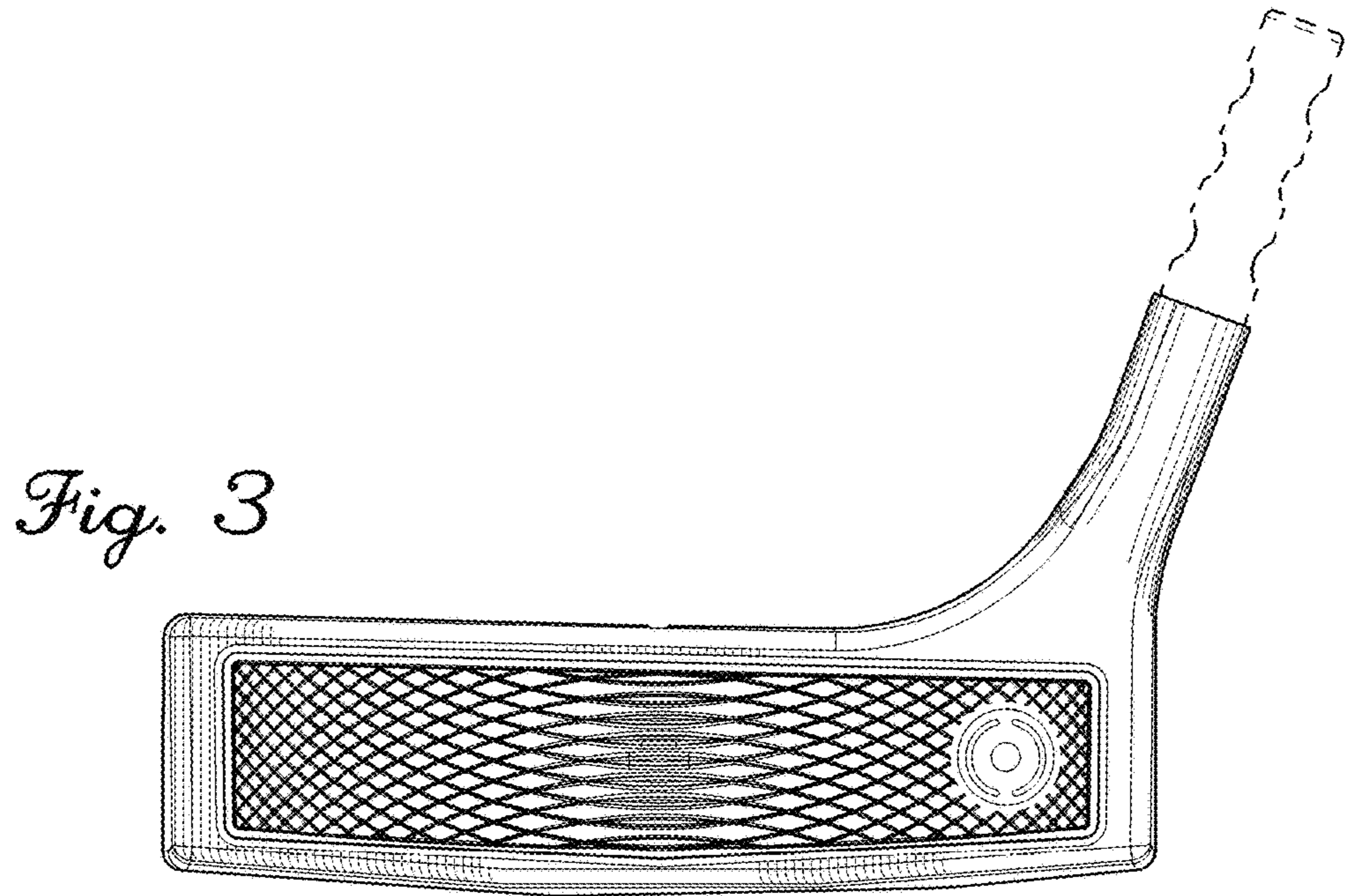


Fig. 2





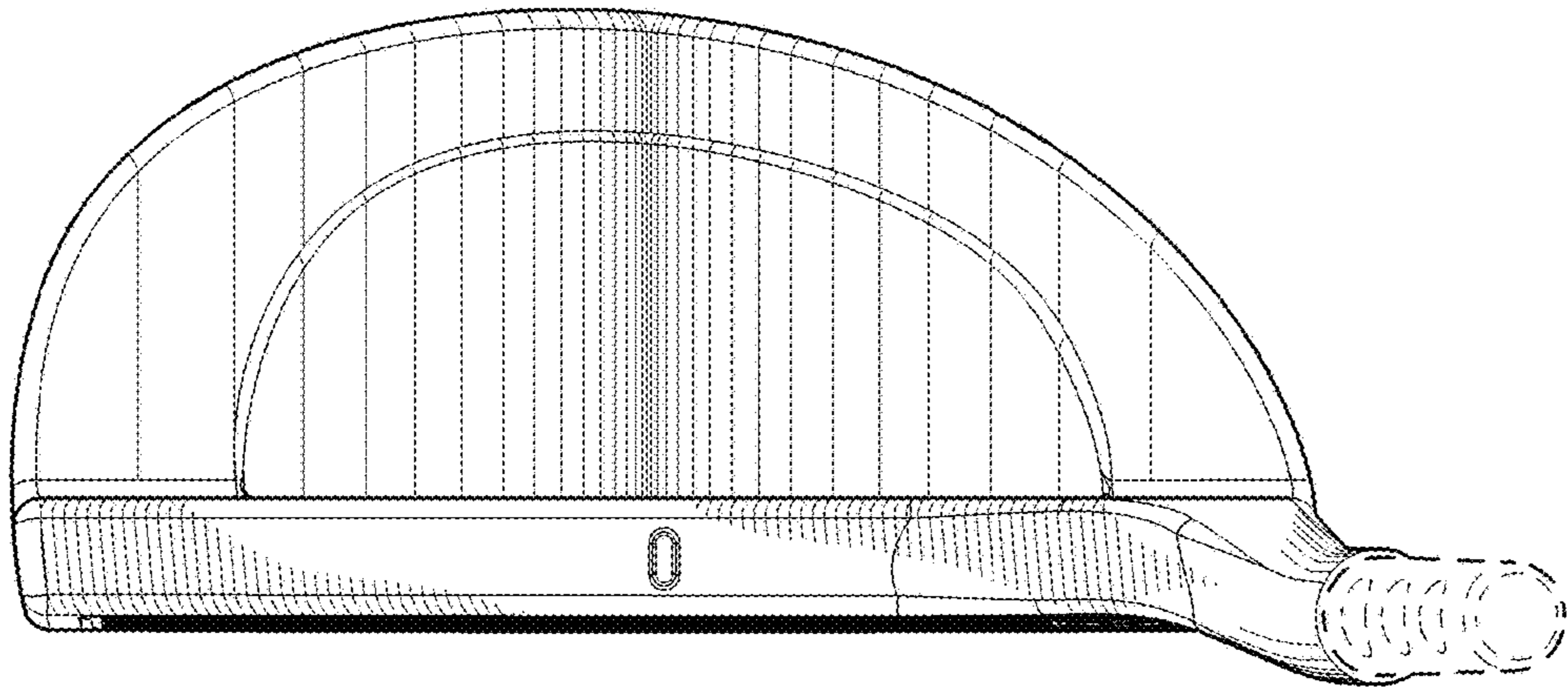


Fig. 5

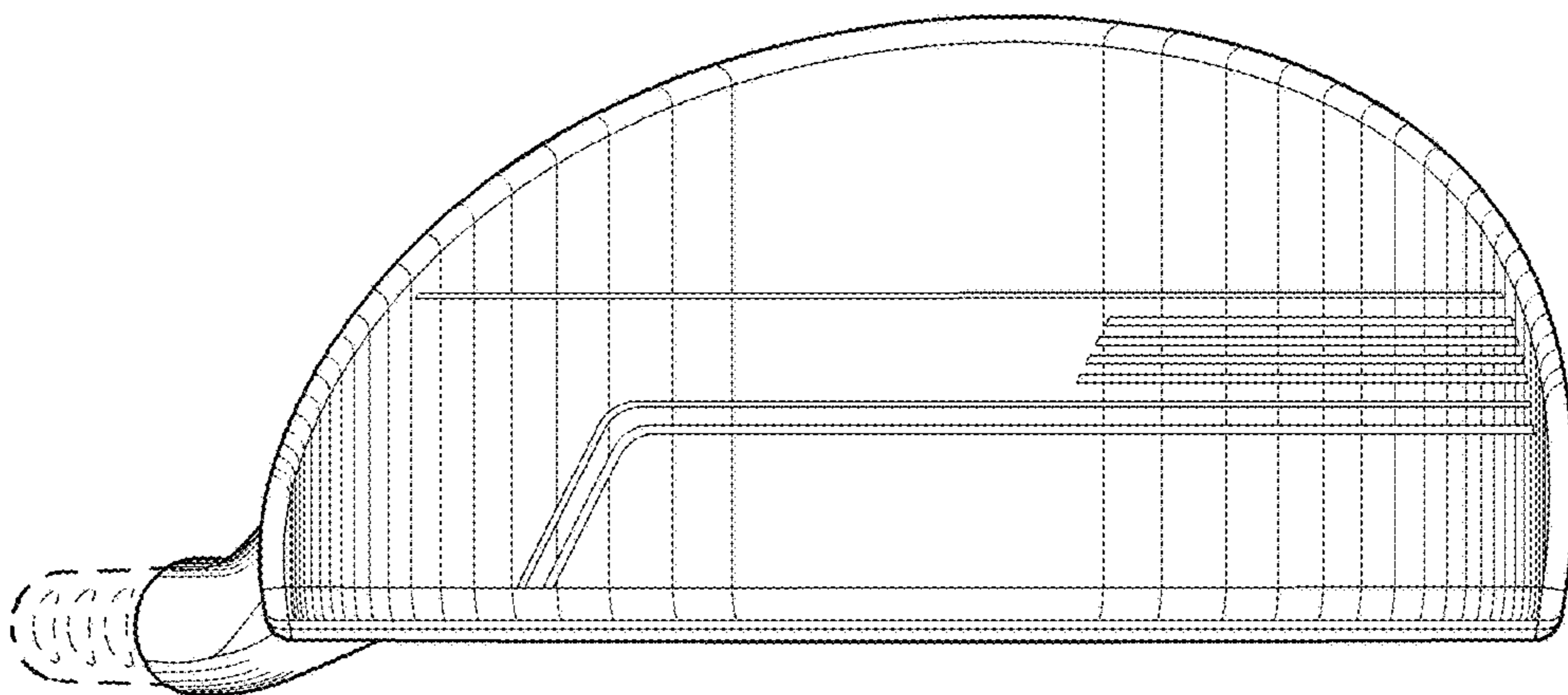


Fig. 6

Fig. 7

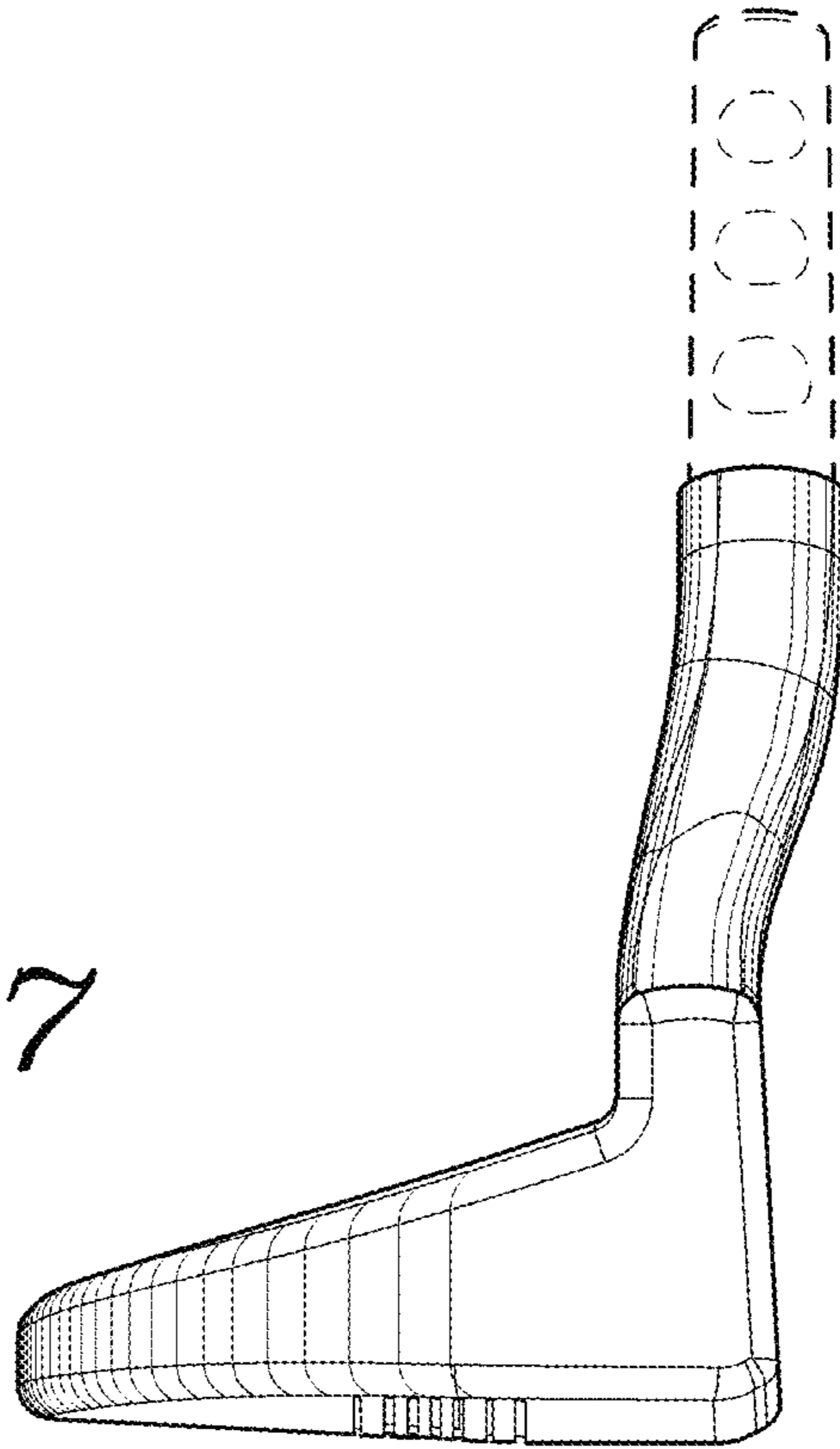


Fig. 8

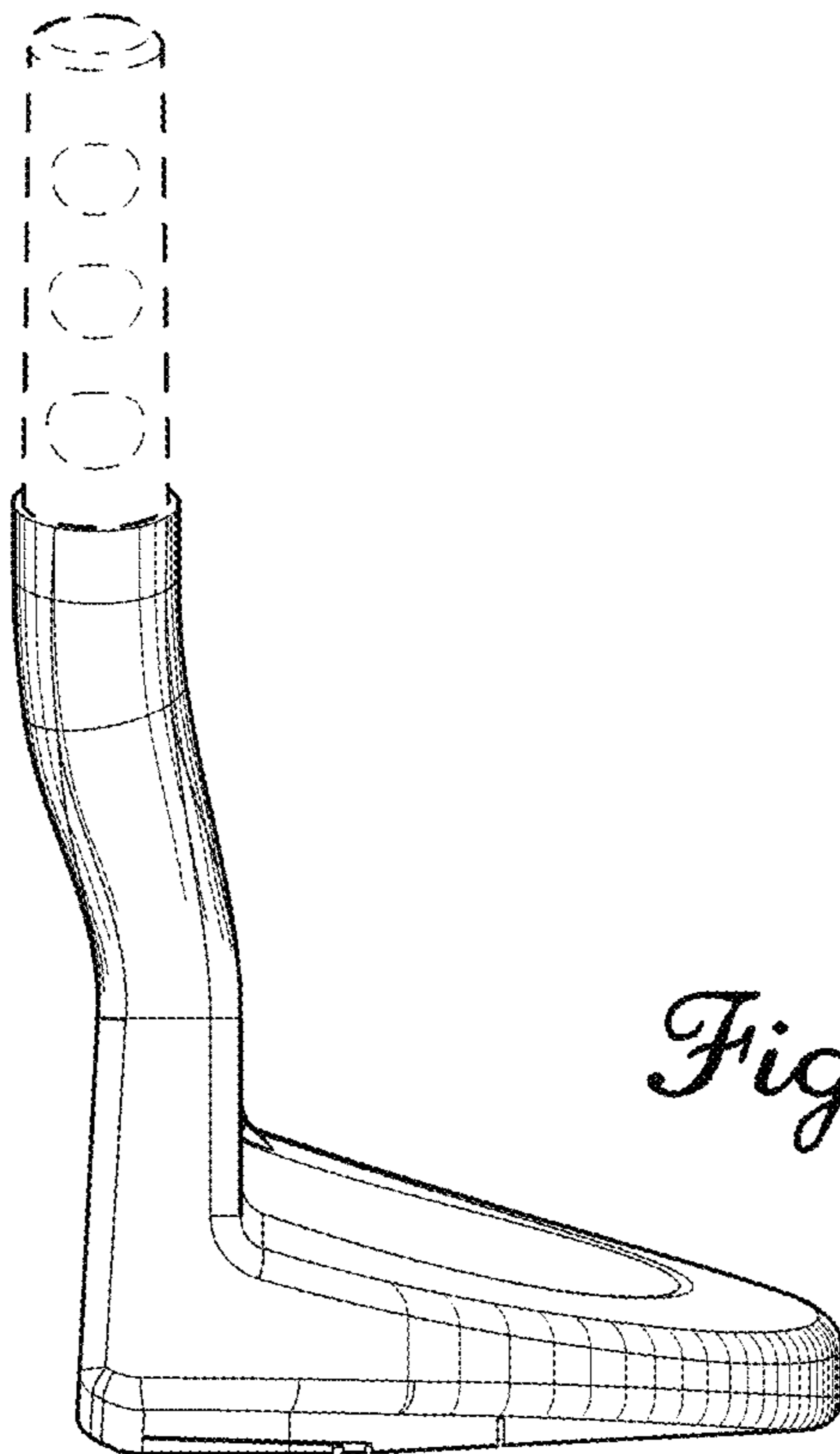


Fig. 9

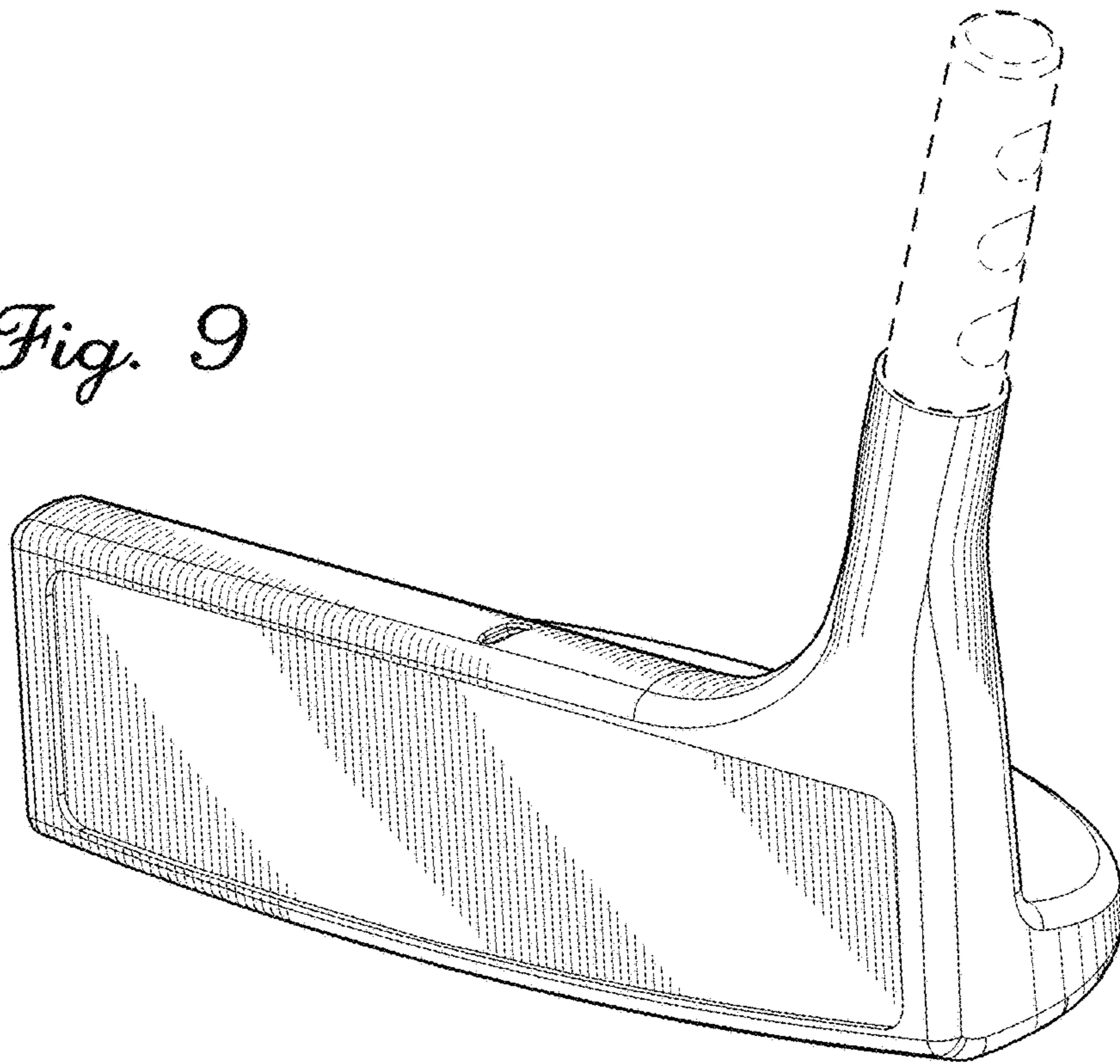


Fig. 10

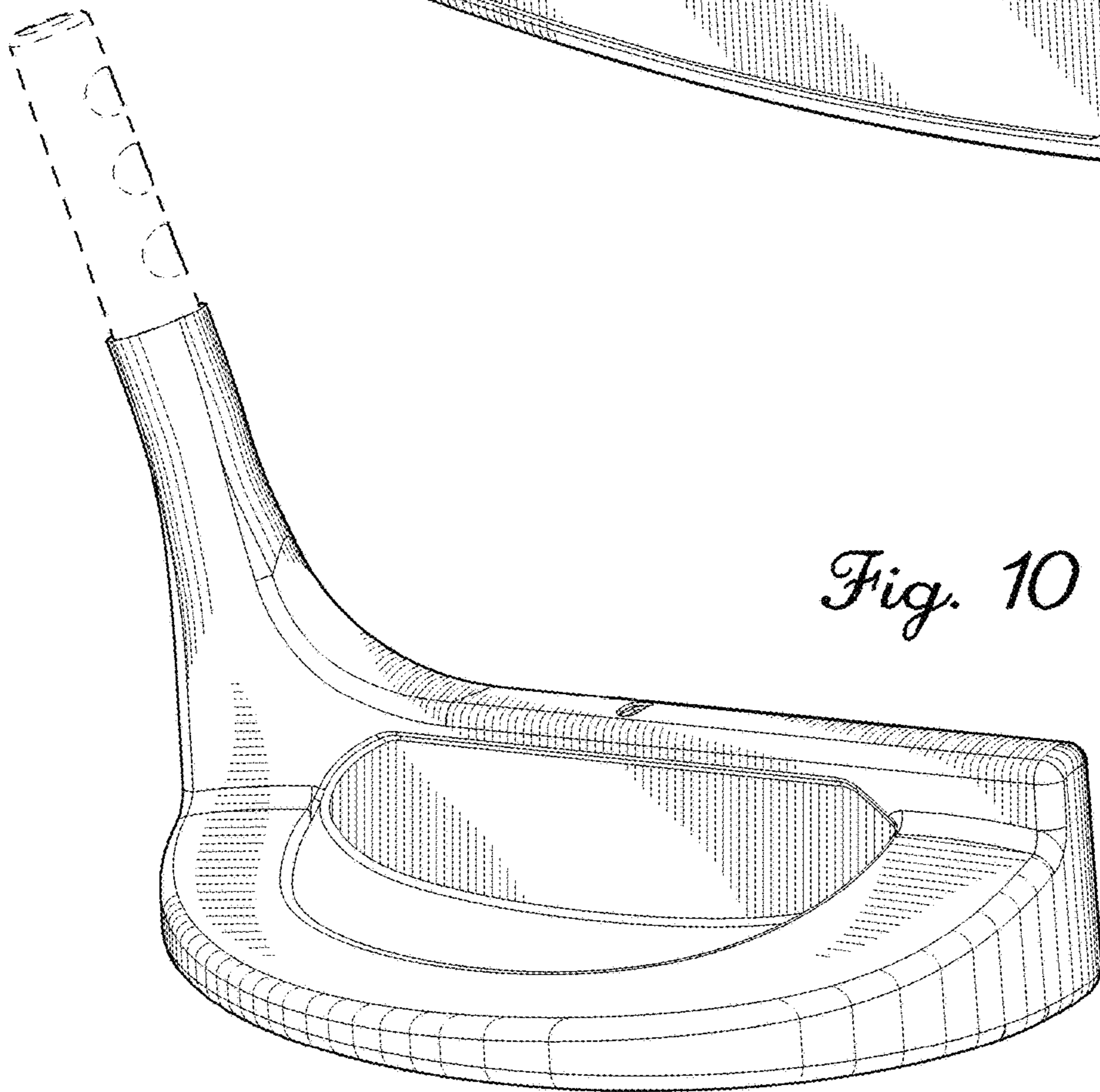


Fig. 11

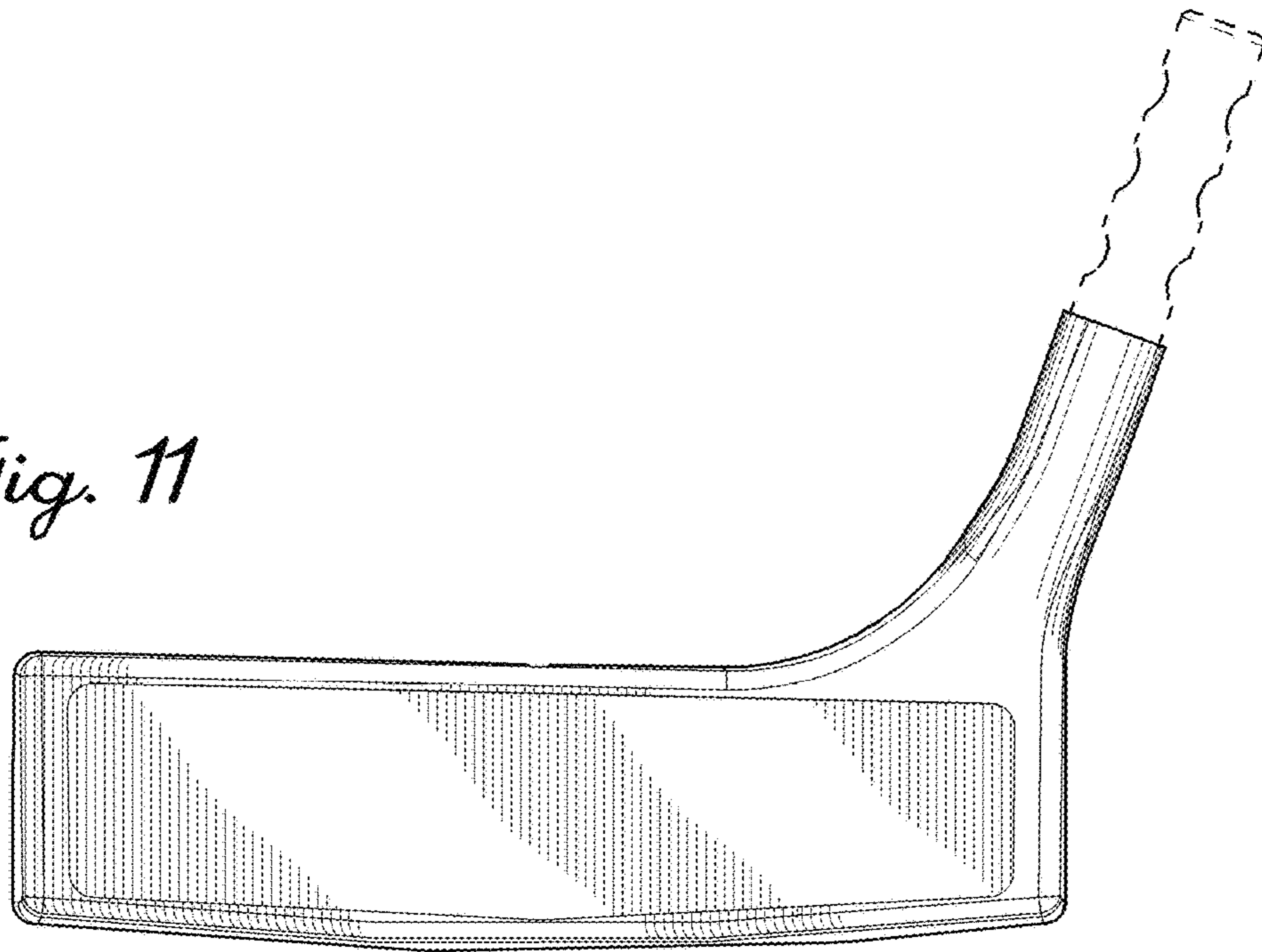
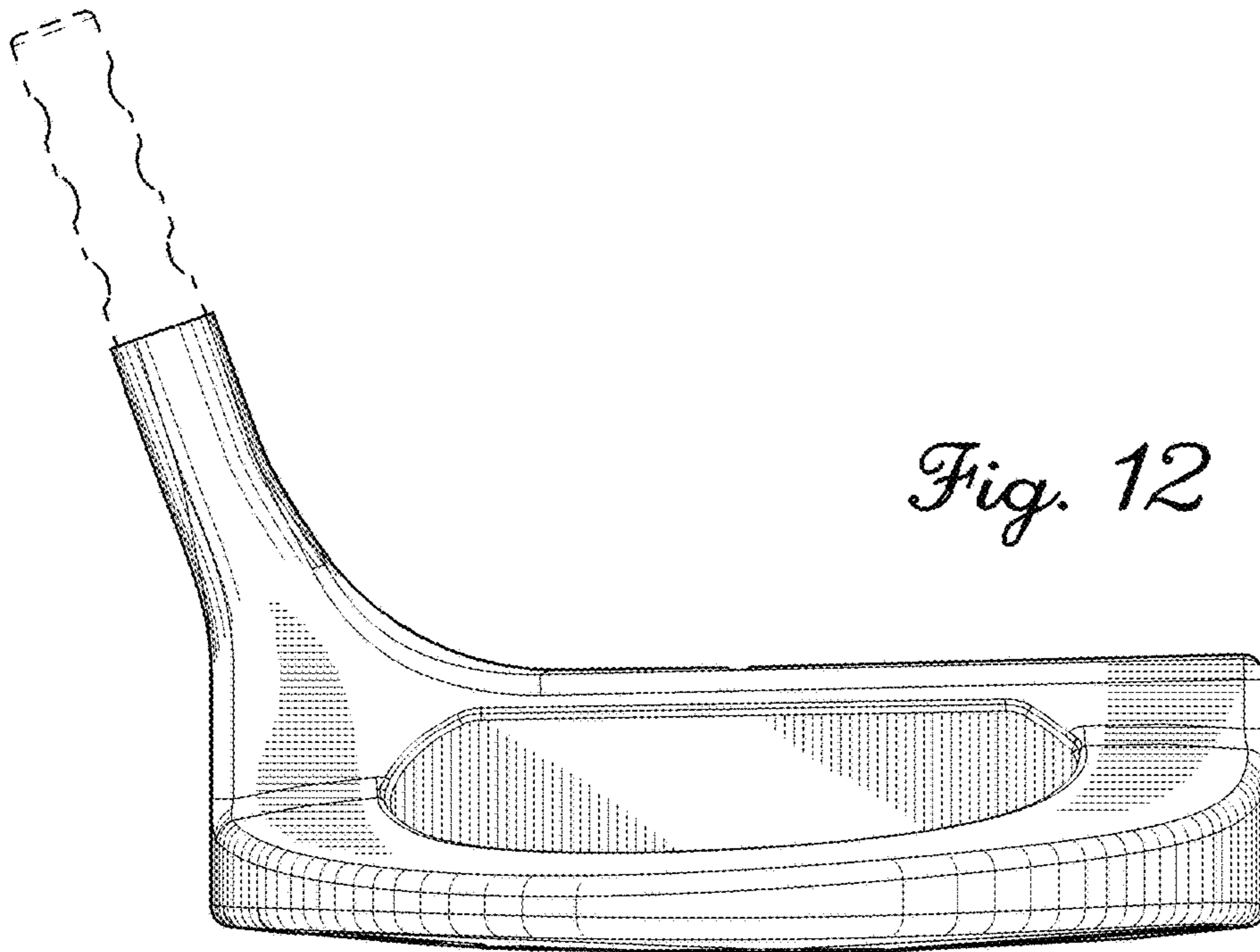


Fig. 12



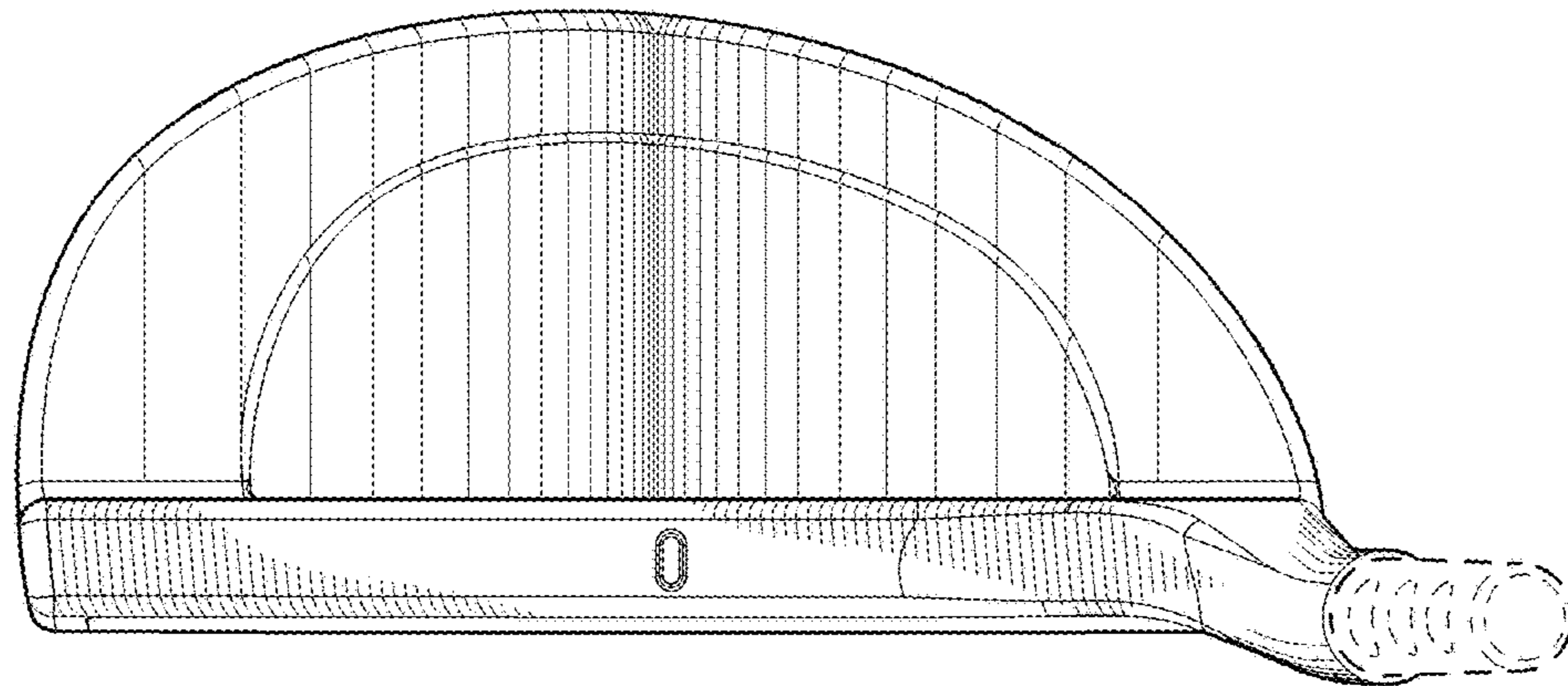


Fig. 13

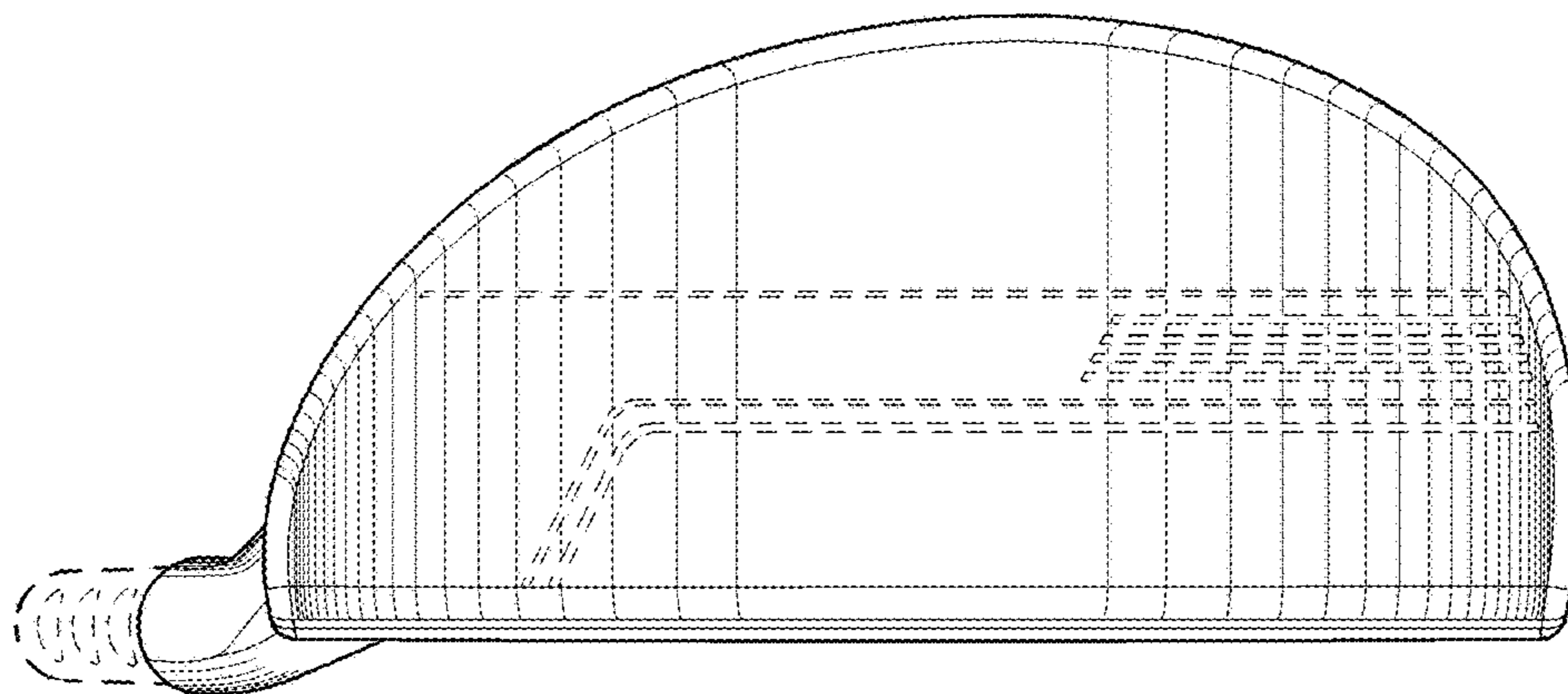


Fig. 14

Fig. 15

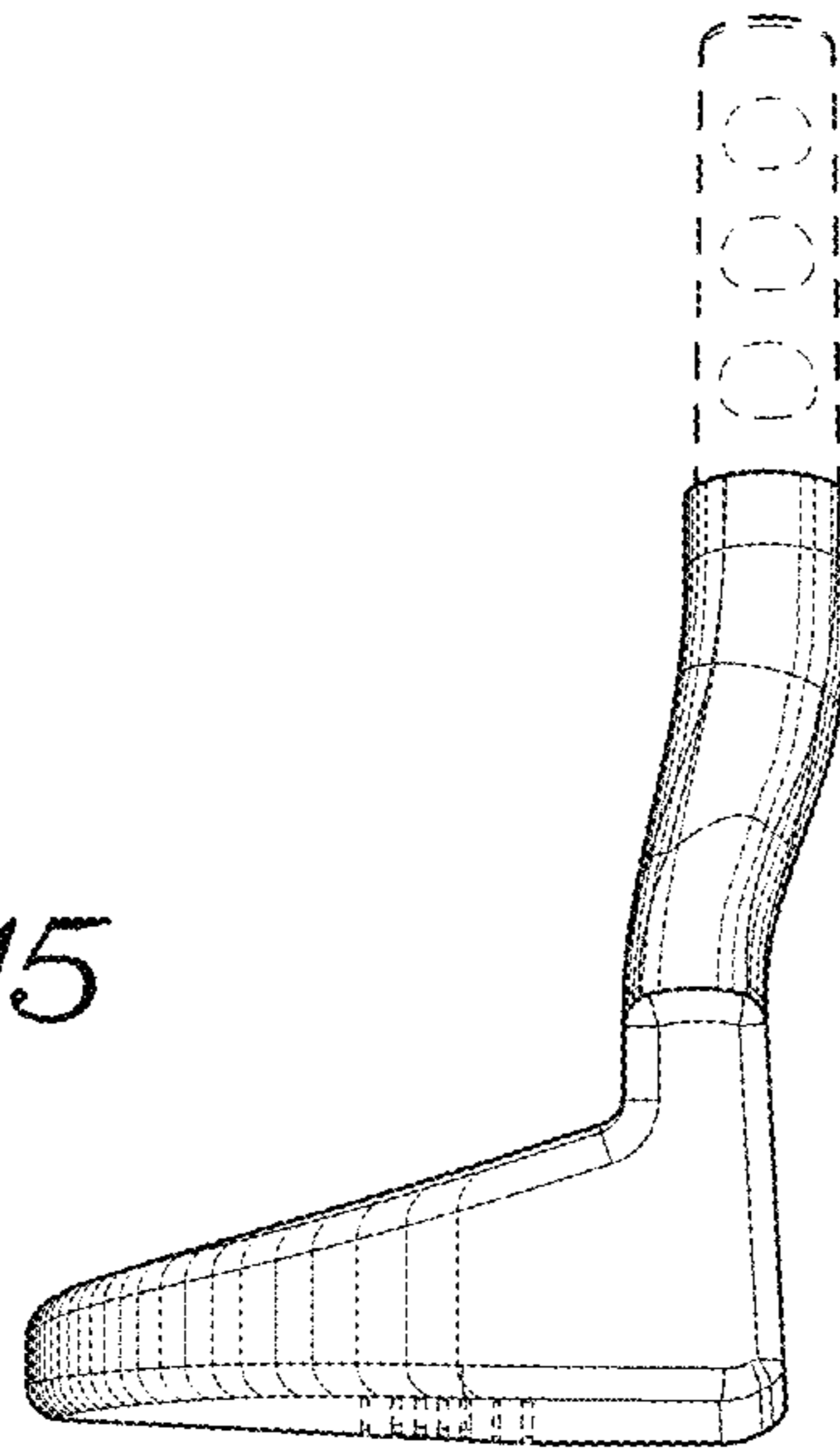


Fig. 16

