



US00D796599S

(12) **United States Design Patent**
Serrano et al.

(10) **Patent No.:** **US D796,599 S**

(45) **Date of Patent:** **** Sep. 5, 2017**

(54) **GOLF CLUB HEAD**

(71) Applicant: **KARSTEN MANUFACTURING CORPORATION**, Phoenix, AZ (US)

(72) Inventors: **Anthony Serrano**, Anthem, AZ (US);
Xiaojian Chen, Phoenix, AZ (US);
Calvin Wang, Chandler, AZ (US);
David Higdon, Phoenix, AZ (US)

(73) Assignee: **Karsten Manufacturing Corporation**, Phoenix, AZ (US)

(**) Term: **15 Years**

(21) Appl. No.: **29/564,647**

(22) Filed: **May 13, 2016**

(51) **LOC (10) Cl.** **21-02**

(52) **U.S. Cl.**
USPC **D21/743**

(58) **Field of Classification Search**
USPC D21/736-746, 759
CPC A63B 53/00; A63B 53/007; A63B 53/065;
A63B 53/0487; A63B 53/04
See application file for complete search history.

(56) **References Cited**

U.S. PATENT DOCUMENTS

D212,890 S *	12/1968	Rose	473/314
3,884,477 A	5/1975	Bianco		
4,030,766 A	6/1977	Derr		
D255,373 S *	6/1980	Solheim	D21/743
D303,276 S *	9/1989	Oakleaf	D21/739
D316,129 S	4/1991	Bryson		
D341,405 S *	11/1993	Solheim	D21/743
5,275,412 A	1/1994	Innes		
5,685,784 A	11/1997	Butler		
D396,081 S *	7/1998	Sheets	D21/742
D402,343 S *	12/1998	Helmstetter	D21/736
D420,079 S	2/2000	Frazetta		
D428,457 S *	7/2000	Rollinson	D21/743

6,159,108 A	12/2000	De La Pena		
6,273,831 B1 *	8/2001	Dewanjee	A63B 53/04 273/DIG. 8
6,379,259 B1	4/2002	Opie		
6,558,268 B2 *	5/2003	Tindale	A63B 53/0487 473/244

D488,526 S	4/2004	Souza		
D500,109 S	12/2004	Solheim		

(Continued)

Primary Examiner — Mitchell Siegel

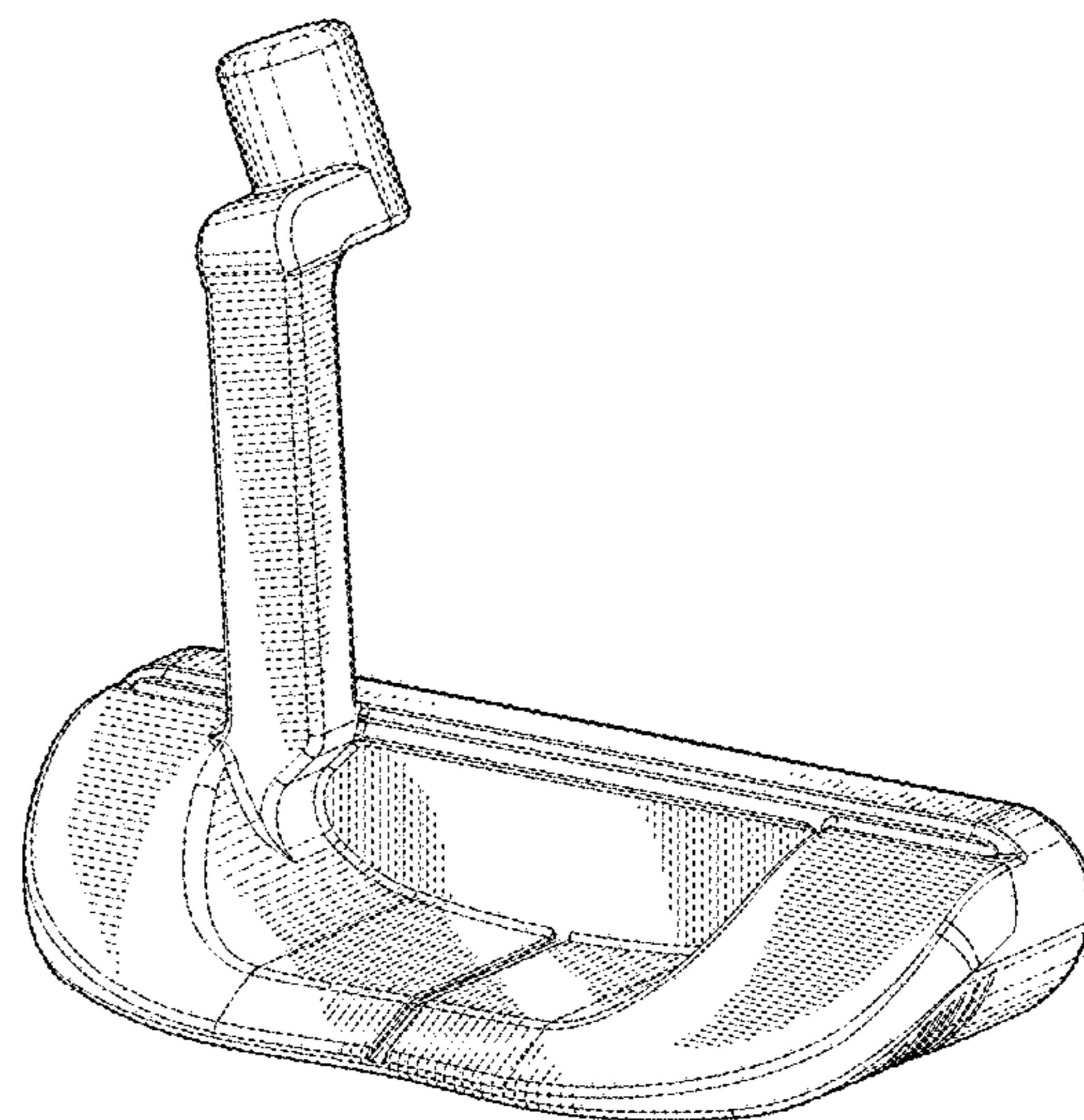
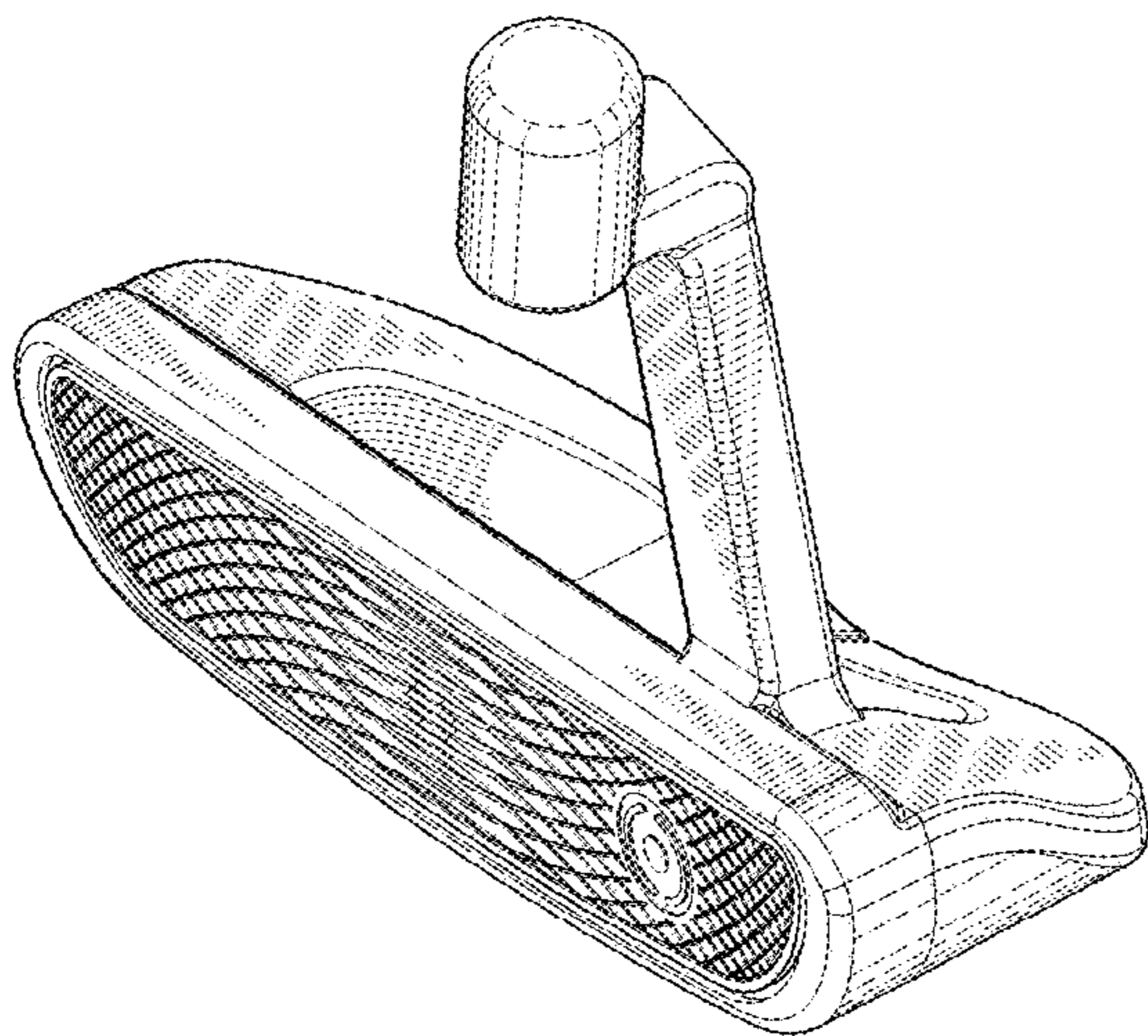
(57) **CLAIM**

The ornamental design for a golf club, as shown and described.

DESCRIPTION

FIG. 1 is a front perspective view of a golf club head; FIG. 2 is a rear perspective view of the golf club head of FIG. 1; FIG. 3 is a front view of the golf club head of FIG. 1; FIG. 4 is a rear view of the golf club head of FIG. 1; FIG. 5 is a top view of the golf club head of FIG. 1; FIG. 6 is a bottom view of the golf club head of FIG. 1; FIG. 7 is a toe view of the golf club head of FIG. 1; FIG. 8 is a heel view of the golf club head of FIG. 1; FIG. 9 is a front perspective view of a second embodiment of the golf club head; FIG. 10 is a rear perspective view of the golf club head of FIG. 9; FIG. 11 is a front view of the golf club head of FIG. 9; FIG. 12 is a rear view of the golf club head of FIG. 9; FIG. 13 is a top view of the golf club head of FIG. 9; FIG. 14 is a bottom view of the golf club head of FIG. 9; FIG. 15 is a toe view of the golf club head of FIG. 9; and, FIG. 16 is a heel view of the golf club head of FIG. 9. The broken lines shown in one or more of the figures are for illustrative purposes only and form no part of the claimed design.

1 Claim, 8 Drawing Sheets



(56)

References Cited

U.S. PATENT DOCUMENTS

D500,110 S 12/2004 Solheim
 6,837,801 B1 1/2005 Souza
 6,878,071 B1 4/2005 Schwieger
 6,893,355 B2 5/2005 Souza
 6,902,496 B2 6/2005 Solheim
 D507,612 S 7/2005 Souza
 6,926,615 B1 8/2005 Souza
 6,960,140 B2 11/2005 Solheim
 6,966,845 B2 11/2005 Solheim
 D520,584 S 5/2006 Karlsen
 D521,582 S 5/2006 Souza
 7,052,411 B2 5/2006 Solheim
 D522,598 S 6/2006 Solheim
 7,077,758 B2 7/2006 Rohrer
 7,086,957 B2 8/2006 Solheim
 D527,777 S 9/2006 Solheim
 D529,108 S 9/2006 Stites
 D532,847 S 11/2006 Rollinson
 D533,243 S 12/2006 Fife
 7,235,021 B2 6/2007 Solheim
 D548,295 S 8/2007 Jertson
 7,255,650 B2 8/2007 Braynt
 D552,197 S 10/2007 Wells
 D565,137 S 3/2008 Oldknow
 D569,462 S 5/2008 Rollinson
 7,371,185 B1 5/2008 Rohrer
 D581,473 S 11/2008 Thomas
 D583,003 S 12/2008 Solheim
 D587,325 S 2/2009 Solheim
 D595,372 S 6/2009 Rollinson
 D600,760 S 9/2009 Serrano
 D600,761 S 9/2009 Solheim
 D600,762 S 9/2009 Serrano
 7,601,076 B2 10/2009 Rollinson
 D604,782 S * 11/2009 Franklin D21/736

D607,950 S 1/2010 Souza
 D621,458 S 8/2010 Serrano
 D621,460 S 8/2010 Serrano
 D621,461 S 8/2010 Serrano
 D621,462 S 8/2010 Serrano
 D621,891 S 8/2010 Serrano
 7,803,066 B2 9/2010 Solheim
 D624,978 S * 10/2010 Rollinson D21/743
 7,815,515 B1 10/2010 Hunt
 D635,625 S * 4/2011 Rollinson D21/743
 D638,891 S 5/2011 Nicolette
 D640,341 S 6/2011 Foster et al.
 D641,441 S * 7/2011 Hilton et al. D21/743
 D643,080 S 8/2011 Serrano
 D643,485 S 8/2011 Nicolette
 D643,486 S 8/2011 Serrano
 D643,487 S 8/2011 Serrano
 D644,703 S * 9/2011 Serrano D21/743
 8,100,779 B2 1/2012 Solheim
 D653,718 S 2/2012 Stokke
 8,109,838 B2 2/2012 Solheim
 8,128,505 B2 3/2012 Tryner et al.
 D664,617 S 7/2012 Serrano
 D720,022 S * 12/2014 Rollinson D21/736
 D720,023 S * 12/2014 Rollinson D21/736
 D759,172 S * 6/2016 Rollinson D21/743
 D759,173 S * 6/2016 Rollinson D21/743
 D769,996 S * 10/2016 Abbott D21/744
 2005/0170904 A1 8/2005 Smeeth
 2006/0094533 A1 5/2006 Warren
 2006/0166755 A1 7/2006 Brown
 2007/0191135 A1 8/2007 Nilsson
 2008/0096686 A1 4/2008 Bilkhu
 2009/0270198 A1 10/2009 Solheim et al.
 2009/0305806 A1 12/2009 Campadore et al.
 2009/0305807 A1 12/2009 Solheim et al.
 2010/0227704 A1 9/2010 Souza
 2012/0115628 A1 5/2012 Woods

* cited by examiner

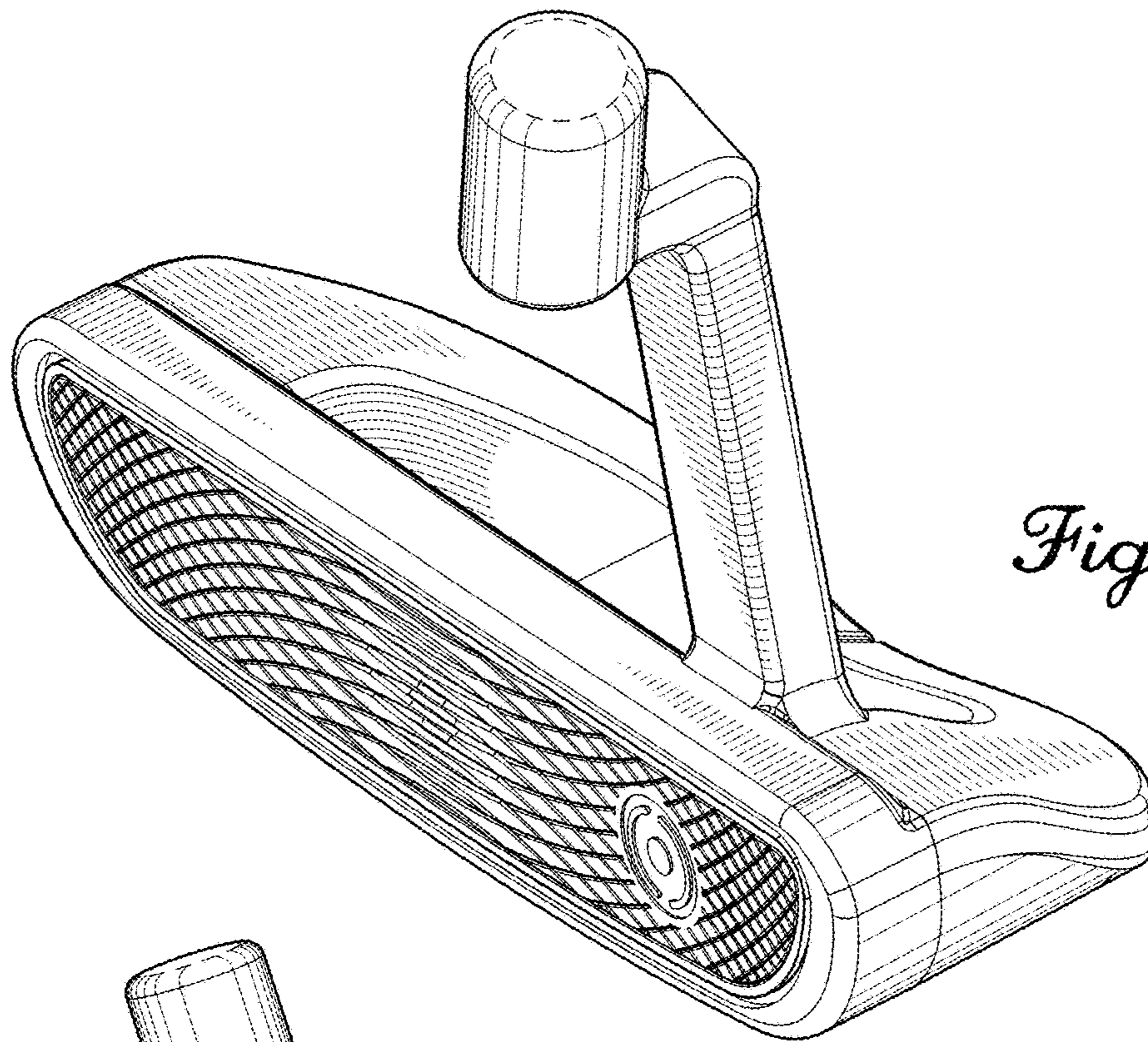


Fig. 1

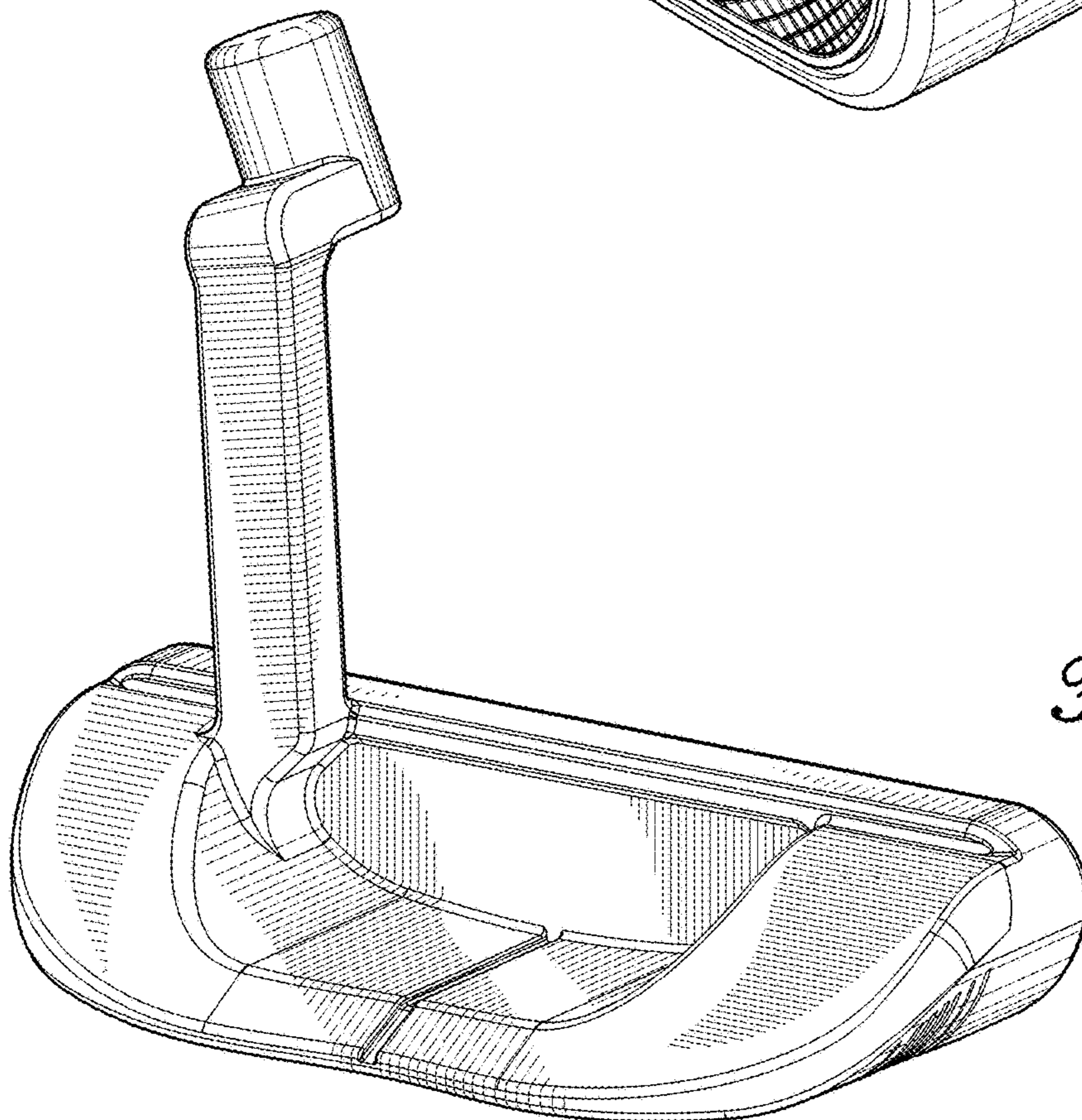


Fig. 2

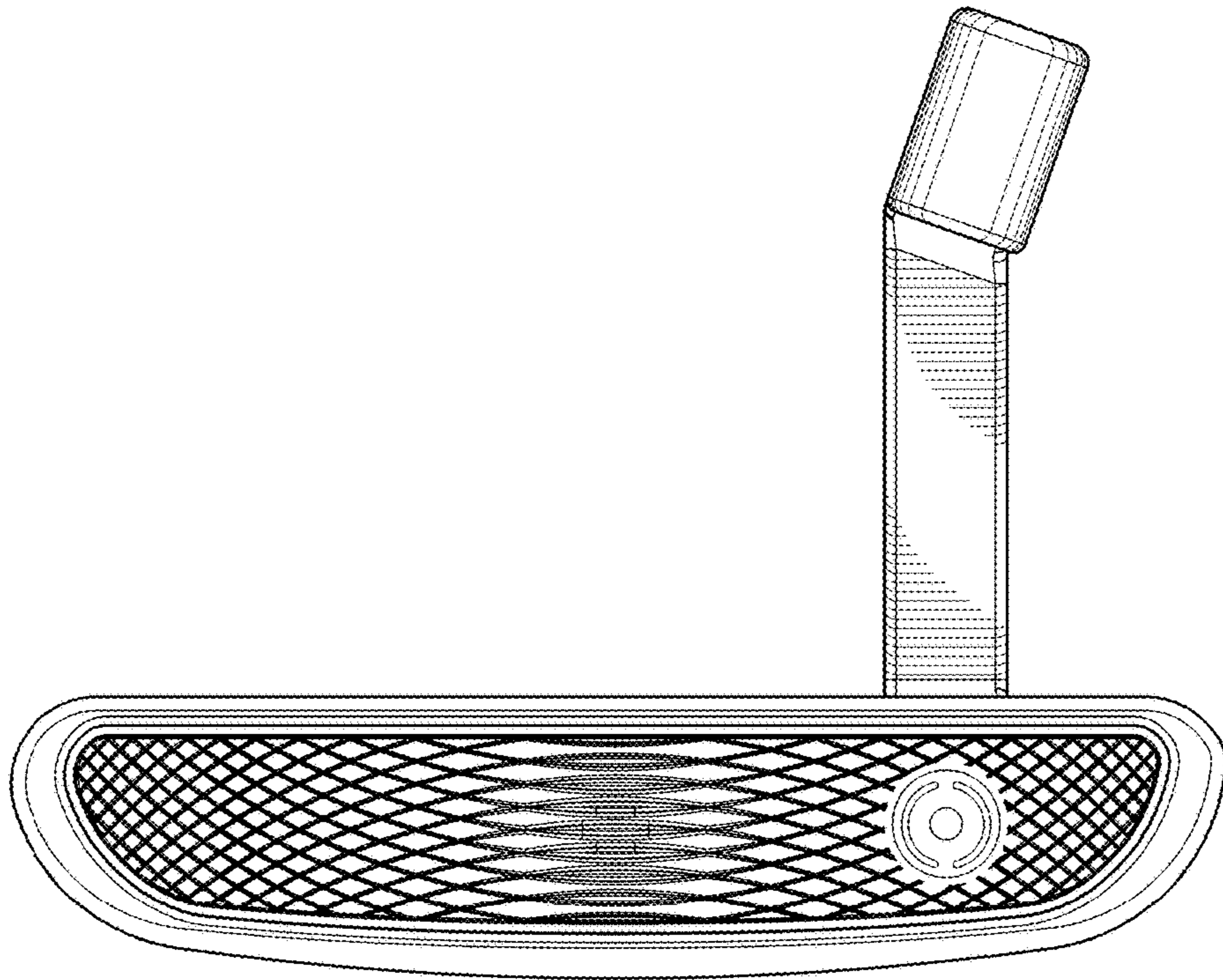


Fig. 3

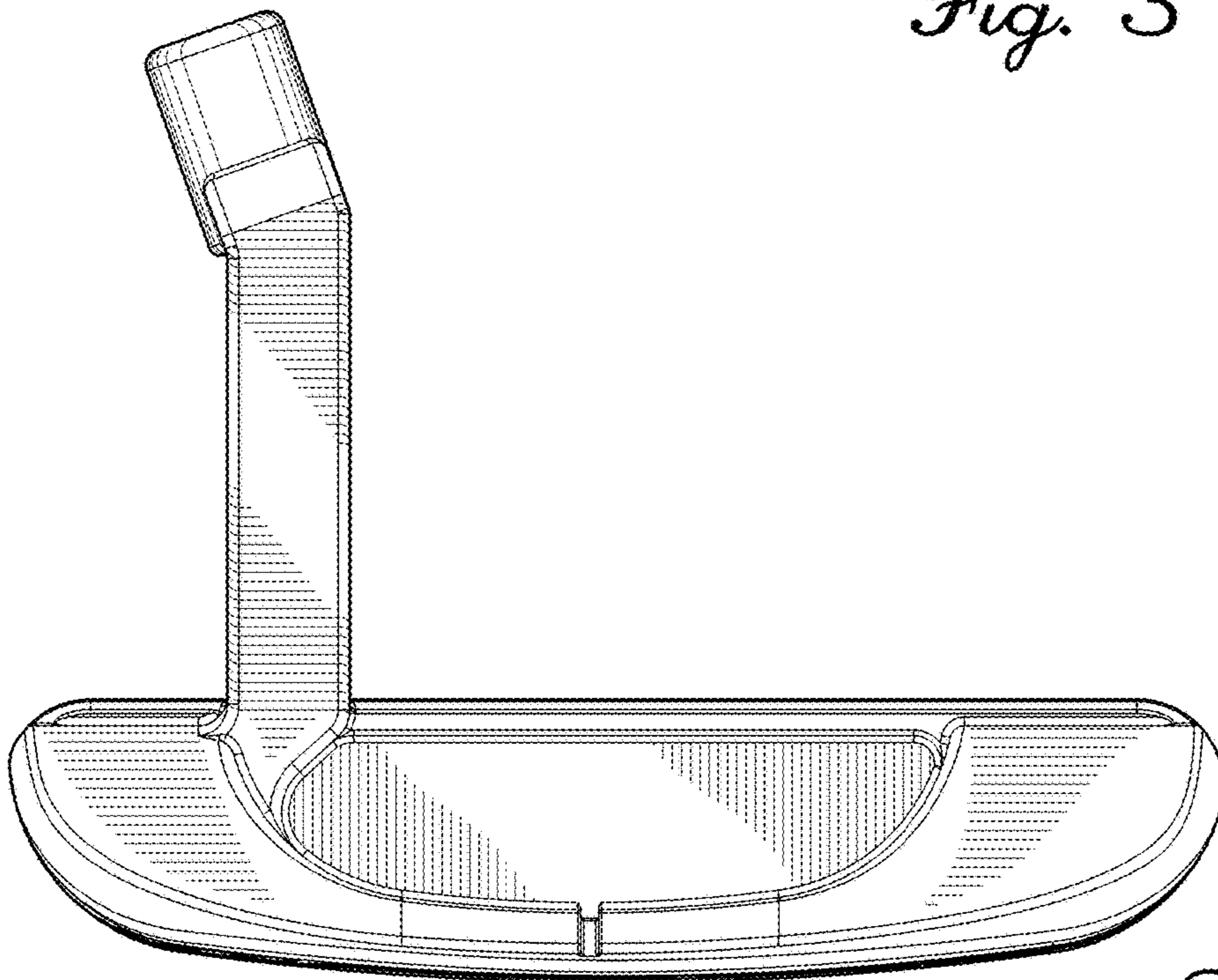


Fig. 4

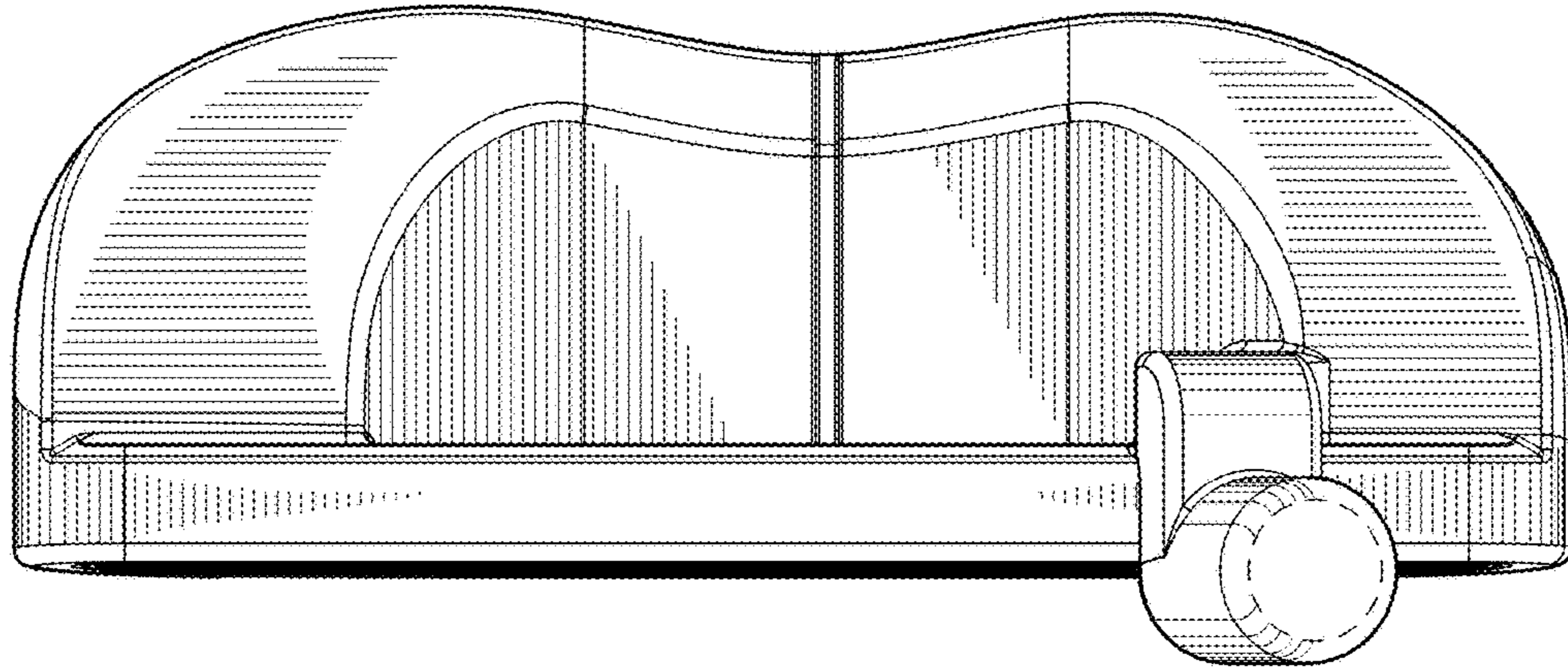


Fig. 5

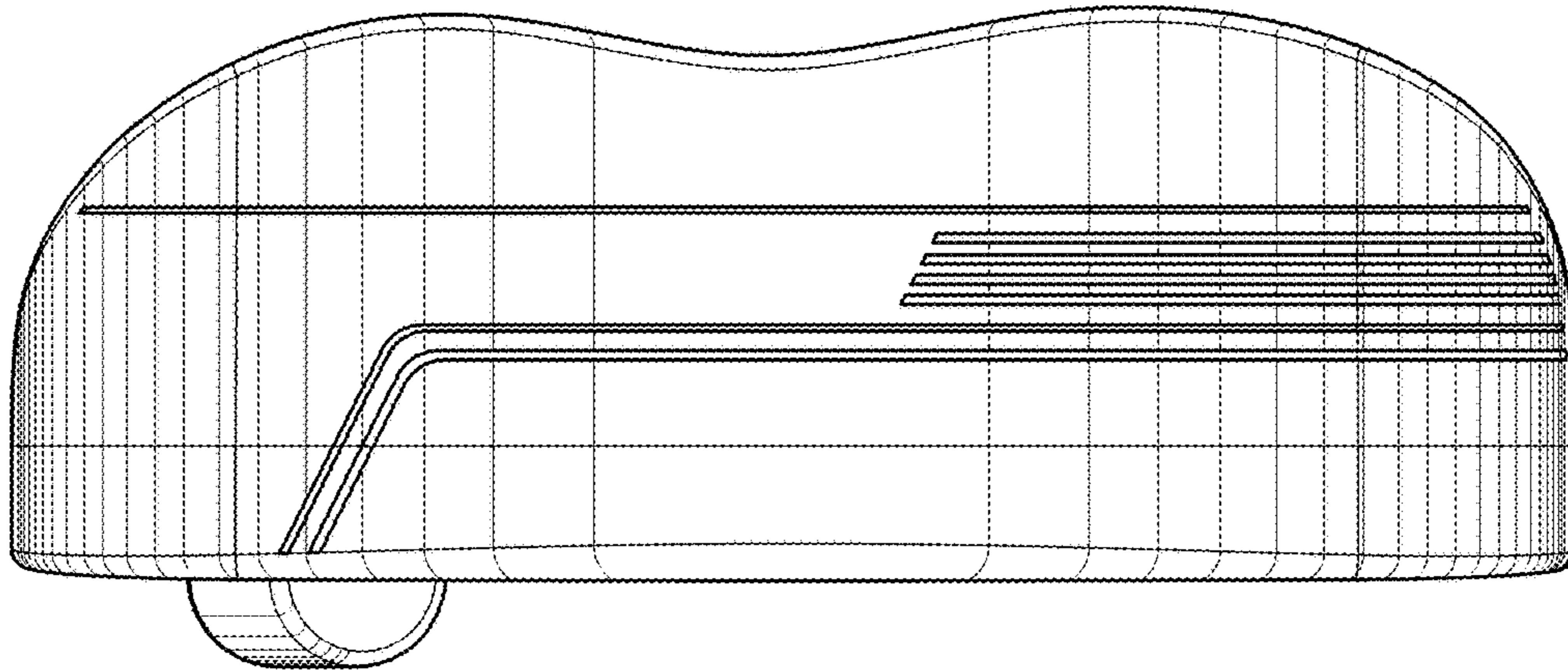


Fig. 6

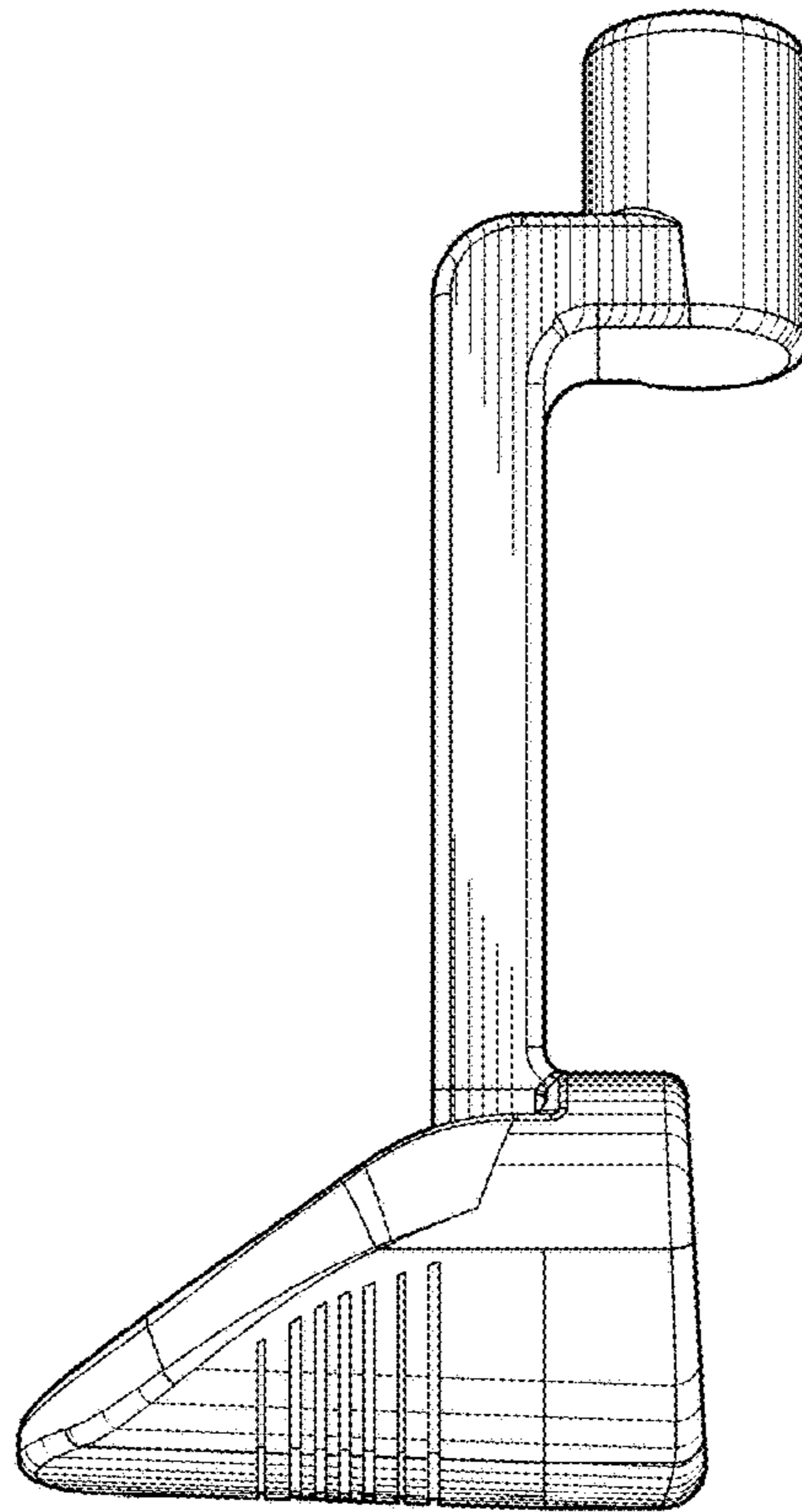


Fig. 7

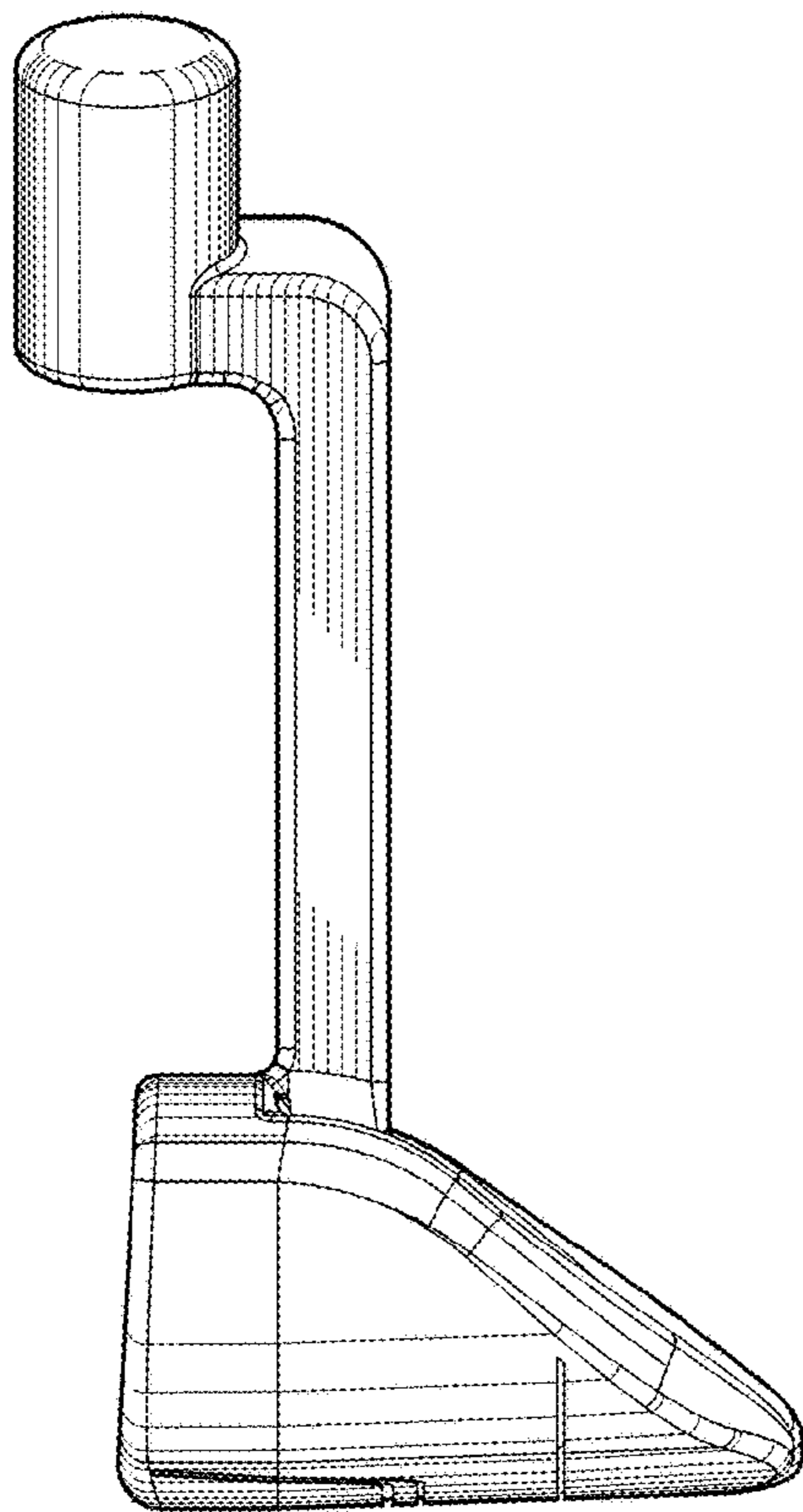


Fig. 8

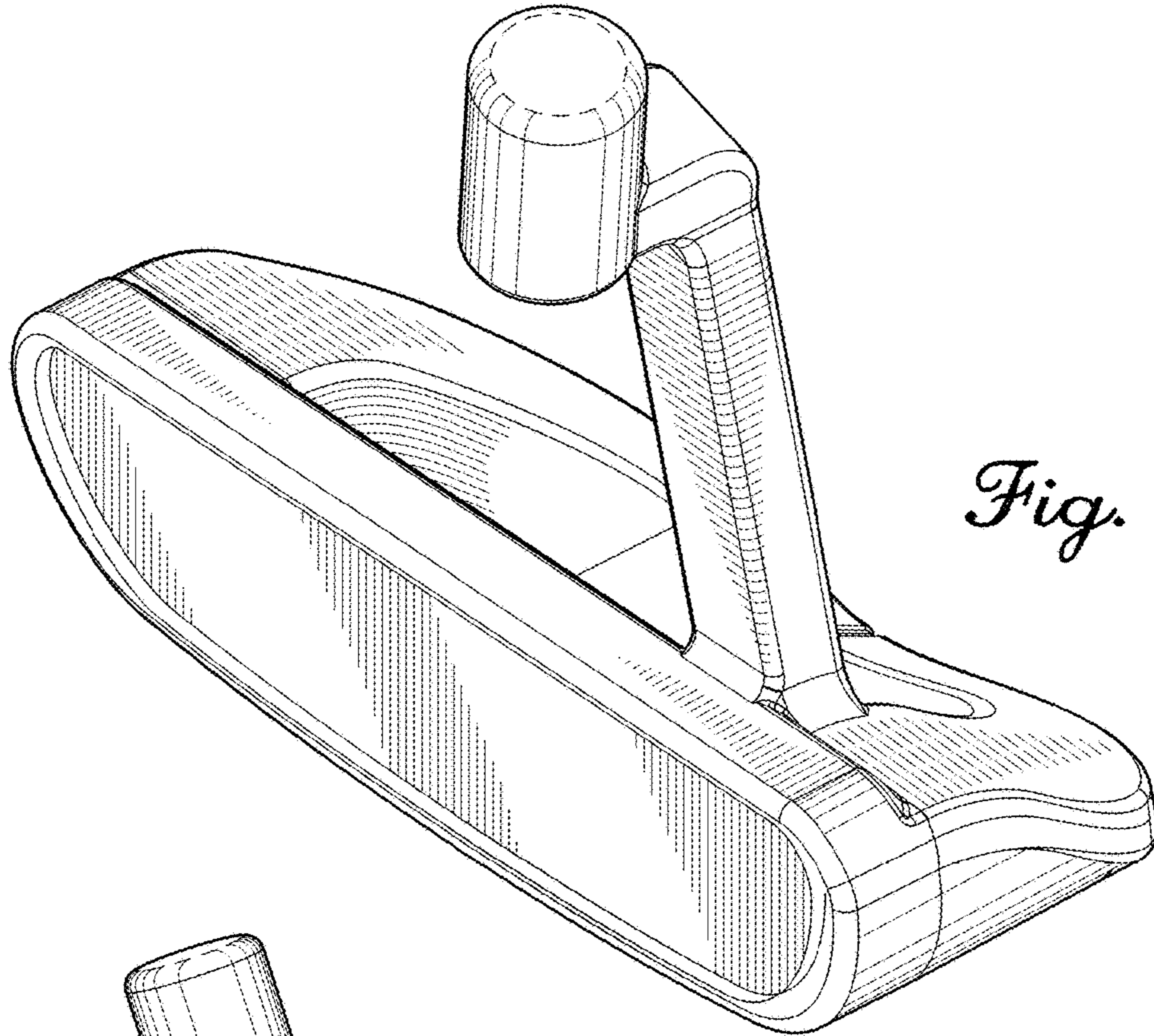


Fig. 9

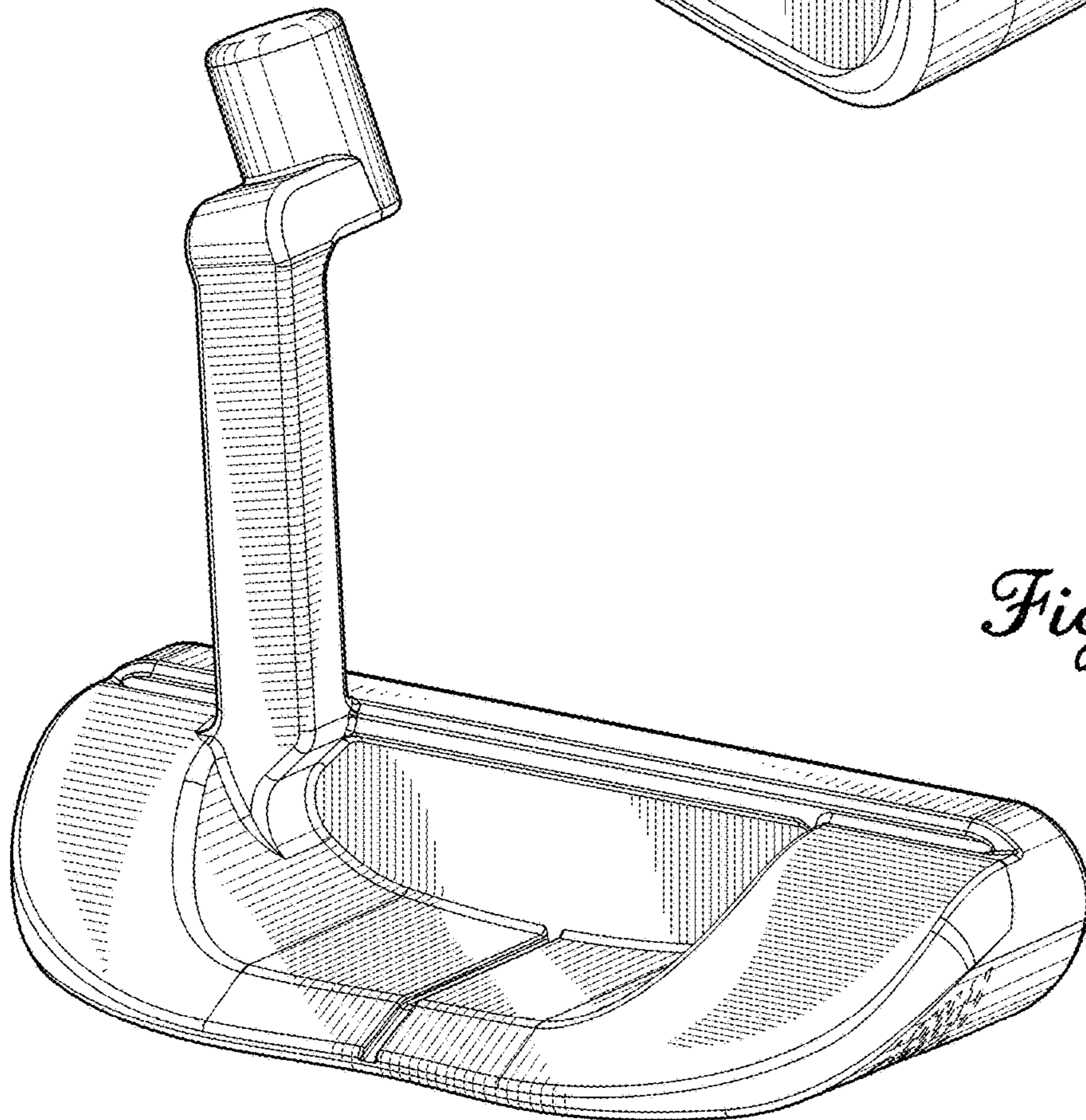


Fig. 10

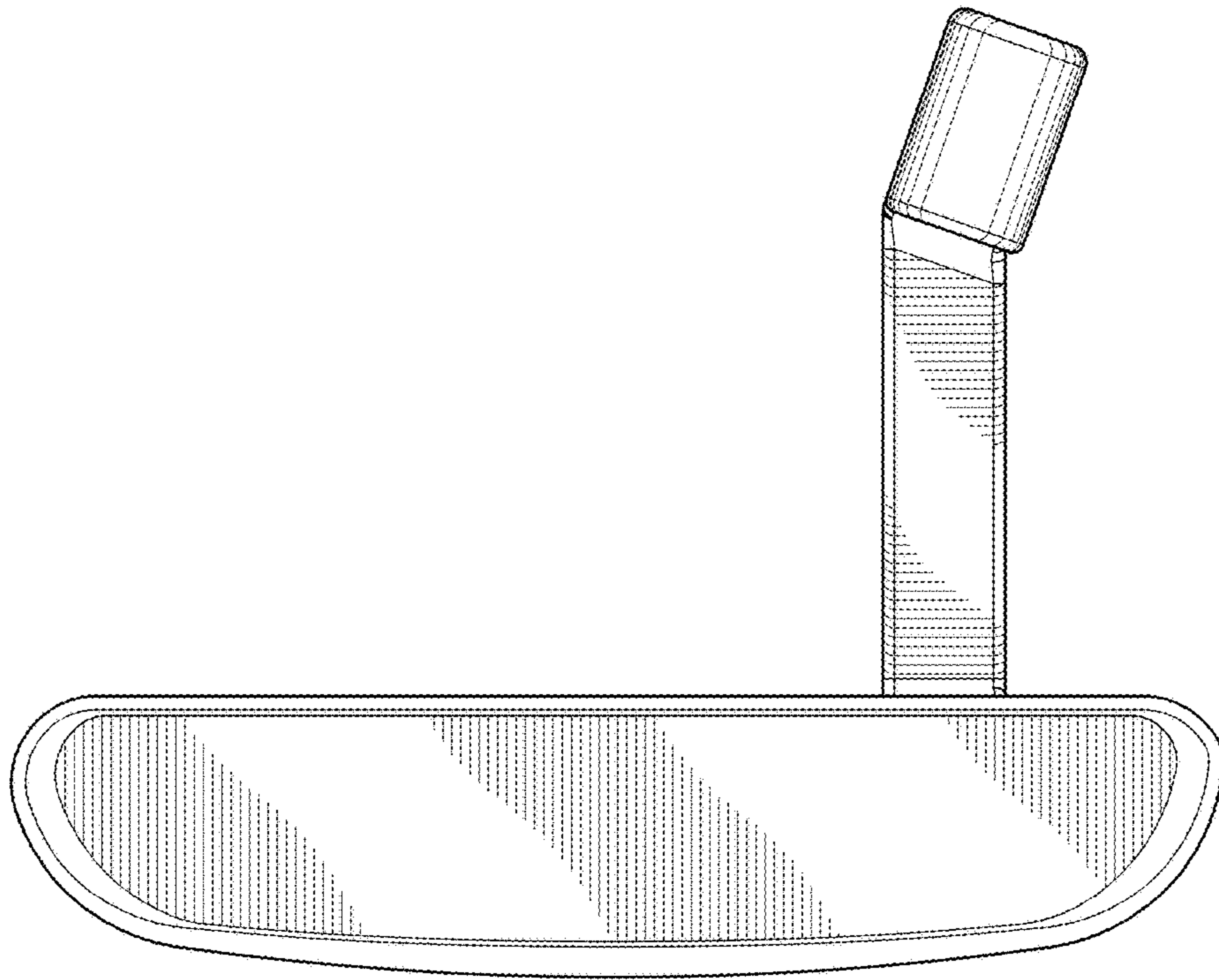


Fig. 11

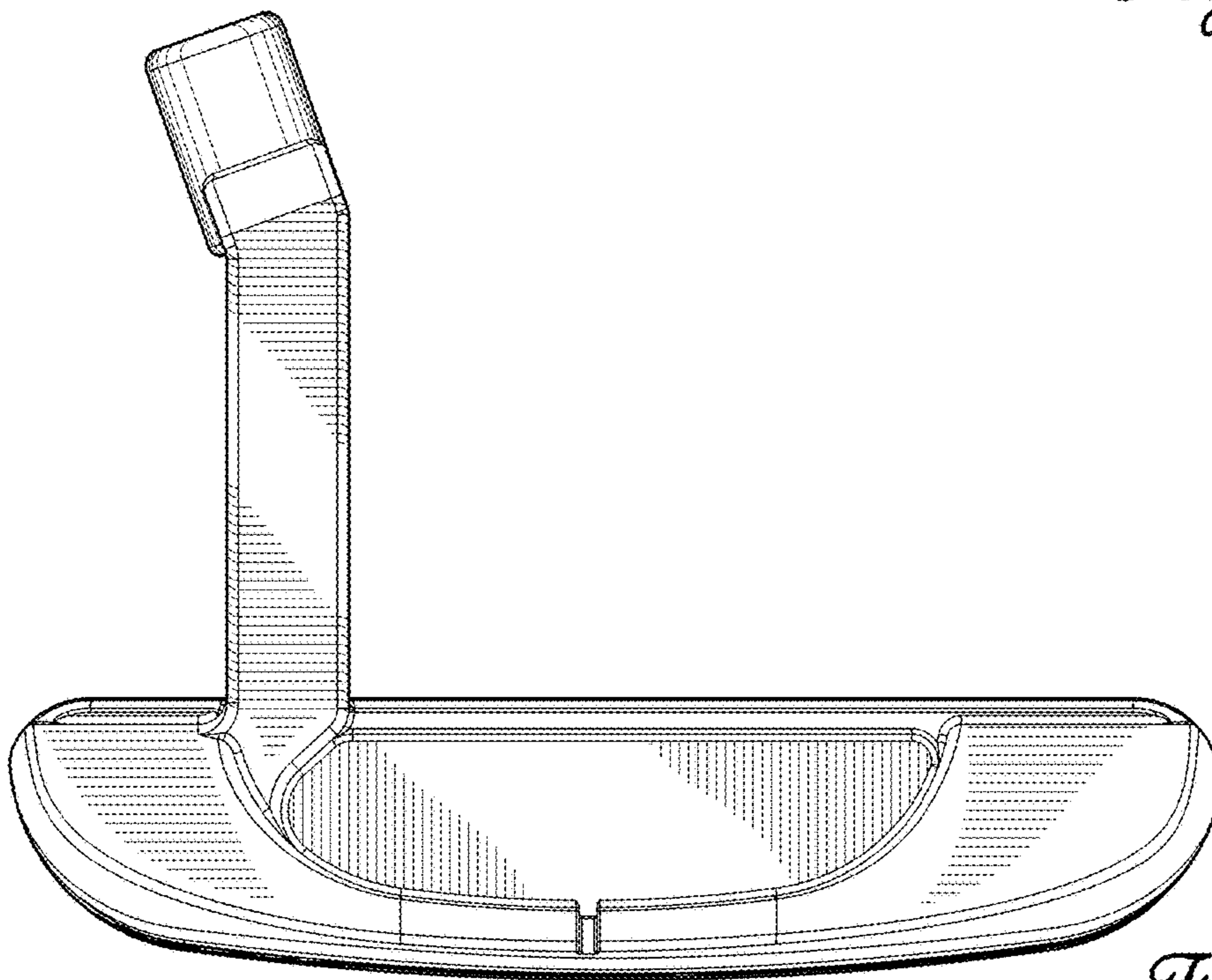


Fig. 12

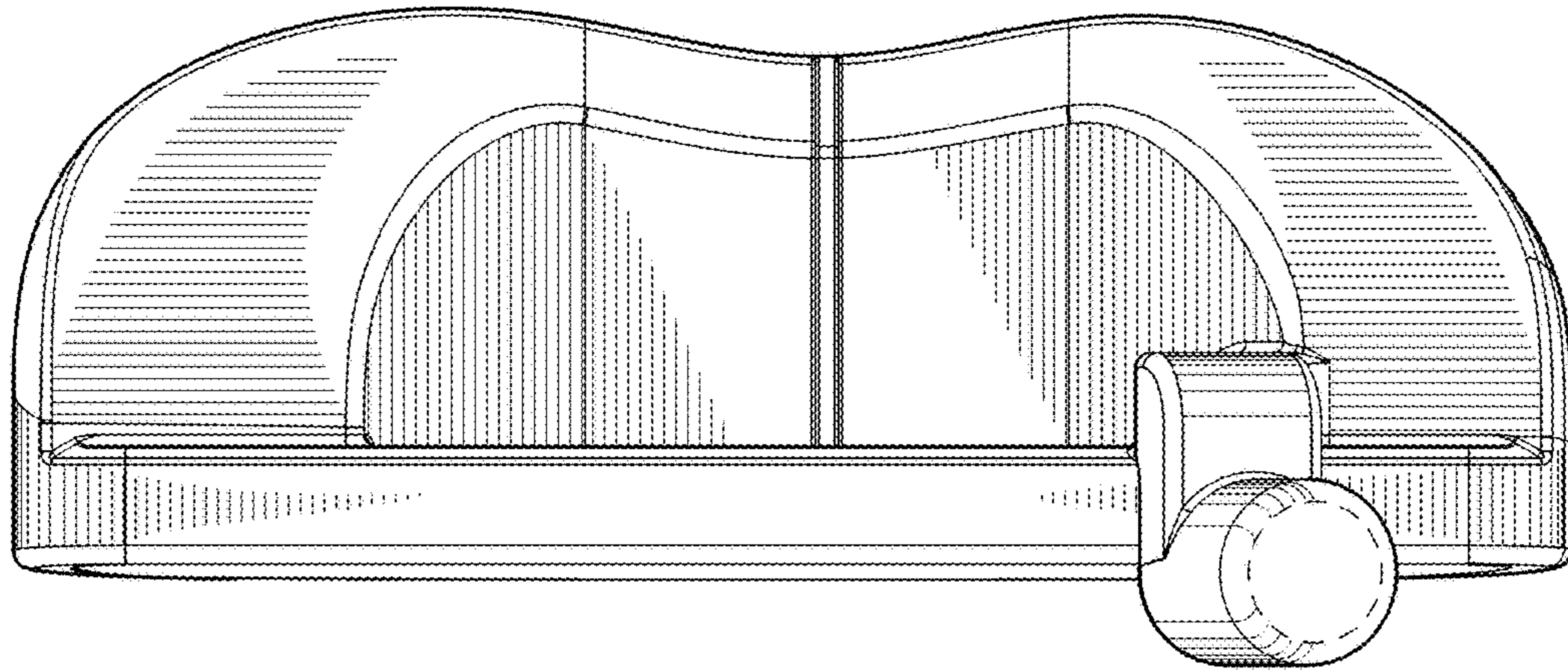


Fig. 13

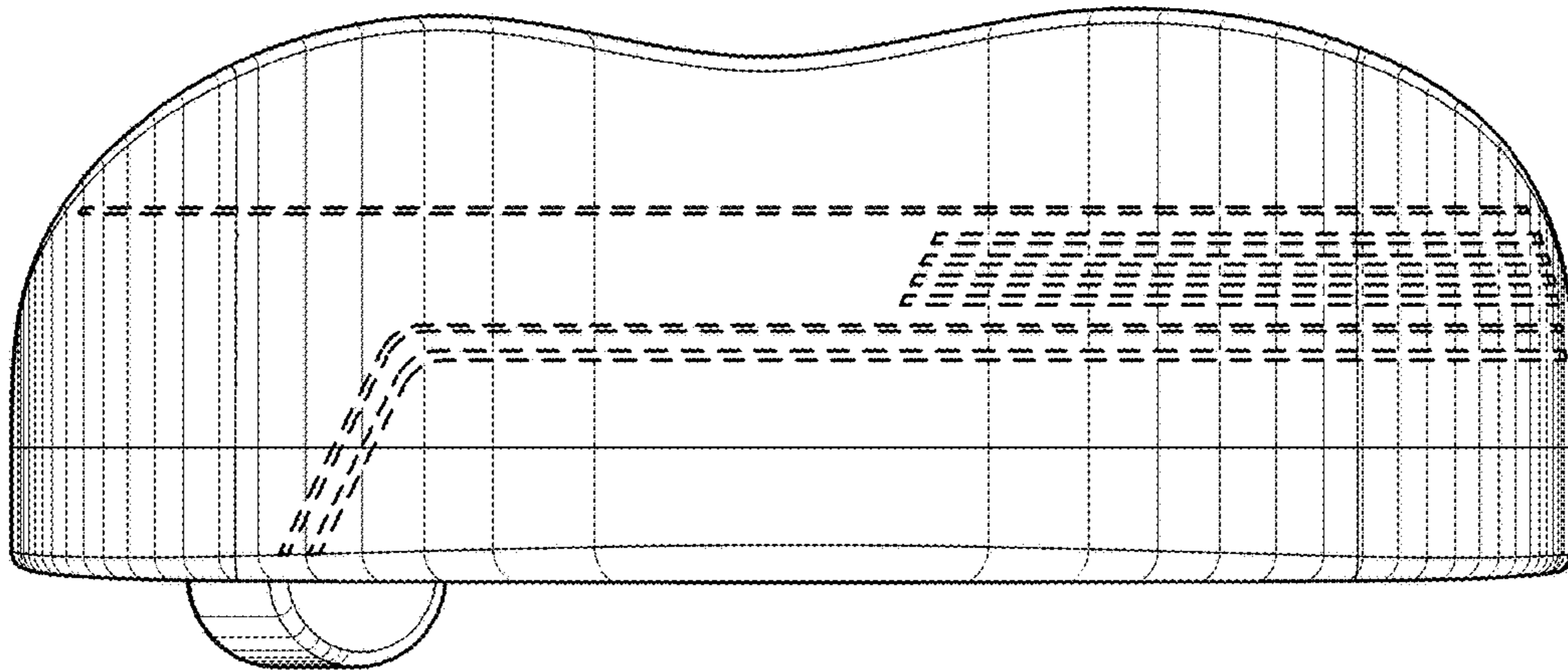


Fig. 14

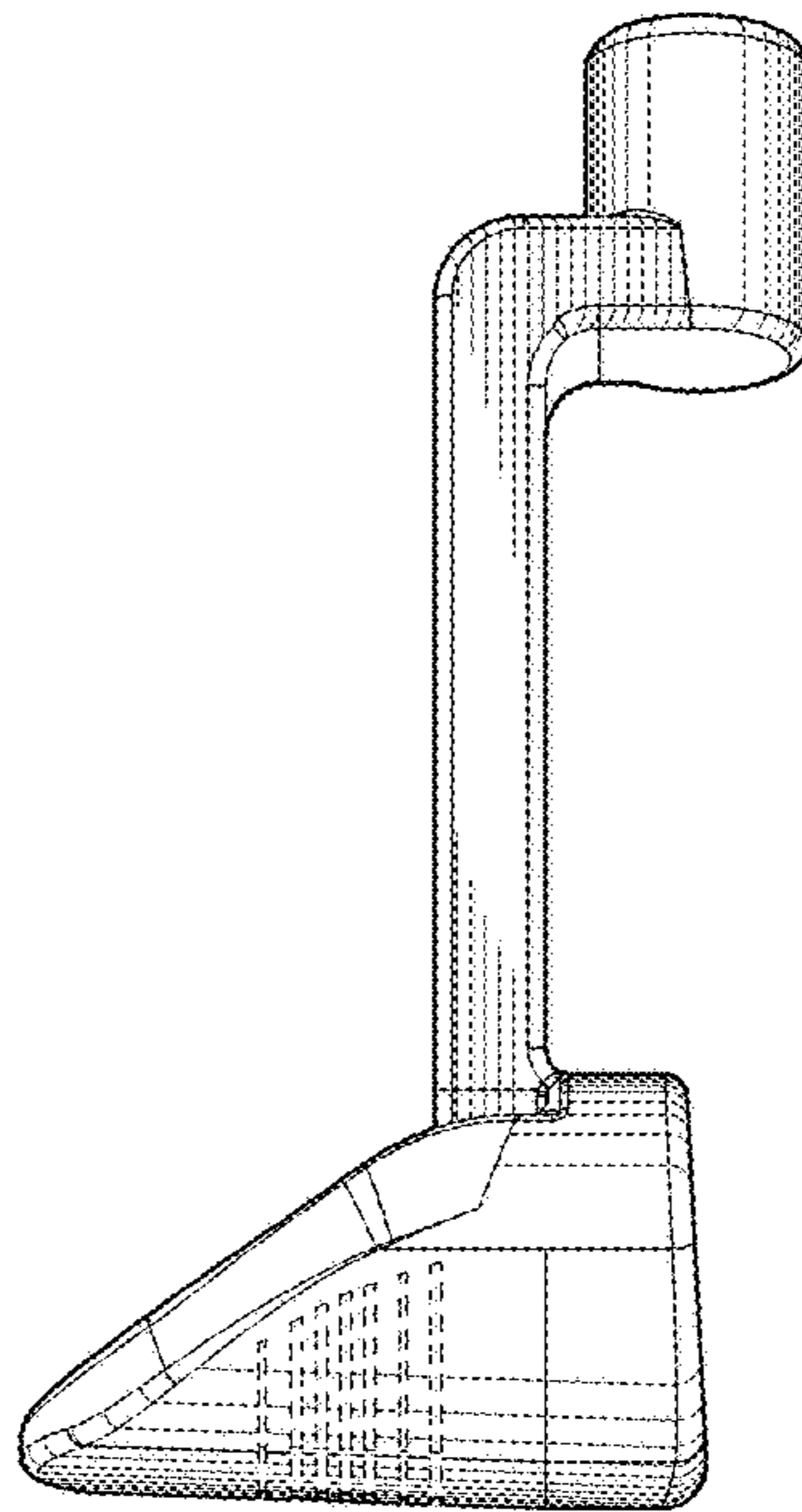


Fig. 15

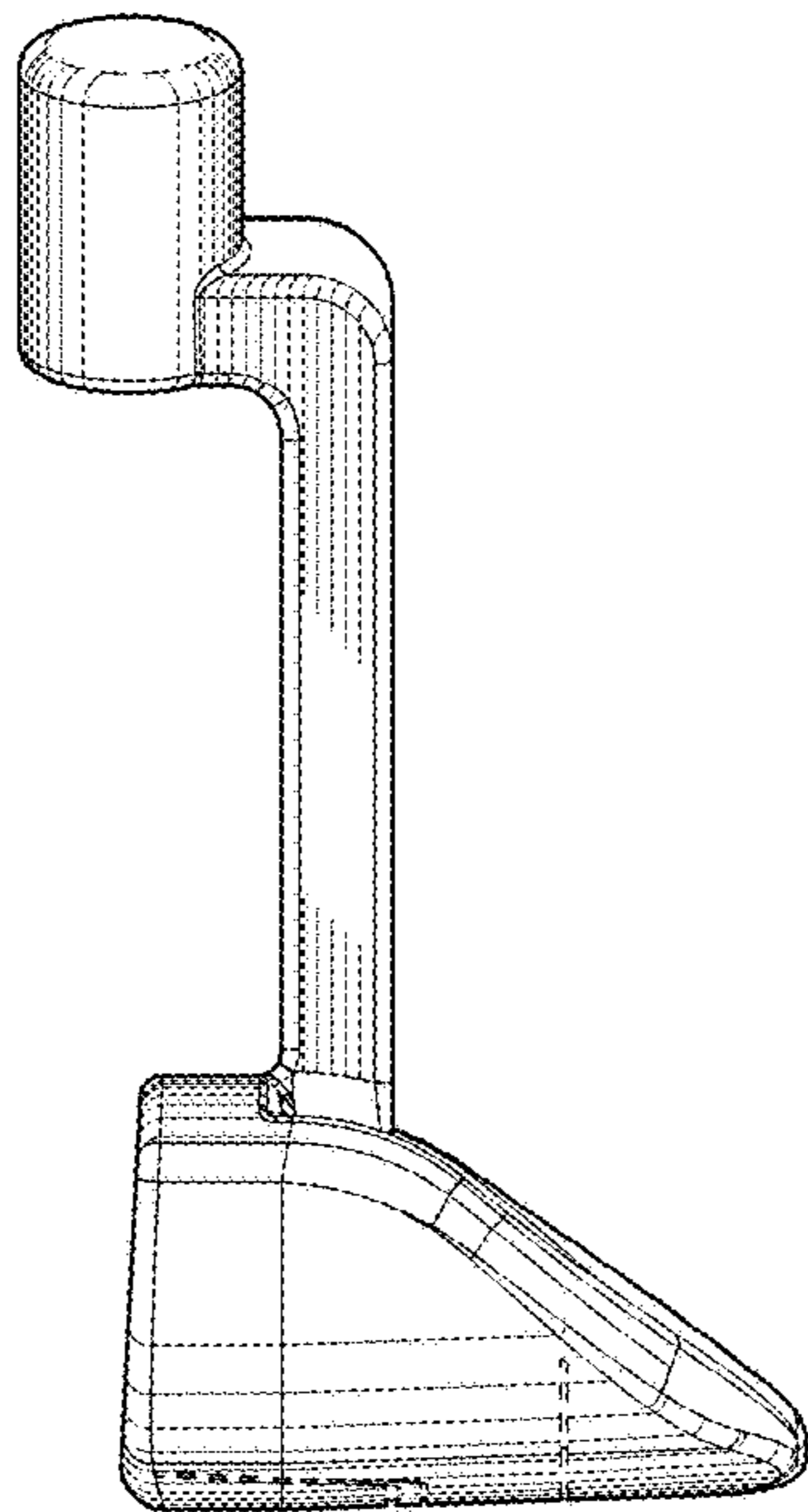


Fig. 16