



US00D796598S

(12) **United States Design Patent**  
**Serrano et al.**

(10) **Patent No.:** **US D796,598 S**

(45) **Date of Patent:** **\*\* Sep. 5, 2017**

(54) **GOLF CLUB HEAD**

(71) Applicant: **KARSTEN MANUFACTURING CORPORATION**, Phoenix, AZ (US)

(72) Inventors: **Anthony Serrano**, Anthem, AZ (US);  
**Xiaojian Chen**, Phoenix, AZ (US);  
**Calvin Wang**, Chandler, AZ (US);  
**David Higdon**, Phoenix, AZ (US)

(73) Assignee: **Karsten Manufacturing Corporation**, Phoenix, AZ (US)

(\*\*) Term: **15 Years**

(21) Appl. No.: **29/564,653**

(22) Filed: **May 13, 2016**

(51) **LOC (10) Cl.** ..... **21-02**

(52) **U.S. Cl.**  
USPC ..... **D21/736**

(58) **Field of Classification Search**  
USPC ..... D21/736-746, 759  
CPC ..... A63B 53/00; A63B 53/007; A63B 53/065;  
A63B 53/0487; A63B 53/04  
See application file for complete search history.

(56) **References Cited**

**U.S. PATENT DOCUMENTS**

1,897,264 A	2/1933	Lamb
1,901,562 A	3/1933	Main
2,014,829 A	9/1935	Young
2,486,952 A	11/1949	Kearsley
3,042,405 A	1/1962	Solheim
D196,734 S	10/1963	Solheim
D202,715 S	11/1965	Solheim
D203,512 S	1/1966	Solheim
D207,227 S	3/1967	Solheim
D207,228 S	3/1967	Solheim
D209,761 S	1/1968	Solheim
D213,509 S	3/1969	Solheim

D218,178 S	7/1970	Solheim	
D231,375 S	4/1974	Solheim	
D235,668 S	7/1975	Swash	
D239,778 S	5/1976	Solheim	
3,954,265 A	5/1976	Taylor	
D255,329 S	6/1980	Luck	
D255,373 S	6/1980	Solheim	
D256,824 S *	9/1980	Ward	473/303
4,222,566 A	9/1980	Berry	

(Continued)

*Primary Examiner* — Mitchell Siegel

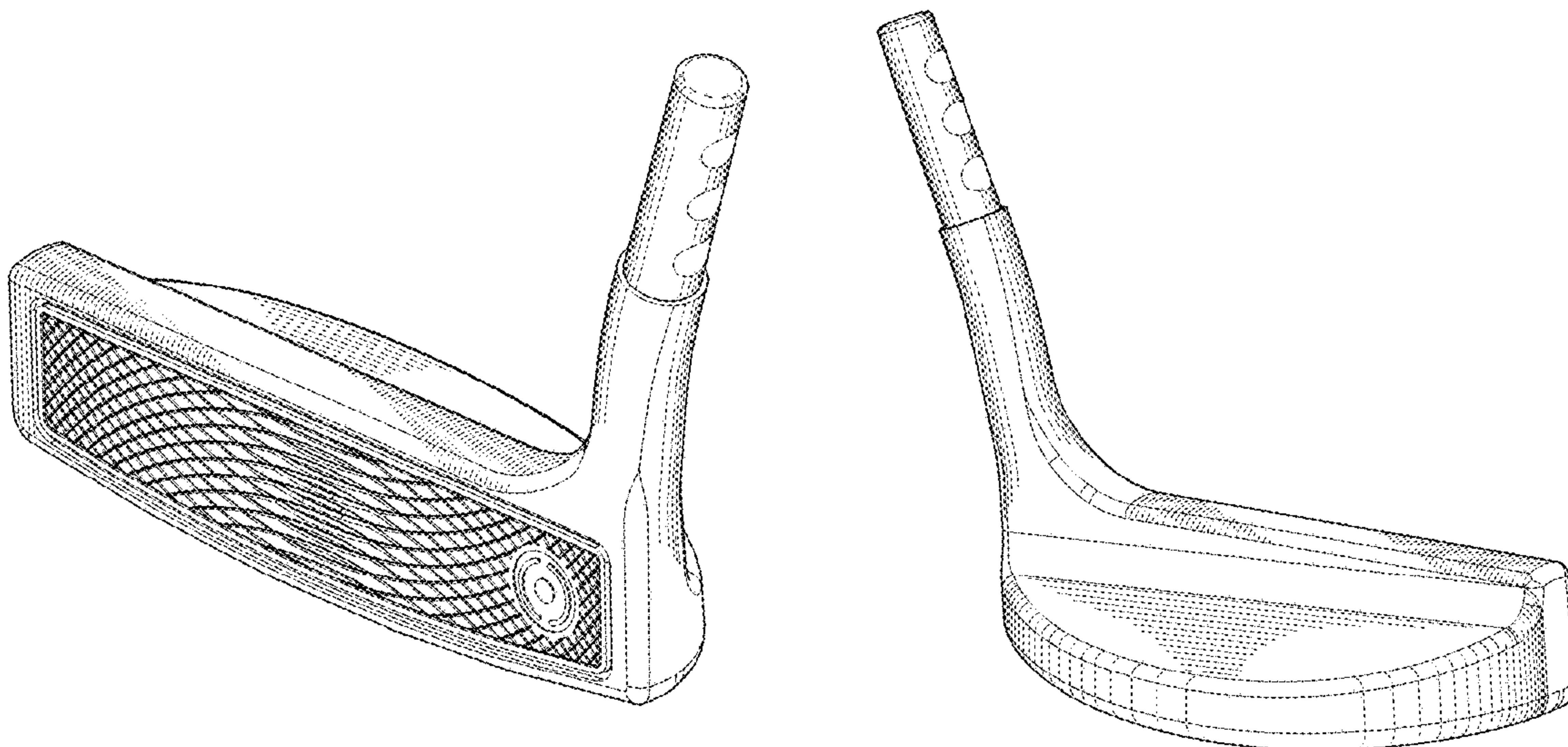
(57) **CLAIM**

The ornamental design for a golf club head, as shown and described.

**DESCRIPTION**

FIG. 1 is a front perspective view of a golf club head;  
 FIG. 2 is a rear perspective view of the golf club head of FIG. 1;  
 FIG. 3 is a front view of the golf club head of FIG. 1;  
 FIG. 4 is a rear view of the golf club head of FIG. 1;  
 FIG. 5 is a top view of the golf club head of FIG. 1;  
 FIG. 6 is a bottom view of the golf club head of FIG. 1;  
 FIG. 7 is a toe view of the golf club head of FIG. 1;  
 FIG. 8 is a heel view of the golf club head of FIG. 1;  
 FIG. 9 is a front perspective view of another golf club head;  
 FIG. 10 is a rear perspective view of the golf club head of FIG. 9;  
 FIG. 11 is a front view of the golf club head of FIG. 9;  
 FIG. 12 is a rear view of the golf club head of FIG. 9;  
 FIG. 13 is a top view of the golf club head of FIG. 9;  
 FIG. 14 is a bottom view of the golf club head of FIG. 9;  
 FIG. 15 is a toe view of the golf club head of FIG. 9; and,  
 FIG. 16 is a heel view of the golf club head of FIG. 9.  
 The broken lines shown in one or more of the figures are for illustrative purposes only and form no part of the claimed design.

**1 Claim, 8 Drawing Sheets**





(56)

References Cited

U.S. PATENT DOCUMENTS

D263,614 S	3/1982	Solheim		D514,181 S	1/2006	Cameron
D267,738 S *	1/1983	Giebel .....	D21/739	D514,182 S	1/2006	Olsavsky
4,390,184 A	6/1983	Rudell		D515,646 S	2/2006	Perry
4,527,799 A	7/1985	Solheim		7,004,849 B2	2/2006	Cameron
D283,039 S	3/1986	Solheim		D517,143 S	3/2006	Petsel
4,695,054 A	9/1987	Tunstall		D518,127 S	3/2006	Tang
4,714,252 A	12/1987	Roraback		D520,583 S	5/2006	Rollinson
D293,926 S *	1/1988	Antonious .....	D21/740	D521,582 S	5/2006	Souza
D294,059 S *	2/1988	Antonious .....	D21/740	7,052,411 B2	5/2006	Solheim
4,722,528 A	2/1988	Tsao		D522,598 S	6/2006	Solheim
4,741,535 A	5/1988	Leonhardt		D524,887 S	7/2006	Jones
4,834,387 A	5/1989	Waites		D525,327 S	7/2006	Jones
D315,005 S	2/1991	Solheim		D525,328 S	7/2006	Solheim
D324,555 S	3/1992	Evans		7,077,758 B2	7/2006	Rohrer
D333,331 S	2/1993	Evans		D527,777 S	9/2006	Solheim
5,211,401 A	5/1993	Hainey		D529,560 S	10/2006	Madore
5,226,654 A	7/1993	Solheim		D532,842 S	11/2006	Jones
D341,405 S	11/1993	Solheim		D532,843 S	11/2006	Jones
D342,112 S	12/1993	Diesterheft		D532,845 S	11/2006	Rollinson
5,320,346 A	6/1994	Phillips		D532,846 S	11/2006	Lee
5,320,353 A	6/1994	Moore		D533,243 S	12/2006	Fife, Jr.
5,324,031 A	6/1994	Green		D533,609 S	12/2006	Moore
D356,615 S	3/1995	Solheim		7,147,569 B2	12/2006	Tang
D356,844 S	3/1995	Solheim		D534,974 S	1/2007	Haack
D356,846 S	3/1995	Murrill		D536,400 S	2/2007	DiBattista, Sr.
D357,291 S	4/1995	Solheim		D537,135 S	2/2007	Rollinson
5,482,281 A	1/1996	Anderson		D539,860 S	4/2007	Fussell
D375,768 S	11/1996	Solheim		D542,873 S	5/2007	Oldknow
5,580,058 A	12/1996	Coughlin		D545,385 S	6/2007	Tang
D379,484 S	5/1997	Solheim		D547,403 S	7/2007	Serrano
D380,246 S	6/1997	Anderson		D547,404 S	7/2007	Serrano
5,716,290 A	2/1998	Baker		D547,405 S	7/2007	Serrano
D399,911 S	10/1998	Nicolette et al.		D548,295 S	8/2007	Jertson
5,820,481 A	10/1998	Raudman		D552,197 S	10/2007	Wells
D400,610 S	11/1998	Cameron et al.		D557,361 S	12/2007	Rollinson
D402,343 S	12/1998	Helmstetter et al.		7,326,121 B2	2/2008	Roake
D405,836 S	2/1999	Nicolette		D564,606 S	3/2008	Oldknow
D405,856 S	2/1999	Tang et al.		D564,607 S	3/2008	Oldknow
D407,445 S	3/1999	Rollinson et al.		D565,138 S	3/2008	Wilson
D410,267 S	5/1999	Solheim		D569,461 S	5/2008	Morris
D411,271 S	6/1999	Nelson		D569,462 S	5/2008	Rollinson
D428,086 S	7/2000	Solheim		D571,877 S	6/2008	Jones
D441,820 S	5/2001	Nicolette		D571,878 S	6/2008	Jones
D443,905 S	6/2001	Nicolette		D571,879 S	6/2008	Jones
D444,833 S	7/2001	Wells		7,390,267 B2	6/2008	Grace
D450,799 S	11/2001	Nicolette		D573,673 S	7/2008	Noyes
D451,973 S	12/2001	Wells		D574,907 S	8/2008	Jones
D454,169 S	3/2002	Solheim		D574,908 S	8/2008	Hettinger
6,402,638 B1	6/2002	Kelley		D574,909 S	8/2008	Jones
D464,099 S	10/2002	Cole		D574,910 S	8/2008	Jones
D467,291 S	12/2002	Ngon		D574,911 S	8/2008	Jones
D472,949 S	4/2003	Serrano		D574,912 S	8/2008	Jones
D474,821 S	5/2003	Wells		D575,366 S	8/2008	Rollinson
D477,041 S	7/2003	Cameron		D577,085 S	9/2008	Nicolette
6,634,956 B1	10/2003	Pegg		D577,086 S	9/2008	Nicolette
D483,086 S *	12/2003	Schweigert .....	D21/736	D577,398 S	9/2008	Hilton
6,663,497 B2	12/2003	Cameron		D579,505 S	10/2008	Jones
D488,200 S	4/2004	Olsavsky		D579,506 S	10/2008	Nicolette
D494,237 S	8/2004	Ware		D579,995 S	11/2008	Nicolette
D498,276 S	11/2004	Schweigert		7,455,599 B2	11/2008	Jones
D499,778 S	12/2004	Cameron		D582,497 S	12/2008	Rollinson
D500,109 S	12/2004	Solheim		D585,510 S	1/2009	Murrieta
D500,110 S	12/2004	Solheim		7,473,189 B2	1/2009	Schweigert
D500,539 S	1/2005	Holloway		7,481,713 B2	1/2009	Beckman
D502,234 S	2/2005	Grace		D587,325 S	2/2009	Solheim
D502,748 S	3/2005	Burrows		D590,035 S	4/2009	Hilton
D505,702 S	5/2005	Wood		D590,461 S	4/2009	Kim
D506,795 S	6/2005	Petersen		D591,371 S	4/2009	Hilton
D506,796 S	6/2005	Li		D591,372 S	4/2009	Tang
D507,613 S	7/2005	Baiocchi		D591,806 S	5/2009	Cameron
D508,273 S	8/2005	Garner		D591,807 S	5/2009	Rollinson
D510,394 S	10/2005	Tang		D592,717 S	5/2009	Rollinson
D511,802 S	11/2005	Cameron		D594,073 S	6/2009	Kadoya
6,960,140 B2	11/2005	Solheim		D594,517 S	6/2009	Tang
6,966,845 B2	11/2005	Solheim		D594,917 S	6/2009	Stellander
				D595,372 S	6/2009	Rollinson
				D595,373 S	6/2009	Kim
				D596,685 S	7/2009	Wallans
				D599,423 S	9/2009	Serrano

(56)

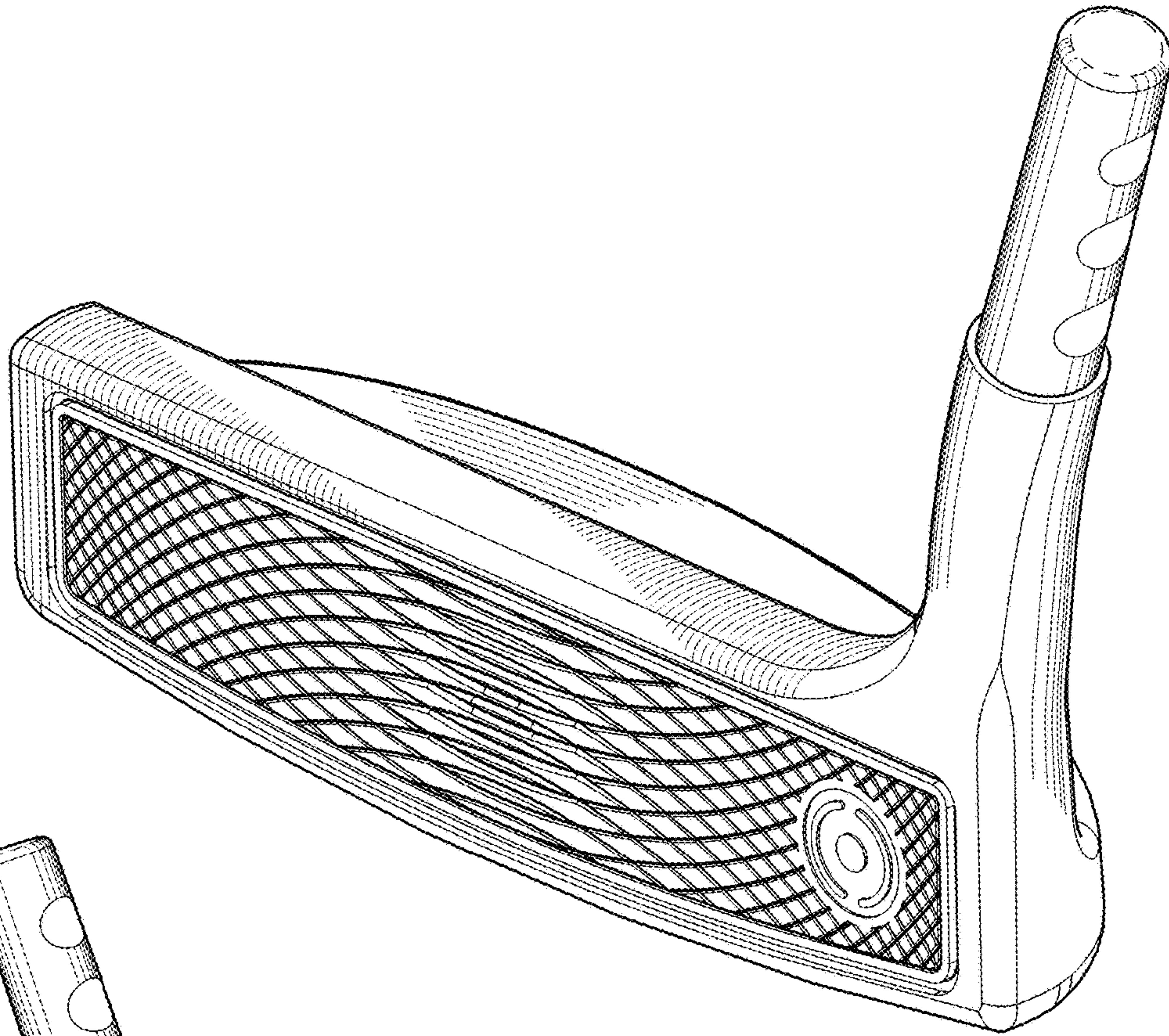
References Cited

U.S. PATENT DOCUMENTS

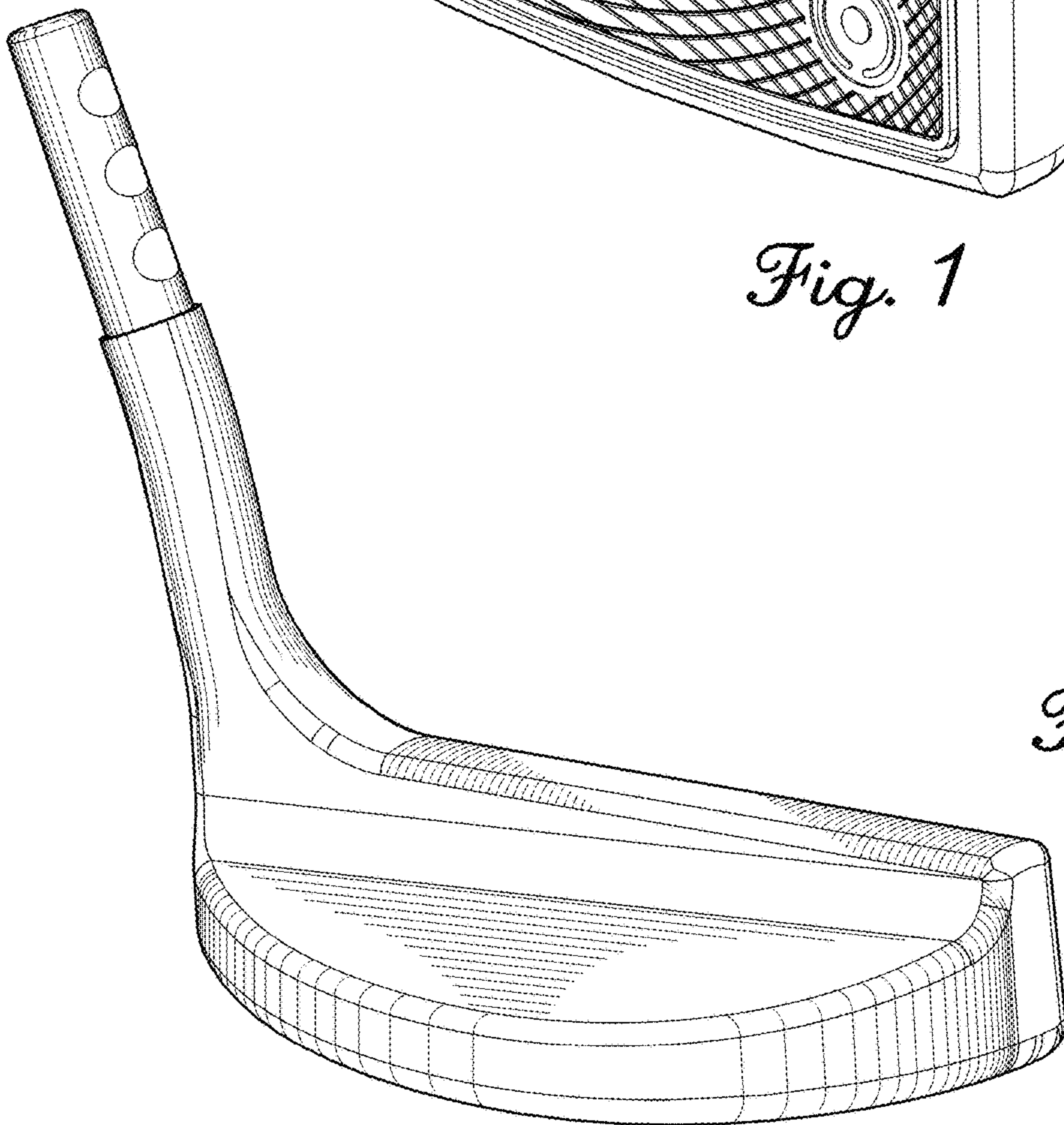
D599,424 S	9/2009	Serrano	D621,462 S	8/2010	Serrano	
D599,425 S	9/2009	Laub	D621,891 S	8/2010	Serrano	
D599,863 S	9/2009	Quijada	D623,709 S	9/2010	Serrano	
D599,869 S	9/2009	Serrano	7,803,066 B2	9/2010	Solheim	
D599,870 S	9/2009	Serrano	D624,978 S	10/2010	Rollinson	
D600,760 S	9/2009	Serrano	D625,374 S *	10/2010	Hettinger	D21/743
D600,761 S	9/2009	Solheim	D635,625 S	4/2011	Rollinson	
D600,762 S	9/2009	Serrano	D641,438 S *	7/2011	Rollinson	D21/736
D601,214 S	9/2009	Serrano	D650,455 S	12/2011	Serrano et al.	
D603,008 S	10/2009	Donahue	D769,994 S *	10/2016	Hunter	D21/743
7,601,076 B2	10/2009	Rollinson	D779,006 S *	2/2017	Abbott	D21/744
D604,782 S	11/2009	Franklin	2003/0228925 A1	12/2003	Rohrer	
D606,139 S	12/2009	Ines	2007/0021229 A1	1/2007	Haack	
7,645,199 B2	1/2010	Cameron	2007/0049402 A1	3/2007	Sanchez	
D621,458 S	8/2010	Serrano	2007/0298904 A1	12/2007	Dworzan	
D621,459 S	8/2010	Serrano	2009/0029800 A1	1/2009	Jones	
D621,460 S	8/2010	Serrano	2009/0105008 A1	4/2009	Kuan	
D621,461 S	8/2010	Serrano	2009/0170629 A1	7/2009	Hilton	
			2009/0270196 A1	10/2009	Solheim	
			2009/0305806 A1	12/2009	Campadore	
			2009/0305807 A1	12/2009	Solheim	

\* cited by examiner

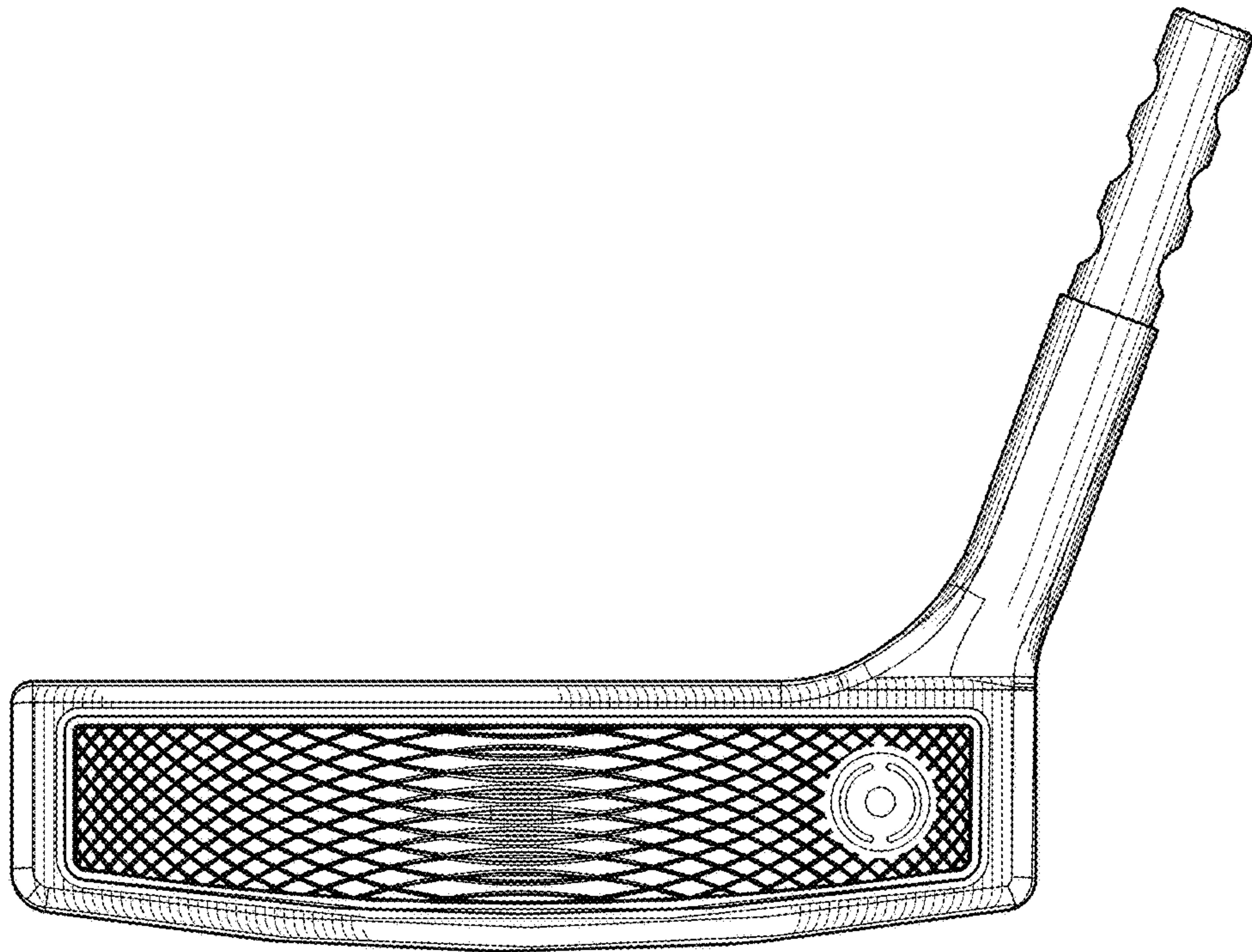




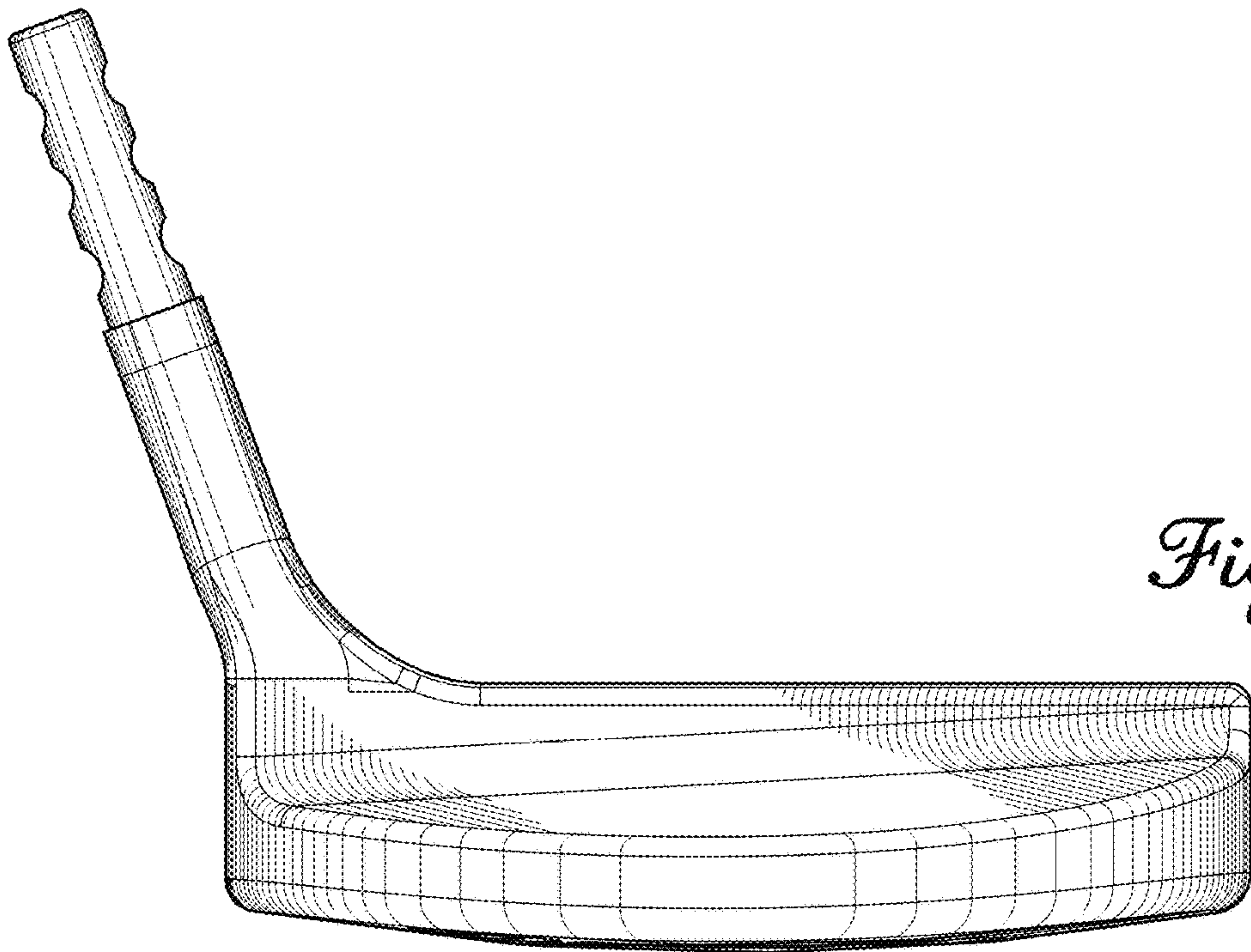
*Fig. 1*



*Fig. 2*

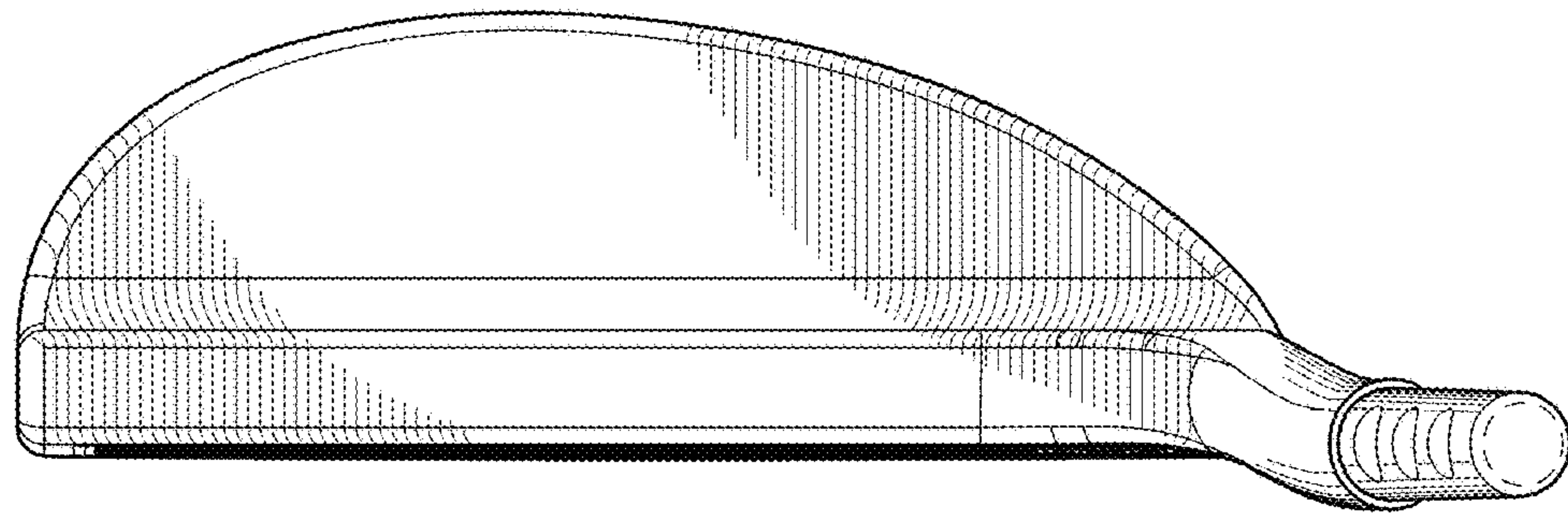


*Fig. 3*

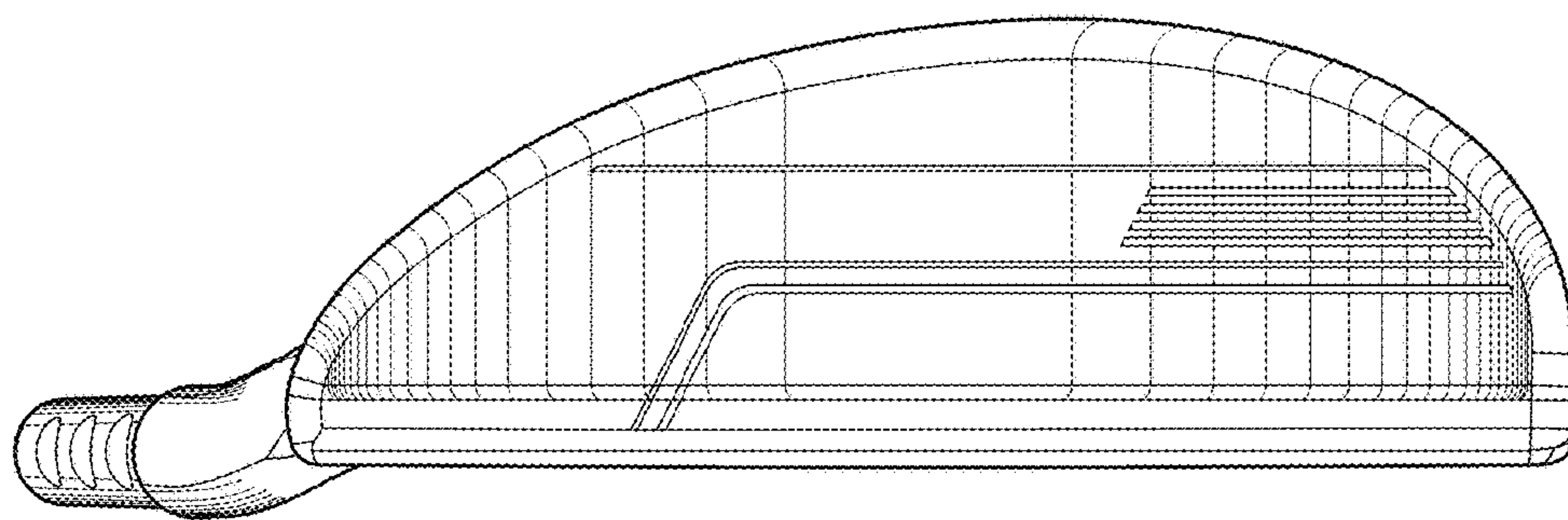


*Fig. 4*

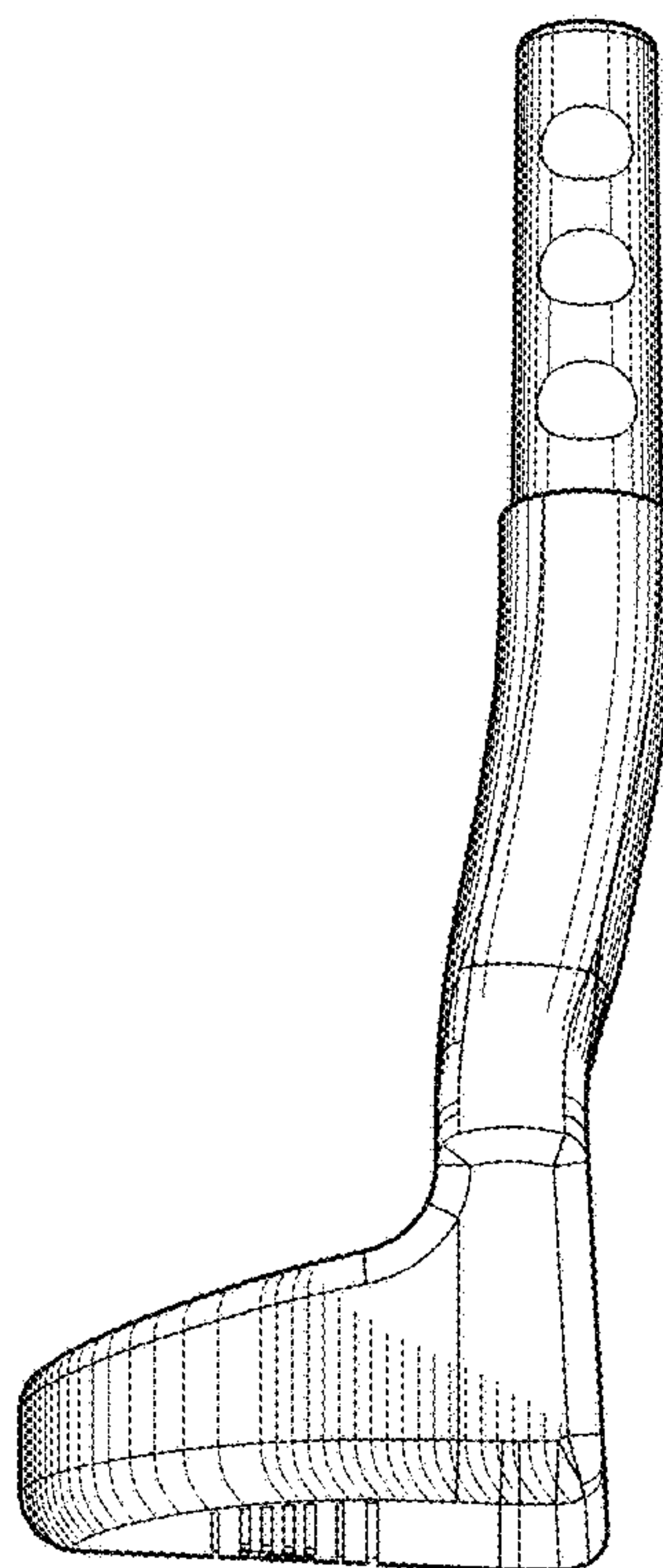




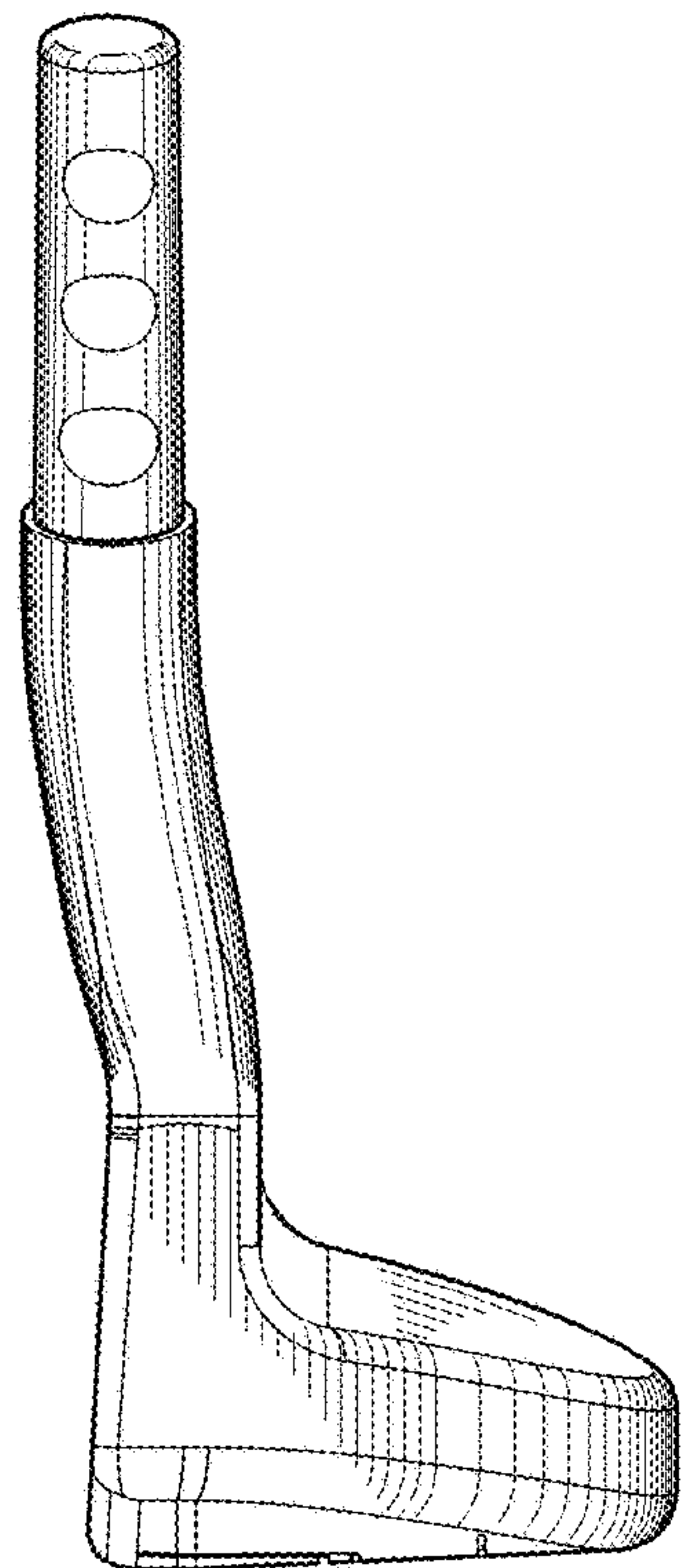
*Fig. 5*



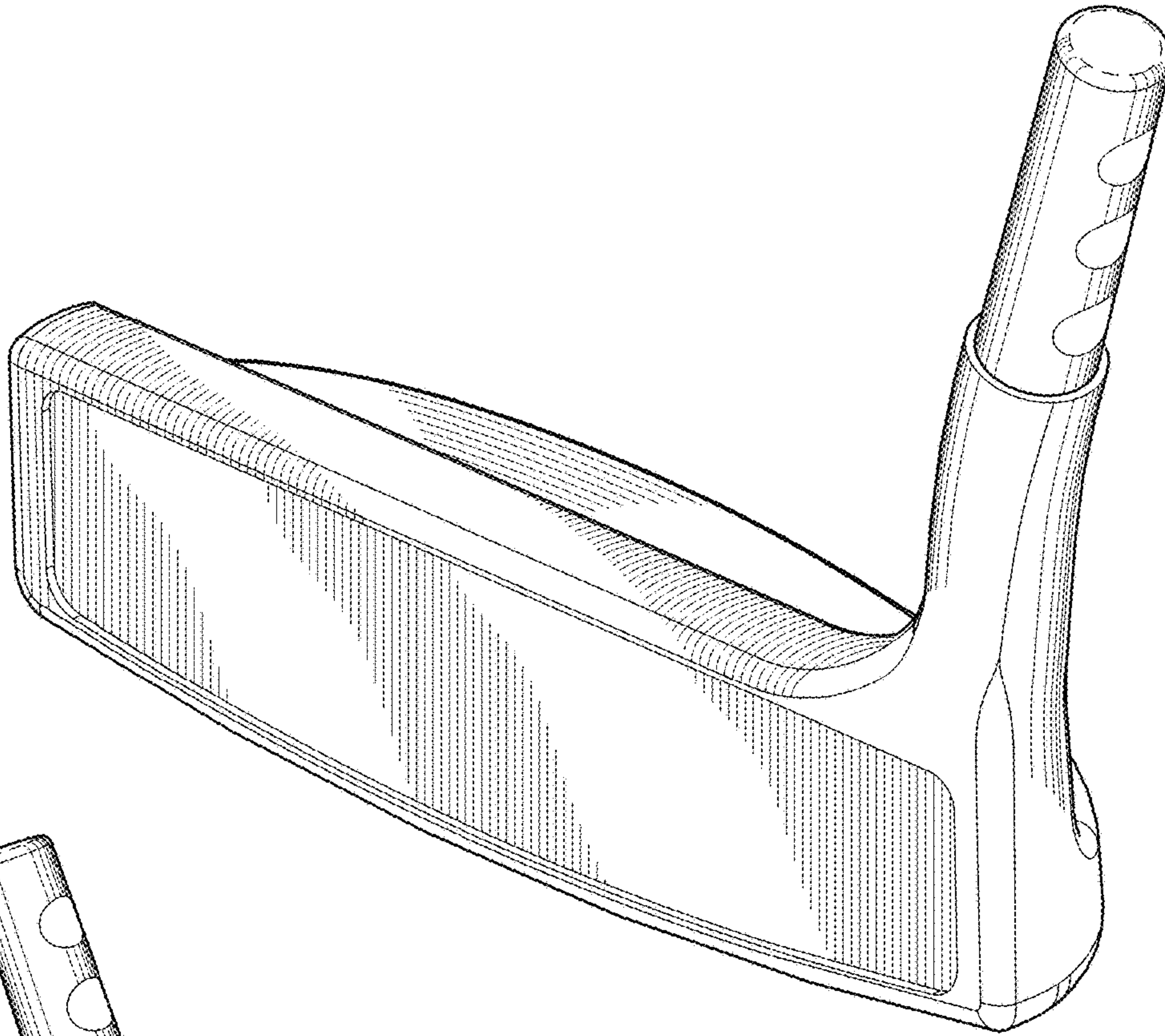
*Fig. 6*



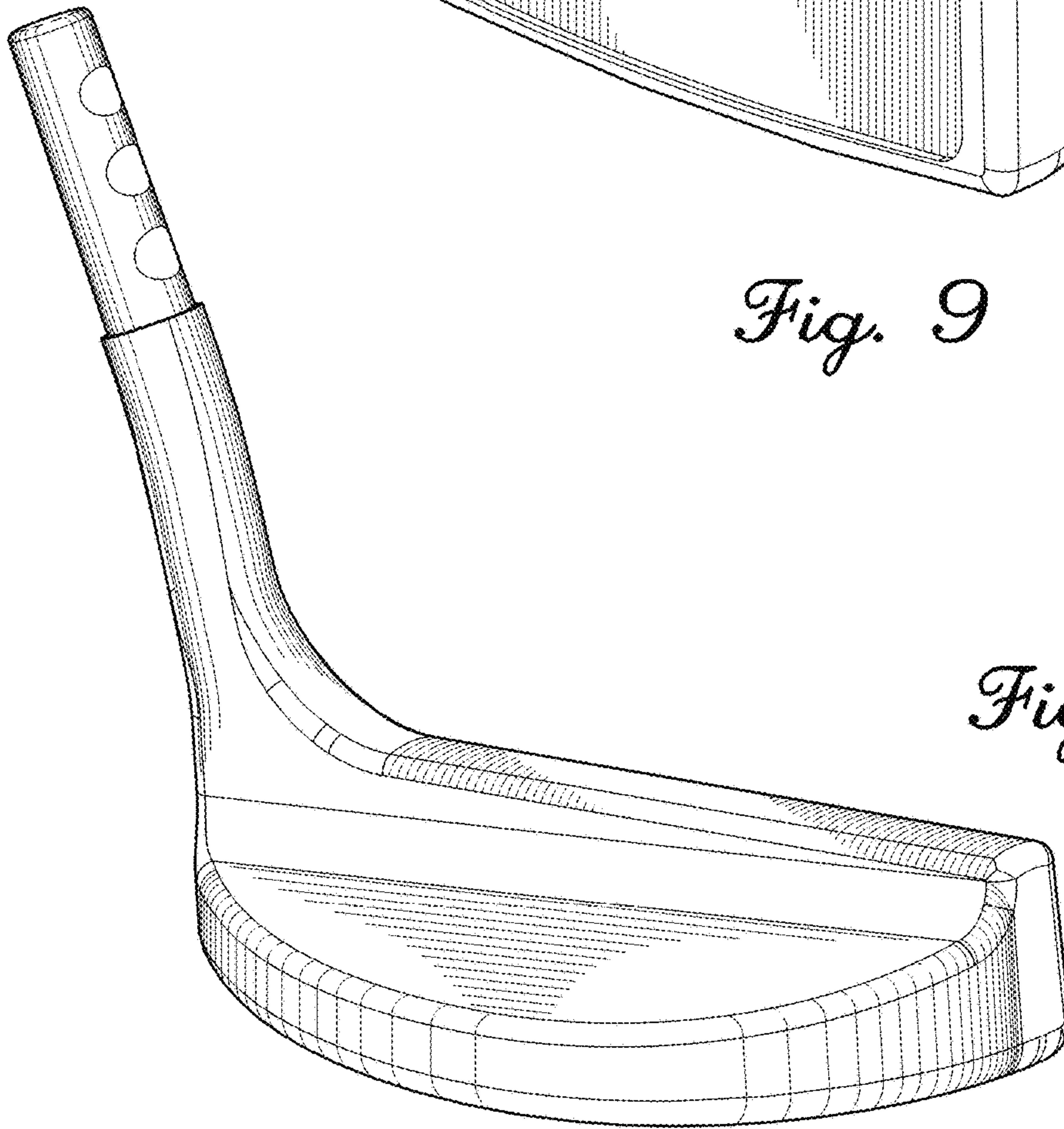
*Fig. 7*



*Fig. 8*

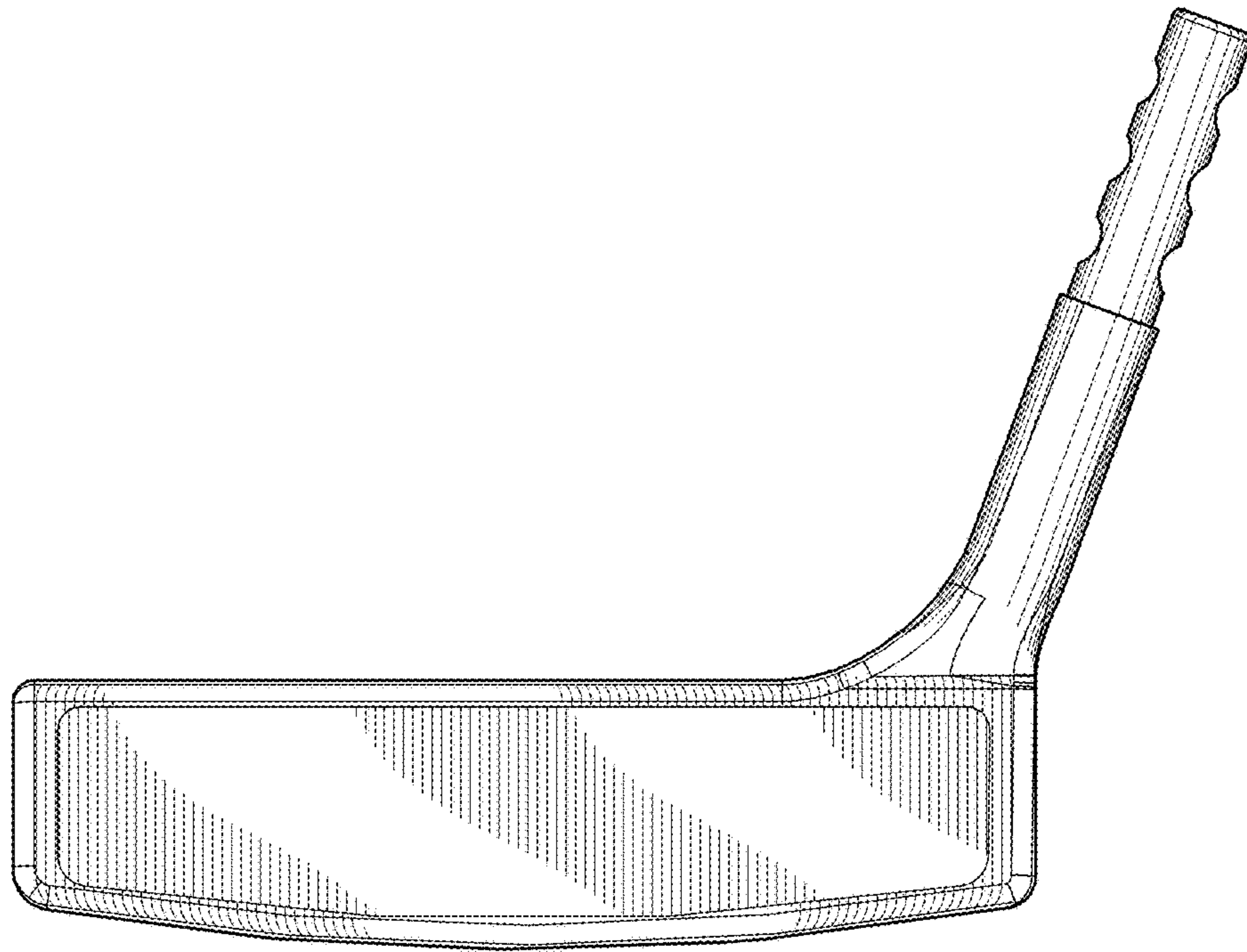


*Fig. 9*

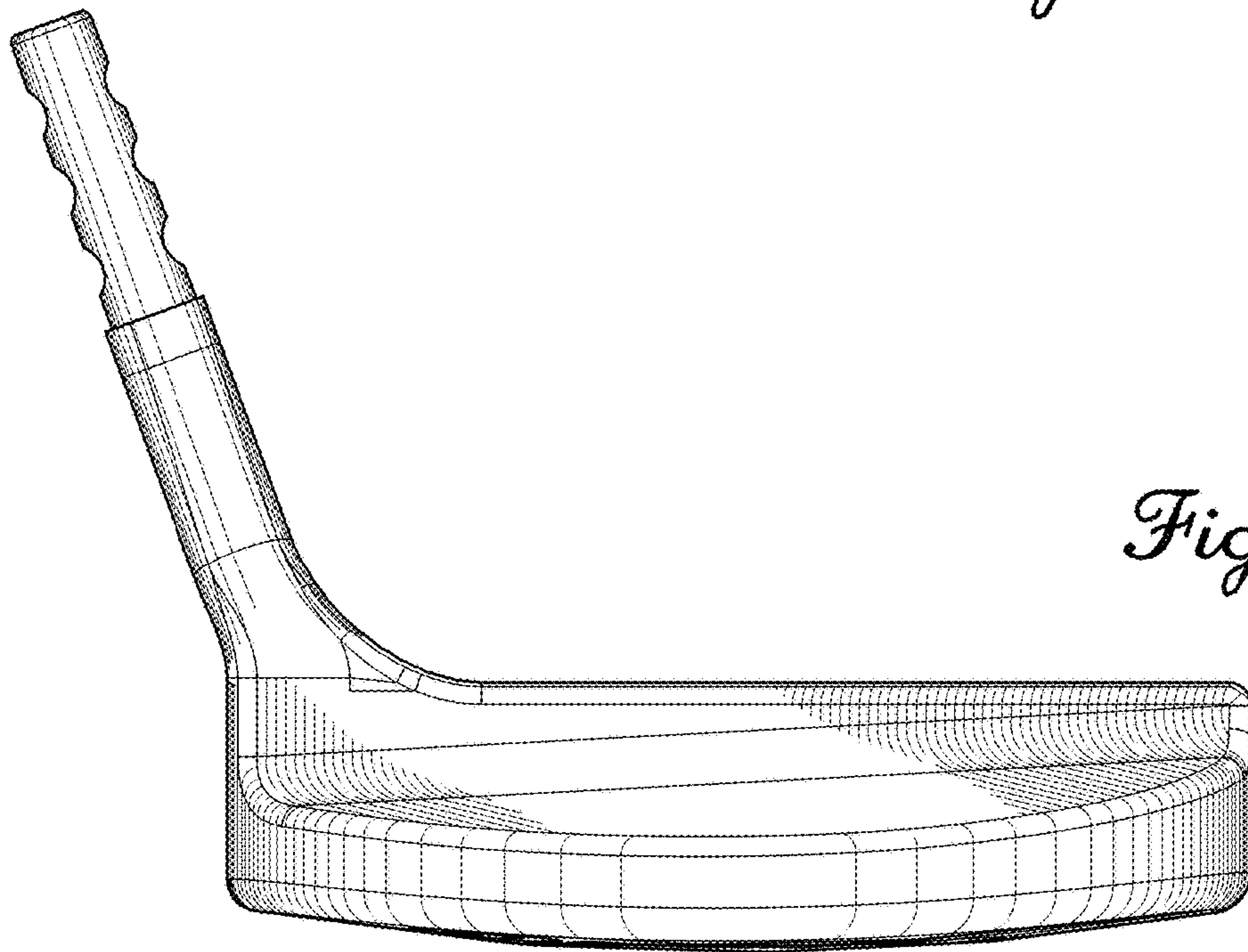


*Fig. 10*

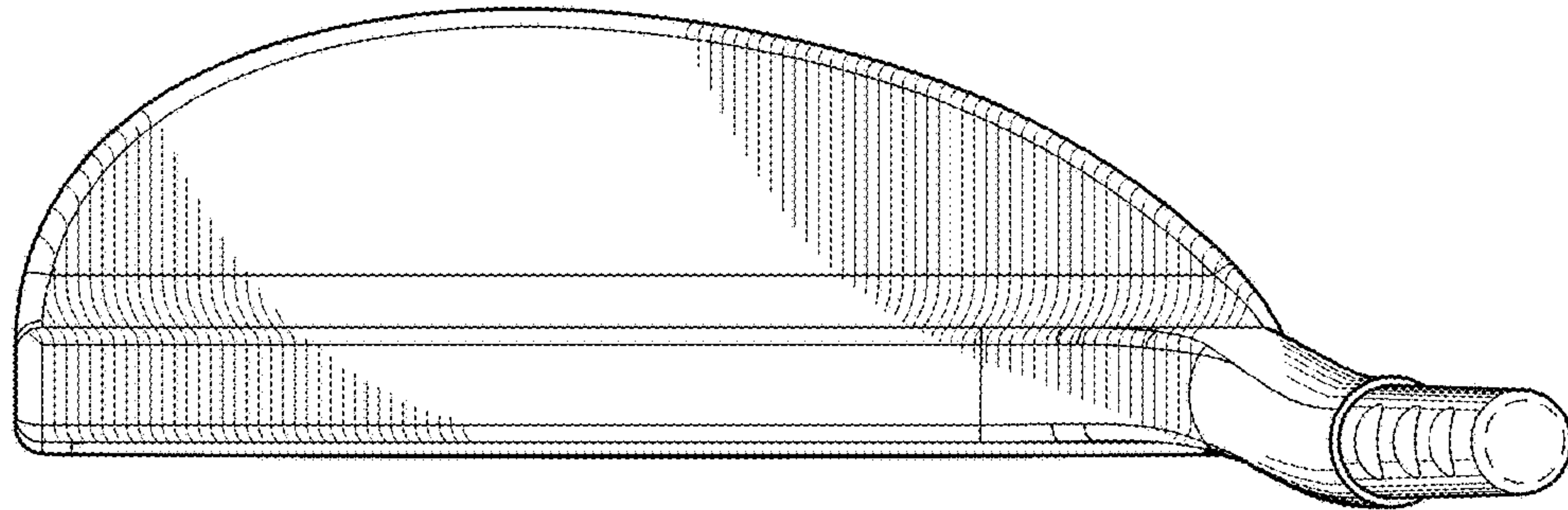




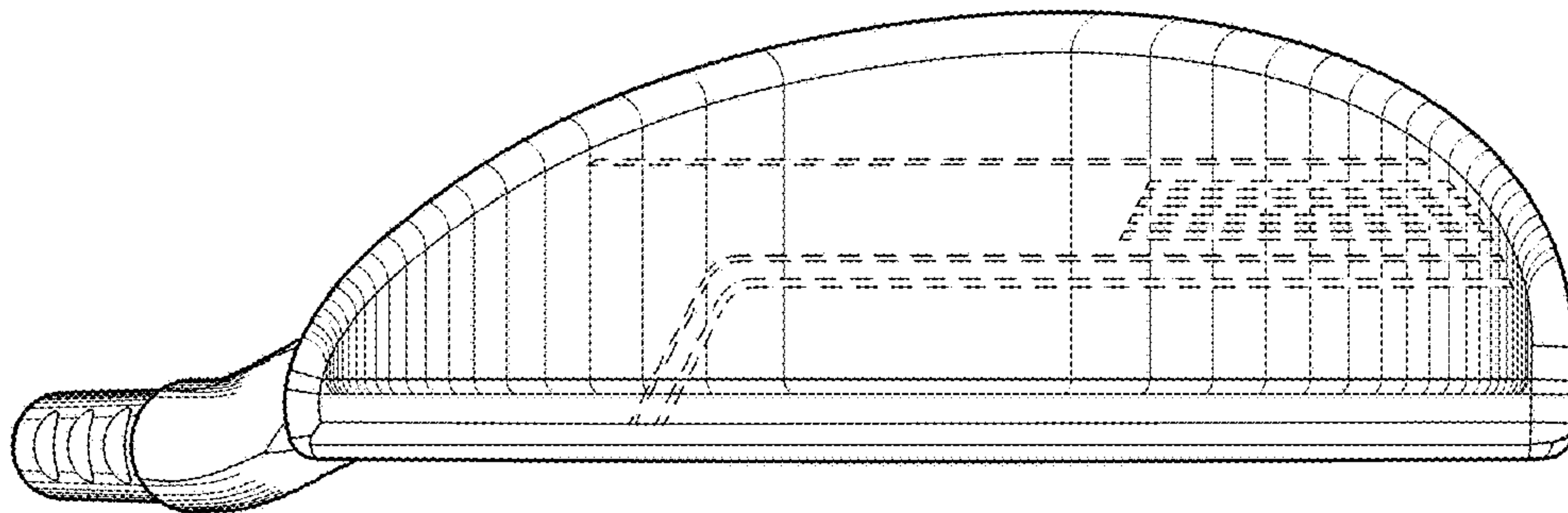
*Fig. 11*



*Fig. 12*

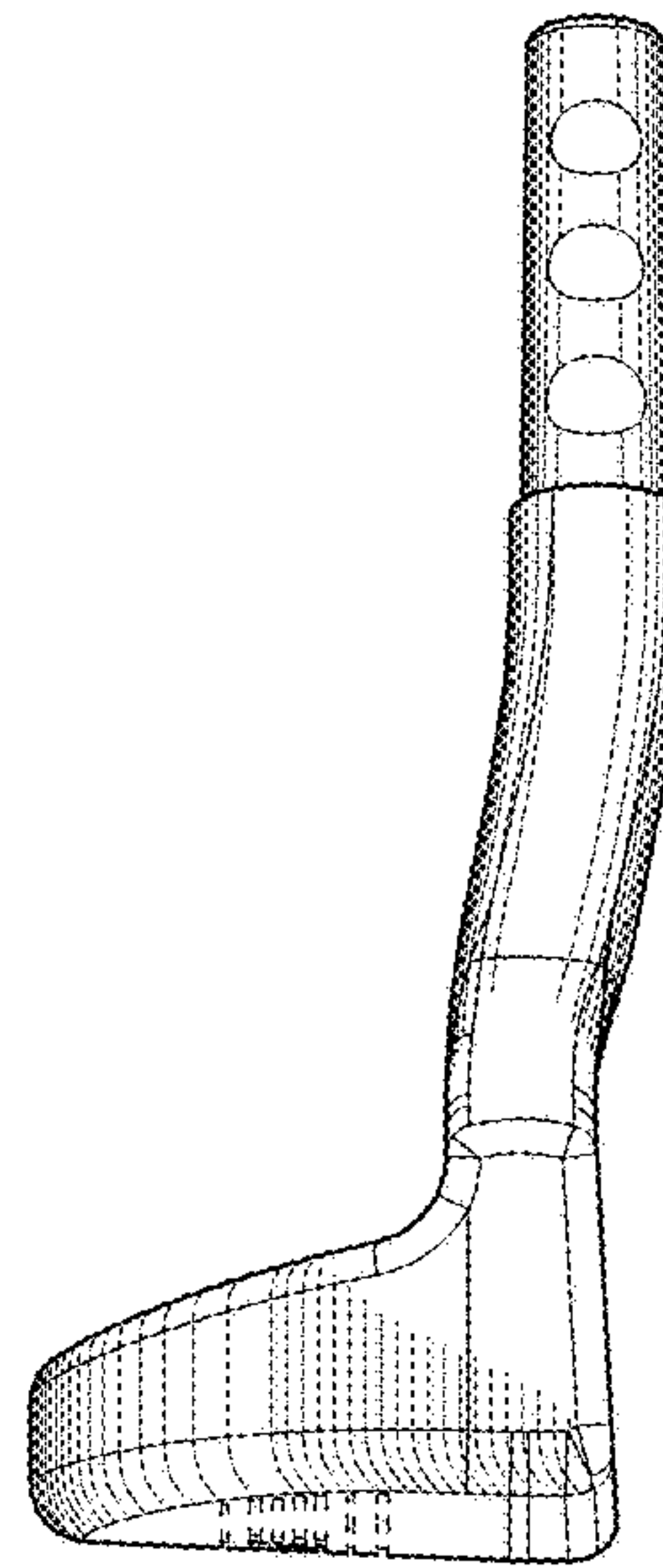


*Fig. 13*

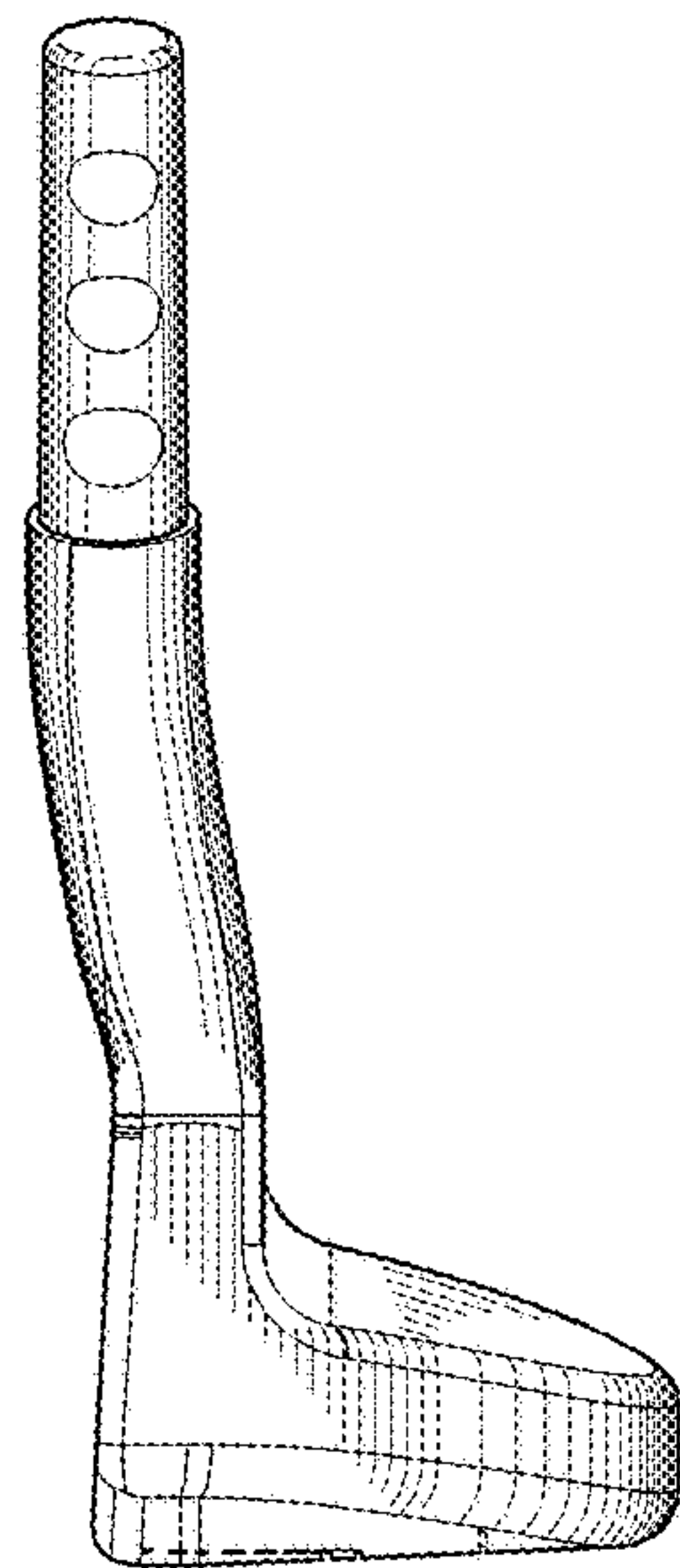


*Fig. 14*





*Fig. 15*



*Fig. 16*