



US00D796596S

(12) **United States Design Patent** (10) **Patent No.:** **US D796,596 S**  
**Setty** (45) **Date of Patent:** **\*\* Sep. 5, 2017**

(54) **TOSS AND LAUNCH TOY DEVICE**  
(71) Applicant: **Woodrow Setty**, Loveland, OH (US)  
(72) Inventor: **Woodrow Setty**, Loveland, OH (US)  
(\*\*) Term: **15 Years**  
(21) Appl. No.: **29/585,234**  
(22) Filed: **Nov. 22, 2016**  
(51) **LOC (10) Cl.** ..... **21-02**  
(52) **U.S. Cl.**  
USPC ..... **D21/722**  
(58) **Field of Classification Search**  
USPC ..... D21/722; D22/113  
CPC ..... A63B 69/40; A63B 69/407; A63B 69/409;  
A63B 69/408; A63B 65/12; A63B  
65/122; A63B 65/00  
See application file for complete search history.

6,343,597 B1 \* 2/2002 Spikes ..... F41B 3/03  
124/16  
6,718,961 B1 \* 4/2004 Woods ..... A63B 69/40  
124/7  
7,114,465 B1 \* 10/2006 Winter ..... A63B 65/12  
119/707  
D656,208 S \* 3/2012 Warner ..... D21/720  
2015/0137452 A1 5/2015 Dahl et al.

**OTHER PUBLICATIONS**

“Frog Launcher”, posted online at [www.pinterest.com/pin/50102614579887003](http://www.pinterest.com/pin/50102614579887003), downloaded by and available to inventor prior to Nov. 22, 2016, (3 pages).  
“Stomp and Catch”, posted online Oct. 2, 2012 by Jenae at [www.icanteachmychild.com/bean-bag-stomp-catch](http://www.icanteachmychild.com/bean-bag-stomp-catch), downloaded by and available to inventor prior to Nov. 22, 2016 (12 pages).

(Continued)

*Primary Examiner* — Mitchell Siegel  
(74) *Attorney, Agent, or Firm* — Hasse & Nesbit LLC;  
Daniel F. Nesbitt

(56) **References Cited**

**U.S. PATENT DOCUMENTS**

1,785,876 A \* 12/1930 Pilates ..... A63B 65/122  
124/29  
3,605,715 A \* 9/1971 Welbourn ..... F41B 3/03  
124/36  
3,794,325 A \* 2/1974 Stender ..... A63F 9/02  
124/36  
3,926,170 A \* 12/1975 Dixon ..... A63B 69/408  
124/41.1  
3,951,125 A \* 4/1976 Dixon ..... A63B 69/408  
124/36  
D266,784 S \* 11/1982 Sexton ..... D22/113  
4,906,001 A \* 3/1990 Vaughn ..... A63B 69/0075  
124/36  
5,123,643 A \* 6/1992 Heilhecker ..... A63B 69/407  
124/21

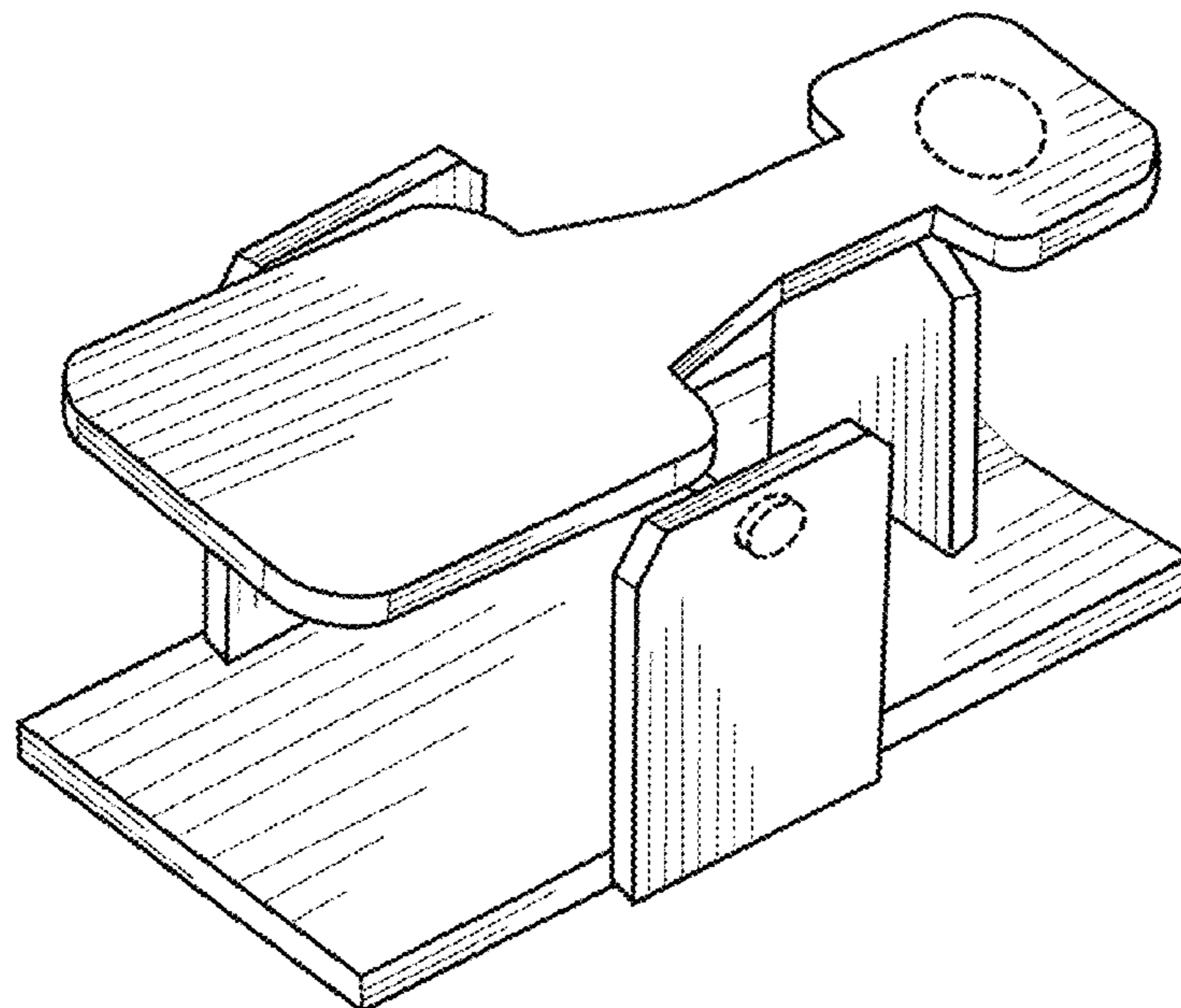
(57) **CLAIM**

I claim the ornamental design for a toss and launch toy device, as shown and described.

**DESCRIPTION**

FIG. 1 is a perspective view of a toss and launch toy device; FIG. 2 is a right side view of the toss and launch toy device, with the left side view being a mirror image thereof; FIG. 3 is a top view of the toss and launch toy device; FIG. 4 is a bottom view of the toss and launch toy device; FIG. 5 is a front view of the toss and launch toy device; and, FIG. 6 is a rear view of the toss and launch toy device. The broken lines shown in the drawings are for illustrative purposes only and form no part of the claimed design.

**1 Claim, 6 Drawing Sheets**



(56)

**References Cited**

OTHER PUBLICATIONS

“Bean Bag Launching Board”, posted online by The Therapy Store at [www.thetherapystore.com.au/product/bean-bag-launching-board](http://www.thetherapystore.com.au/product/bean-bag-launching-board), downloaded by and available to inventor prior to Nov. 22, 2016 (2 pages).

\* cited by examiner

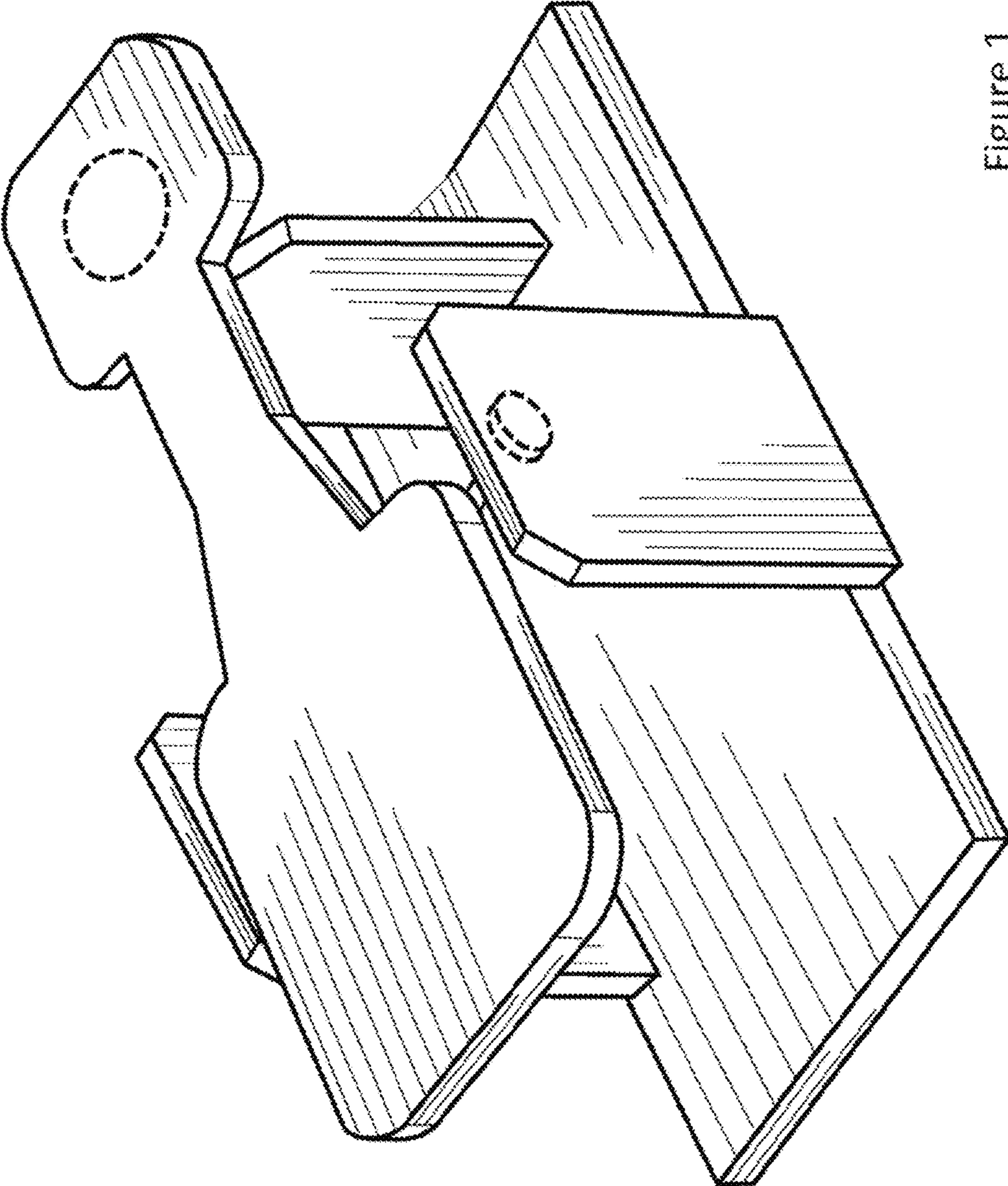


Figure 1

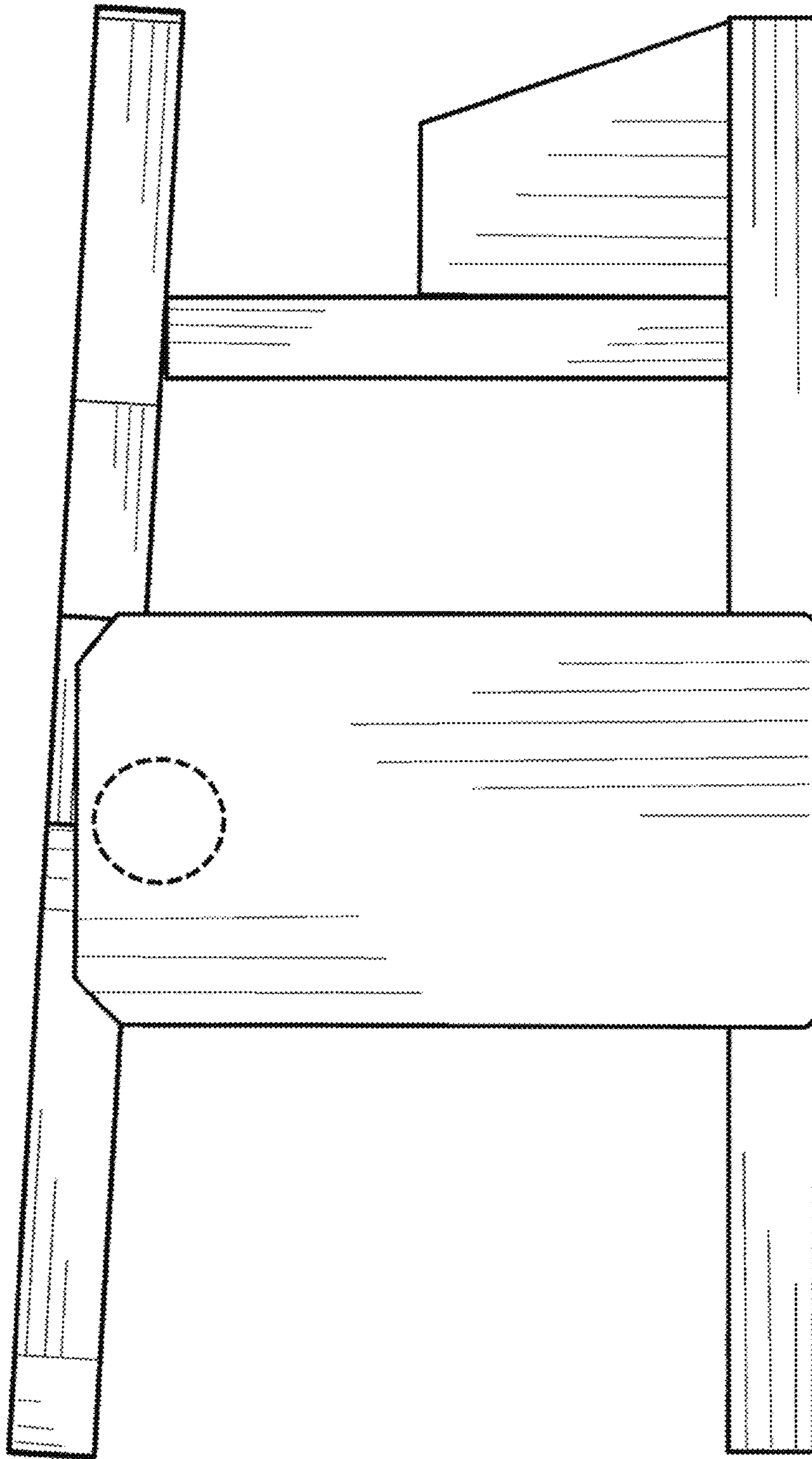


Figure 2

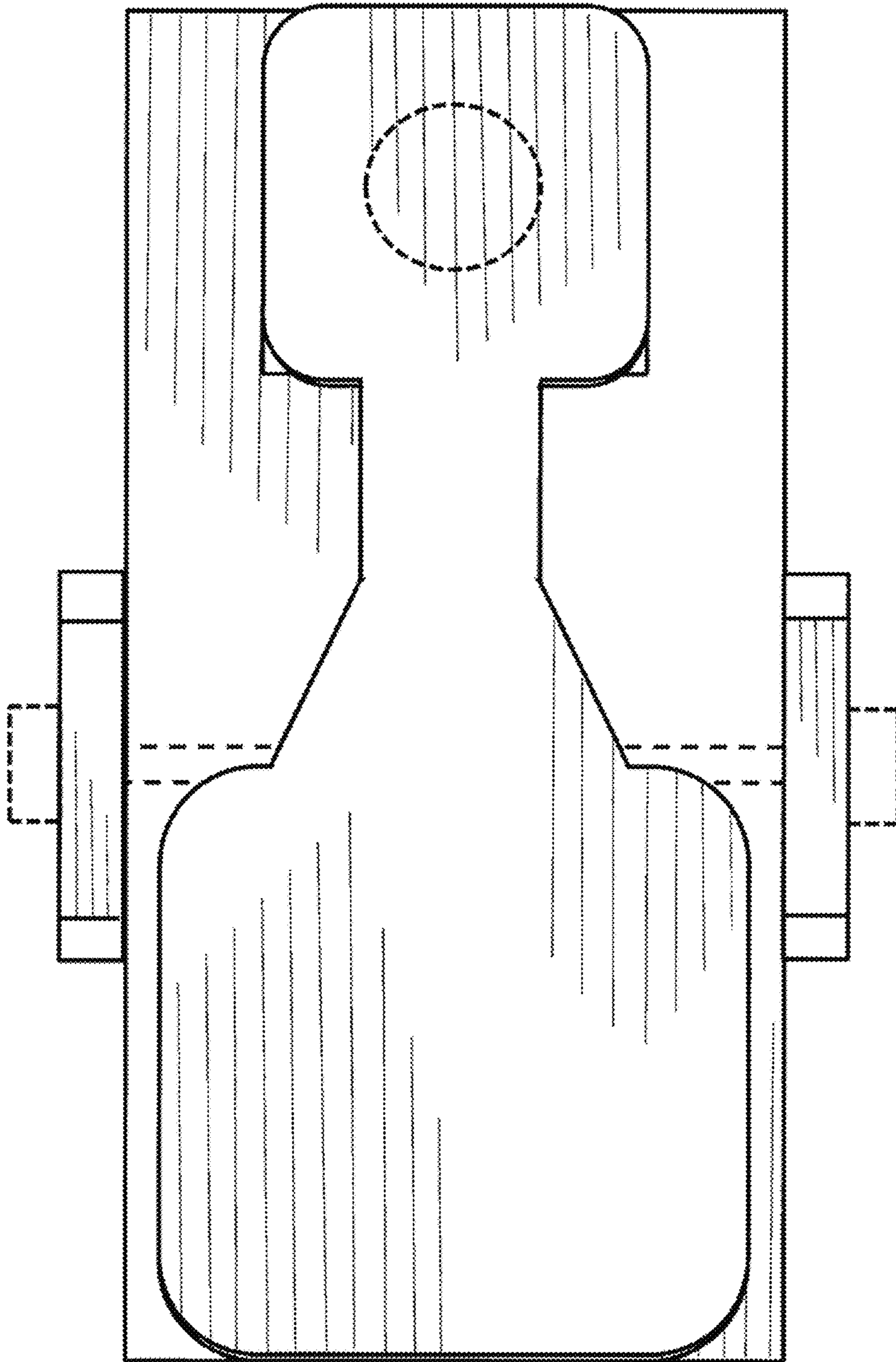


Figure 3

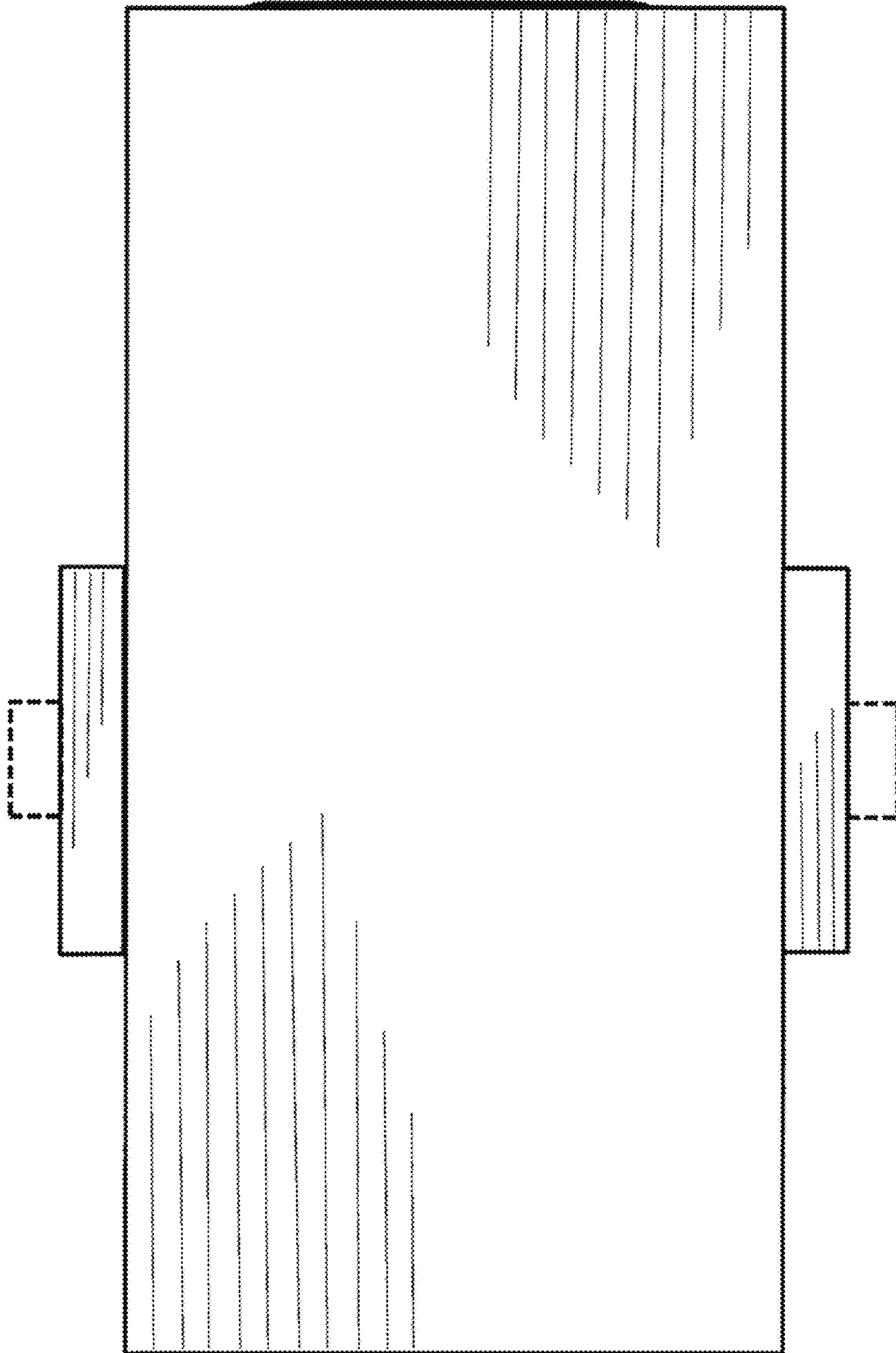


Figure 4

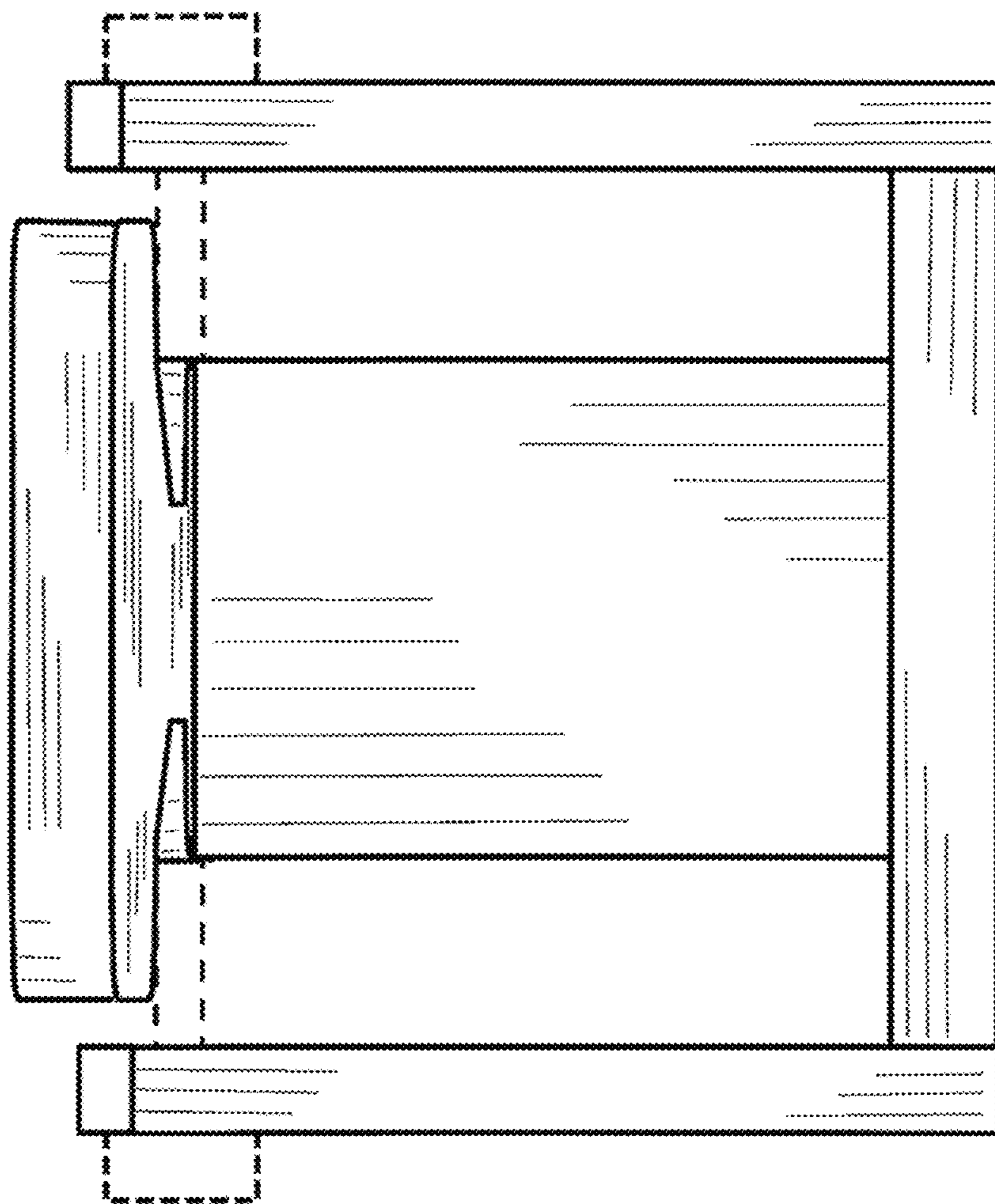


Figure 5

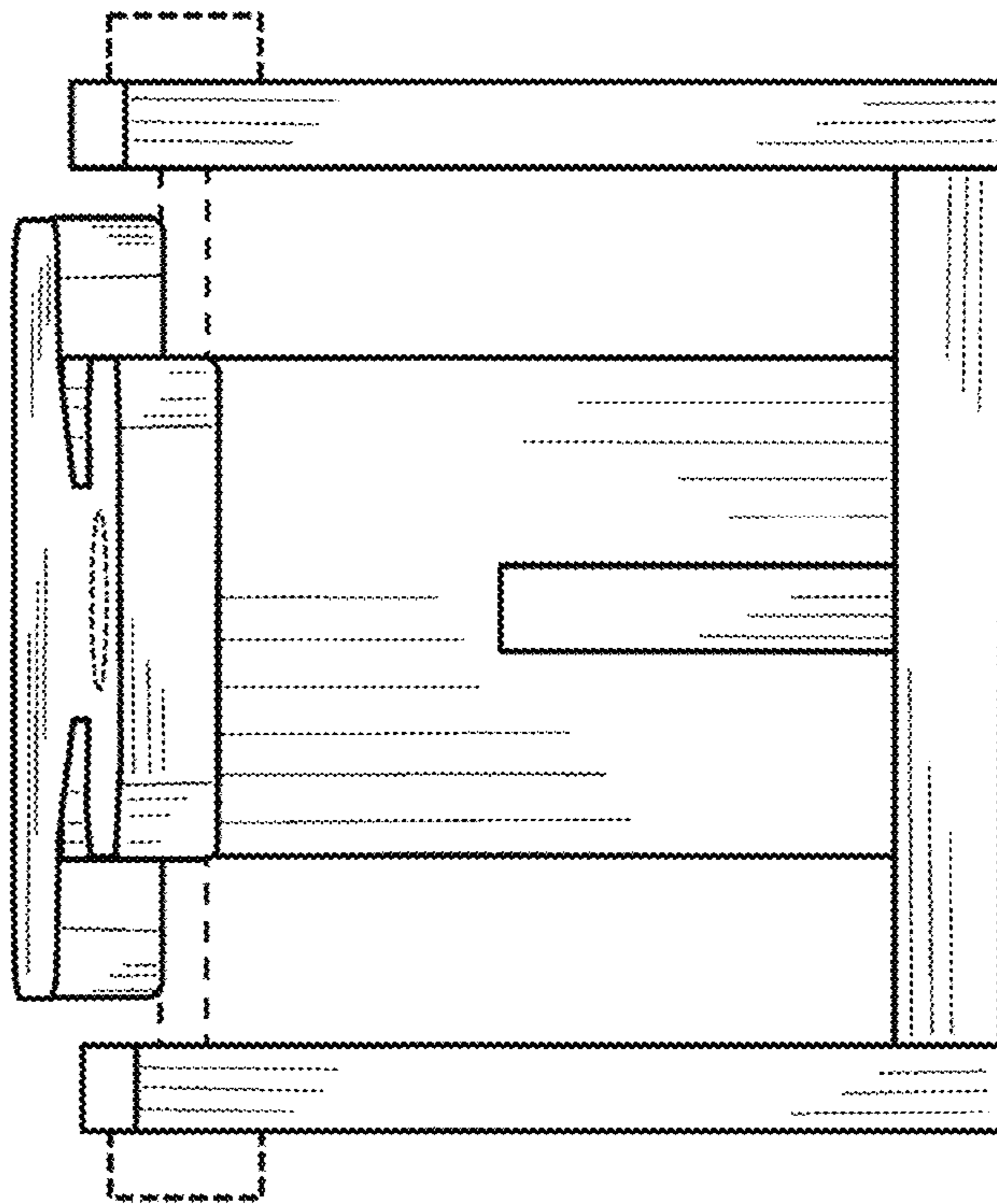


Figure 6