



US00D796593S

(12) **United States Design Patent** (10) **Patent No.:** **US D796,593 S**  
**Ho et al.** (45) **Date of Patent:** **\*\* Sep. 5, 2017**

(54) **ABDOMEN EXERCISE MACHINE**

(71) Applicants: **Wei-Teh Ho**, Taipei (TW); **Willy Wei Yu Ho**, Taipei (TW)

(72) Inventors: **Wei-Teh Ho**, Taipei (TW); **Willy Wei Yu Ho**, Taipei (TW)

(\*\*) Term: **15 Years**

(21) Appl. No.: **29/568,106**

(22) Filed: **Jun. 15, 2016**

(51) **LOC (10) Cl.** ..... **21-02**

(52) **U.S. Cl.**  
 USPC ..... **D21/688**

(58) **Field of Classification Search**  
 USPC ..... 482/142, 122, 115, 108, 145, 140, 105, 482/111, 123, 121, 126, 144, 143, 148, 482/106, 130, 129, 132, 96, 131, 133, 482/124, 110, 127, 72, 147, 51, 71, 139, 482/97, 92, 137, 98, 1, 907, 908, 95, 112, 482/141, 146, 109; D21/687, 662, 690, D21/676, 423, 691, 686, 688, 681  
 CPC ..... A63B 23/0211; A63B 21/0552; A63B 2208/0233; A63B 21/4035; A63B 21/4047; A63B 23/0233; A63B 21/068; A63B 2208/0247  
 See application file for complete search history.

(56) **References Cited**

U.S. PATENT DOCUMENTS

4,834,364 A \* 5/1989 Gongwer ..... A63B 23/00 482/131

4,925,185 A \* 5/1990 Gongwer ..... A63B 23/0405 482/131

D565,134 S \* 3/2008 Brown ..... D21/687

D584,367 S \* 1/2009 Augustine ..... D21/662

7,662,076 B1 \* 2/2010 Ho ..... A63B 21/068 482/130

D631,519 S \* 1/2011 Chen ..... D21/689

7,878,957 B1 \* 2/2011 Chen ..... A63B 22/0046 482/131

D659,777 S \* 5/2012 Watterson ..... D21/689

D660,383 S \* 5/2012 Watterson ..... D21/689

D671,177 S \* 11/2012 Sip ..... D21/689

D671,178 S \* 11/2012 Sip ..... D21/689

D702,299 S \* 4/2014 Ho ..... D21/686

D705,367 S \* 5/2014 Ho ..... D21/687

8,721,510 B2 \* 5/2014 Chung-Ting ..... A63B 21/015 482/132

D709,969 S \* 7/2014 Ho ..... D21/668

8,870,726 B2 \* 10/2014 Watterson ..... A63B 22/14 482/132

D727,442 S \* 4/2015 Ho ..... D21/687

D729,887 S \* 5/2015 Zeng ..... D21/686

D745,615 S \* 12/2015 Ho ..... D21/686

2006/0194681 A1 \* 8/2006 Ho ..... A63B 21/055 482/132

(Continued)

*Primary Examiner* — Robert M Spear  
*Assistant Examiner* — Ryan Harvey  
 (74) *Attorney, Agent, or Firm* — Blakely, Sokoloff, Taylor & Zafman LLP

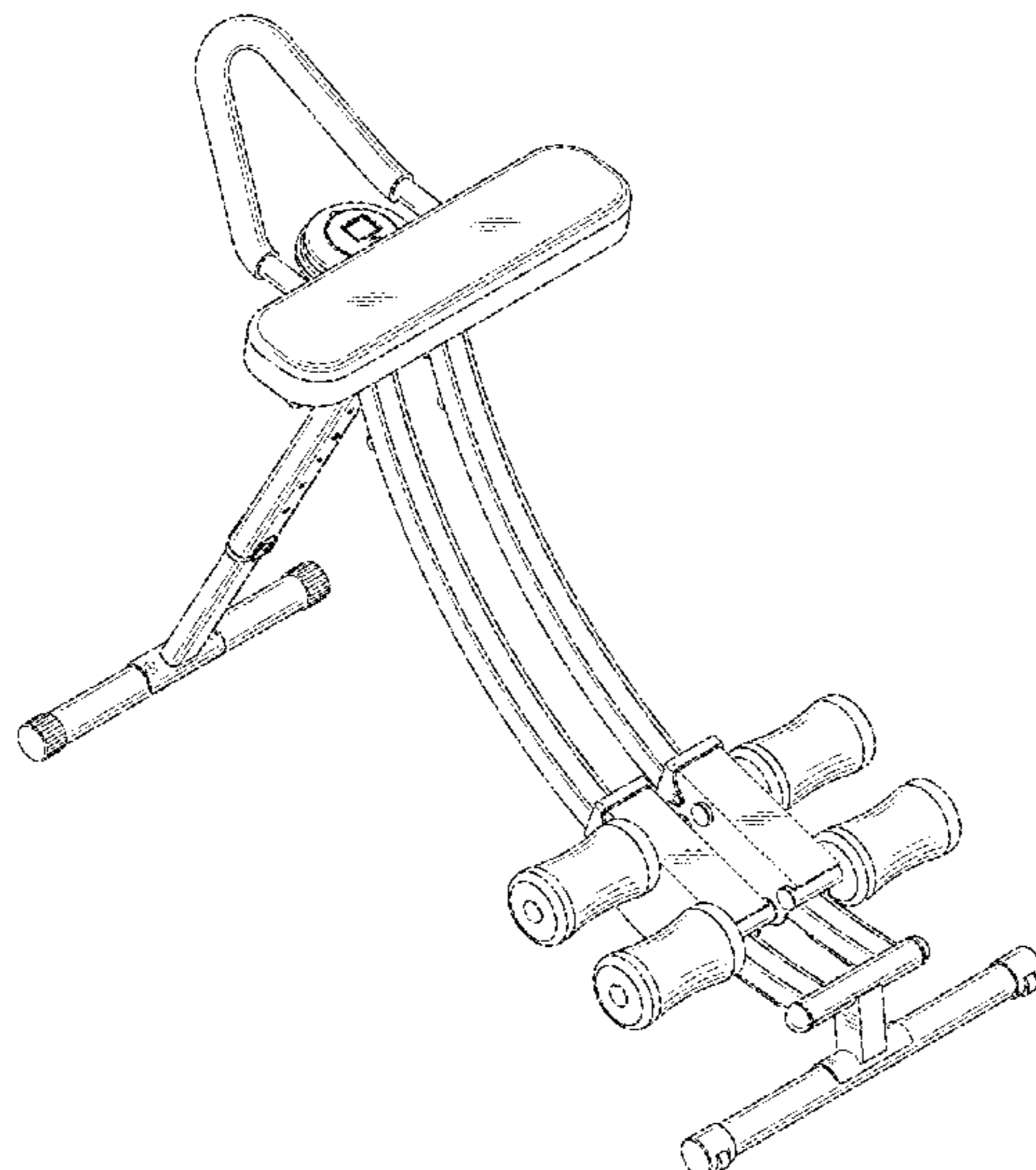
(57) **CLAIM**

The ornamental design for an abdomen exercise machine, as shown and described.

**DESCRIPTION**

FIG. 1 is a perspective view showing the new design for an abdomen exercise machine.  
 FIG. 2 is a front view thereof;  
 FIG. 3 is a rear view thereof;  
 FIG. 4 is a right view thereof;  
 FIG. 5 is a left view thereof;  
 FIG. 6 is a top view thereof; and,  
 FIG. 7 is a bottom view thereof.  
 The broken line showing of portions of the abdomen exercise machine depicts environment and forms no part of the claim.

**1 Claim, 7 Drawing Sheets**



(56)

**References Cited**

U.S. PATENT DOCUMENTS

2012/0115694	A1 *	5/2012	Chen .....	A63B 22/205 482/142
2012/0225759	A1 *	9/2012	Tsai .....	A63B 21/0726 482/131
2013/0123083	A1 *	5/2013	Sip .....	A63B 23/0222 482/145
2013/0130875	A1 *	5/2013	Chou .....	A63B 21/068 482/139
2014/0005006	A1 *	1/2014	Ho .....	A63B 23/0216 482/96
2014/0005007	A1 *	1/2014	Ho .....	A63B 21/00 482/96
2014/0005008	A1 *	1/2014	Ho .....	A63B 22/205 482/96
2014/0066275	A1 *	3/2014	Miller, Jr. ....	A63B 21/068 482/142
2014/0100088	A1 *	4/2014	Ho .....	A63B 23/0227 482/131
2014/0100091	A1 *	4/2014	Ho .....	A63B 21/068 482/142

\* cited by examiner

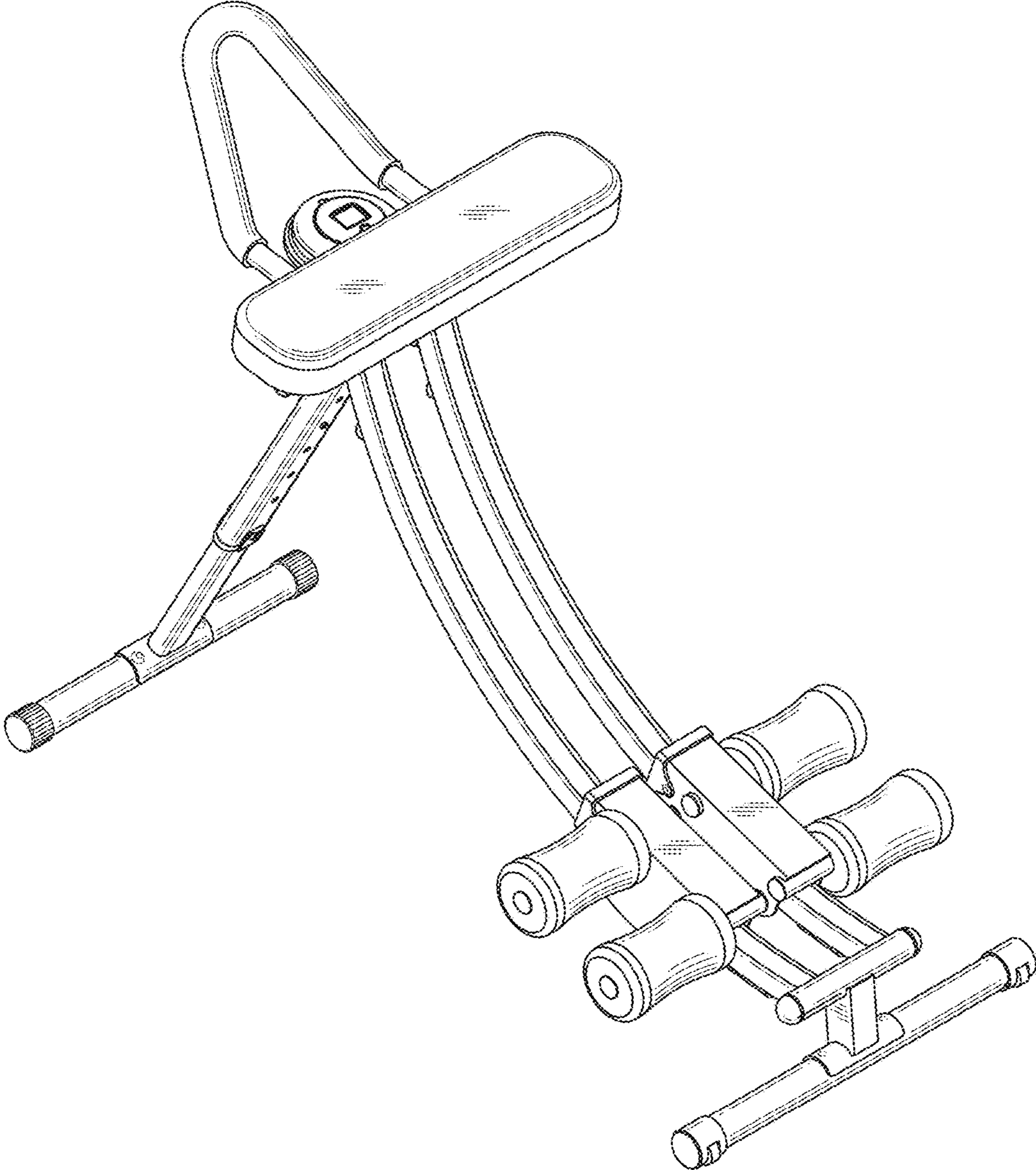


FIG. 1

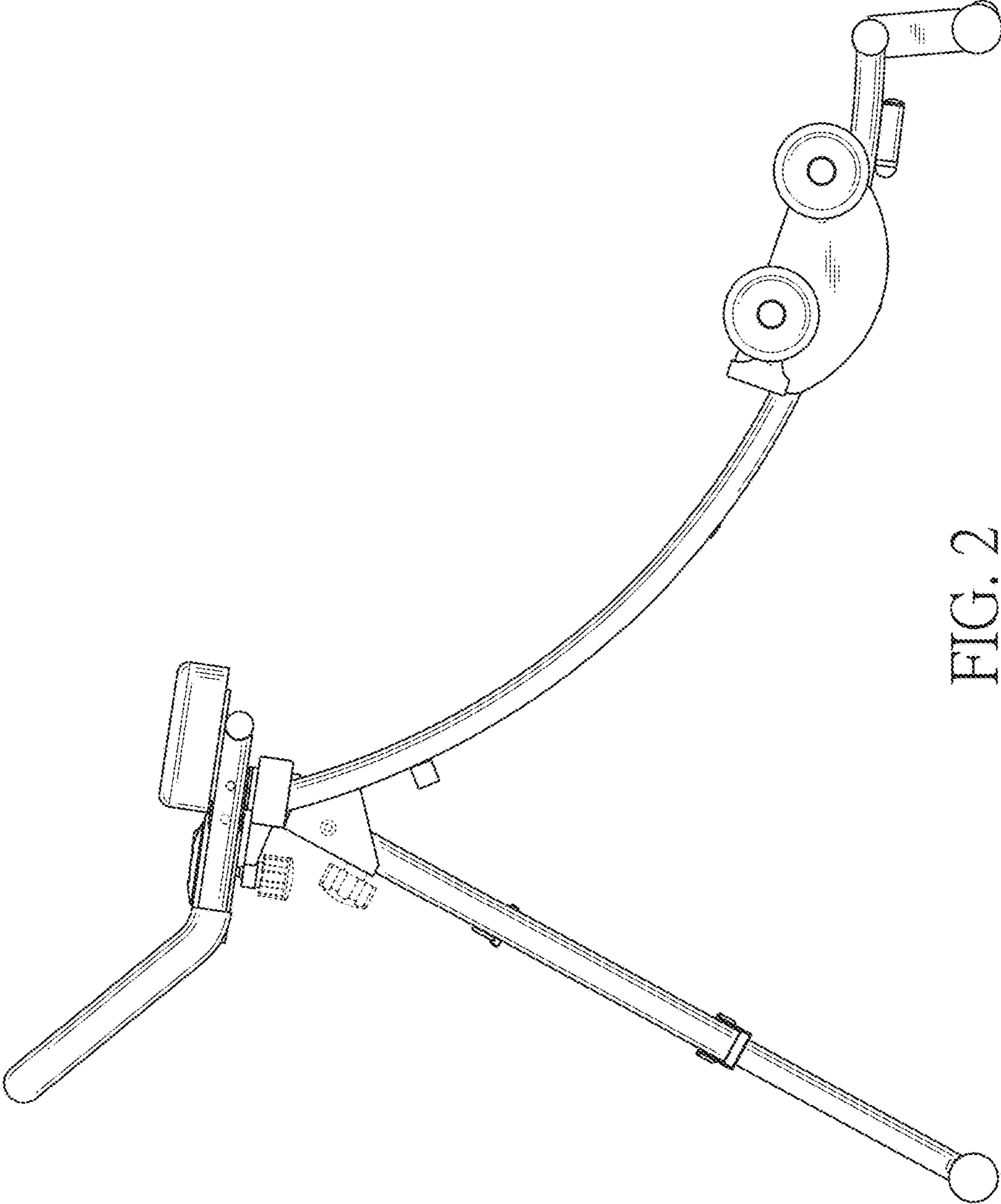


FIG. 2



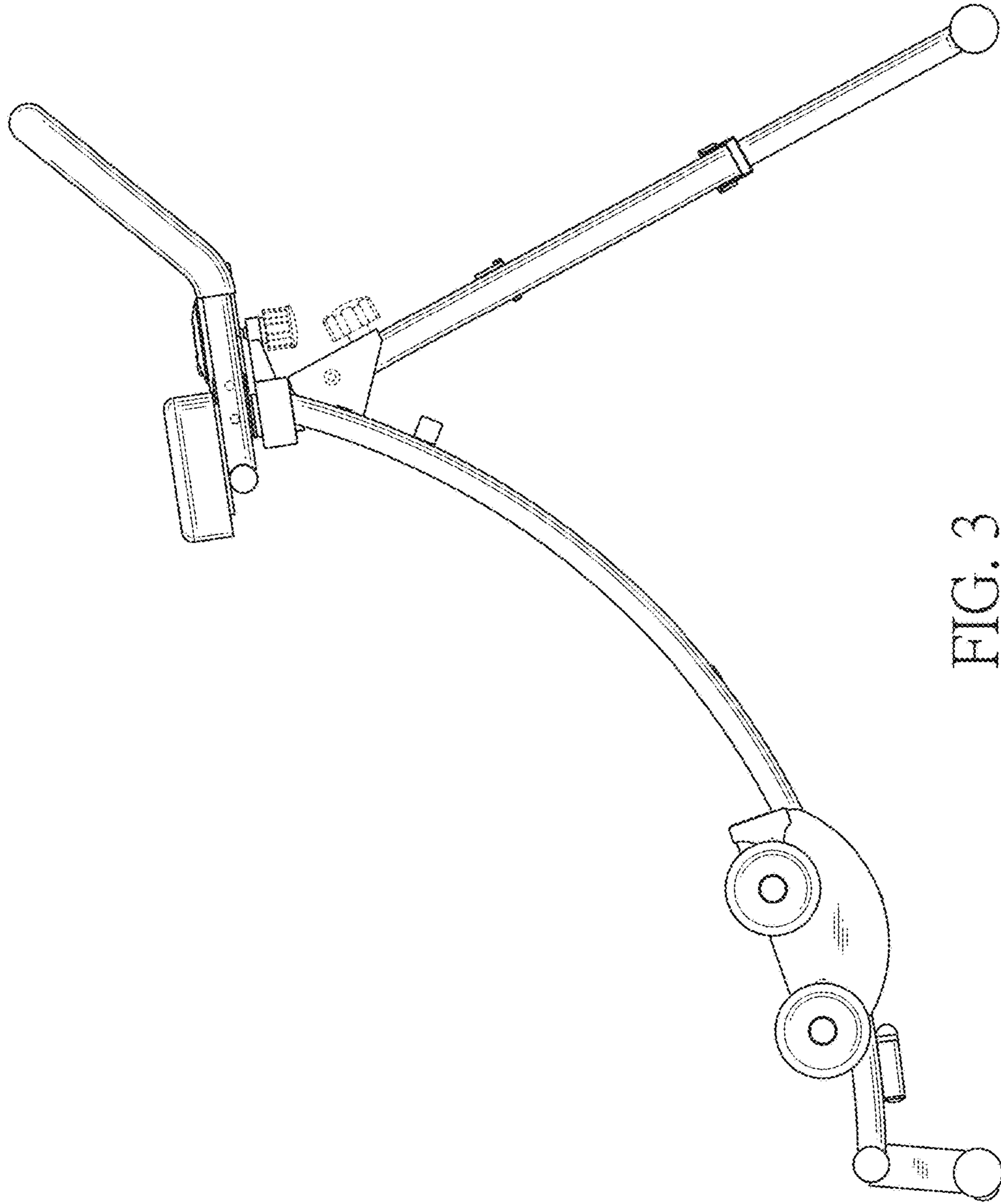


FIG. 3

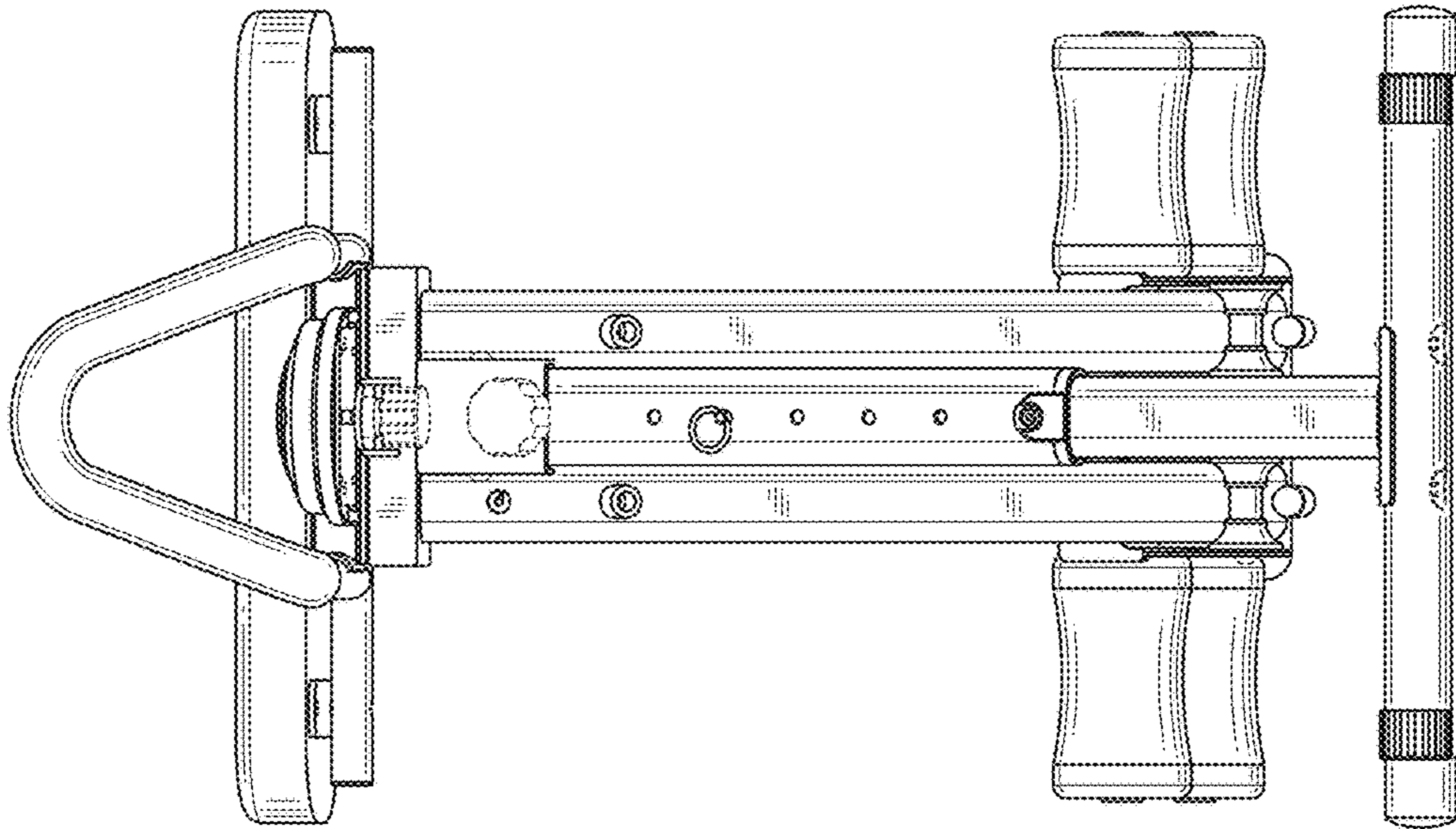


FIG. 4

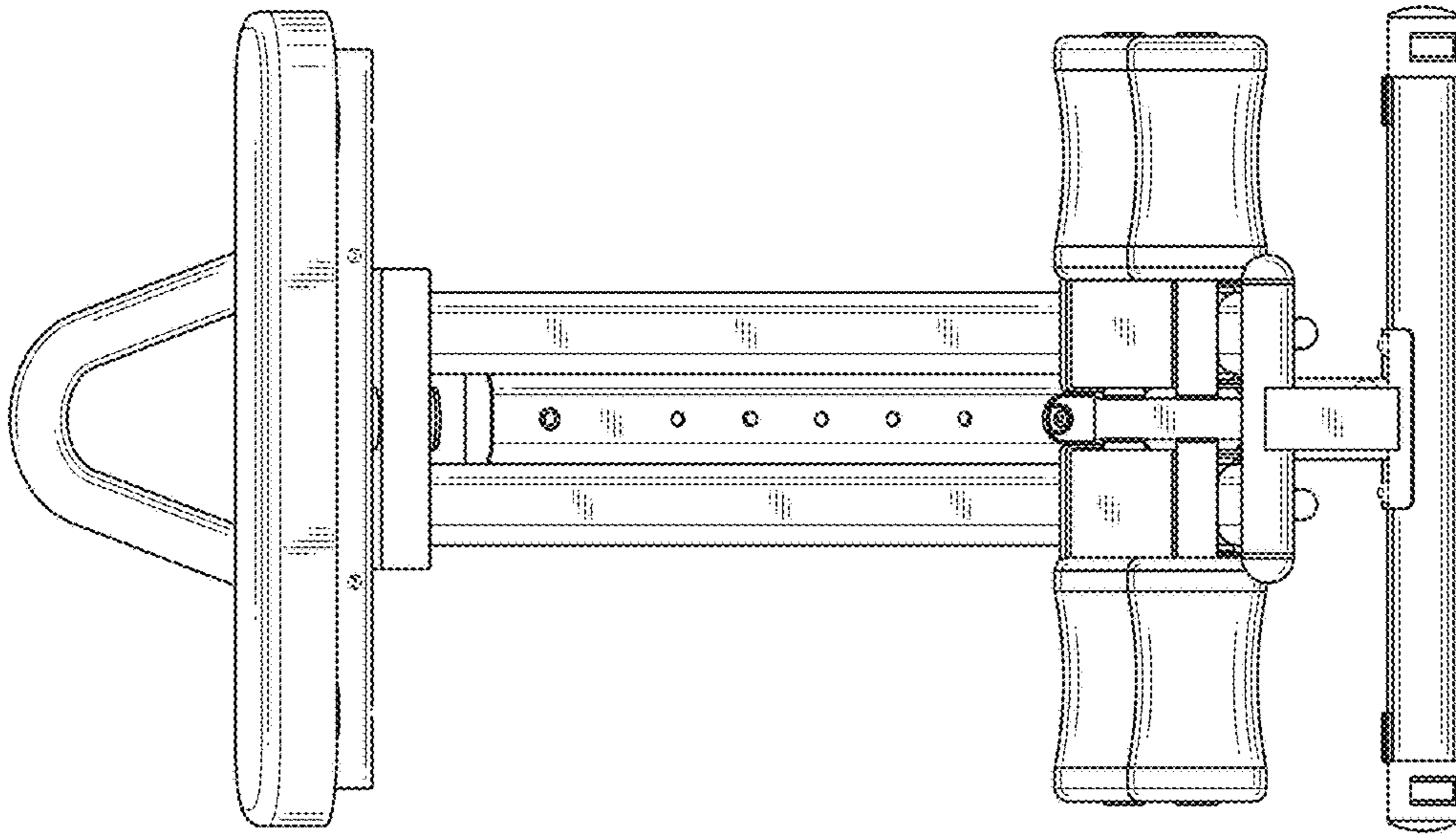


FIG. 5

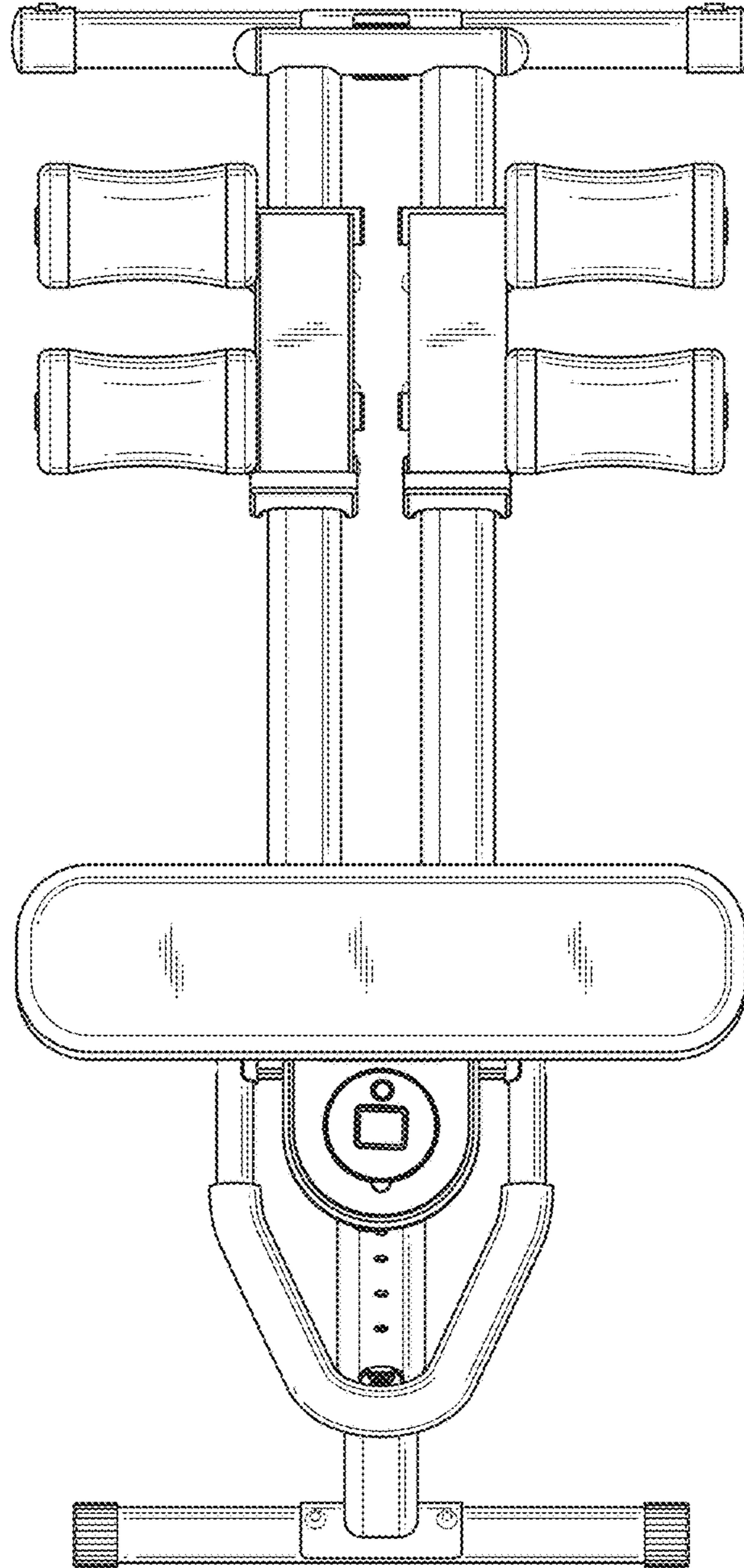


FIG. 6



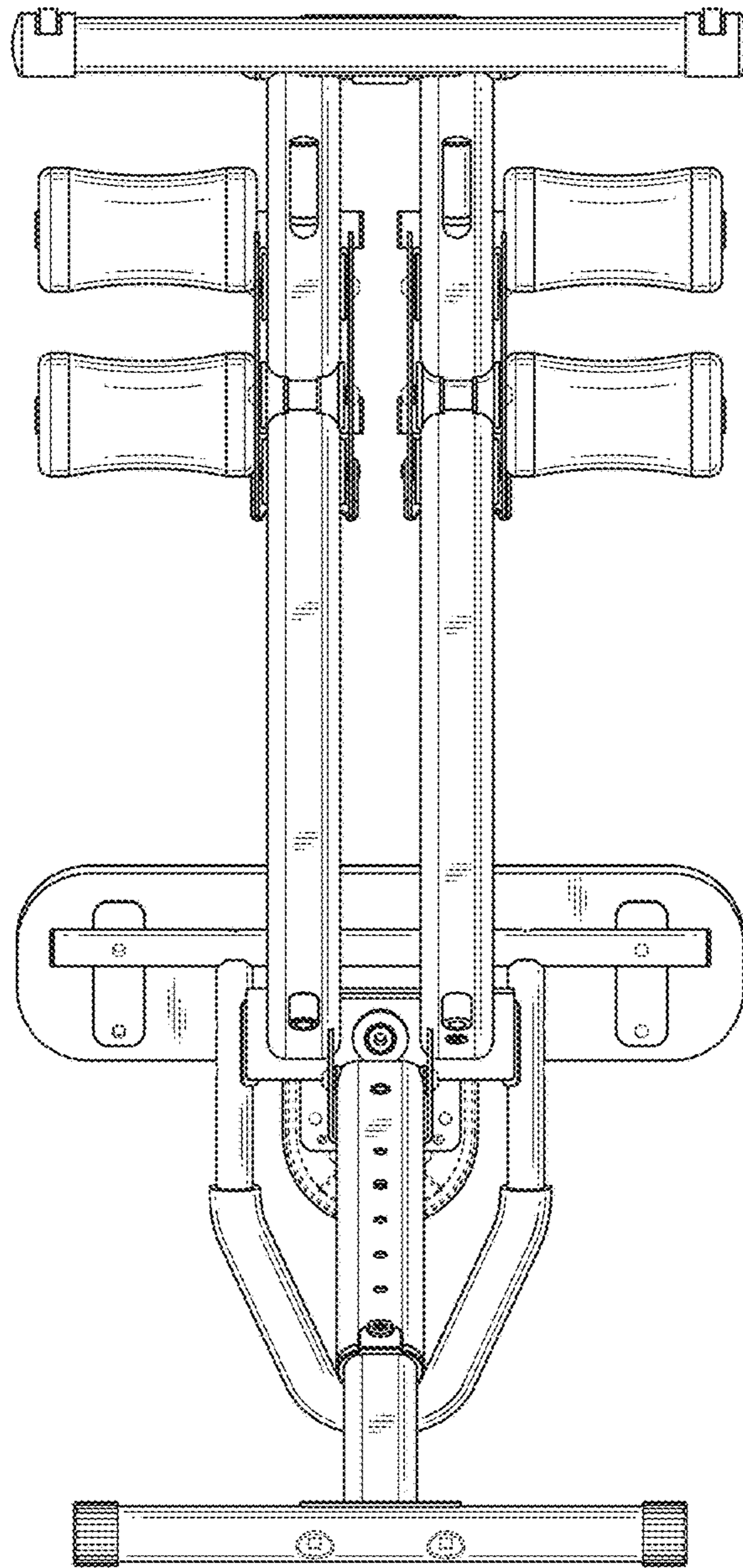


FIG. 7