



US00D796592S

(12) **United States Design Patent** (10) **Patent No.:** **US D796,592 S**
Towley (45) **Date of Patent:** **** Sep. 5, 2017**

(54) **KETTLEBELL**
(71) Applicant: **Mattson K. Towley**, Owatonna, MN (US)
(72) Inventor: **Mattson K. Towley**, Owatonna, MN (US)
(73) Assignee: **PowerBlock Holdings, Inc.**, Owatonna, MN (US)
(**) Term: **15 Years**
(21) Appl. No.: **29/554,313**
(22) Filed: **Feb. 10, 2016**
(51) **LOC (10) Cl.** **21-02**
(52) **U.S. Cl.**
USPC **D21/682**
(58) **Field of Classification Search**
USPC D21/680, 682, 681, 678, 662, 679, 684, D21/686, 801, 694, 691, 692; 173/102, 173/103, 118, 126, 133; 482/108, 93, 482/110, 111, 105, 8, 107, 106, 139, 94, 482/104, 140, 109, 51, 70, 74, 98, 1, 121, 482/55, 141, 124, 128; D9/680, 629, D9/456, 668; D8/85, 45, 107, 90, 317, D8/387, 397, 343, 31, 75, 14; D11/81, D11/91, 56, 80, 7, 52, 14, 201; D12/215
CPC A63B 21/075; A63B 21/0728; A63B 21/00065; A63B 21/0726; A63B 23/1236; A63B 21/4035; A63B 21/072; A63B 21/00047; A63B 21/068
See application file for complete search history.

(56) **References Cited**

U.S. PATENT DOCUMENTS

5,072,933 A * 12/1991 Diodati A63B 21/072 482/93
D571,418 S * 6/2008 Gormley D21/680
7,491,157 B1 2/2009 Lin

7,563,208 B1 7/2009 Chen
D616,949 S * 6/2010 Wang D21/682
D628,251 S * 11/2010 Krull D21/681
7,981,013 B2 7/2011 Krull
D644,701 S * 9/2011 Towley, III D21/681
8,021,282 B2 9/2011 Polevoy et al.
D664,613 S * 7/2012 Dalebout D21/682
D683,803 S * 6/2013 Childs D21/681
D692,509 S * 10/2013 Kessler D21/682
D715,177 S * 10/2014 Vaughan D11/81
D726,264 S * 4/2015 Agate D21/682
D728,040 S * 4/2015 Peterson D21/680
9,022,906 B1 * 5/2015 Nelson A63B 21/075 482/106
2007/0087914 A1 * 4/2007 Connelly A63B 21/072 482/93
2007/0135274 A1 * 6/2007 Blateri A63B 21/075 482/109

(Continued)

OTHER PUBLICATIONS

Powerblock Adjustable Kettlebell by Ironcompany dated no date given. Found online [Jun. 28, 2017] <http://www.ironcompany.com/powerblock-adjustable-kettlebell-quick-change.aspx>.*

Primary Examiner — Robert M Spear
Assistant Examiner — Ryan Harvey
(74) *Attorney, Agent, or Firm* — James W. Miller

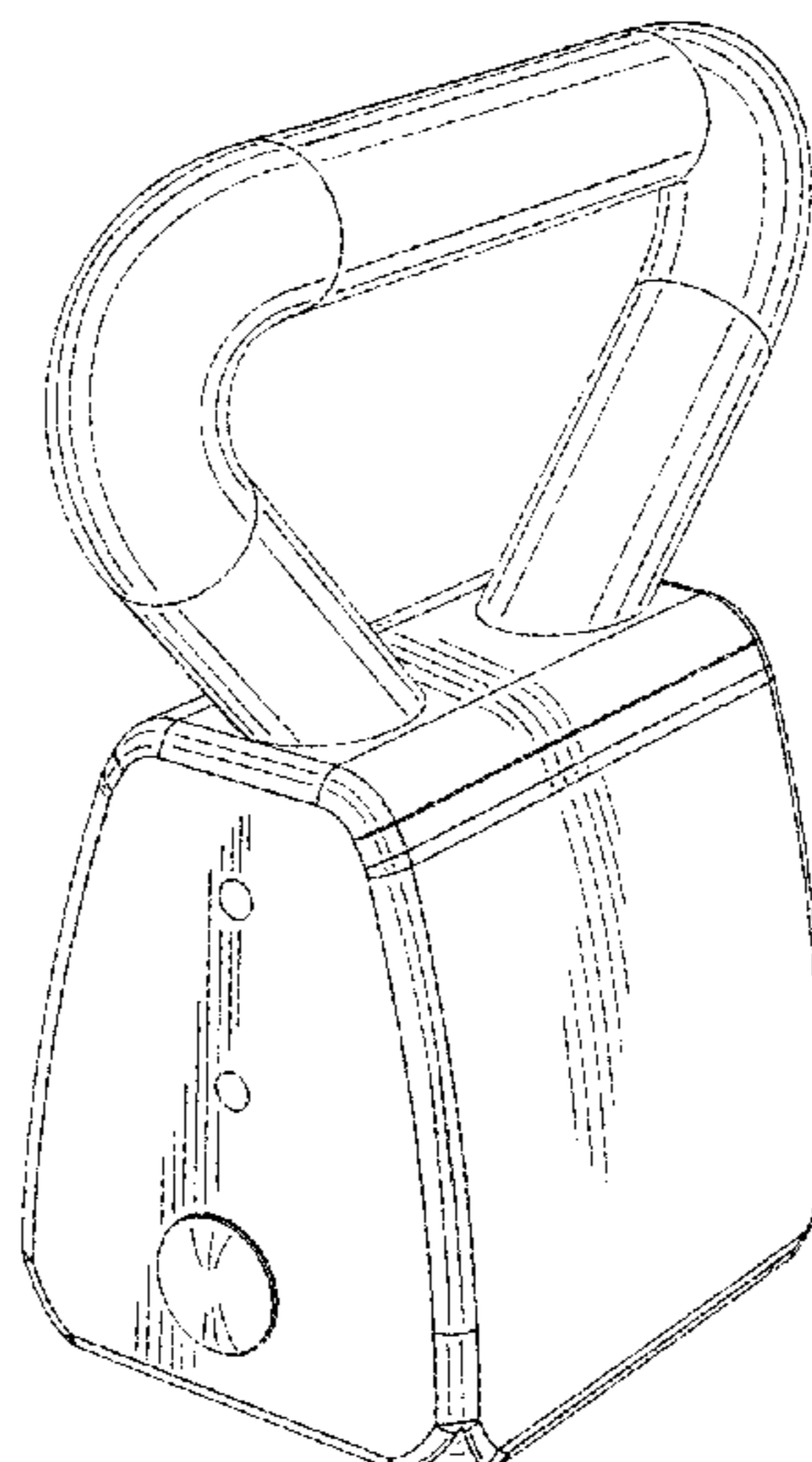
(57) **CLAIM**

The ornamental design for a kettlebell, as shown and described.

DESCRIPTION

FIG. 1 is a perspective view of a kettlebell showing my new design;
FIG. 2 is a left elevational view thereof;
FIG. 3 is a right elevational view thereof;
FIG. 4 is a front elevational view thereof;
FIG. 5 is a back elevational view thereof; and,
FIG. 6 is a top plan view thereof.

1 Claim, 6 Drawing Sheets



(56)

References Cited

U.S. PATENT DOCUMENTS

2011/0028285 A1* 2/2011 Towley, III A63B 21/0728
482/108
2011/0275494 A1* 11/2011 Radi A63B 21/0602
482/93
2011/0306475 A1 12/2011 Caswell et al.
2012/0322631 A1* 12/2012 Januszek A63B 21/072
482/108
2013/0040789 A1 2/2013 Kessler
2013/0210589 A1* 8/2013 Thompson A63B 21/0726
482/108
2015/0105224 A1* 4/2015 Odneal A63B 21/0726
482/107
2015/0196792 A1* 7/2015 Towley A63B 21/075
482/93

* cited by examiner

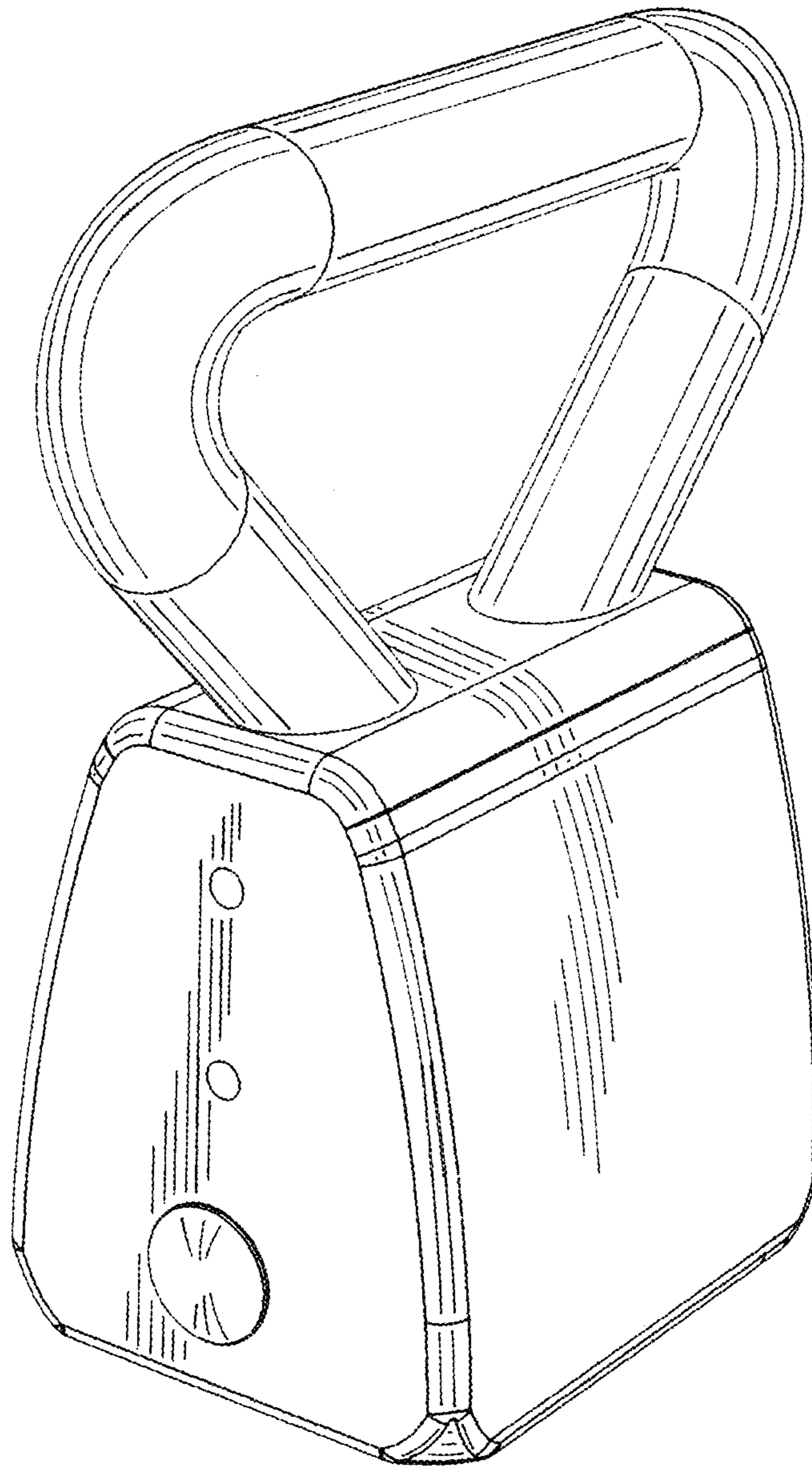


FIG. 1

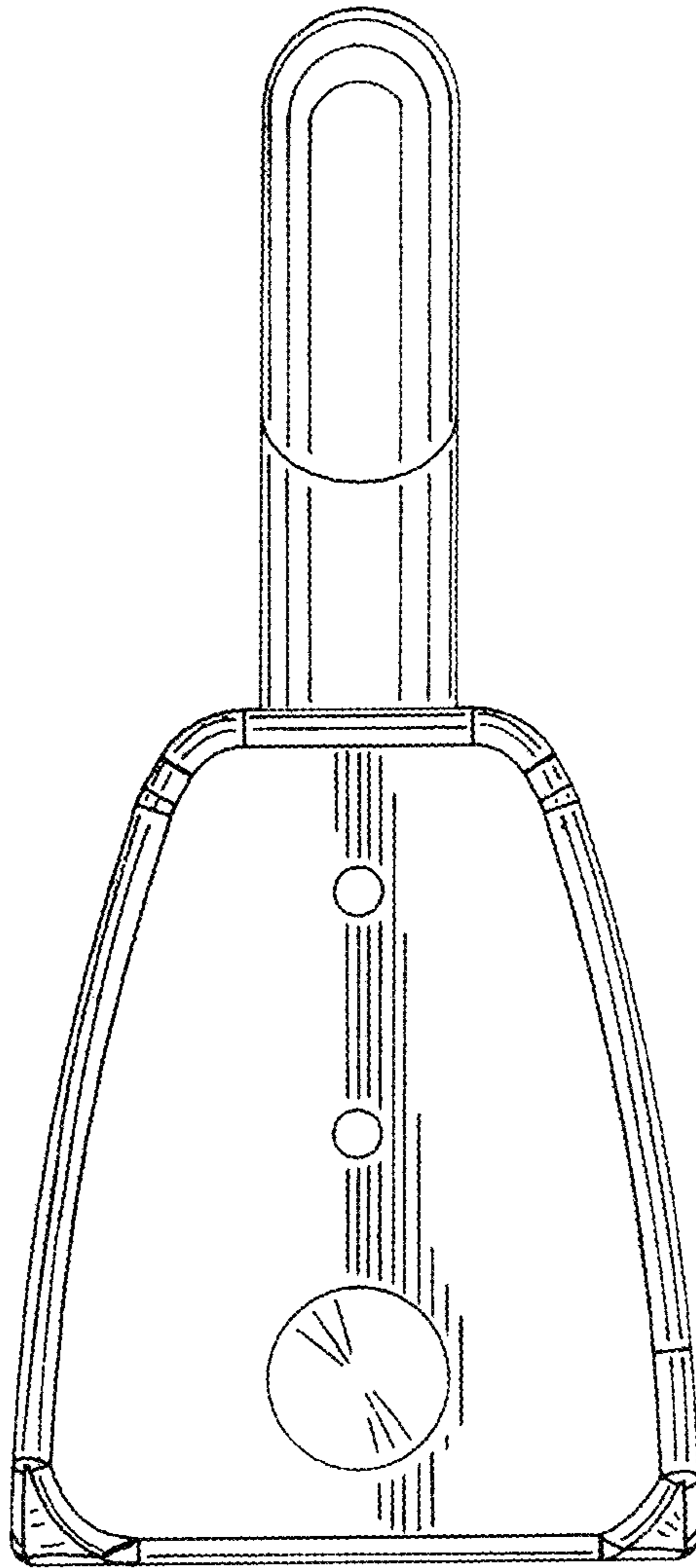


FIG. 2

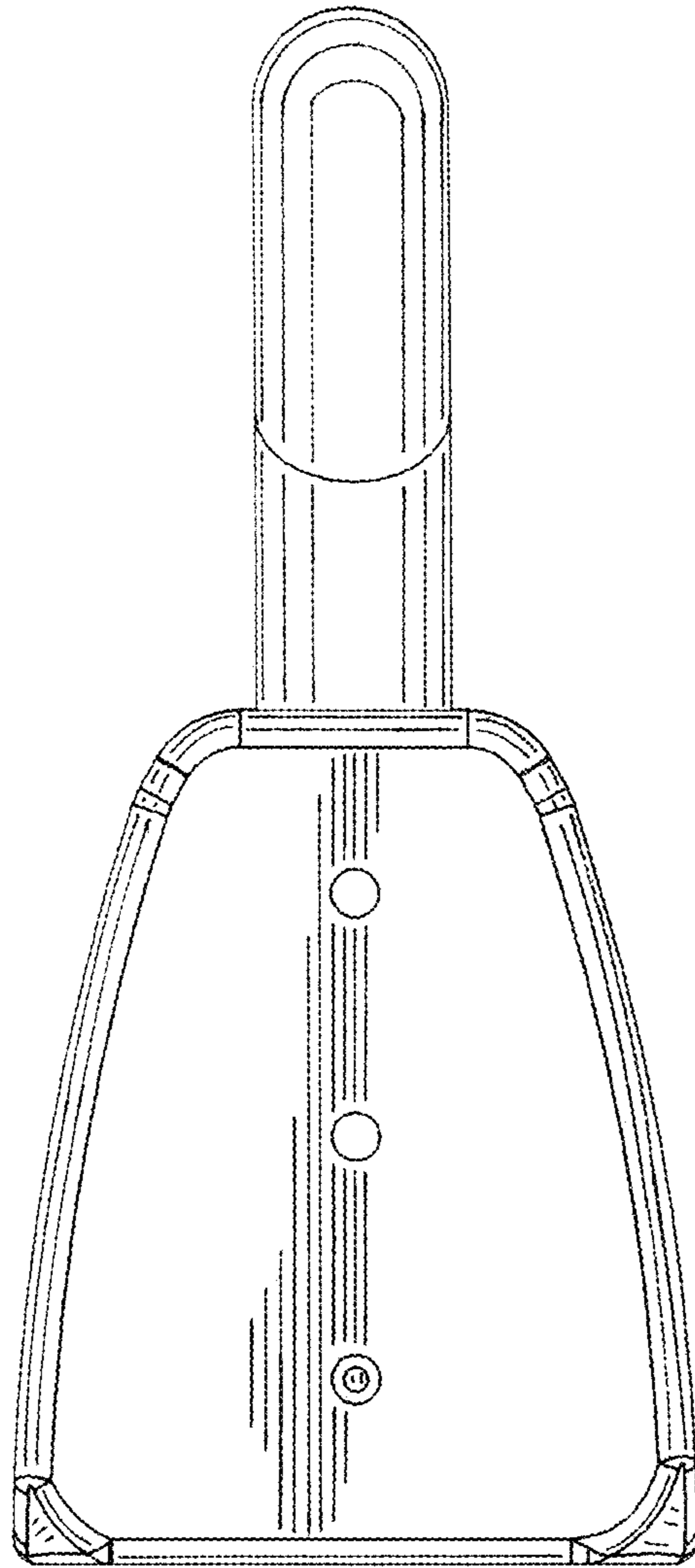


FIG. 3

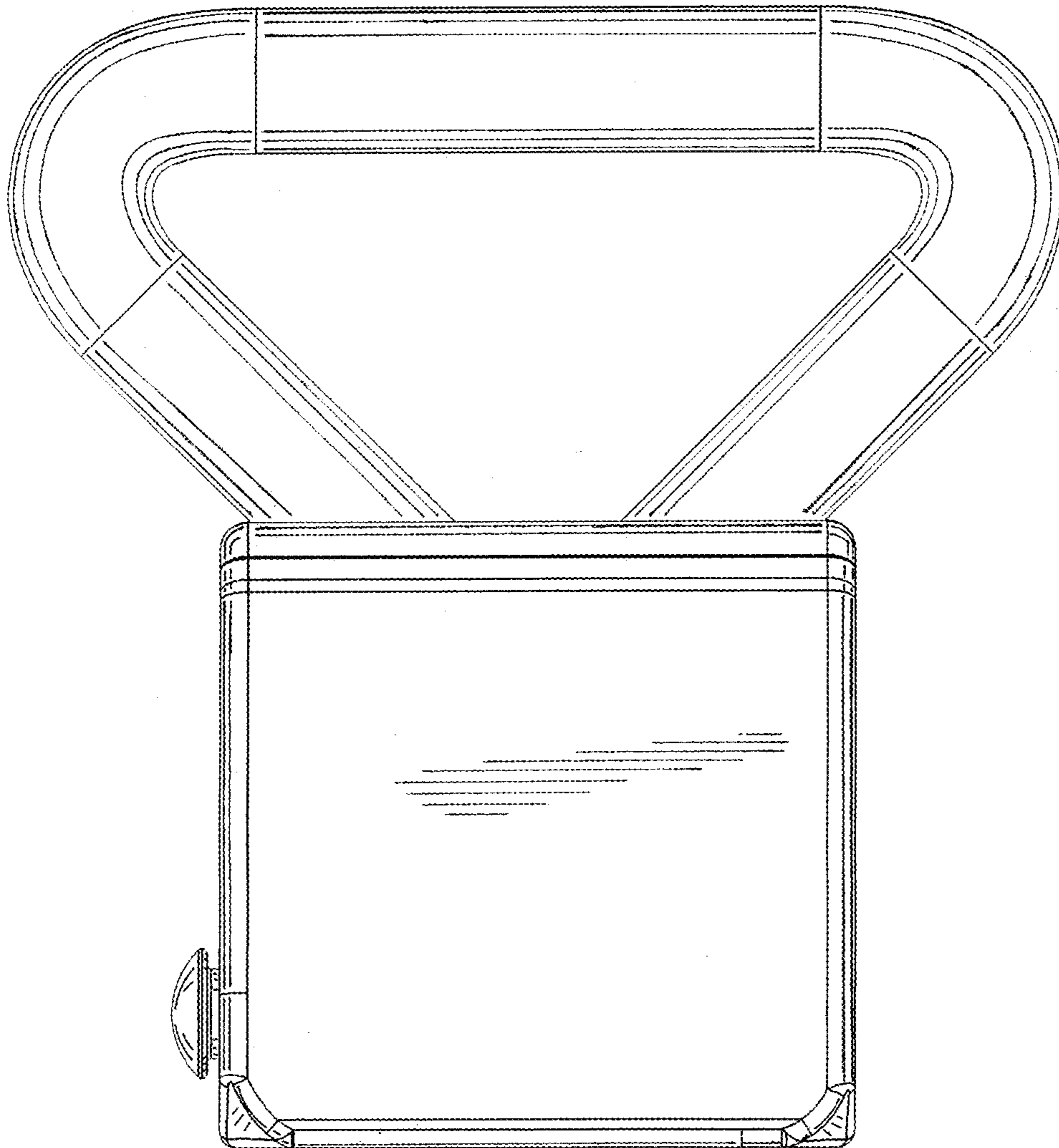


FIG. 4

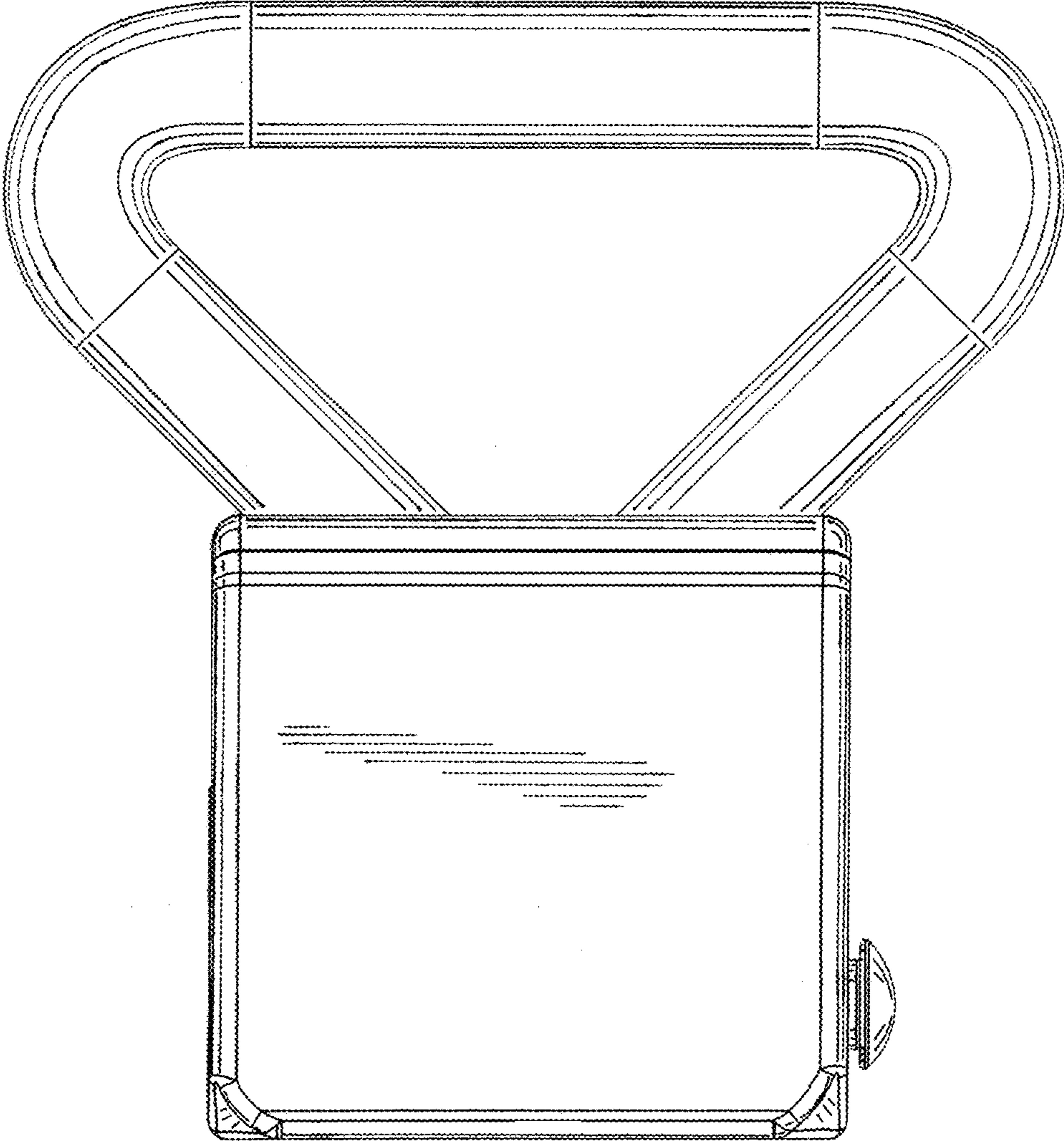


FIG. 5

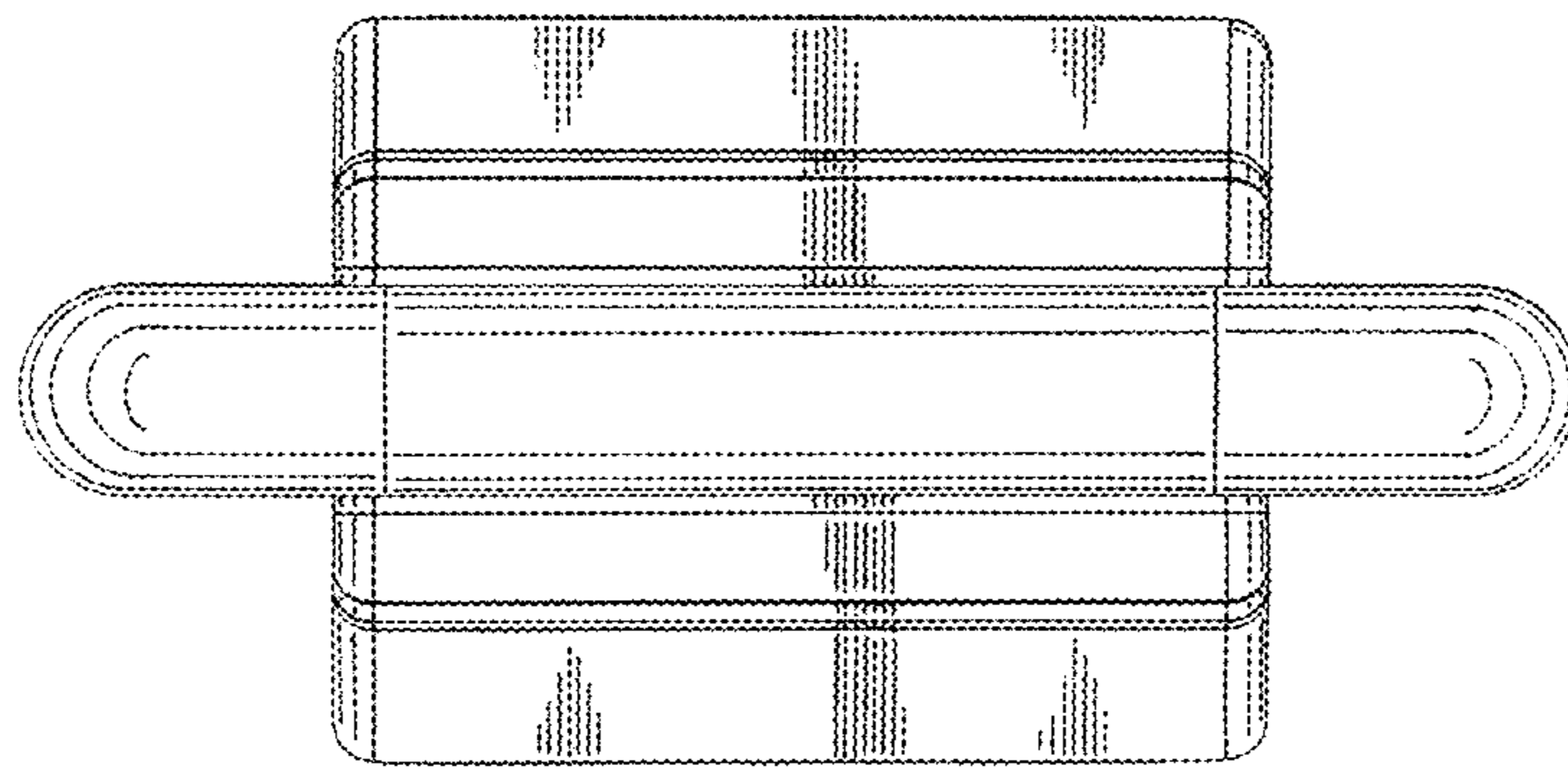


FIG. 6