



US00D796590S

(12) **United States Design Patent** (10) **Patent No.:** **US D796,590 S**  
**Crevits** (45) **Date of Patent:** **\*\* Sep. 5, 2017**

(54) **HOME GYM EQUIPMENT**  
(71) Applicant: **Philippe Crevits**, Meung-sur-Loir (FR)  
(72) Inventor: **Philippe Crevits**, Meung-sur-Loir (FR)  
(\*\*) Term: **15 Years**  
(21) Appl. No.: **29/549,185**  
(22) Filed: **Dec. 18, 2015**

(30) **Foreign Application Priority Data**

Jun. 22, 2015 (EM) ..... 0002723288-0001

(51) **LOC (10) Cl.** ..... **21-02**

(52) **U.S. Cl.**

USPC ..... **D21/662**

(58) **Field of Classification Search**

USPC ..... D21/662, 666, 670-671, 673, 675,

D21/679-682, 686-687, 692, 694

CPC ..... A63B 21/00; A63B 21/0004; A63B 69/00;

A63B 71/00; A63B 2225/00; A63K 3/02;

B60B 7/02; B62K 21/12

See application file for complete search history.

(56) **References Cited**

**U.S. PATENT DOCUMENTS**

5,906,304	A *	5/1999	Baldacchino	.....	B63B 35/7946
					224/401
D502,516	S *	3/2005	Chen	.....	D21/669
D528,612	S *	9/2006	Black	.....	D21/552
D533,743	S *	12/2006	Eastman	.....	D6/552
D565,132	S *	3/2008	Lien	.....	D21/686
8,979,717	B2 *	3/2015	Glickstein	.....	A63B 21/068
					482/143
9,409,048	B1 *	8/2016	Hopperstad	.....	A63B 21/078
9,498,670	B1 *	11/2016	Hopperstad	.....	A63B 21/078
2001/0004624	A1 *	6/2001	Cournoyer	.....	A63B 21/068
					482/141
2007/0062992	A1 *	3/2007	Hepworth	.....	B60R 9/08
					224/406

2010/0252514	A1 *	10/2010	Chung	.....	A47B 43/00
					211/85.7
2013/0172157	A1 *	7/2013	Glickstein	.....	A63B 21/068
					482/96
2013/0212857	A1 *	8/2013	Donofrio	.....	A63B 1/00
					29/428
2014/0135183	A1 *	5/2014	Inglut	.....	A63B 21/068
					482/96
2014/0274607	A1 *	9/2014	Kaye	.....	A63B 21/0557
					482/130
2015/0083681	A1 *	3/2015	Childs	.....	A63B 21/078
					211/85.7
2015/0126348	A1 *	5/2015	Kaye	.....	A63B 21/0442
					482/130
2016/0250515	A1 *	9/2016	Hopperstad	.....	A63B 21/078
					482/39
2016/0271444	A1 *	9/2016	Payne	.....	A63B 23/1236
2016/0303415	A1 *	10/2016	Beaver	.....	A63B 23/0458
2016/0339291	A1 *	11/2016	Hopperstad	.....	A63B 21/078

\* cited by examiner

*Primary Examiner* — Caron D Veynar

*Assistant Examiner* — Mehri Bajoul

(74) *Attorney, Agent, or Firm* — Fishman Stewart PLLC

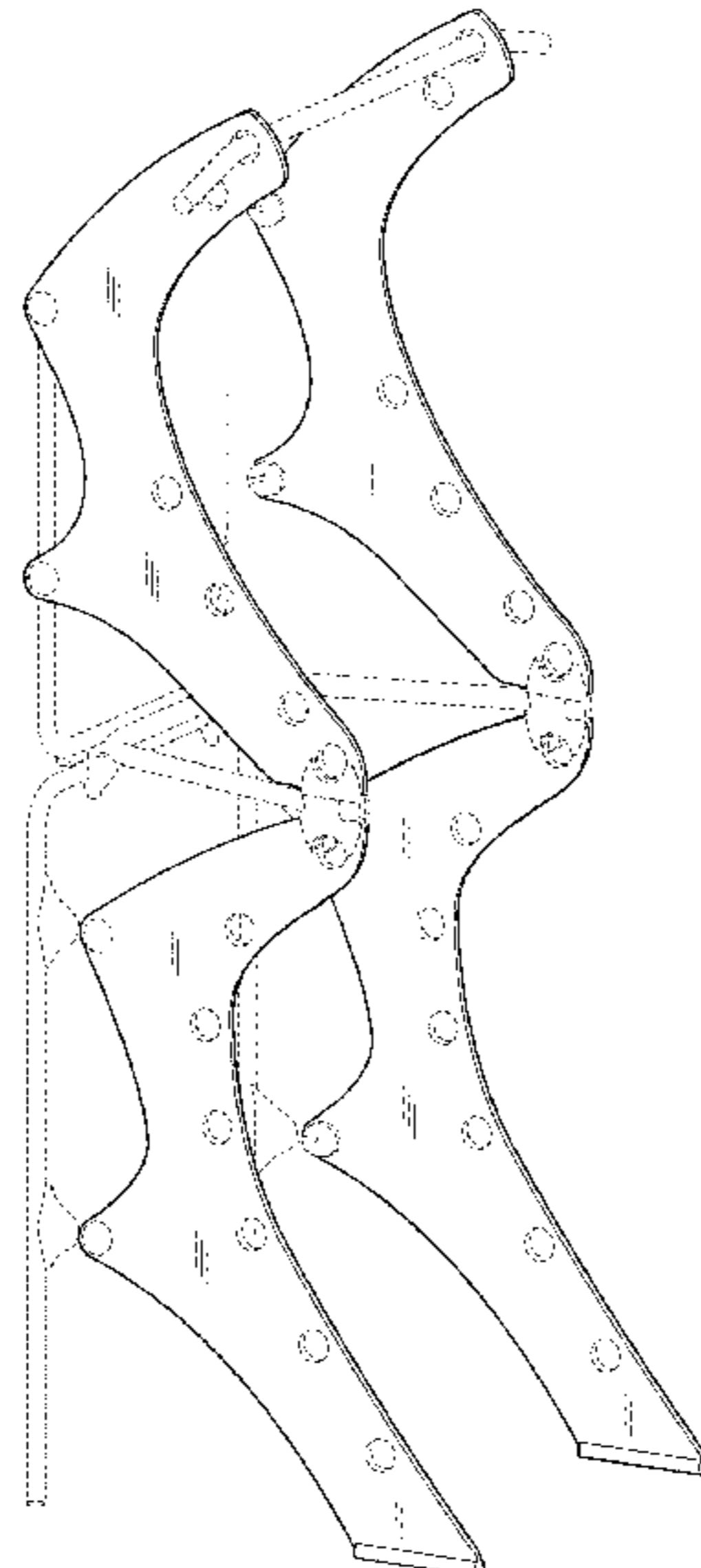
(57) **CLAIM**

The ornamental design for home gym equipment, as shown and described.

**DESCRIPTION**

FIG. 1 is a perspective view of a home gym equipment; FIG. 2 is a front view of a home gym equipment; FIG. 3 is a back view of a home gym equipment; FIG. 4 is a top view of a home gym equipment; FIG. 5 is a bottom view of a home gym equipment; FIG. 6 is a left side view of a home gym equipment; and, FIG. 7 is a right side view of a home gym equipment. Portions of FIGS. 1-7 are shown in broken line for illustrative purposes only and form no part of the claimed design.

**1 Claim, 6 Drawing Sheets**



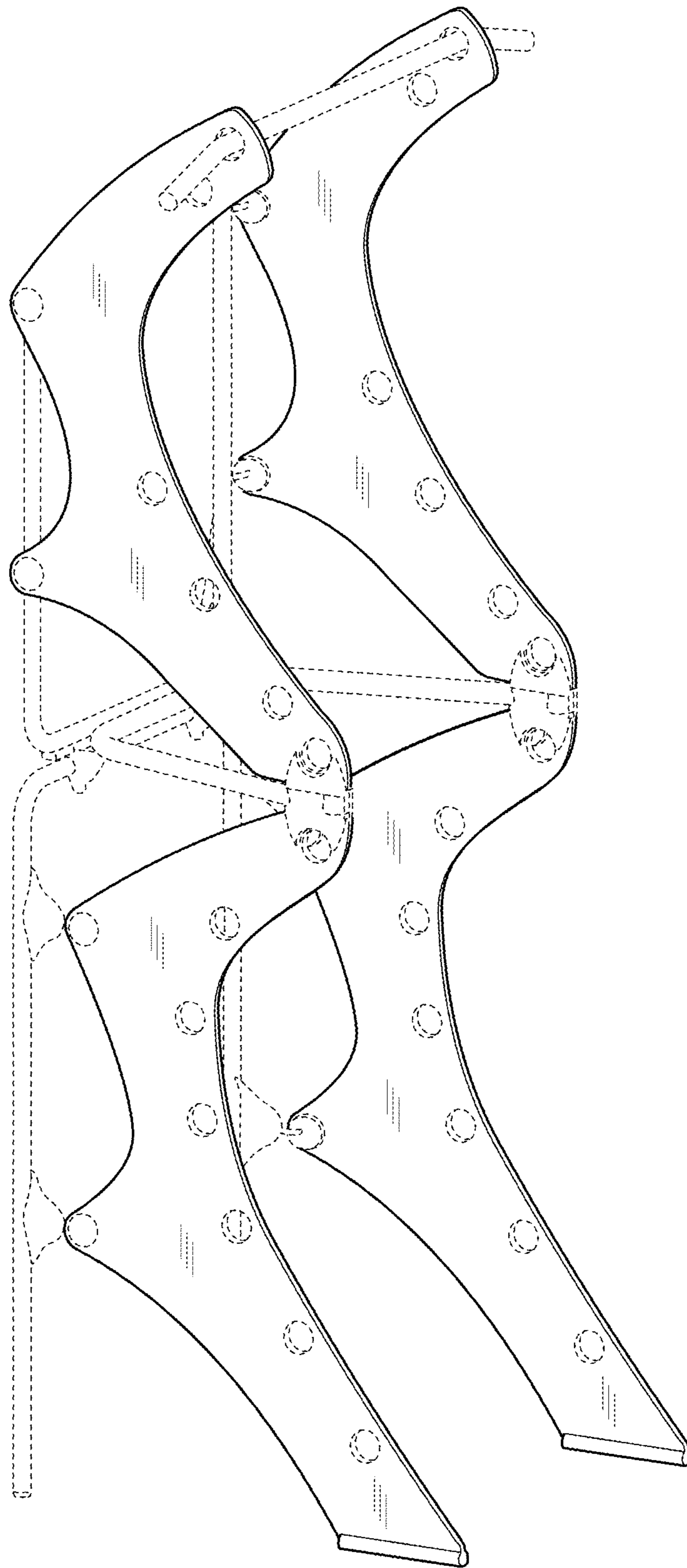


FIG. 1

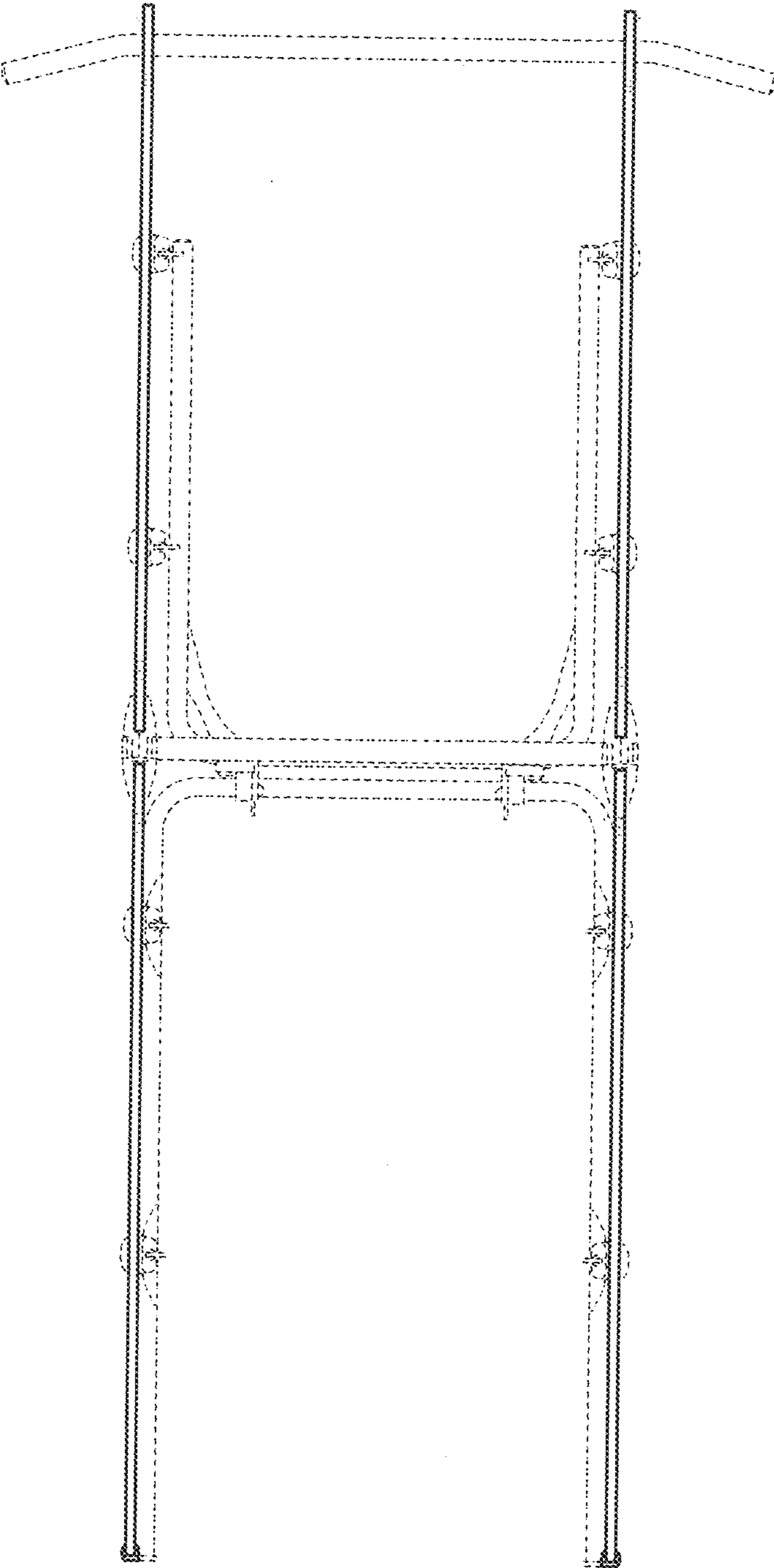


FIG. 2

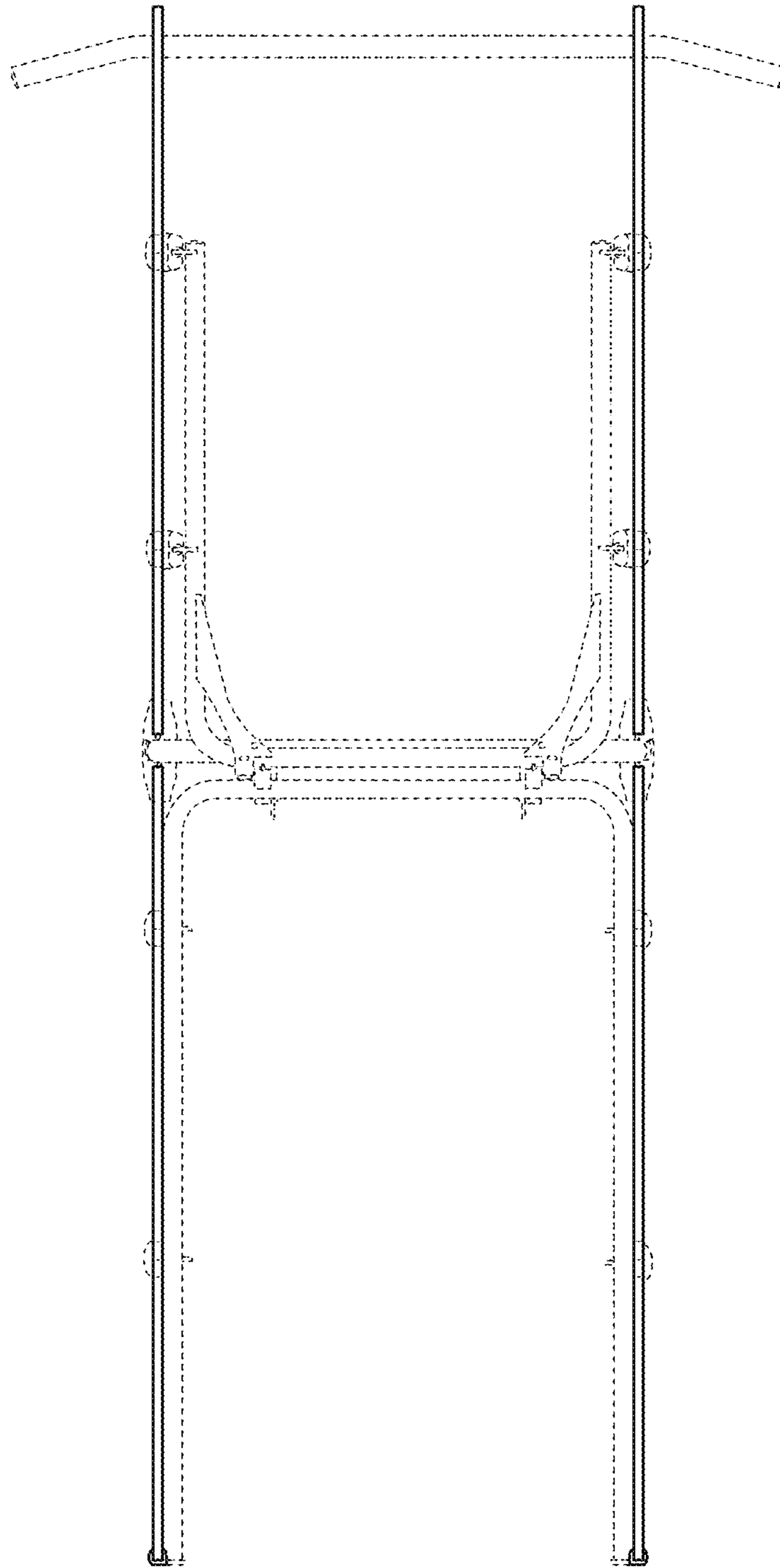


FIG. 3

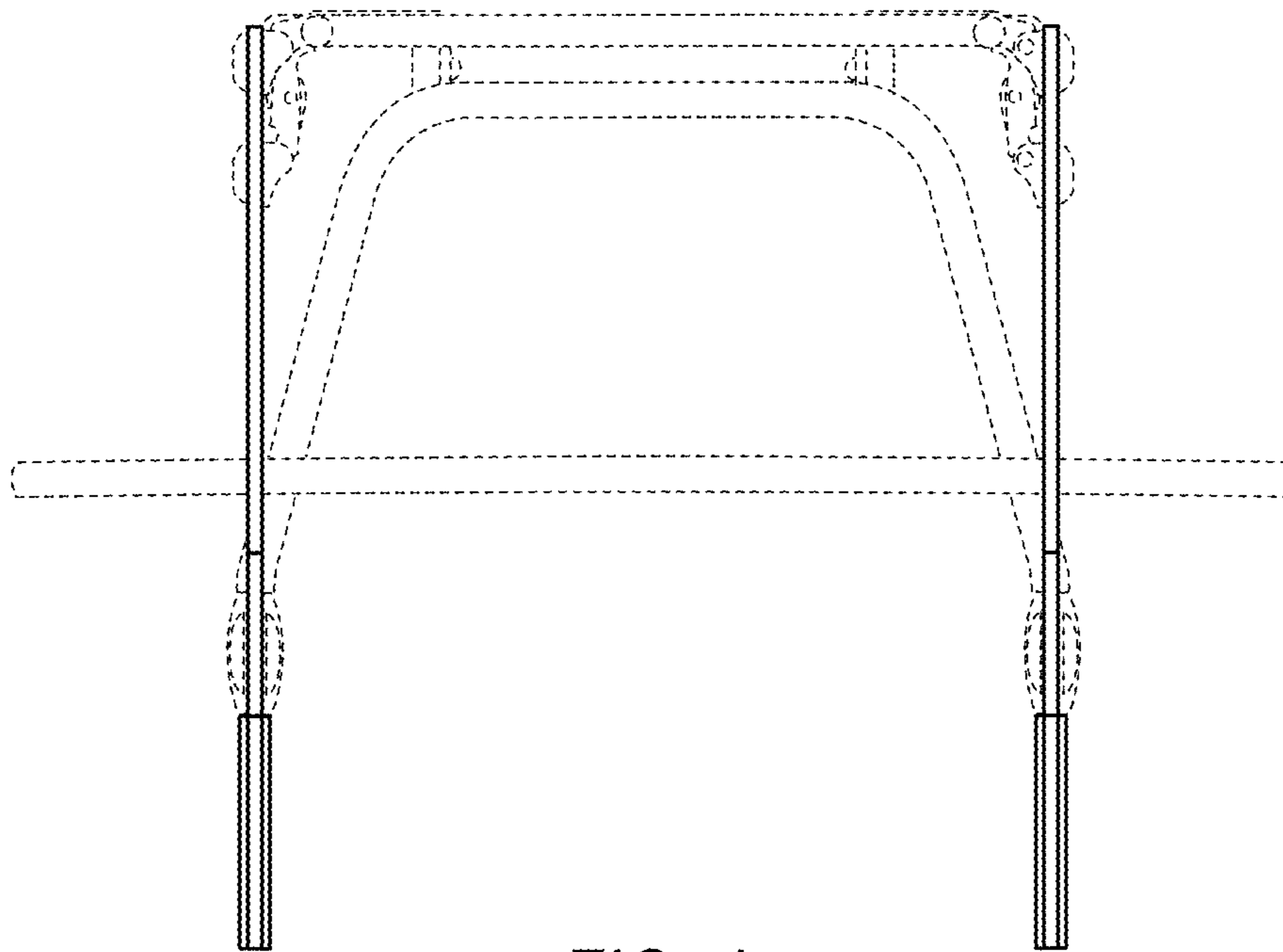


FIG. 4

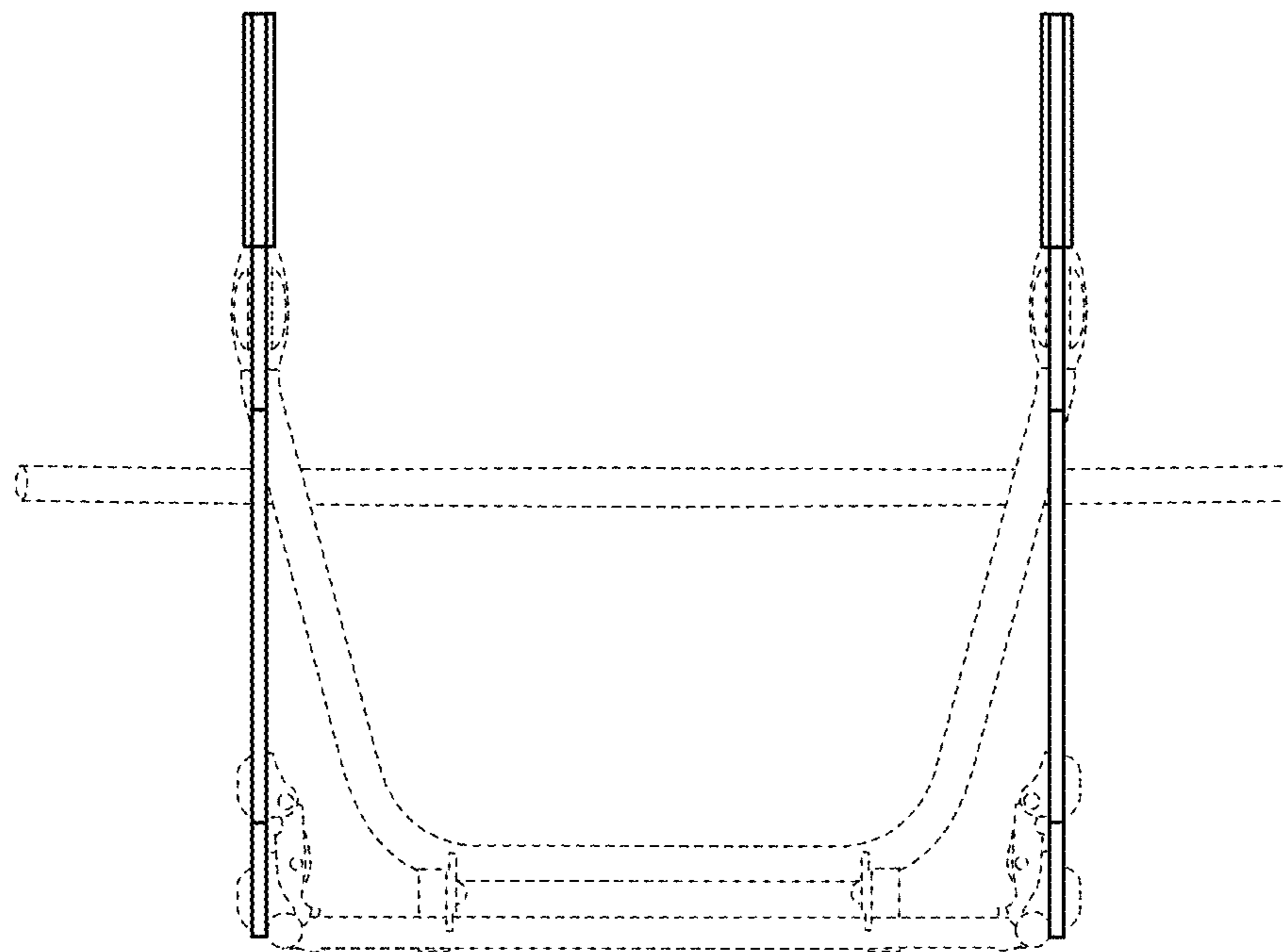


FIG. 5

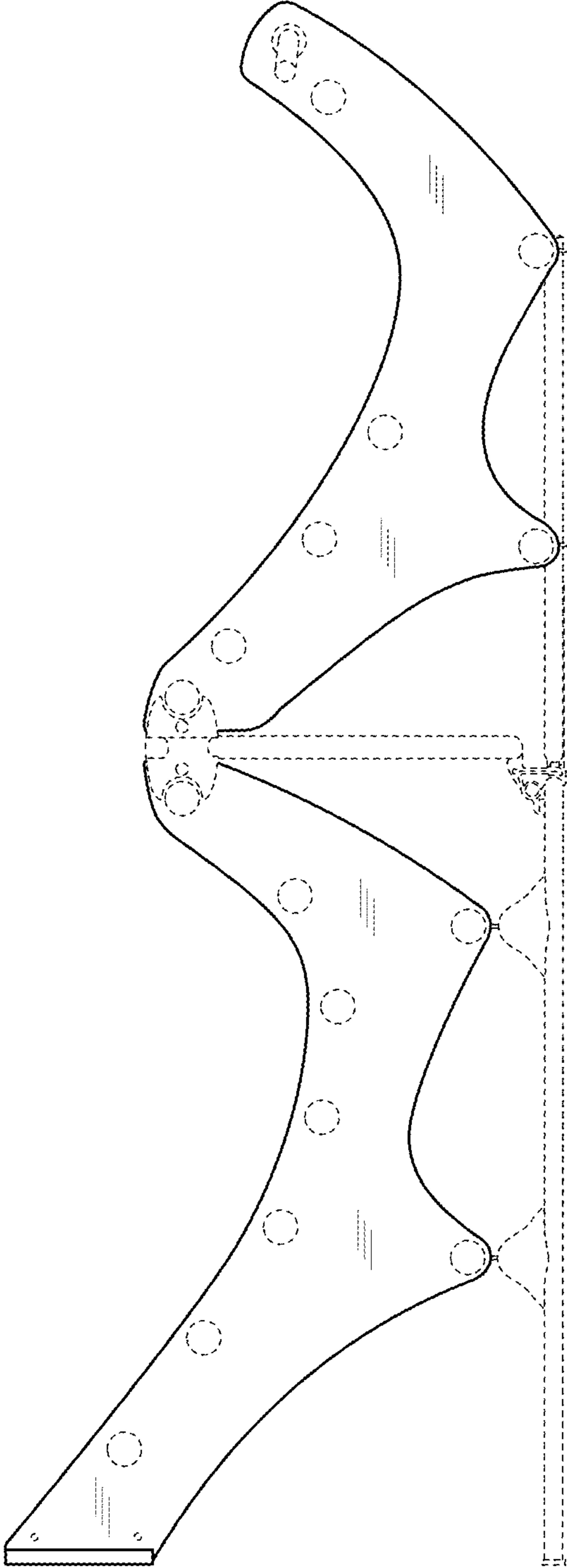


FIG. 6

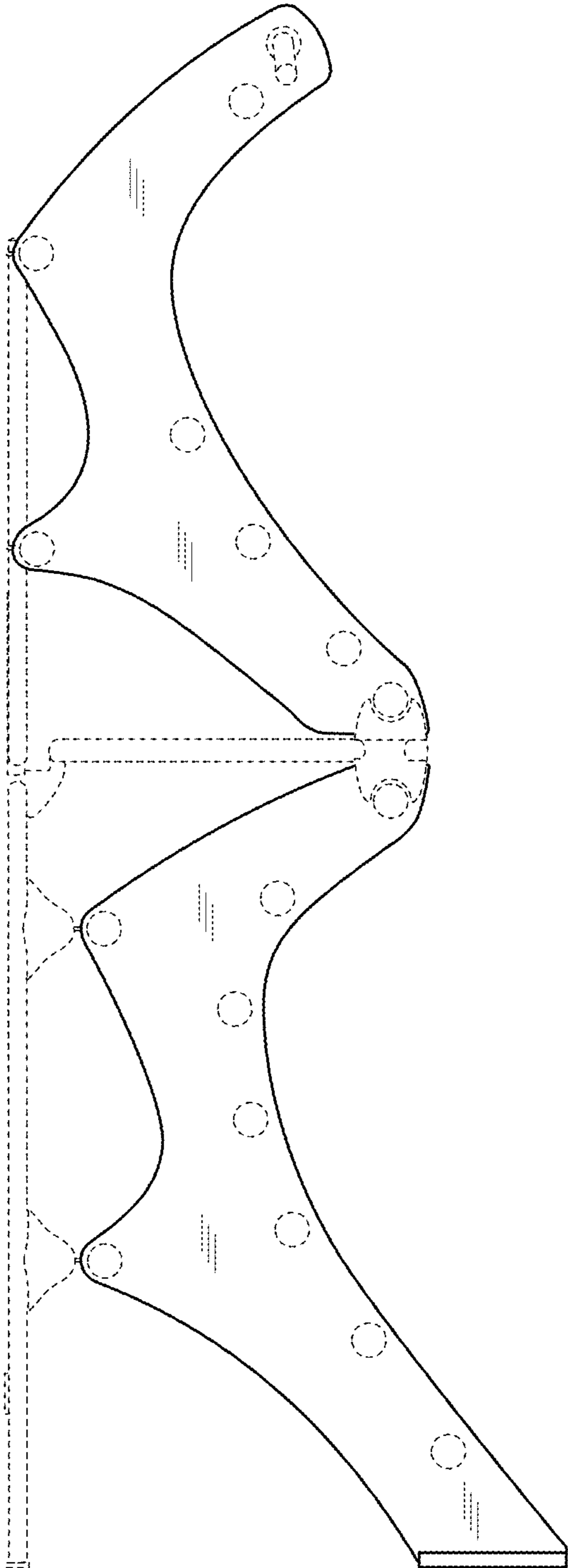


FIG. 7