



US00D796589S

(12) **United States Design Patent** (10) **Patent No.:** **US D796,589 S**
Gillenwater (45) **Date of Patent:** **** Sep. 5, 2017**

(54) **TOY BOAT SET**

DESCRIPTION

(71) Applicant: **Jill Kiplyn Gillenwater**, Cathedral City, CA (US)
(72) Inventor: **Jill Kiplyn Gillenwater**, Cathedral City, CA (US)
(**) Term: **15 Years**
(21) Appl. No.: **29/577,045**
(22) Filed: **Sep. 8, 2016**
(51) **LOC (10) Cl.** **21-01**
(52) **U.S. Cl.**
USPC **D21/542**
(58) **Field of Classification Search**
USPC D21/540, 541, 542-547
CPC A63H 23/00; A63H 23/02; A63H 23/04;
A63H 23/10; A63H 23/12; A63H 23/16
See application file for complete search history.

FIG. 1 is a top front isometric view of the toy boat set according to my new design;
FIG. 2 is a side view thereof;
FIG. 3 is a top front isometric view of a first toy boat of the toy boat set;
FIG. 4 is a bottom rear isometric view thereof;
FIG. 5 is a front view thereof;
FIG. 6 is a rear view thereof;
FIG. 7 is a right side view thereof;
FIG. 8 is a left side view thereof;
FIG. 9 is a top view thereof;
FIG. 10 is a bottom view thereof;
FIG. 11 is a top front isometric view of a second toy boat of the toy boat set;
FIG. 12 is a bottom rear isometric view thereof;
FIG. 13 is a rear view thereof;
FIG. 14 is a front view thereof;
FIG. 15 is a right side view thereof;
FIG. 16 is a left side view thereof;
FIG. 17 is a top view thereof;
FIG. 18 is a bottom view thereof;
FIG. 19 is a top front isometric view of a third toy boat of the toy boat set;
FIG. 20 is a bottom rear isometric view thereof;
FIG. 21 is a front view thereof;
FIG. 22 is a rear view thereof;
FIG. 23 is a right side view thereof;
FIG. 24 is a left side view thereof;
FIG. 25 is a top view thereof;
FIG. 26 is a bottom view thereof;
FIG. 27 is a top front isometric view of a fourth toy boat of the toy boat set;
FIG. 28 is a bottom rear isometric view thereof;
FIG. 29 is a front view thereof;
FIG. 30 is a rear view thereof;
FIG. 31 is a right side view thereof;
FIG. 32 is a left side view thereof;
FIG. 33 is a top view thereof; and,
FIG. 34 is a bottom view thereof.

(56) **References Cited**

U.S. PATENT DOCUMENTS

2,747,324 A * 5/1956 Zalkind A63H 33/00
273/156
D211,036 S * 5/1968 Thornell D21/546
D222,374 S * 10/1971 Fujisawa D21/542
D234,965 S * 4/1975 Reiling, Jr. D21/542
D247,384 S * 2/1978 Nakao D21/547
D277,591 S * 2/1985 Rivollet D21/542
D281,264 S * 11/1985 Spirk, Jr. D21/547

(Continued)

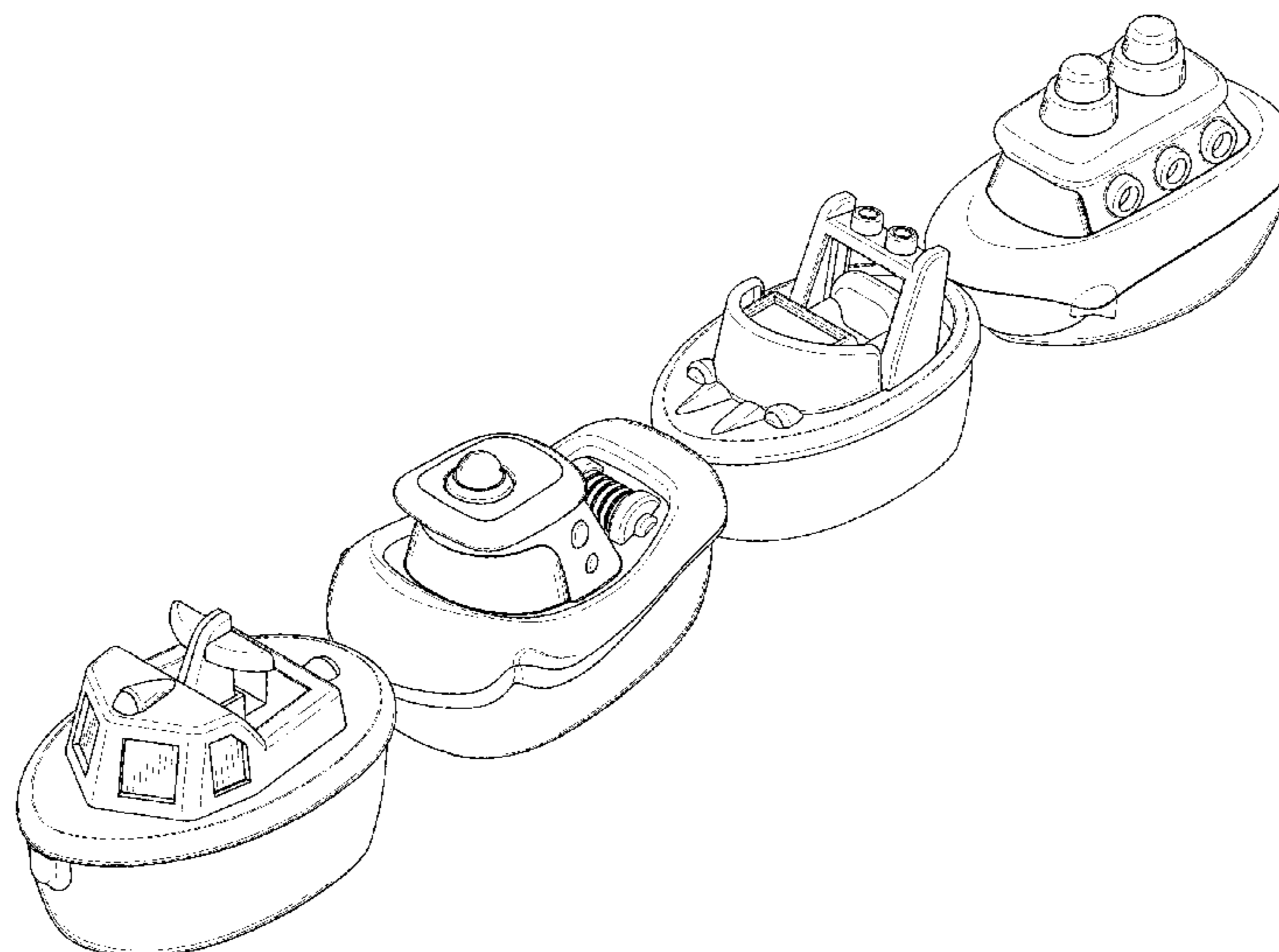
Primary Examiner — Cynthia M Chin

(74) *Attorney, Agent, or Firm* — Mestechkin Law Group P.C.

(57) **CLAIM**

The ornamental design for a toy boat set, as shown and described.

1 Claim, 18 Drawing Sheets



(56)

References Cited

U.S. PATENT DOCUMENTS

D294,510	S	*	3/1988	Michaelson	D21/542
D302,193	S	*	7/1989	Thomson	D21/546
D311,557	S	*	10/1990	Thomson	D21/547
D312,847	S	*	12/1990	Taninaka	D21/543
D337,136	S	*	7/1993	Murdough, Jr.	D21/546
D359,618	S	*	6/1995	Chen	D21/542
D368,745	S	*	4/1996	Wong	D21/542
D374,467	S	*	10/1996	Cziraky	D19/82
D412,190	S	*	7/1999	Graham	D21/546
D451,155	S	*	11/2001	Yamazaki	D21/542
D636,447	S	*	4/2011	Lockwood	D21/542
D764,603	S	*	8/2016	Ha	D21/540

* cited by examiner

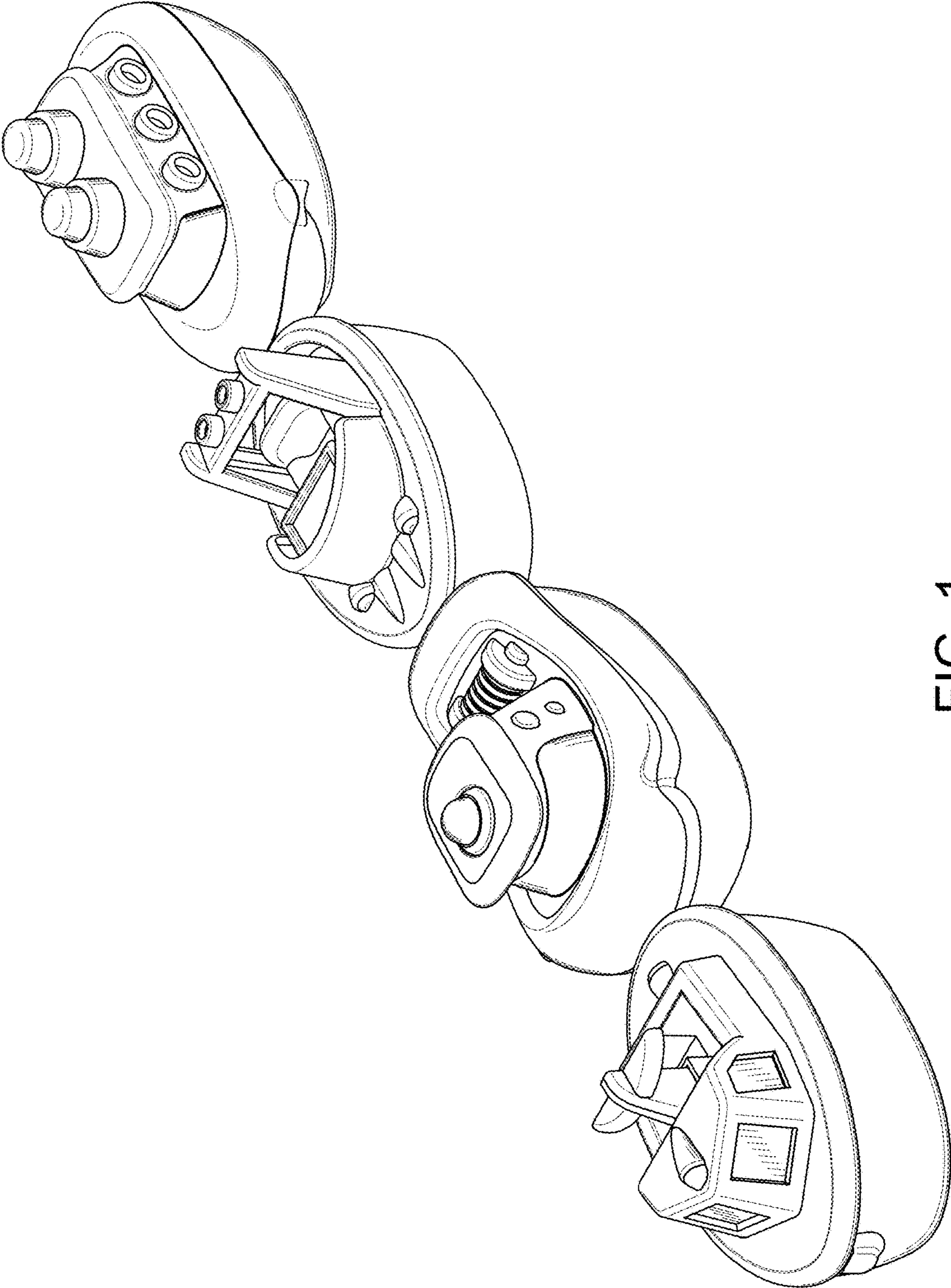


FIG. 1

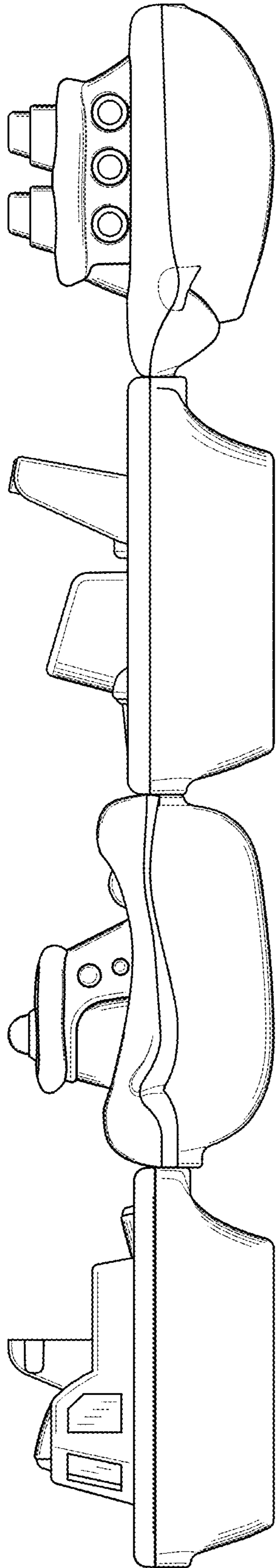


FIG. 2

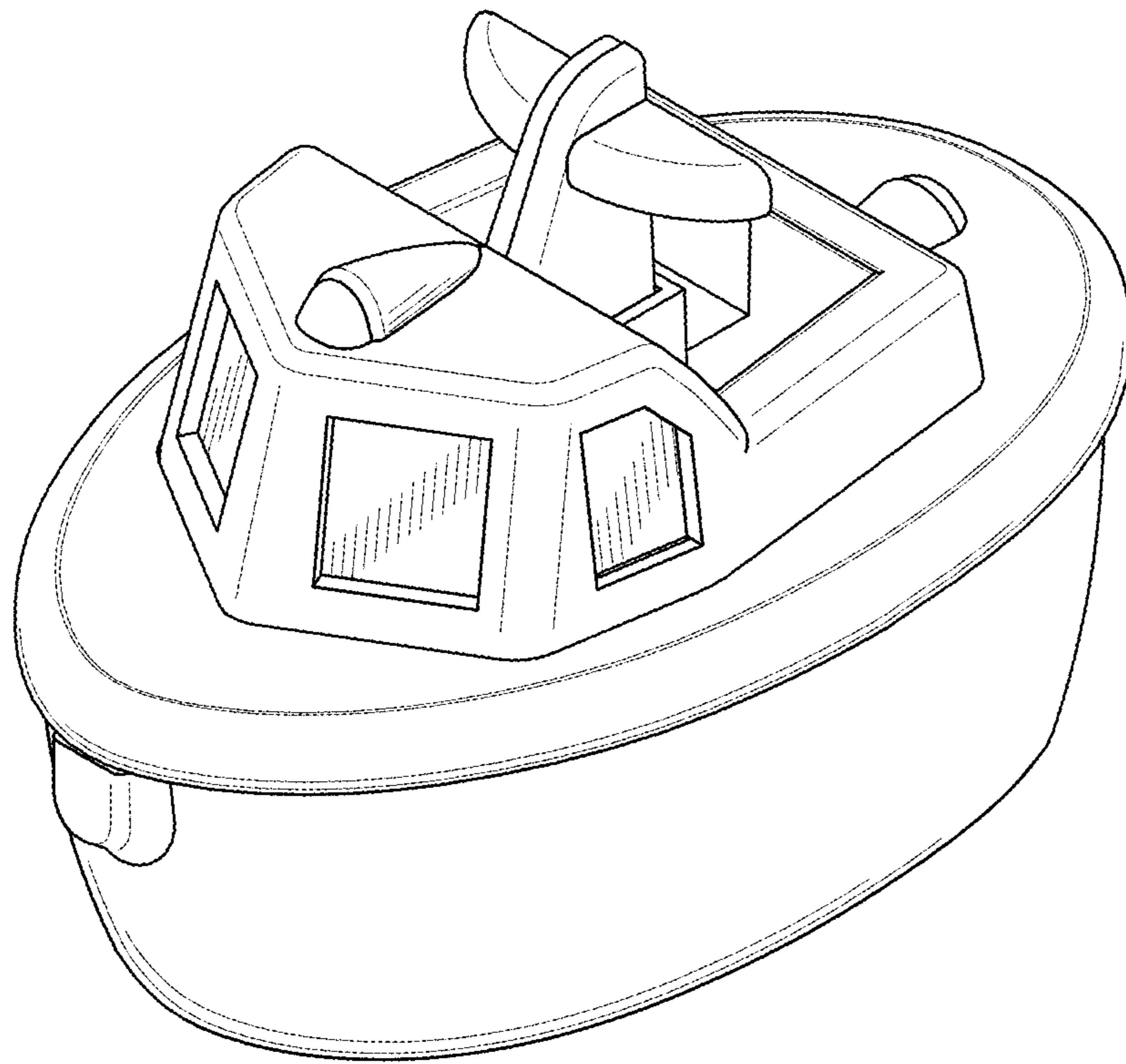


FIG. 3

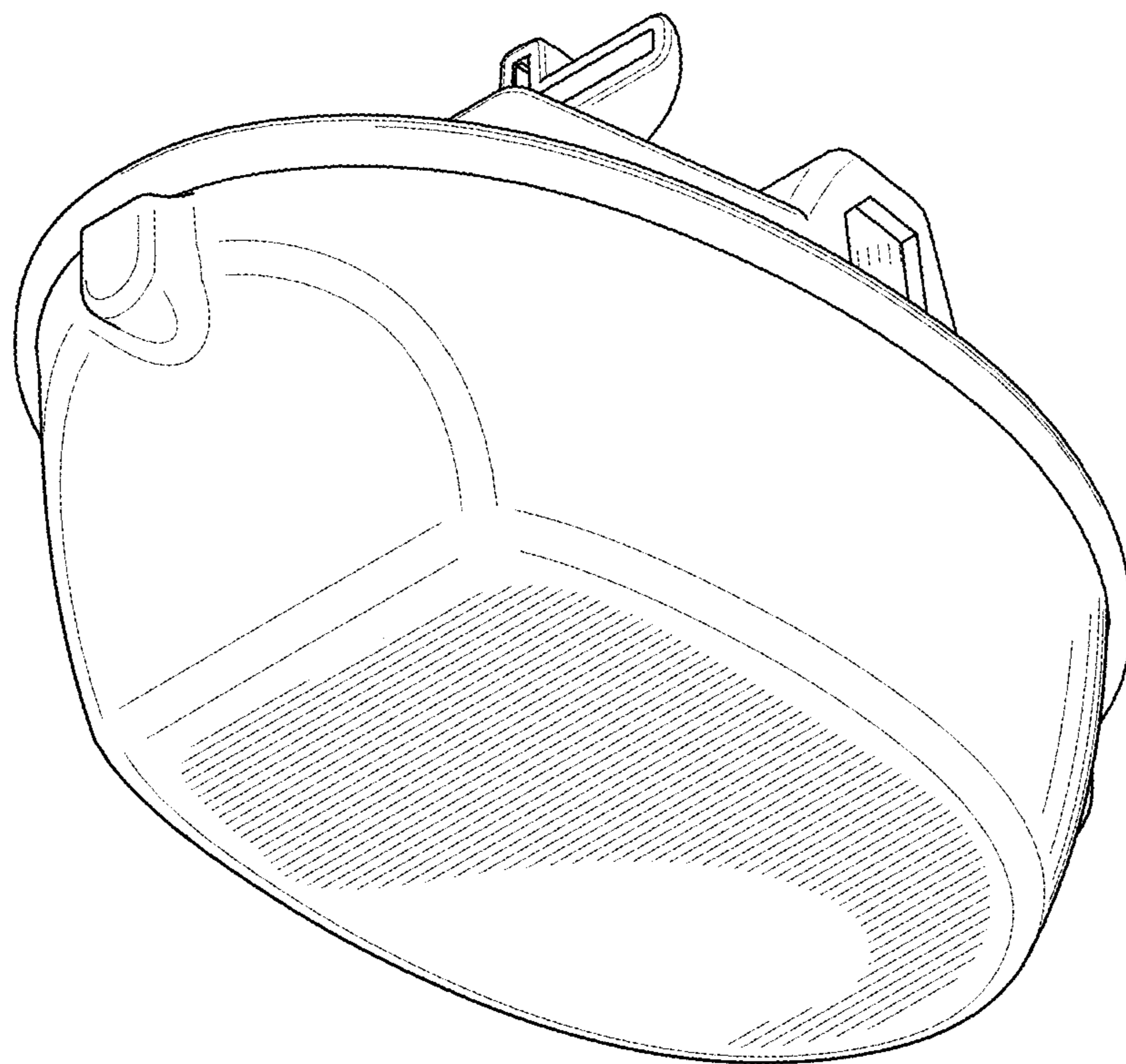


FIG. 4

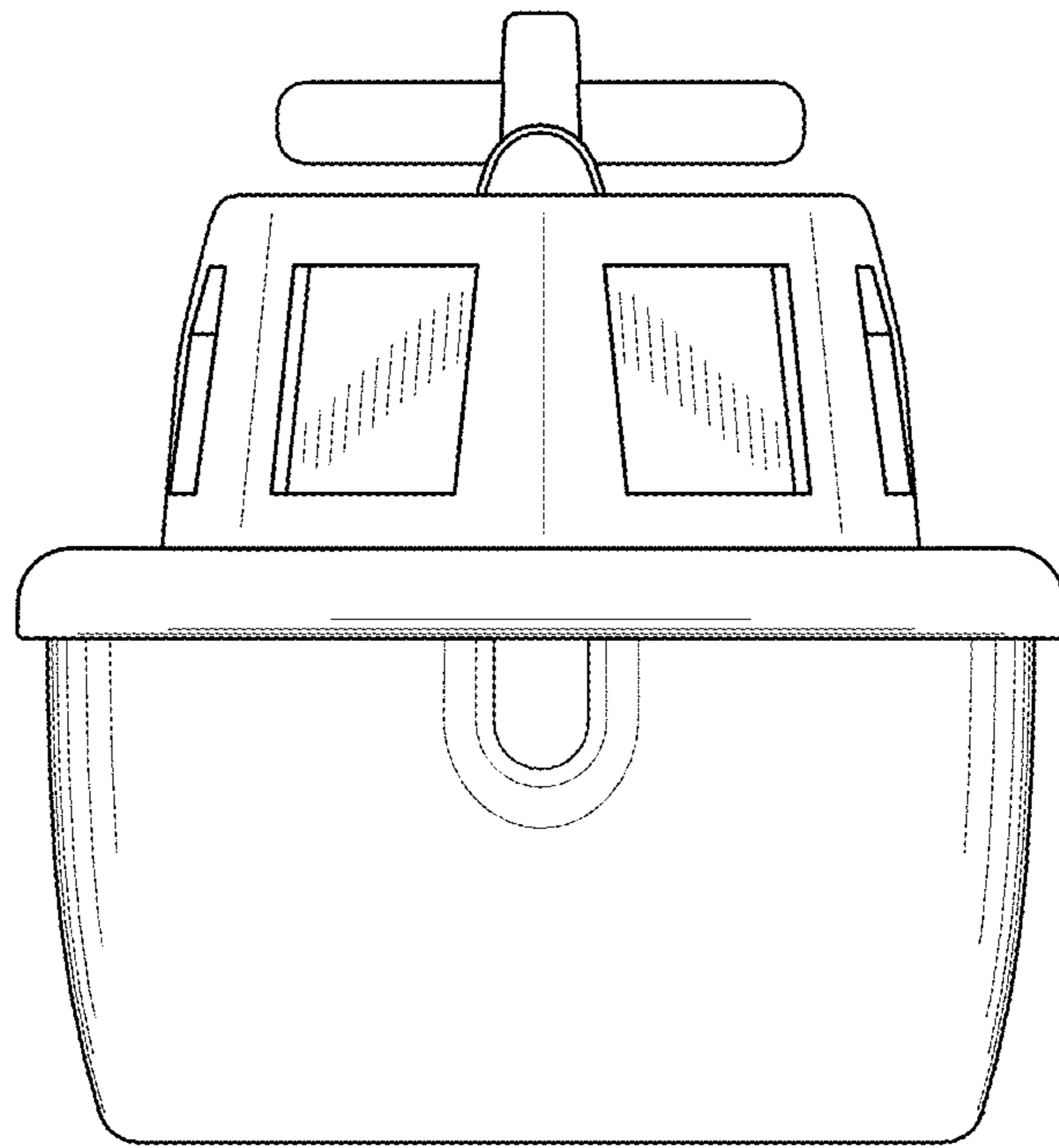


FIG. 5

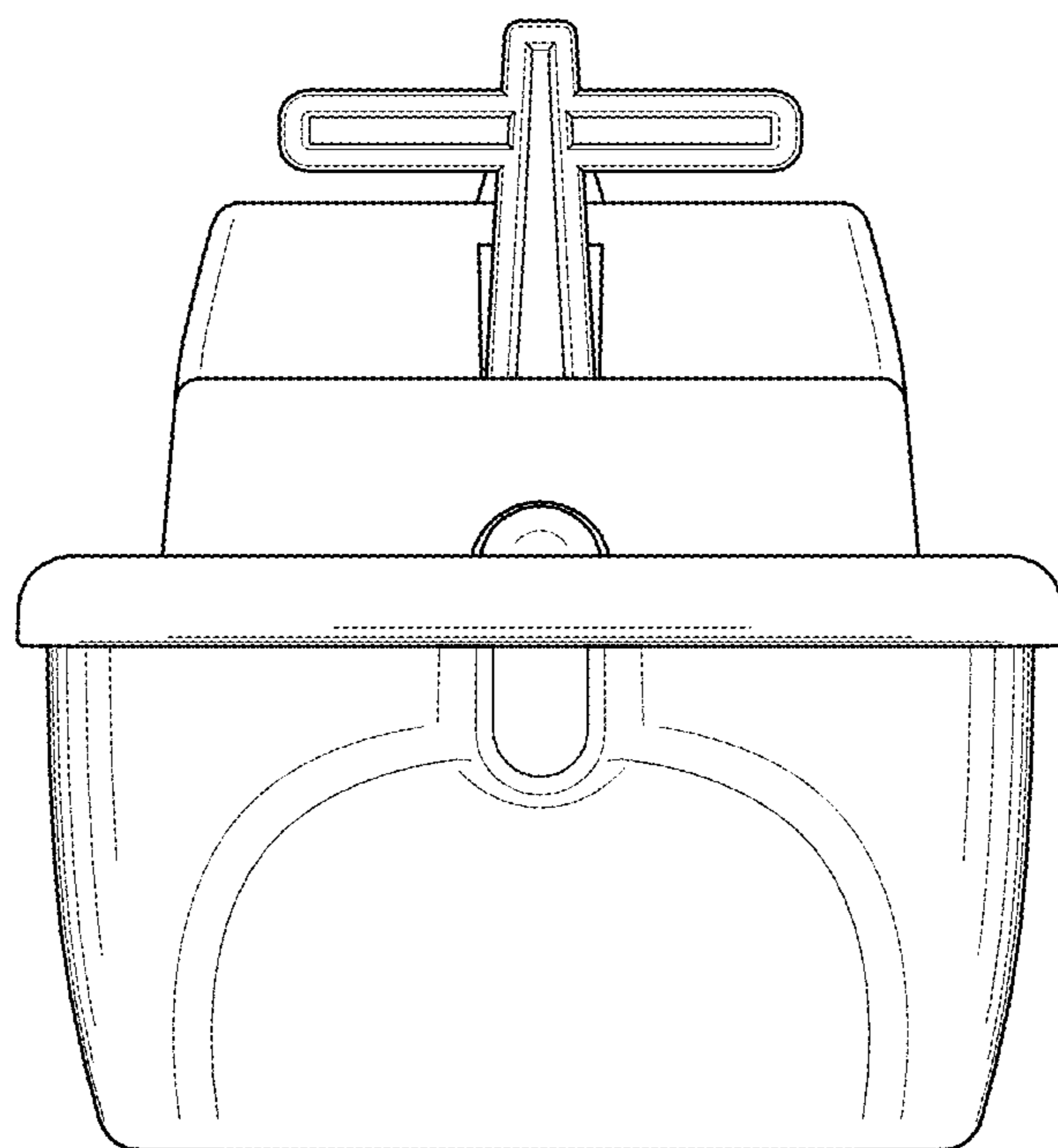


FIG. 6

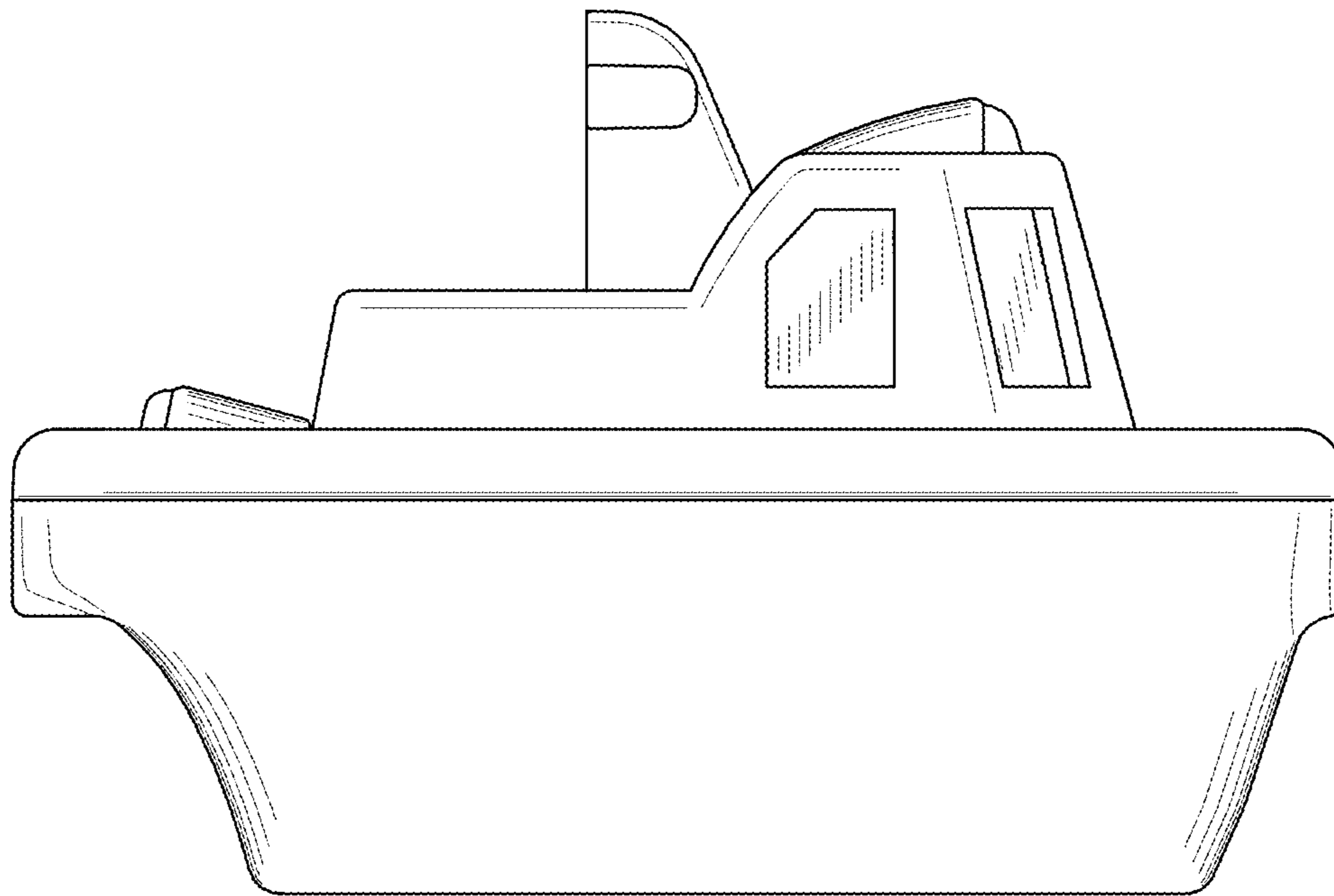


FIG. 7

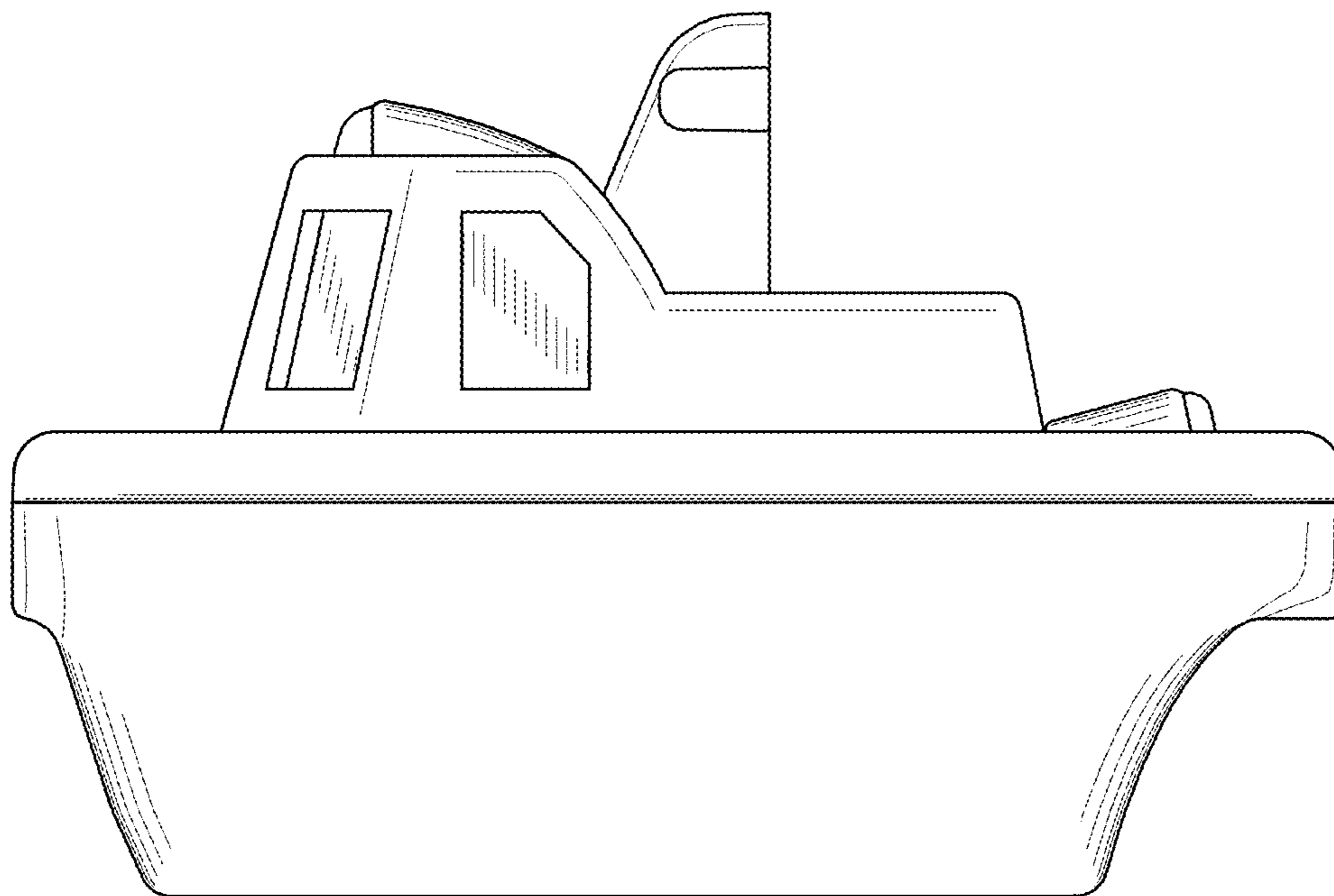


FIG. 8

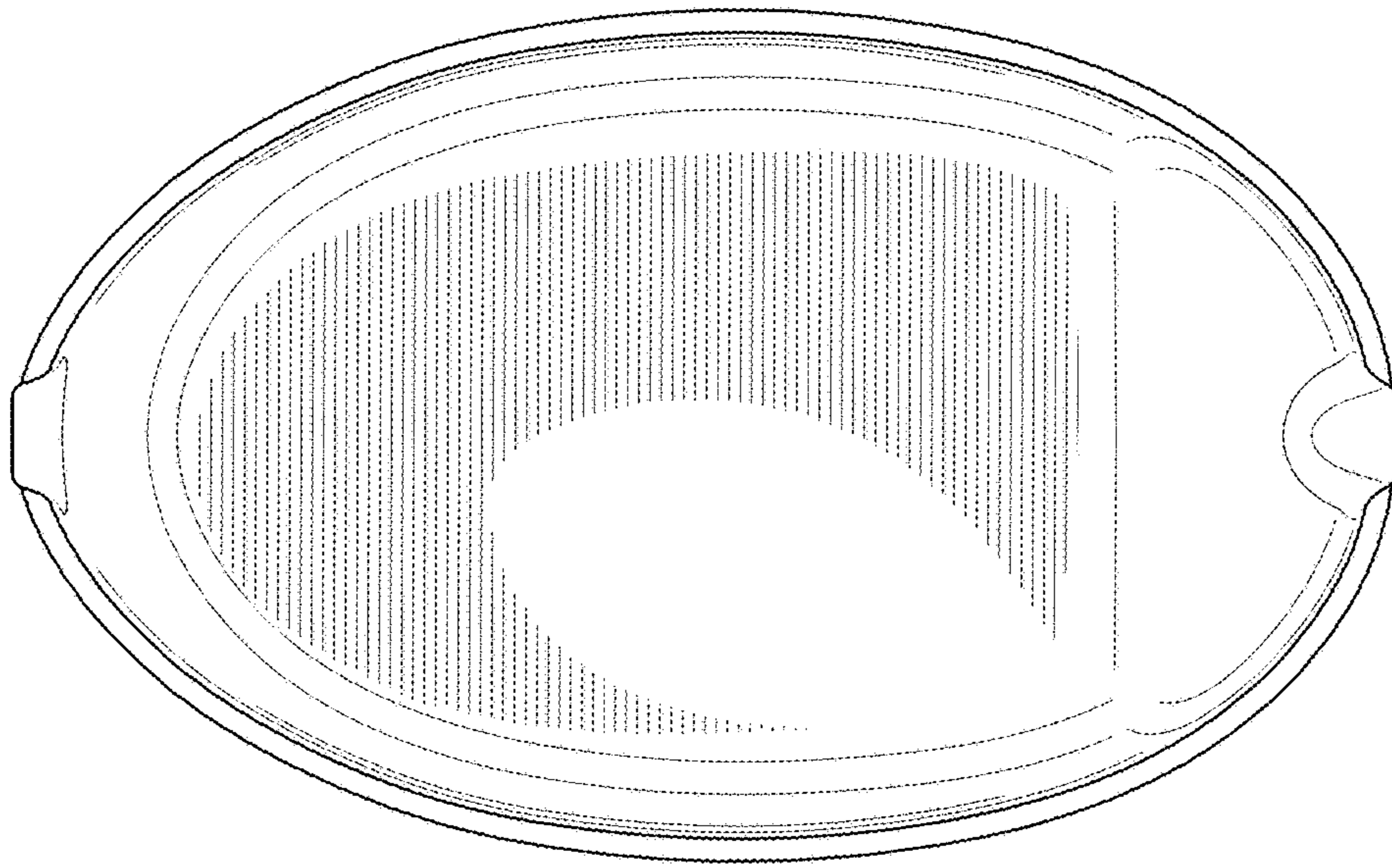


FIG. 10

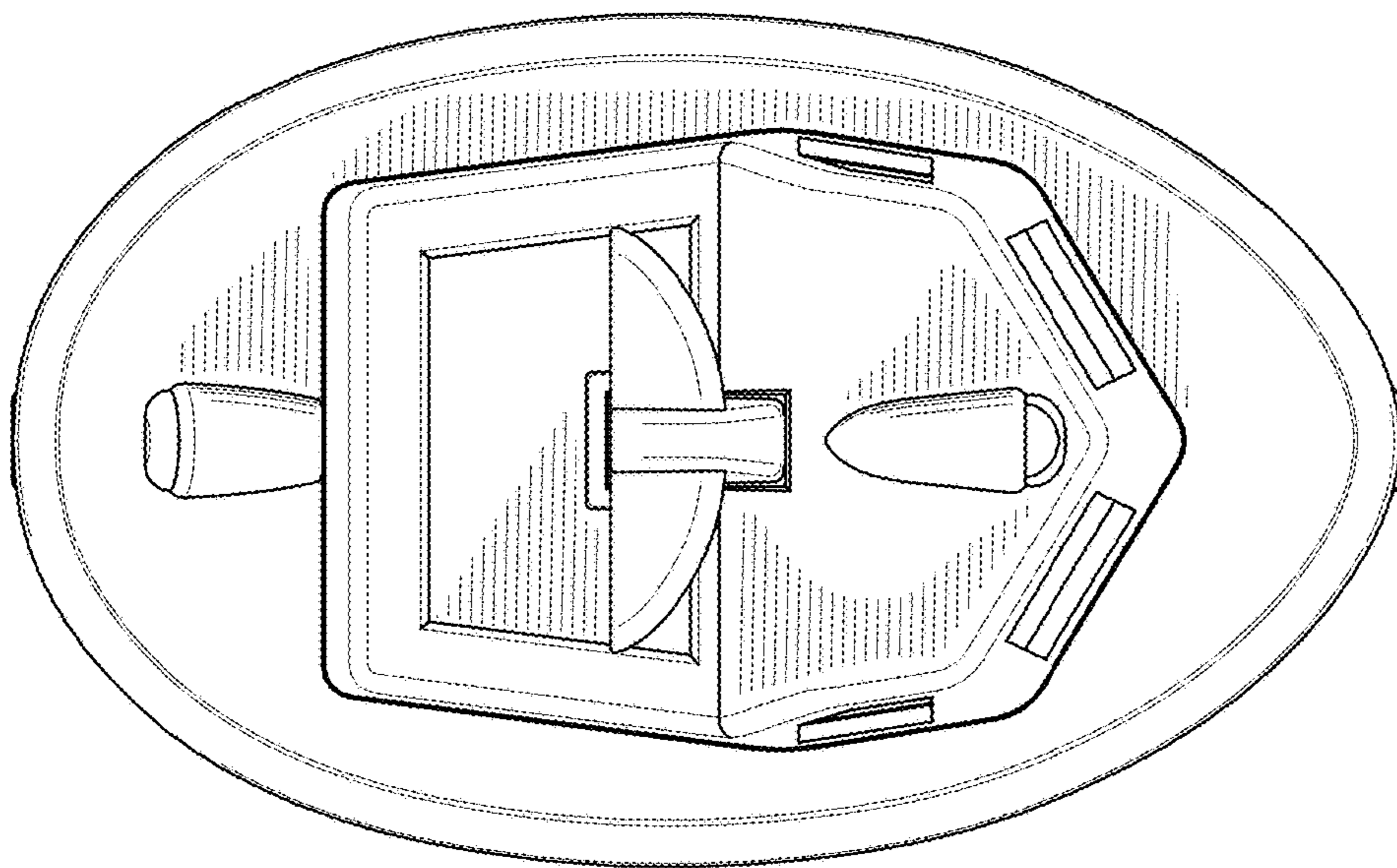


FIG. 9

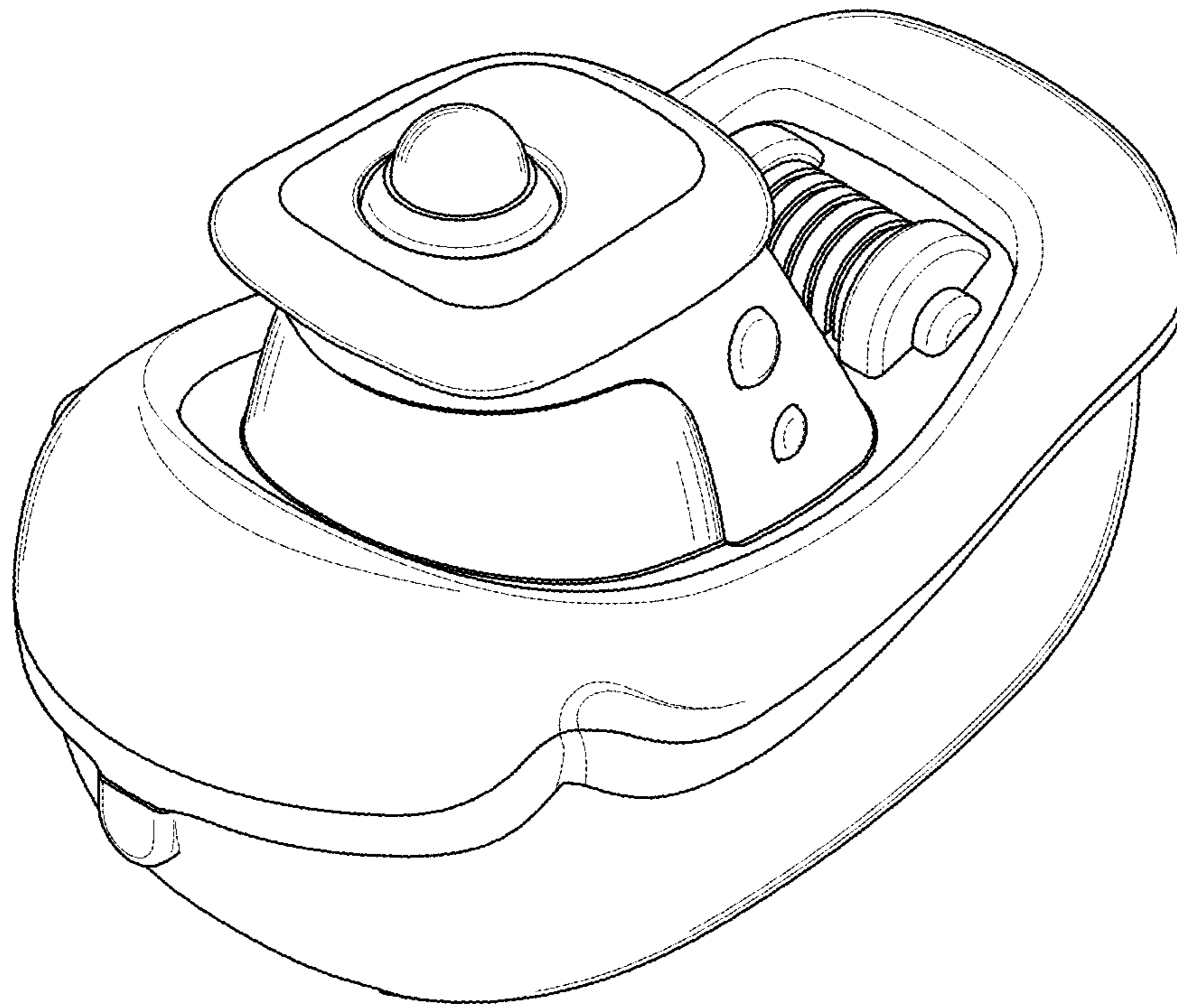


FIG. 11

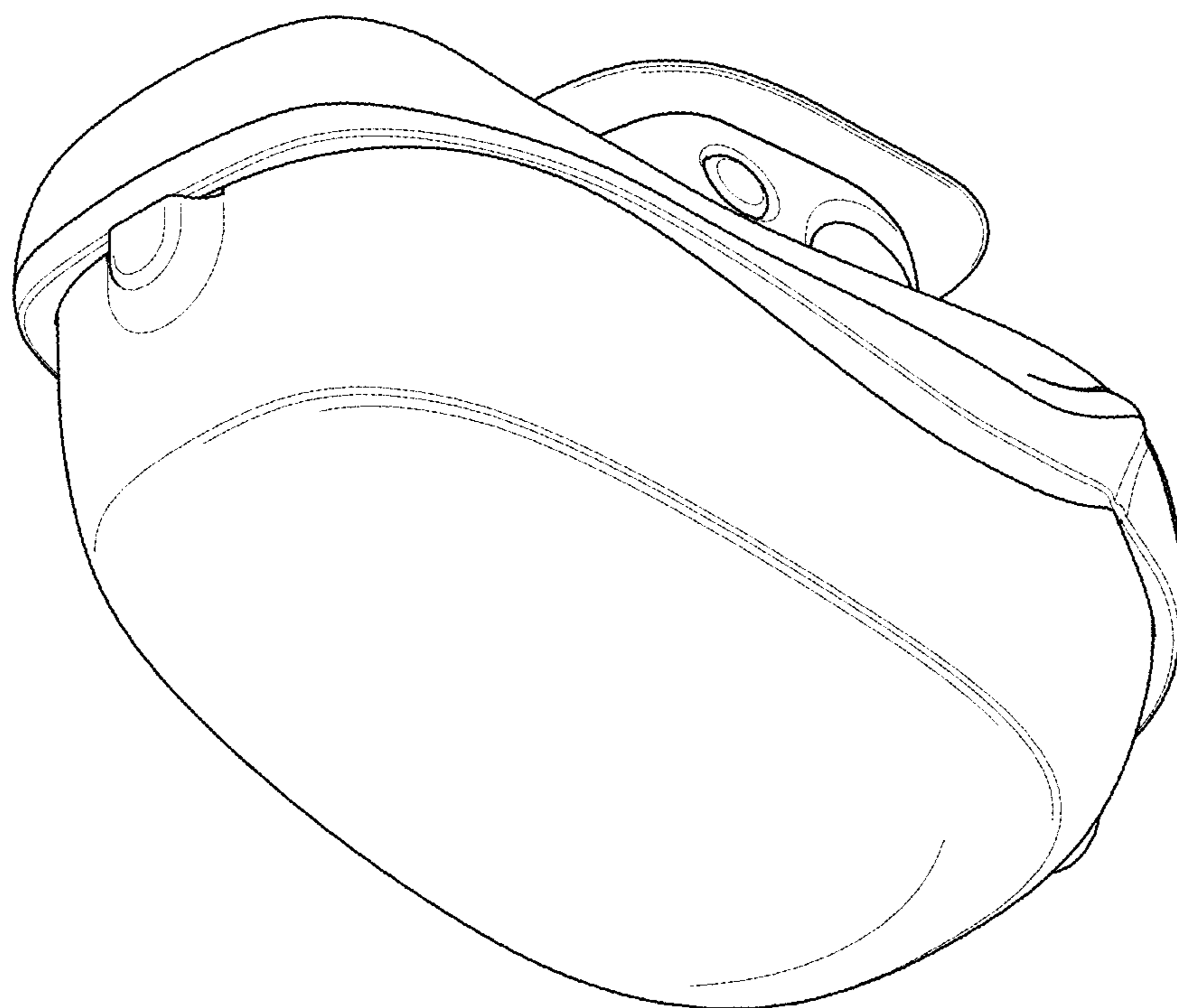


FIG. 12

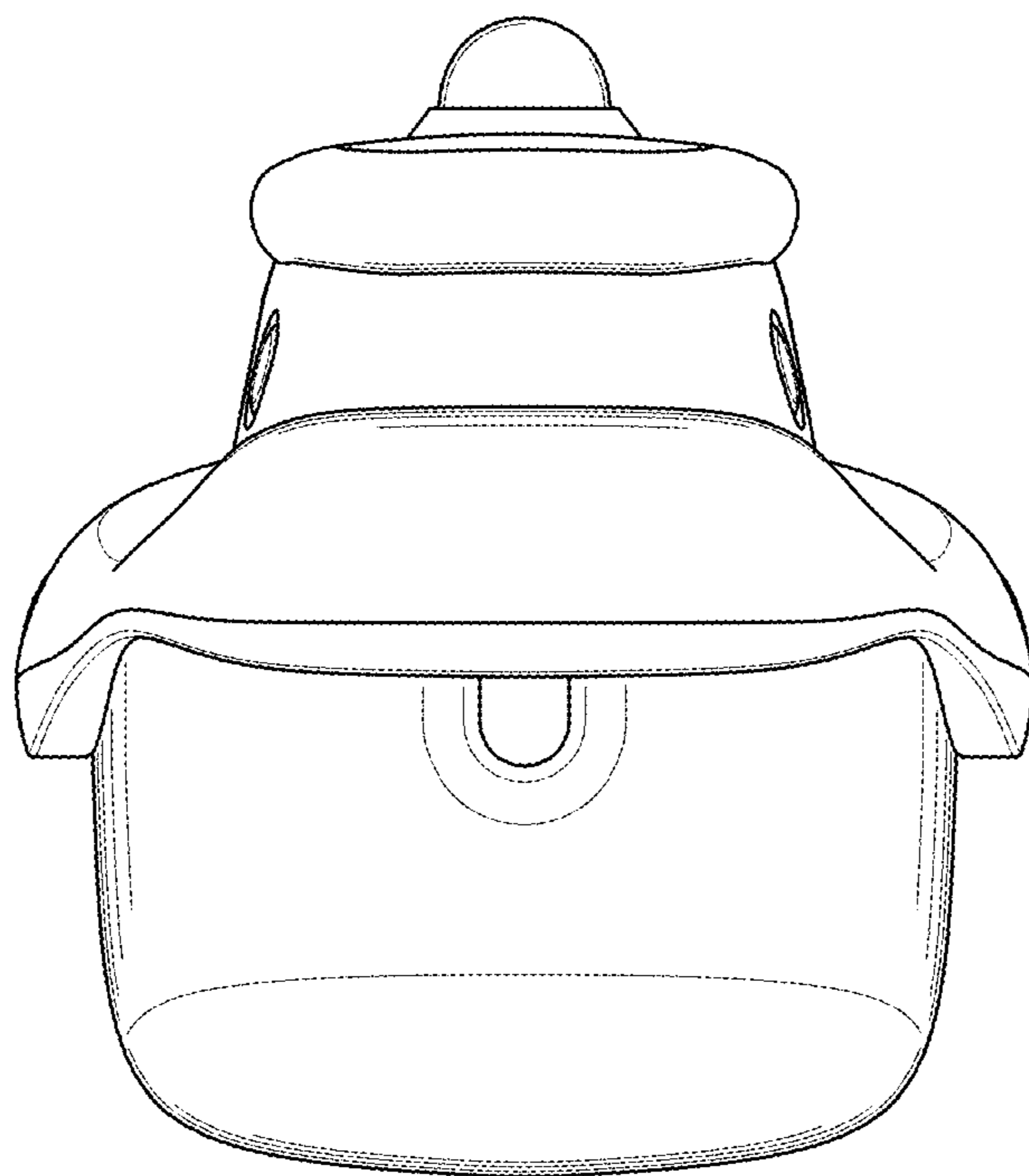


FIG. 13

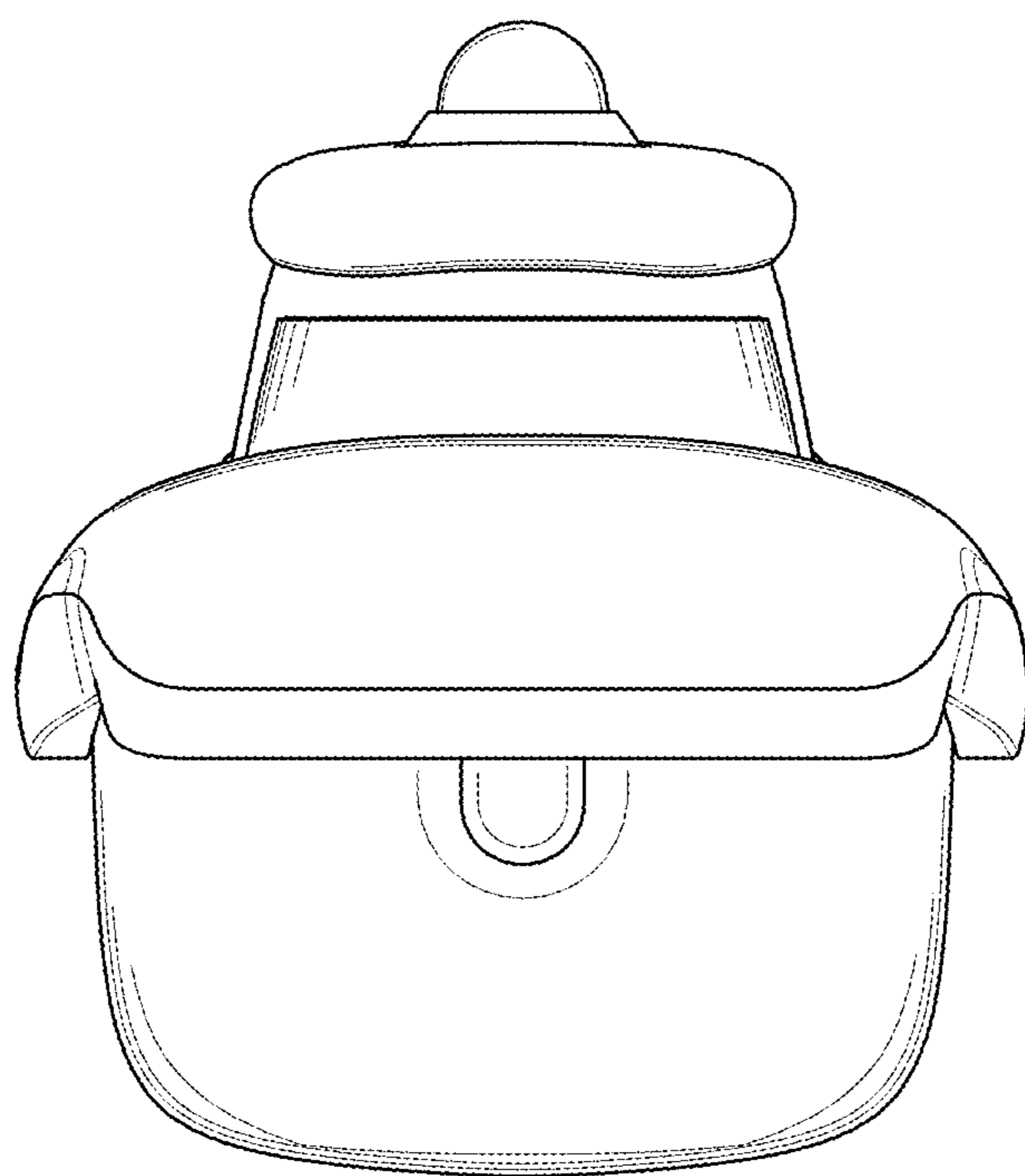


FIG. 14

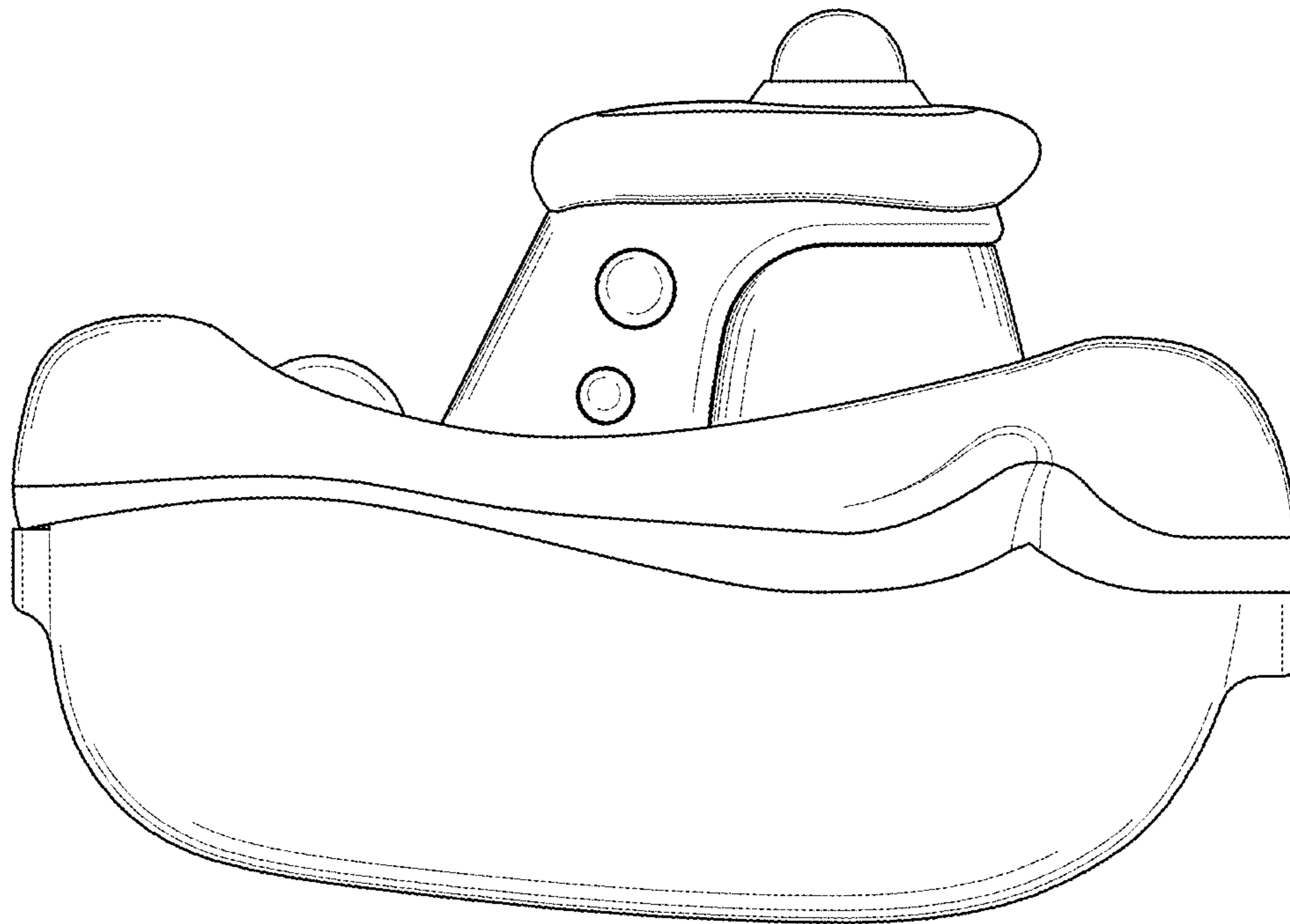


FIG. 15

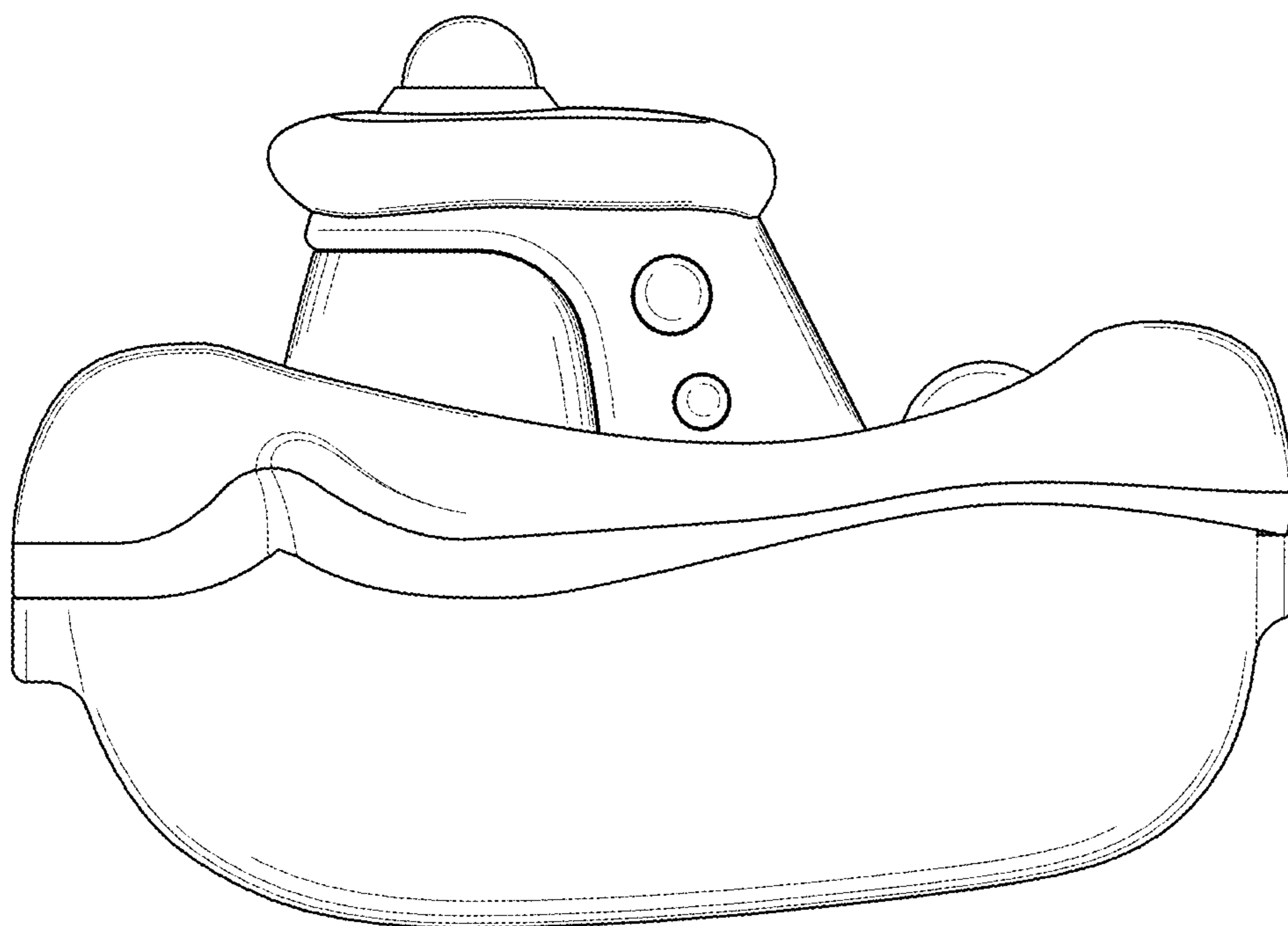


FIG. 16

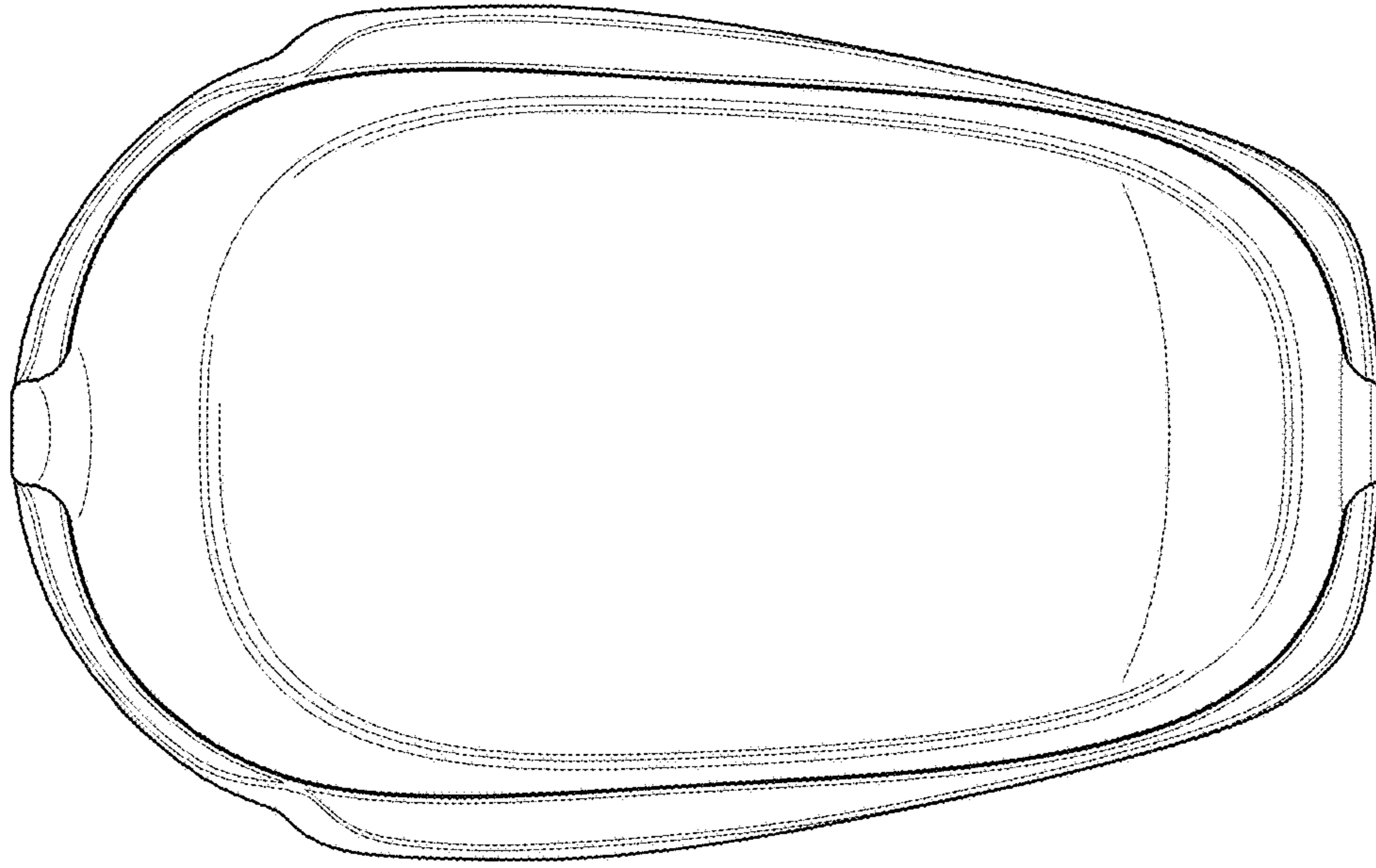


FIG. 18

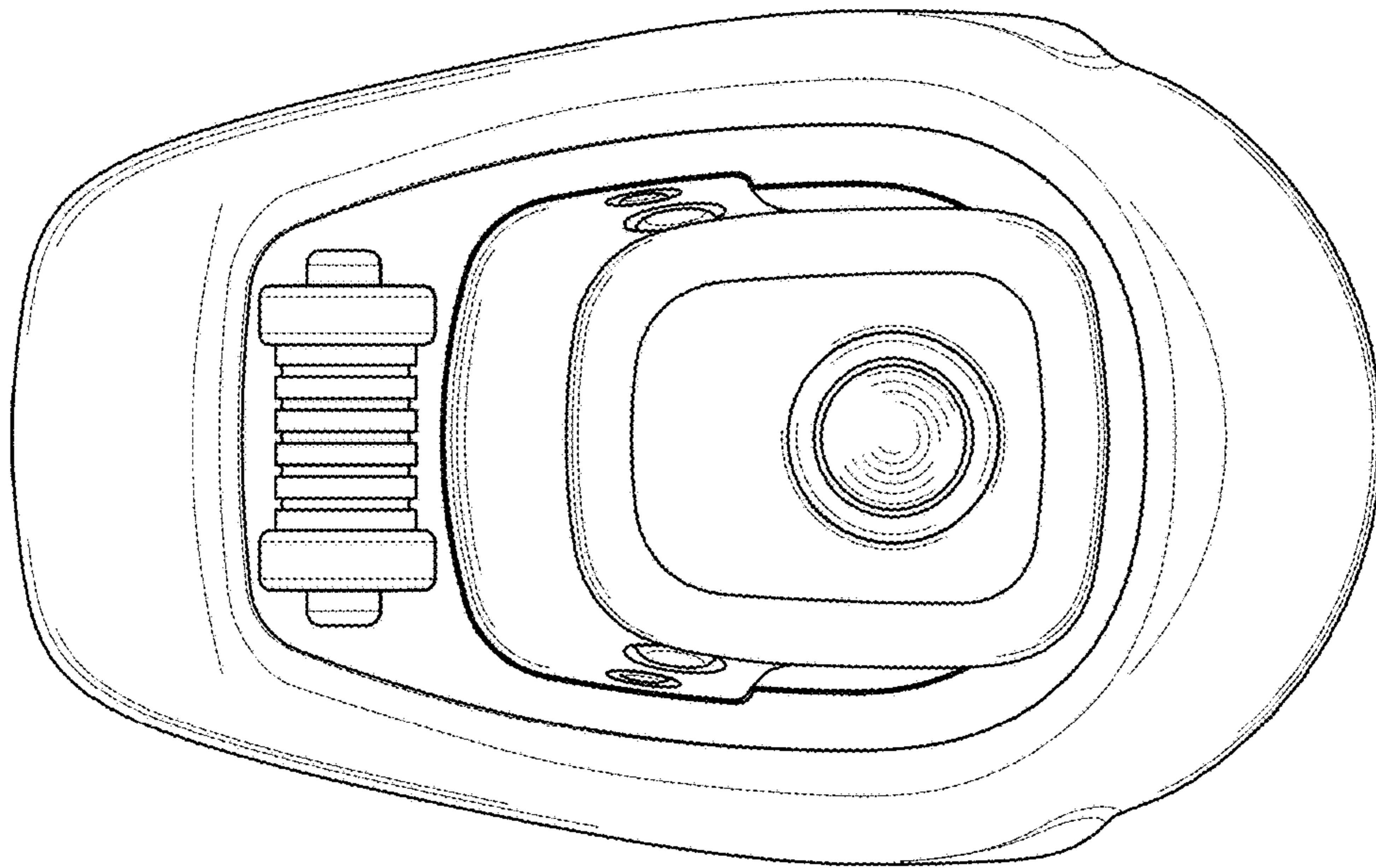


FIG. 17

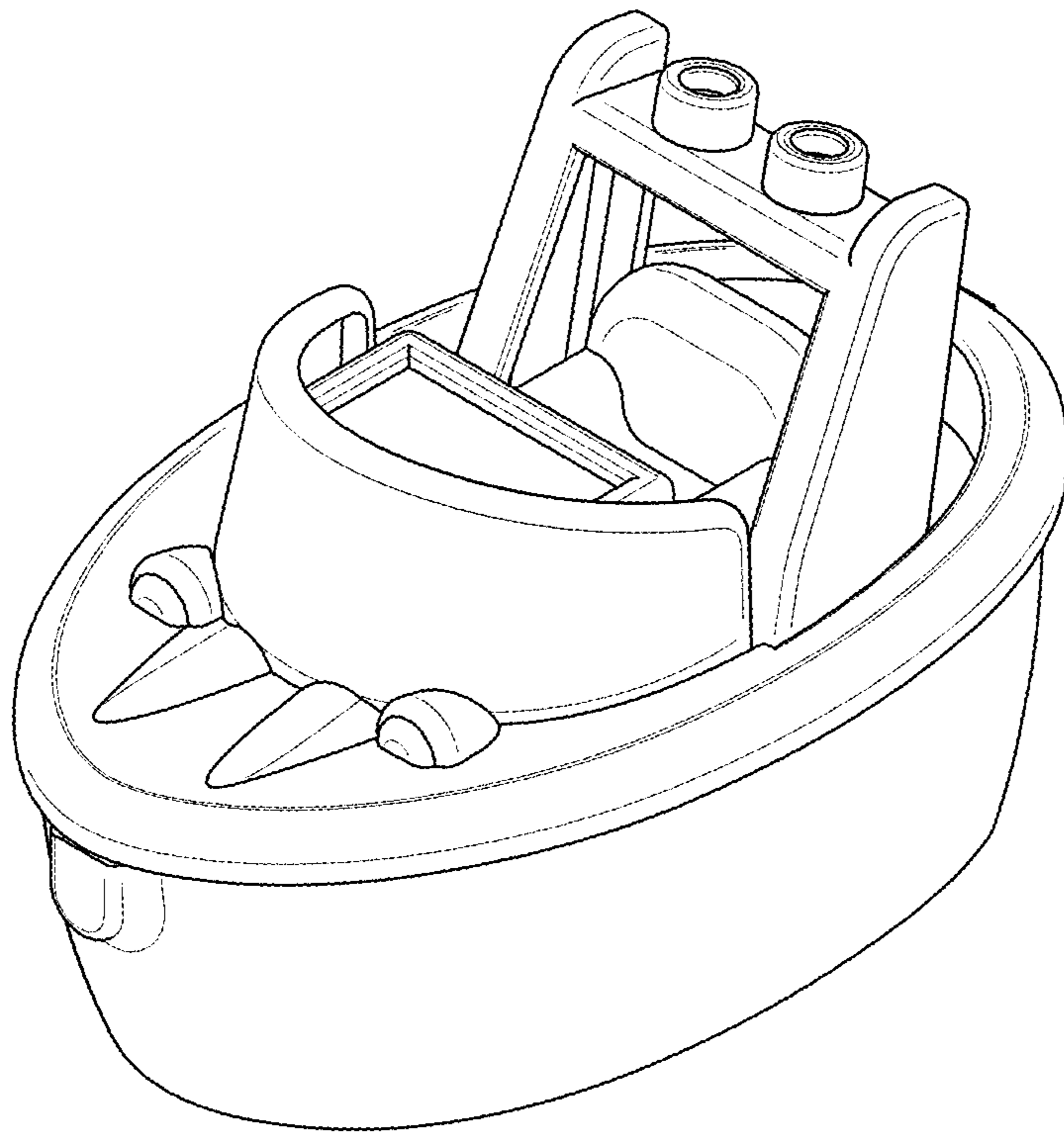


FIG. 19

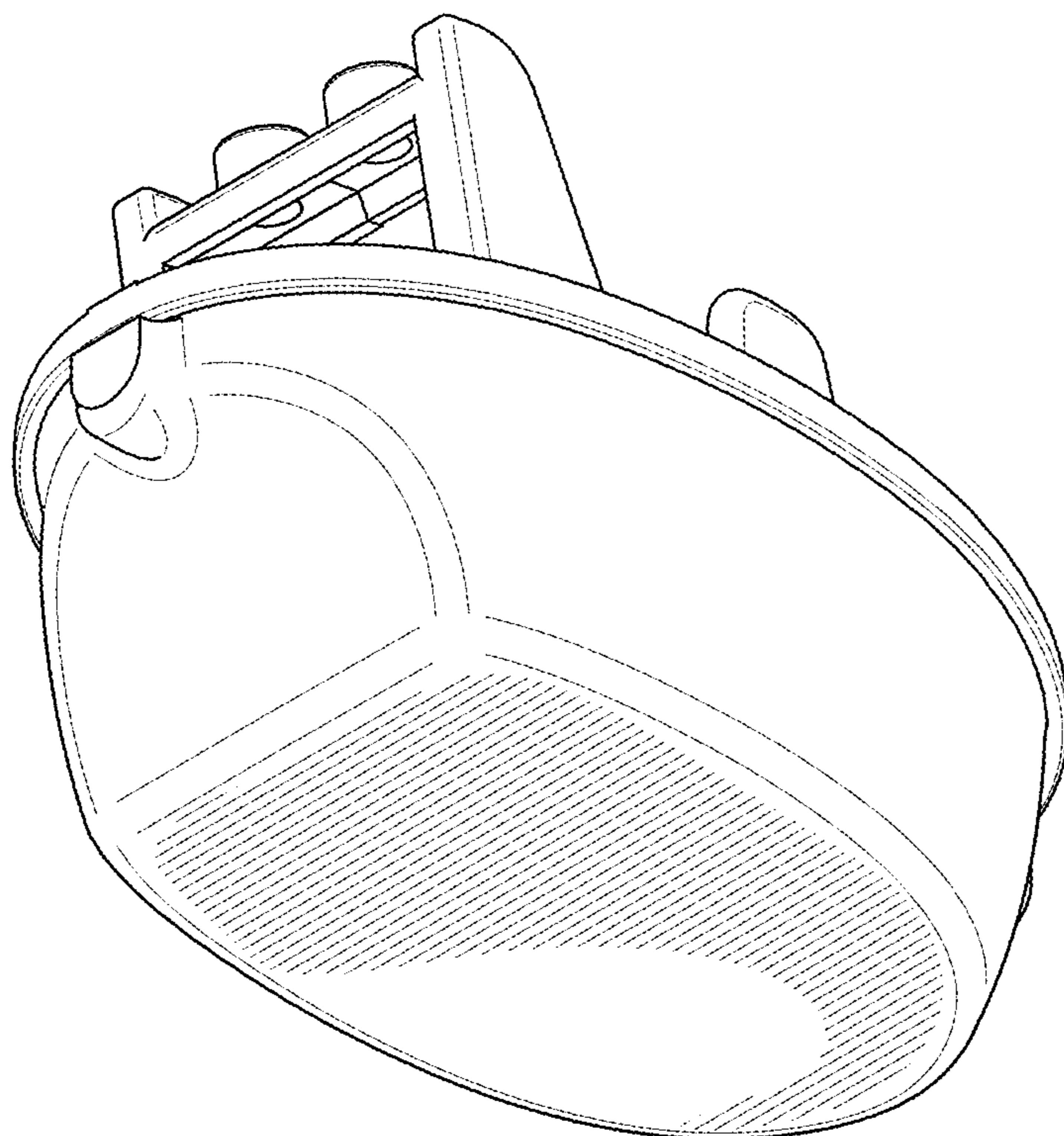


FIG. 20

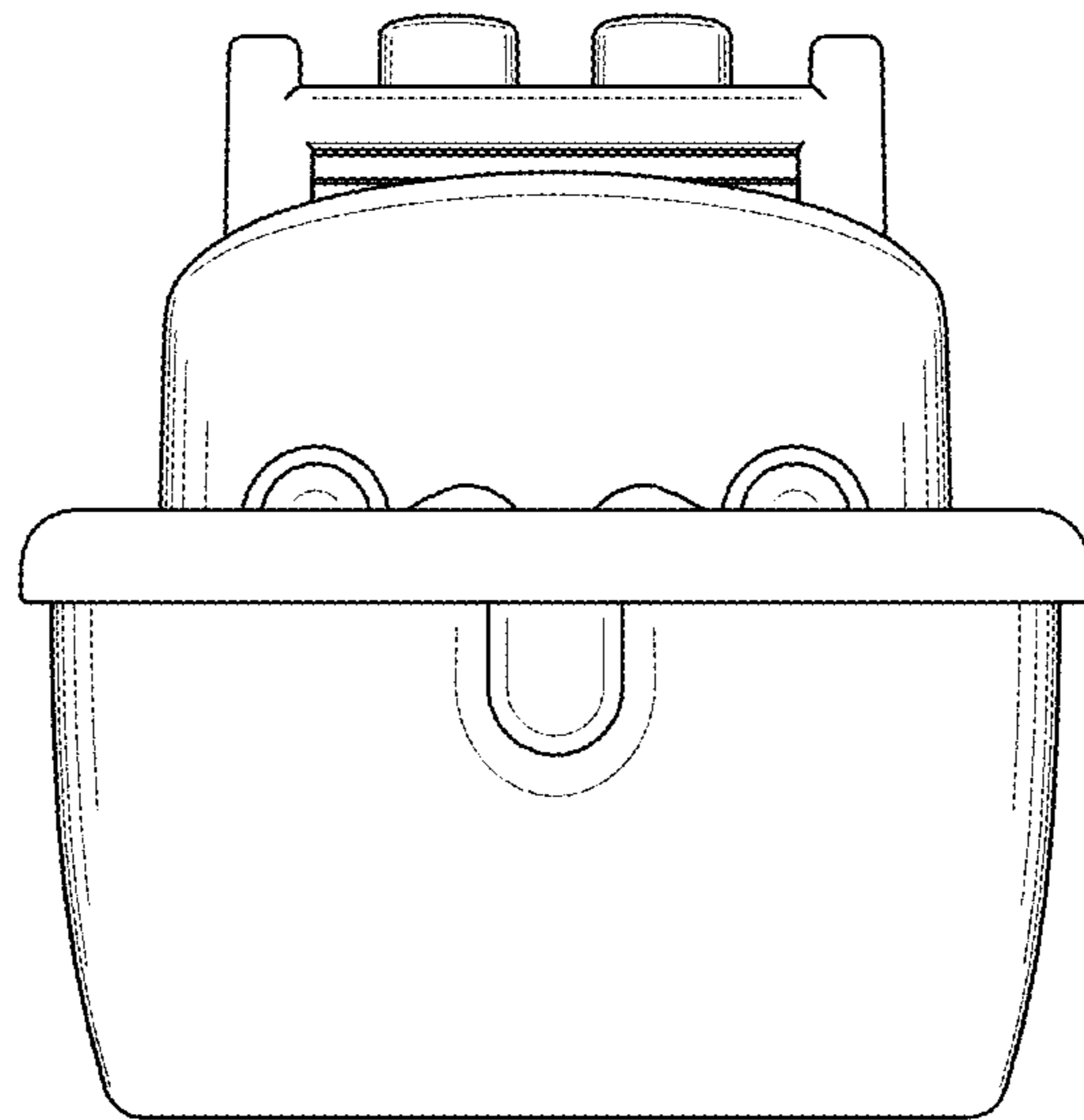


FIG. 21

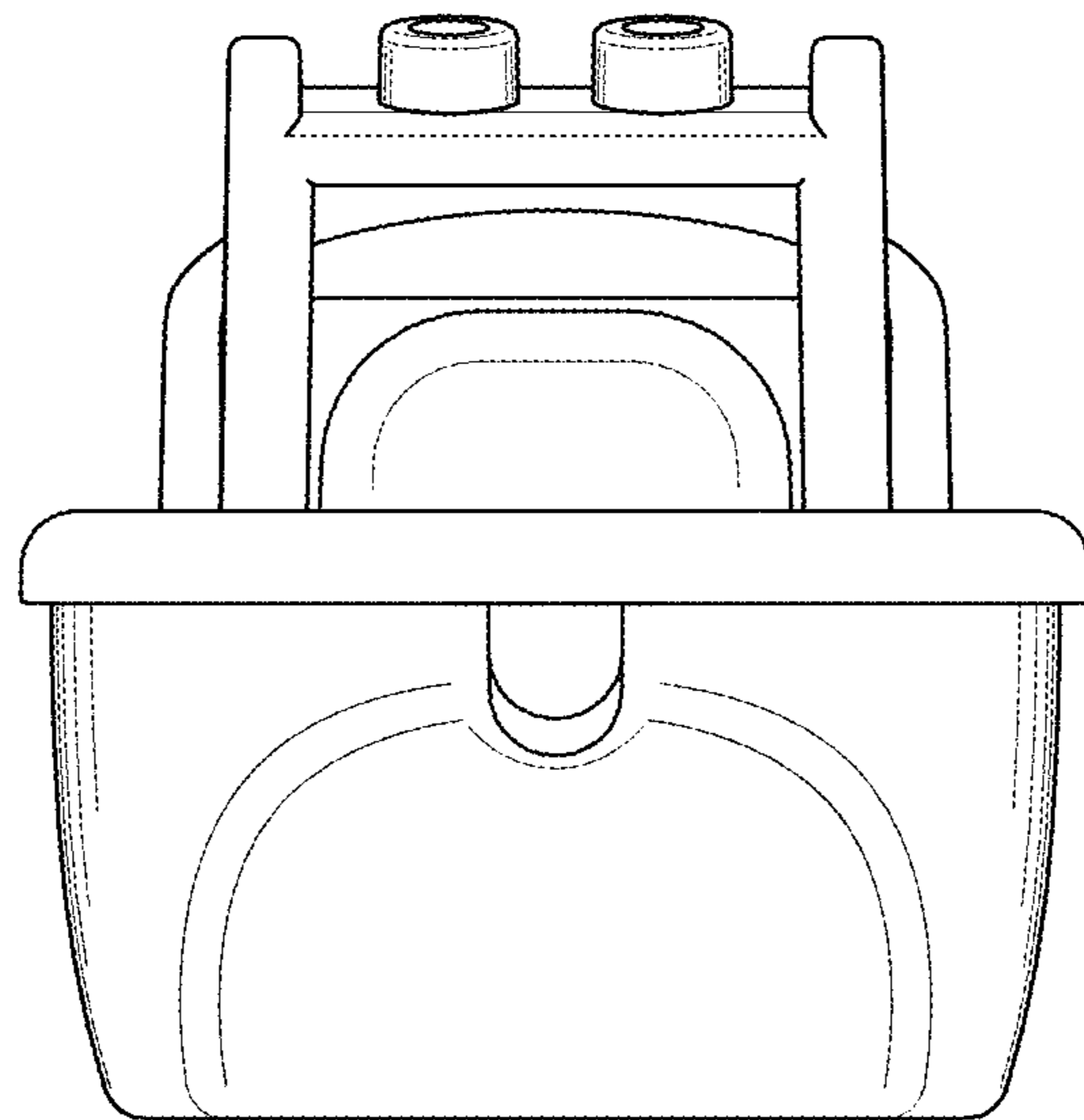


FIG. 22

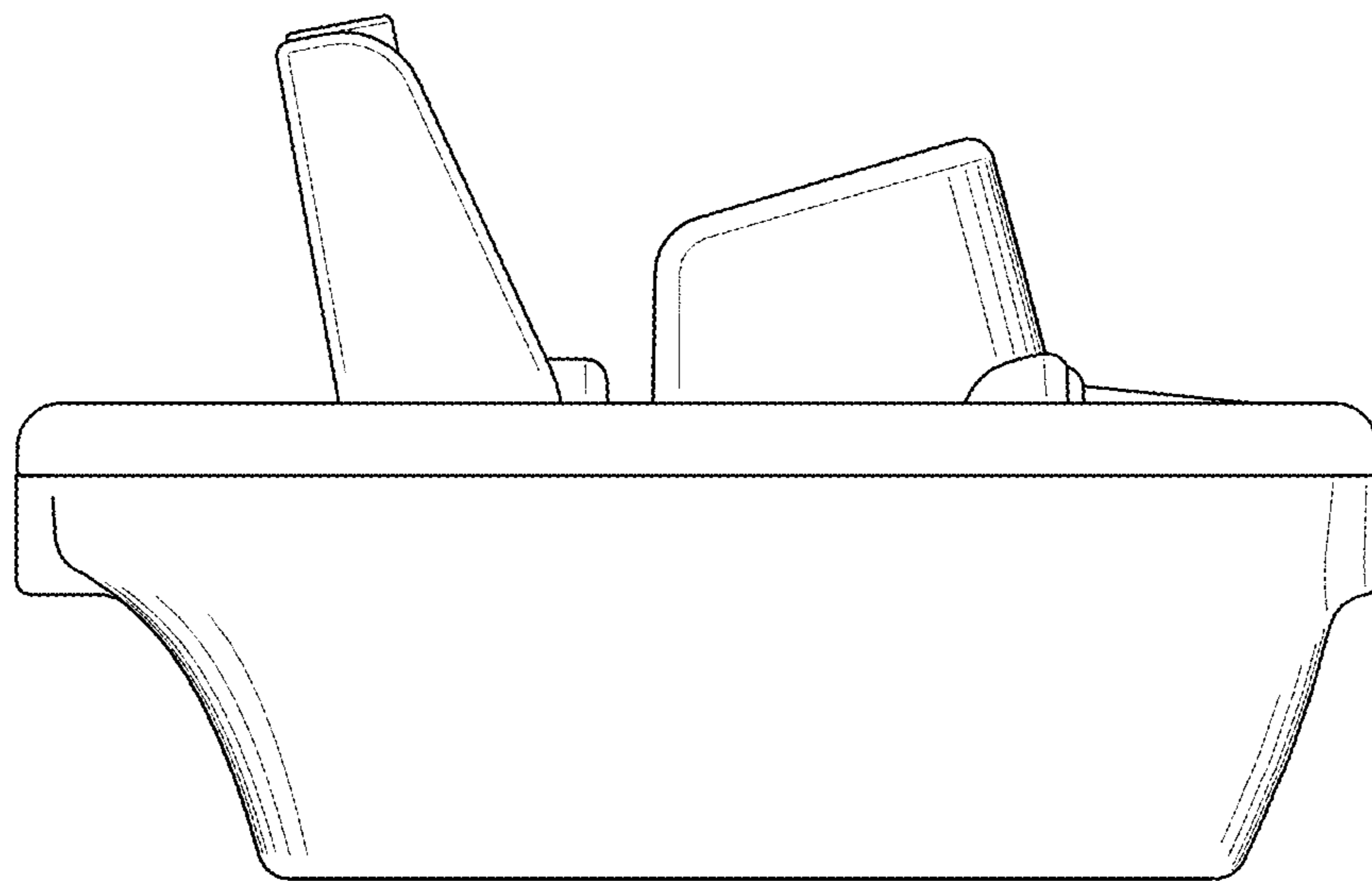


FIG. 23

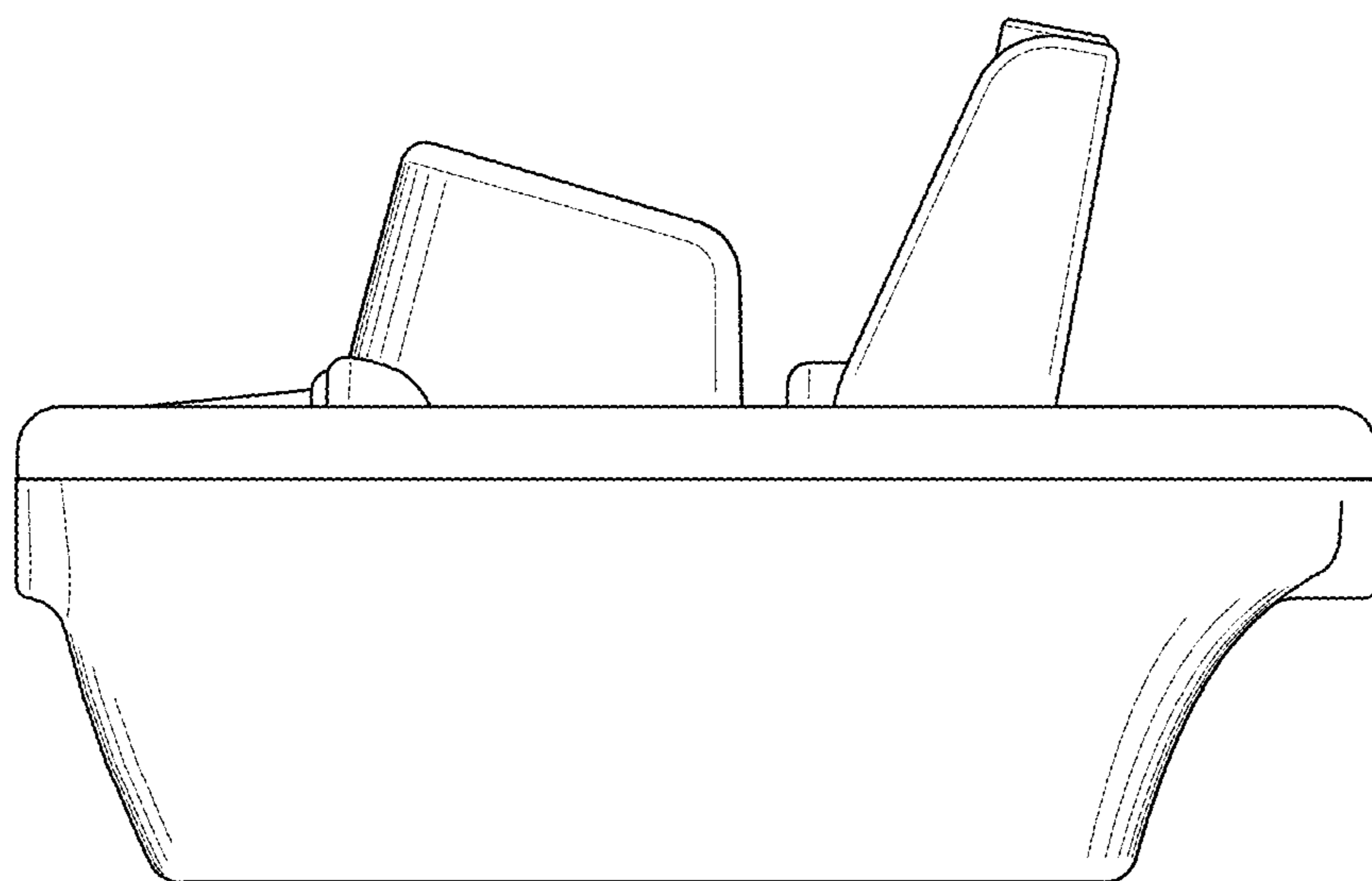


FIG. 24

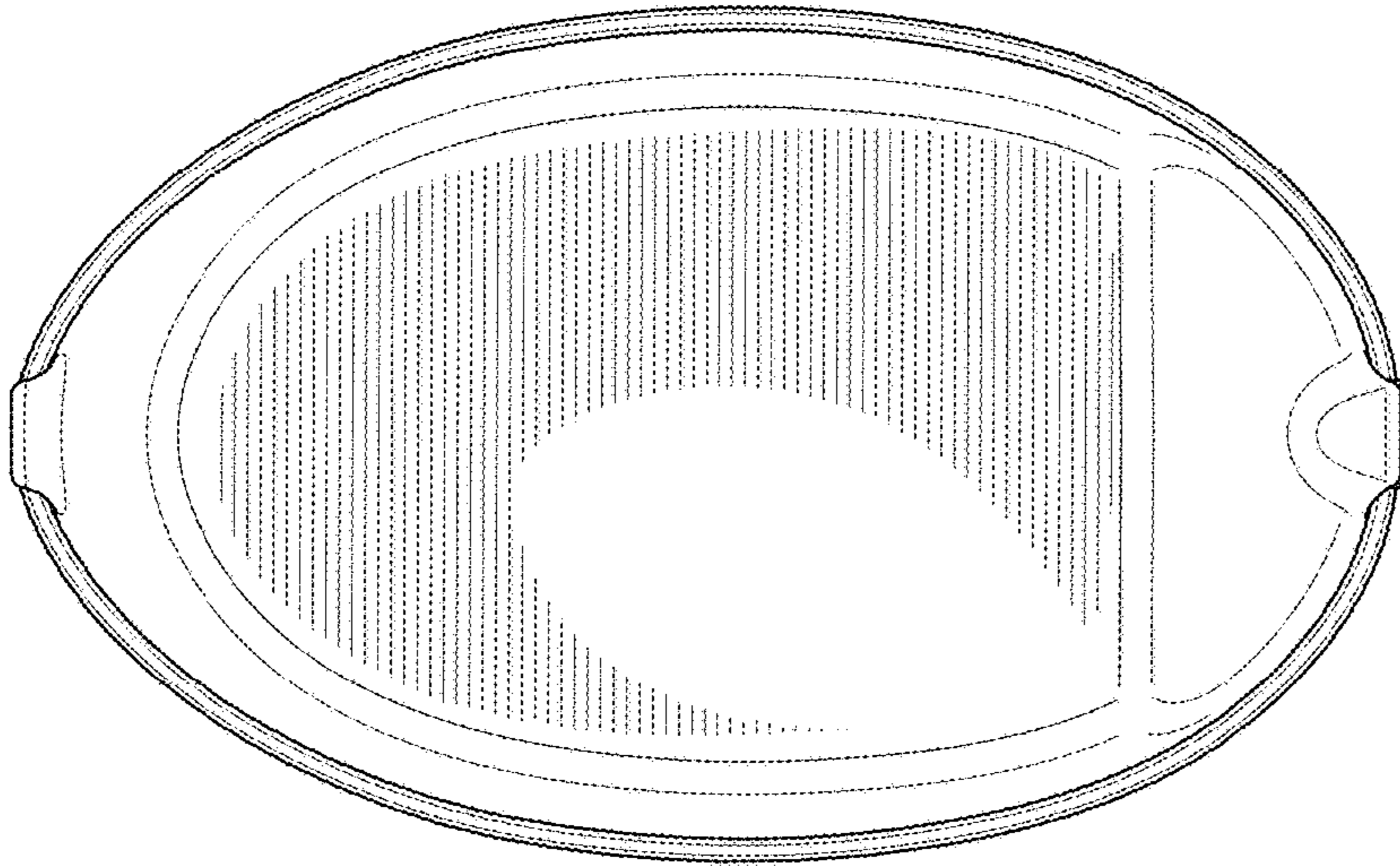


FIG. 26

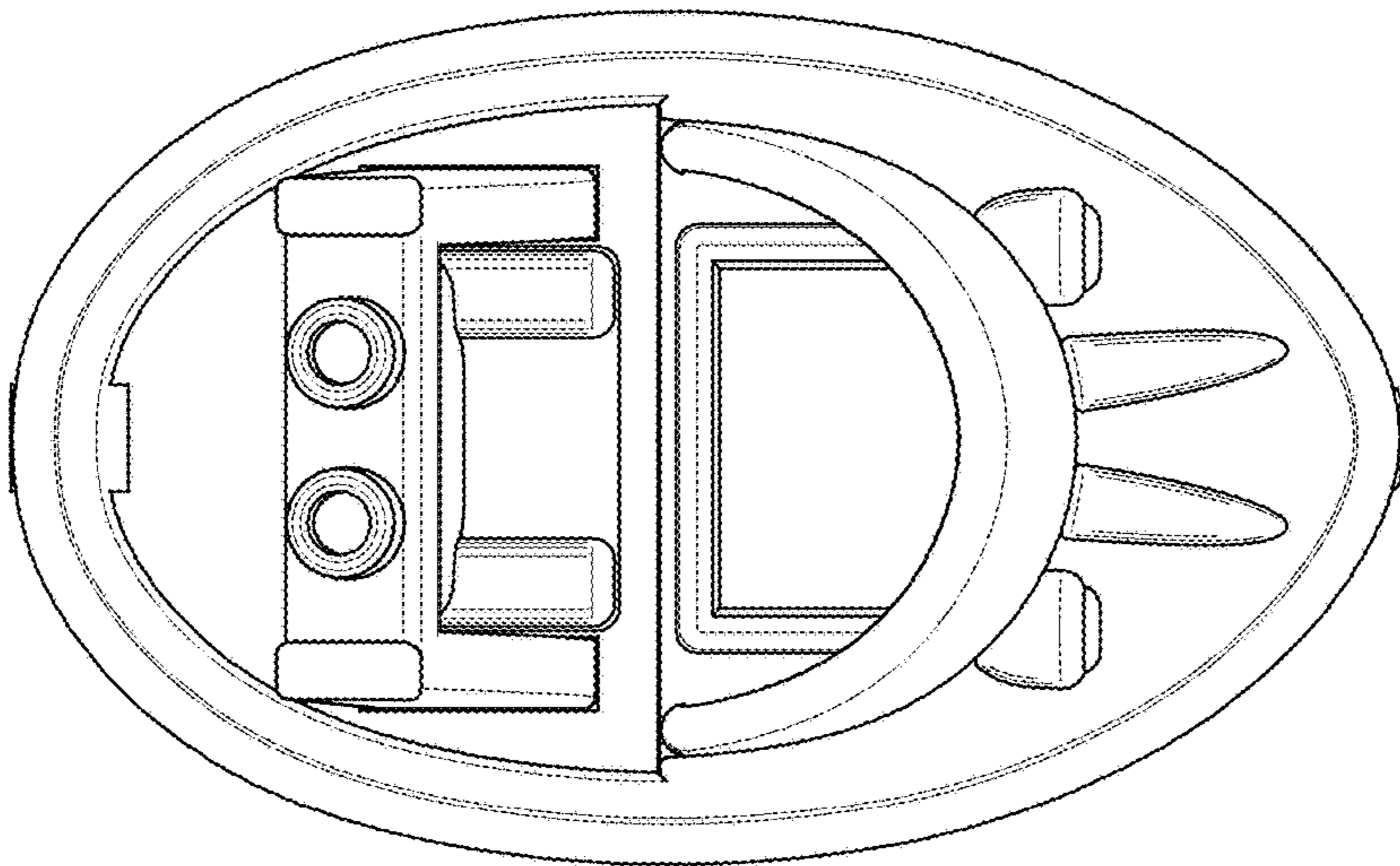


FIG. 25

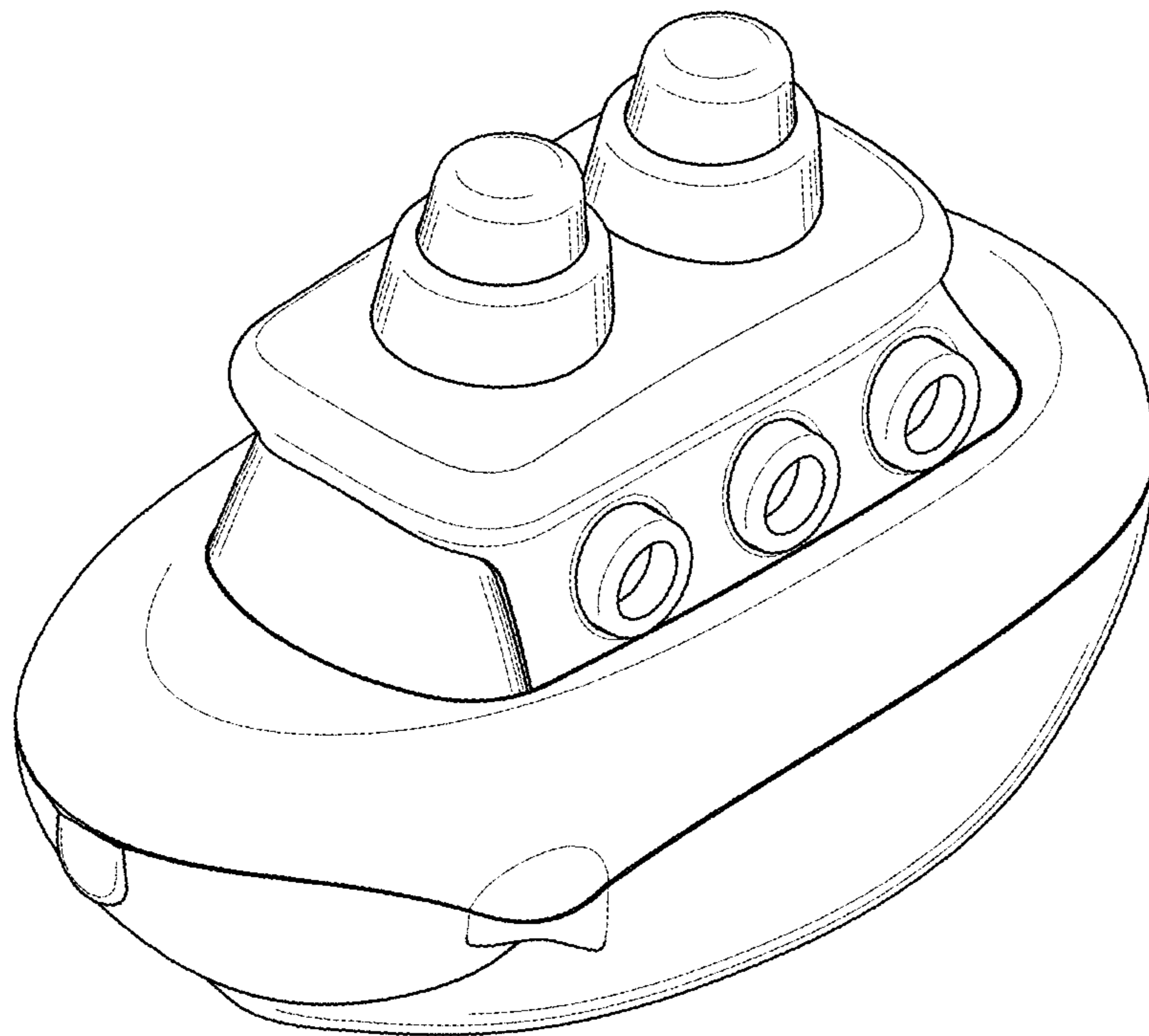


FIG. 27

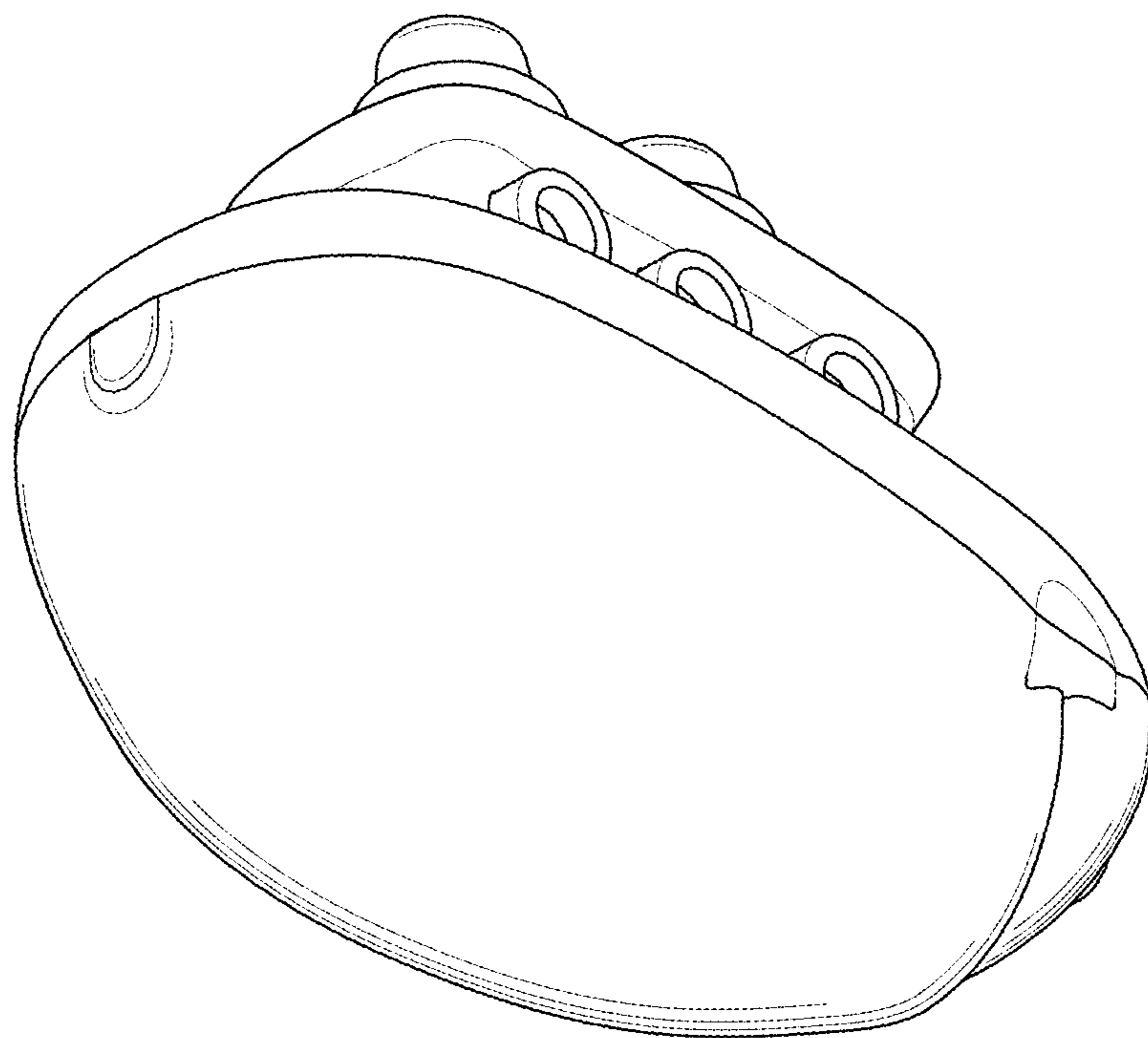


FIG. 28

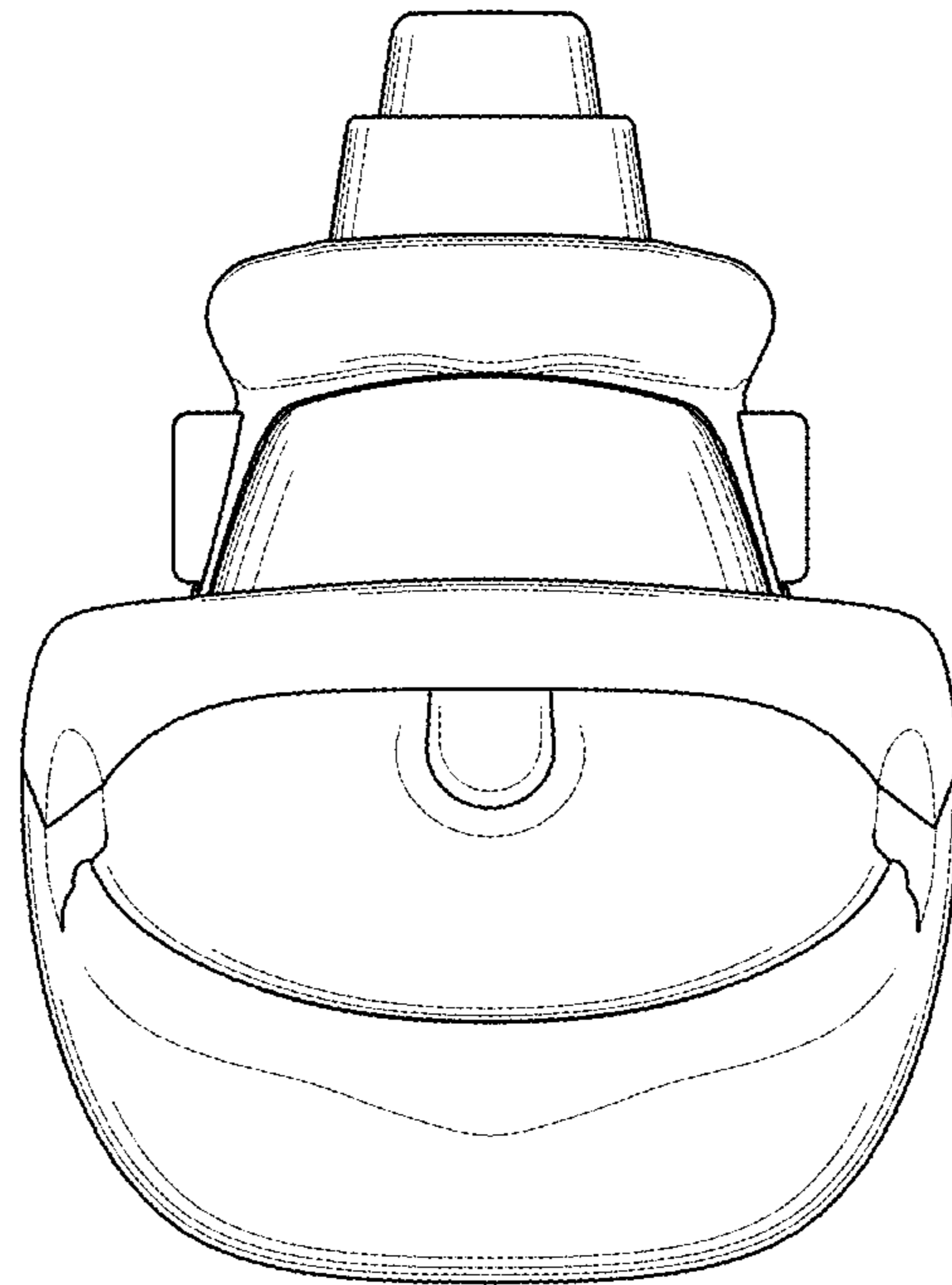


FIG. 29

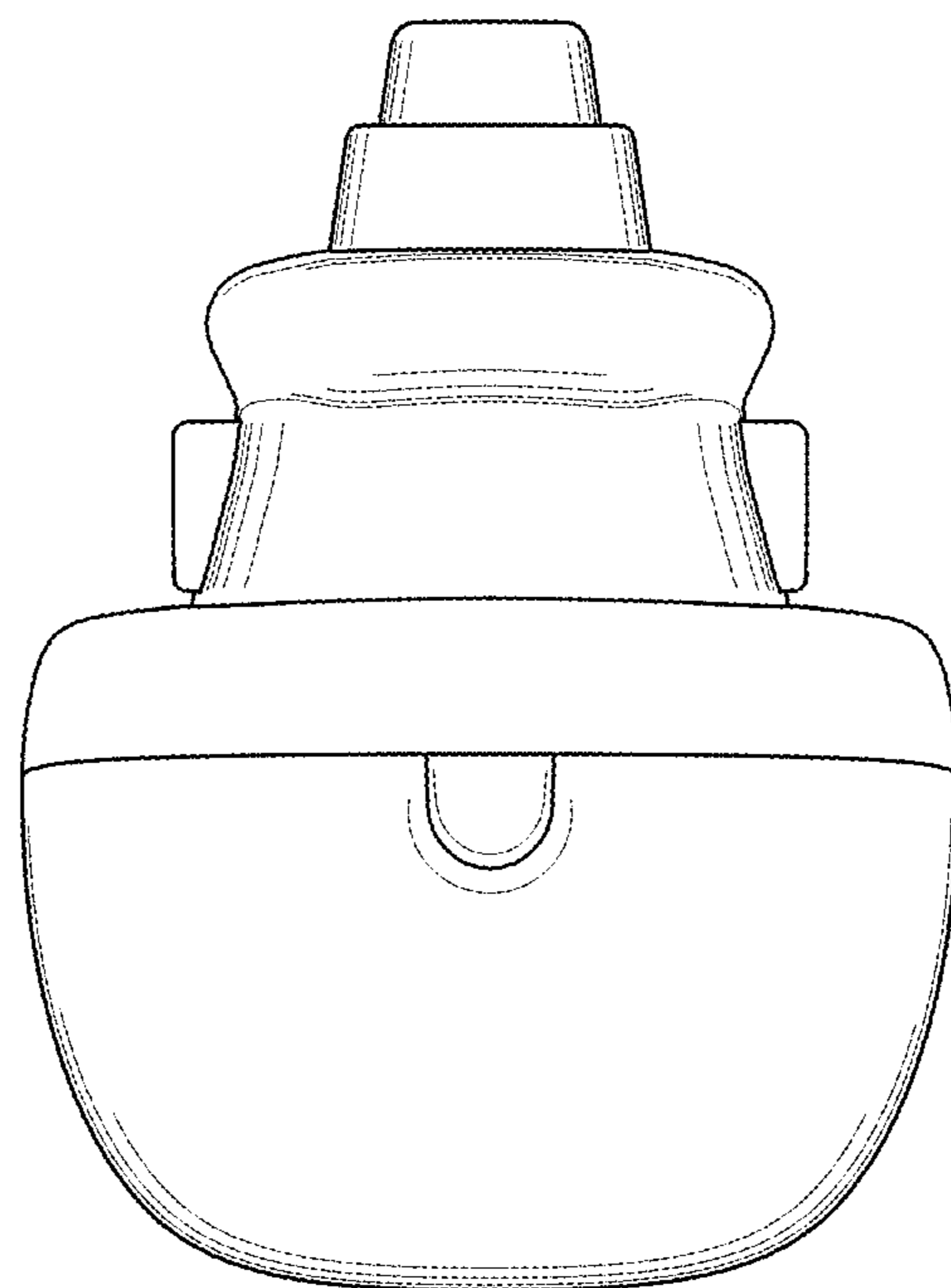


FIG. 30

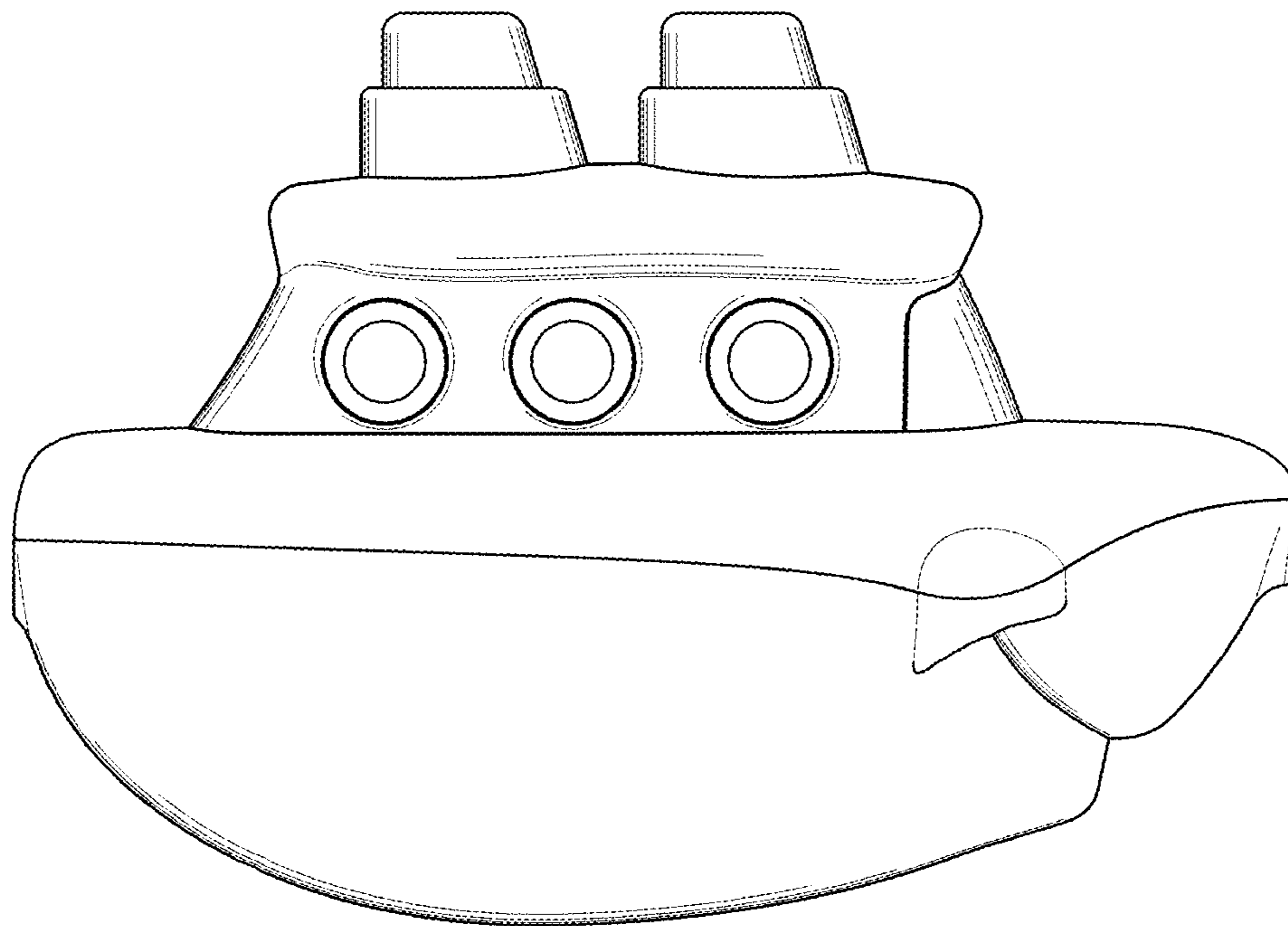


FIG. 31

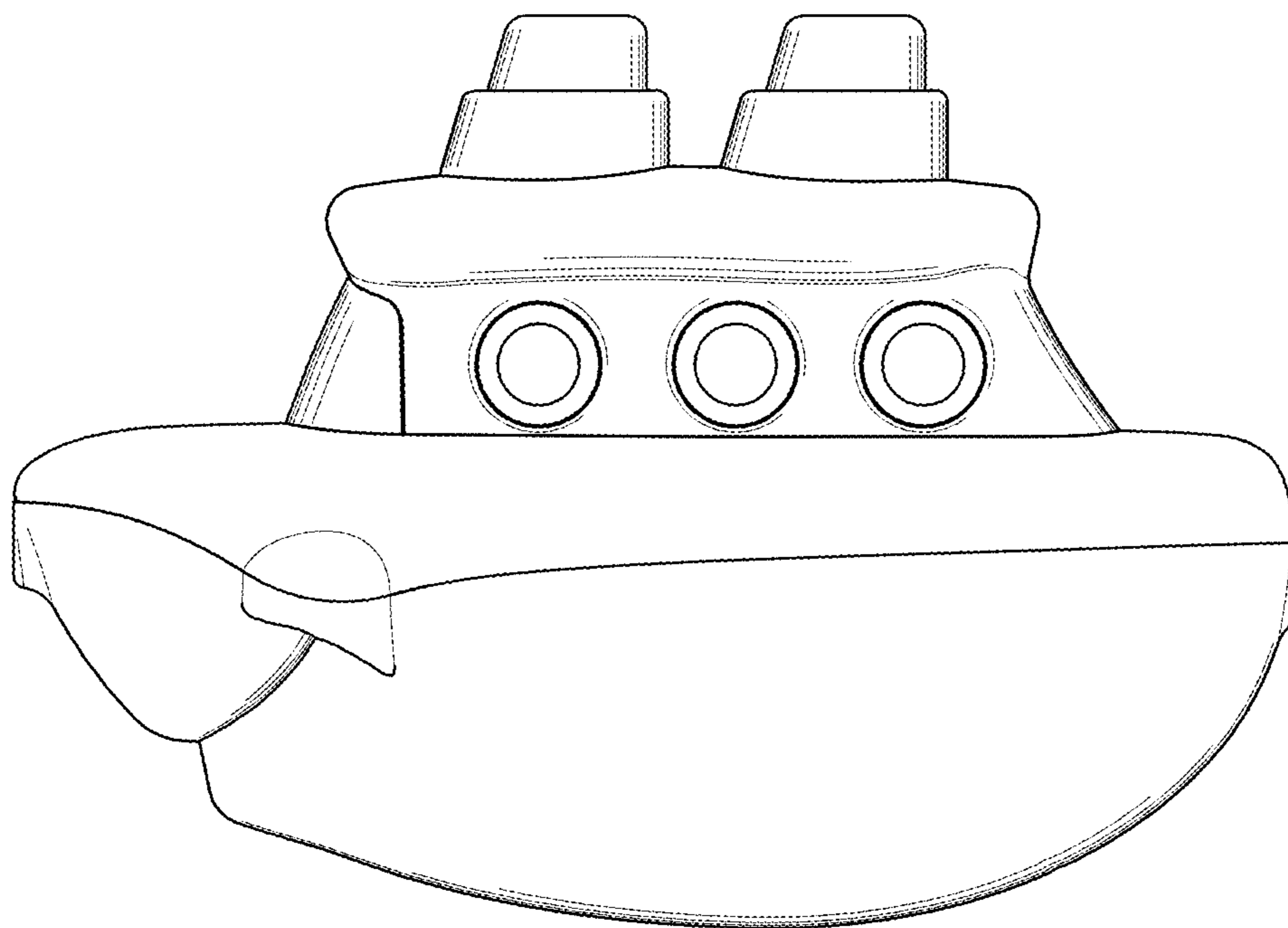


FIG. 32

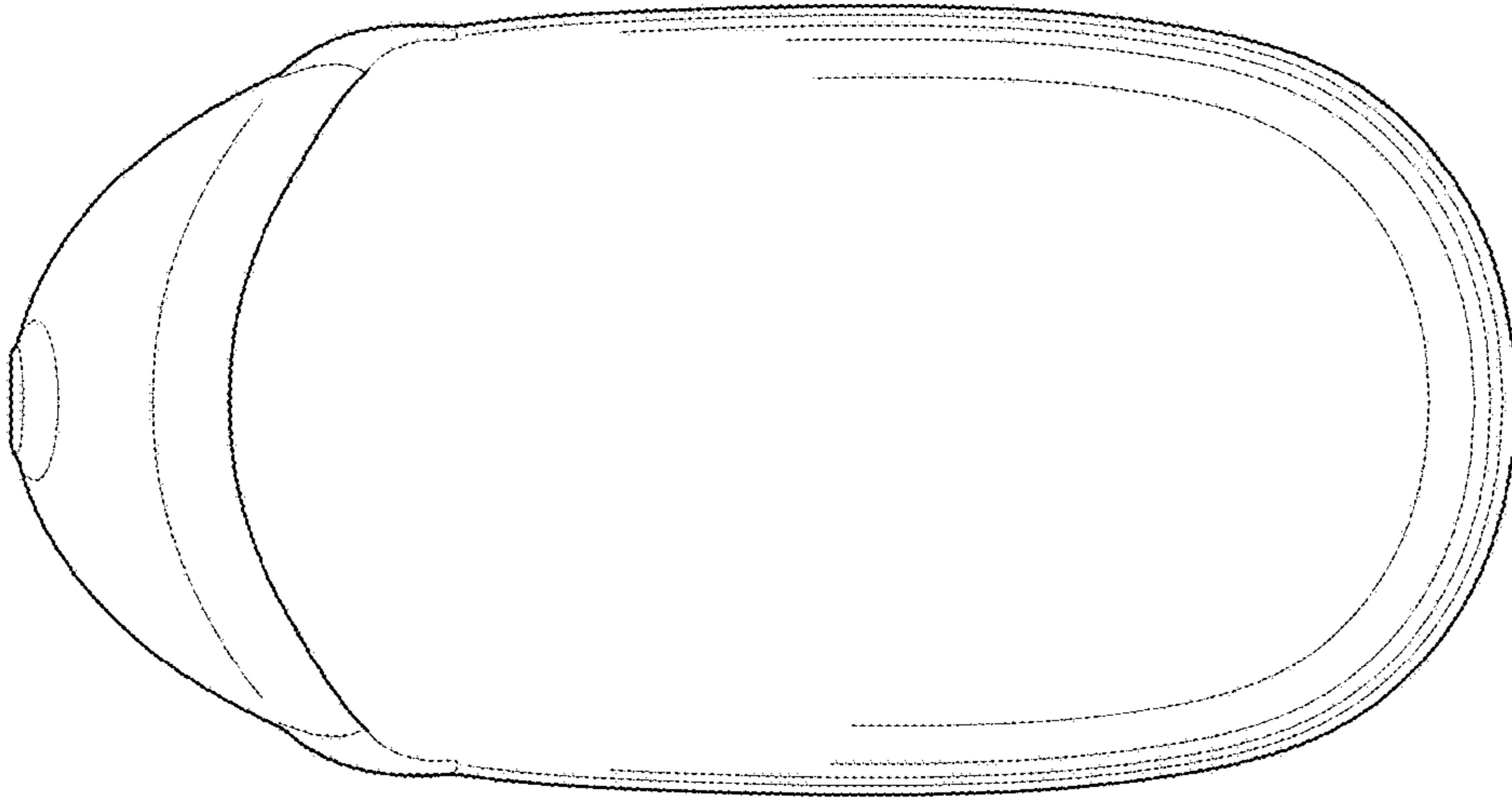


FIG. 34

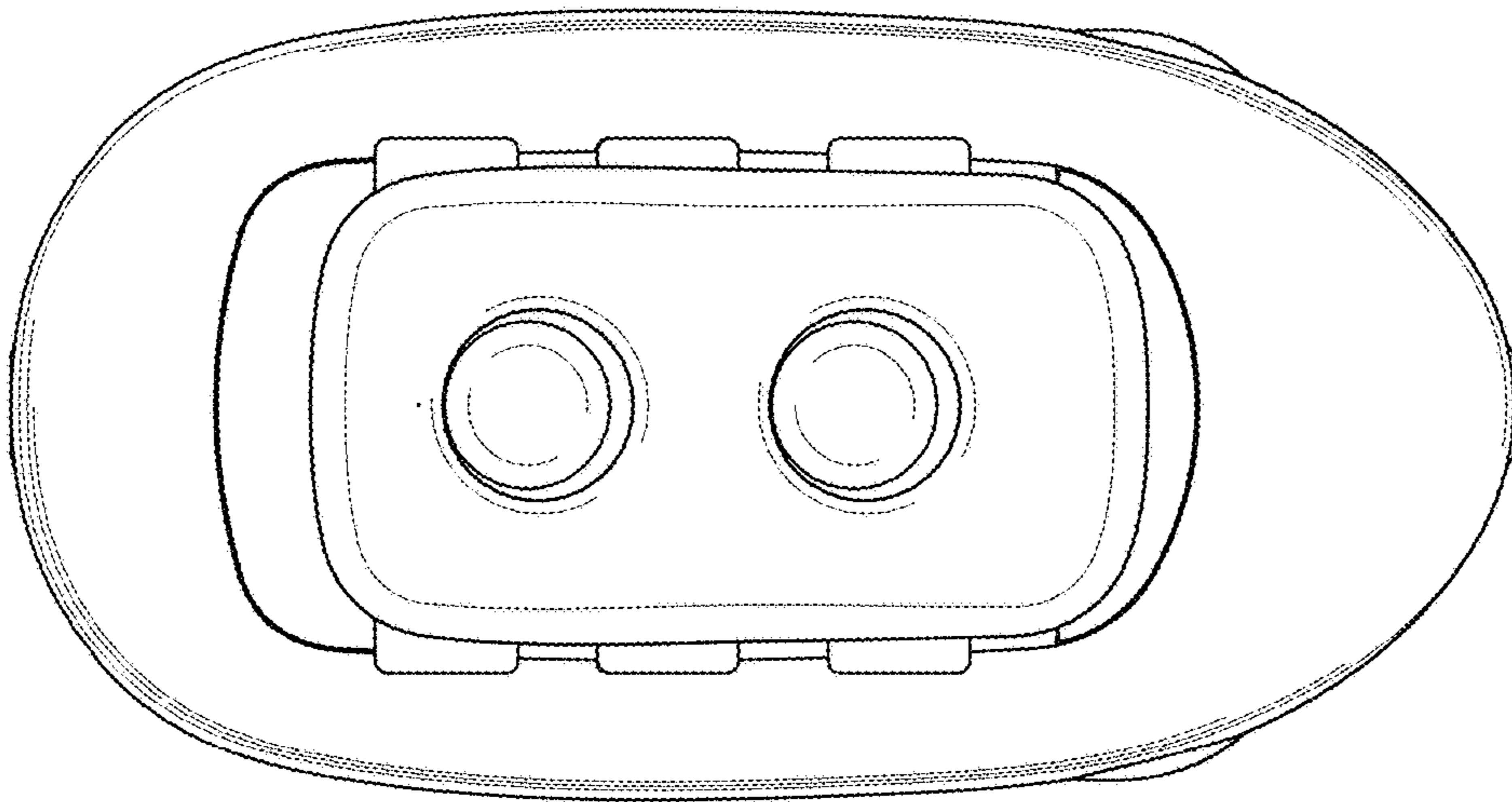


FIG. 33