



US00D796588S

(12) **United States Design Patent** (10) **Patent No.:** **US D796,588 S**  
**Poulus et al.** (45) **Date of Patent:** **\*\* Sep. 5, 2017**

(54) **BEAD**

(56) **References Cited**

(71) Applicant: **MOOSE CREATIVE MANAGEMENT PTY LIMITED**, Cheltenham (AU)

(72) Inventors: **Joost Sebastiaan Poulus**, Elsternwick (AU); **Nicholas St Clair Max Heine**, St Kilda West (AU); **Michael Boye Pagh**, Ringwood Nth. (AU)

U.S. PATENT DOCUMENTS

D373,151 S \* 8/1996 Mathiesen ..... D21/489  
 8,382,548 B2 \* 2/2013 Maggiore ..... A63H 33/062  
 446/120  
 8,961,259 B2 \* 2/2015 Maggiore ..... A63H 33/062  
 446/120  
 D755,901 S \* 5/2016 Chen ..... D21/484  
 D777,264 S \* 1/2017 Marcil ..... D21/491  
 2013/0183881 A1 7/2013 Kamiyama

(73) Assignee: **MOOSE CREATIVE MANAGEMENT PTY LIMITED**, Victoria (AU)

OTHER PUBLICATIONS

Product image (1 of 2) from Epoch Co., Ltd. for Aquabeads.  
Product image (2 of 2) from Epoch Co., Ltd. for Aquabeads.

(\*\*) Term: **15 Years**

\* cited by examiner

(21) Appl. No.: **29/528,988**

*Primary Examiner* — Michael A Pratt

(22) Filed: **Jun. 2, 2015**

(74) *Attorney, Agent, or Firm* — Knobbe Martens Olson & Bear, LLP

(51) **LOC (10) Cl.** ..... **21-01**

(57) **CLAIM**

(52) **U.S. Cl.**  
USPC ..... **D21/484**

The ornamental design for a bead, as shown and described.

(58) **Field of Classification Search**

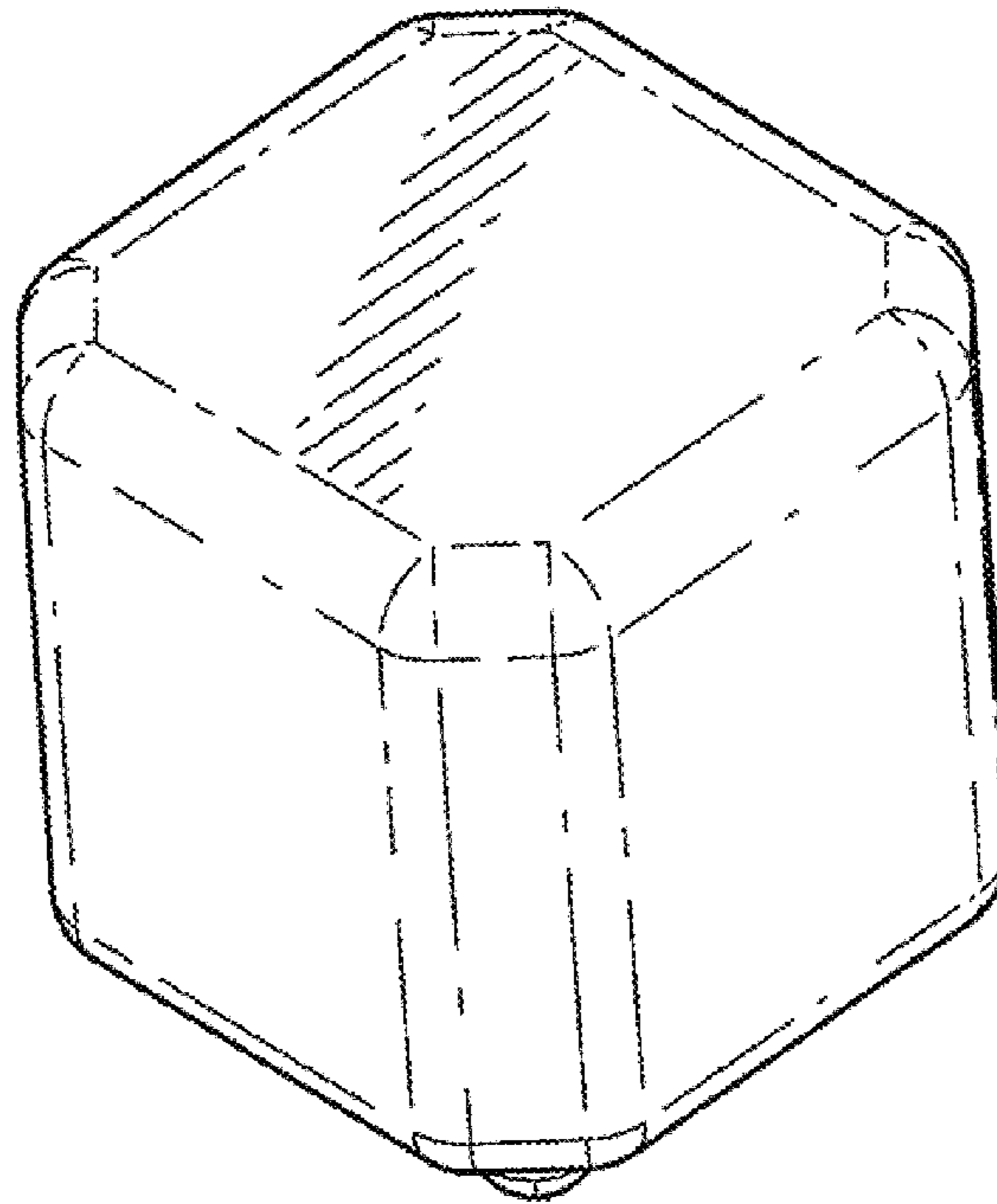
**DESCRIPTION**

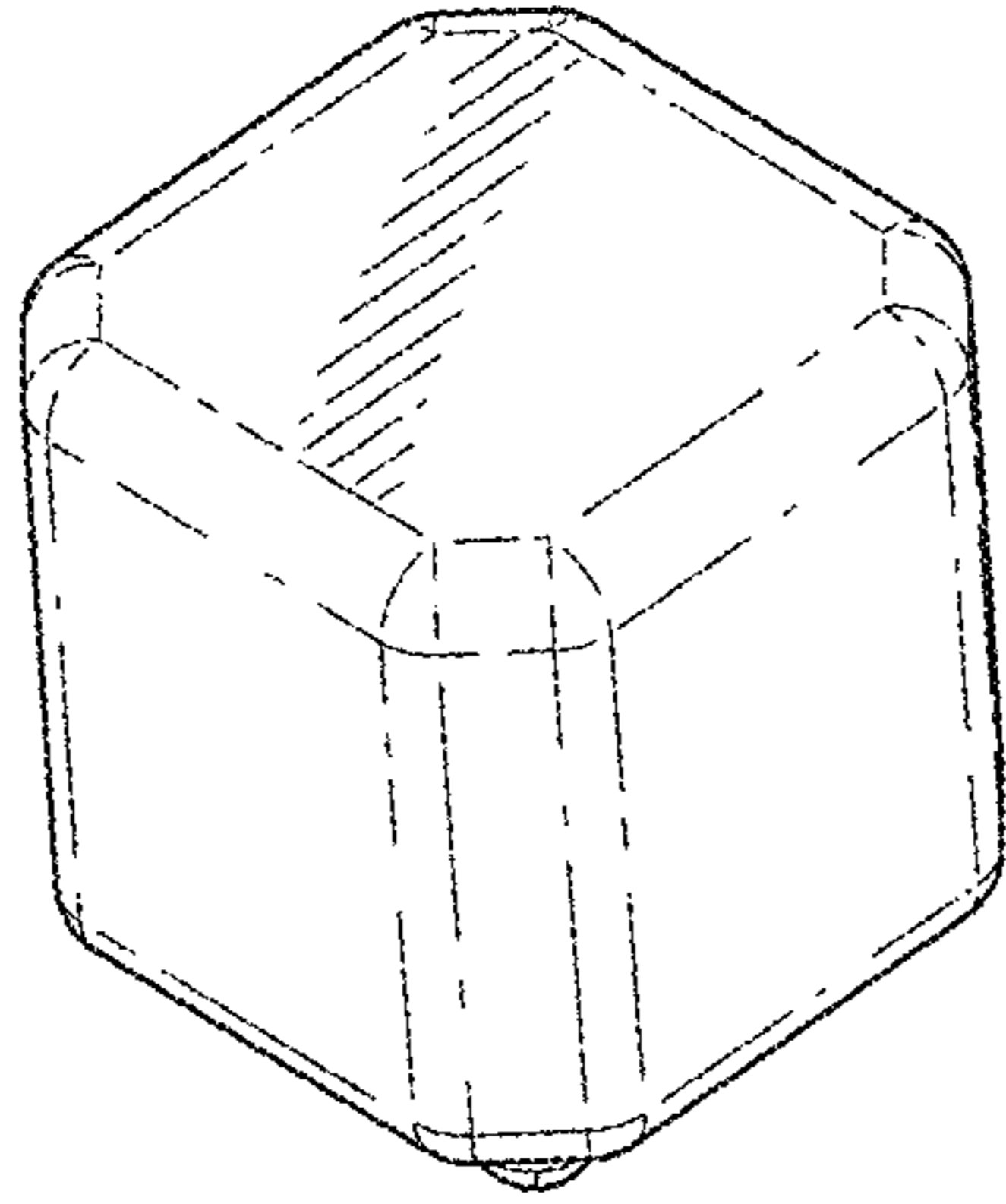
USPC ..... D21/386, 389, 404, 468, 470, 471, D21/484–505  
 CPC ..... E04C 1/40; E04B 2/14; E04B 2/16; E04B 2/18; A63H 33/00; A63H 33/04; A63H 33/044; A63H 33/06; A63H 33/08; A63H 33/084; A63H 33/086; A63H 33/088; A63H 33/10; A63H 33/12; A63H 33/105; A63H 33/108; A63H 3/00; A63H 3/16; A63H 3/46

FIG. 1 is a top perspective view of a bead incorporating the design of the present invention;  
 FIG. 2 is a front side view thereof;  
 FIG. 3 is a top view thereof;  
 FIG. 4 is a bottom view thereof; and,  
 FIG. 5 is a bottom perspective view thereof.  
 A single side view is provided as the other sides are symmetric.

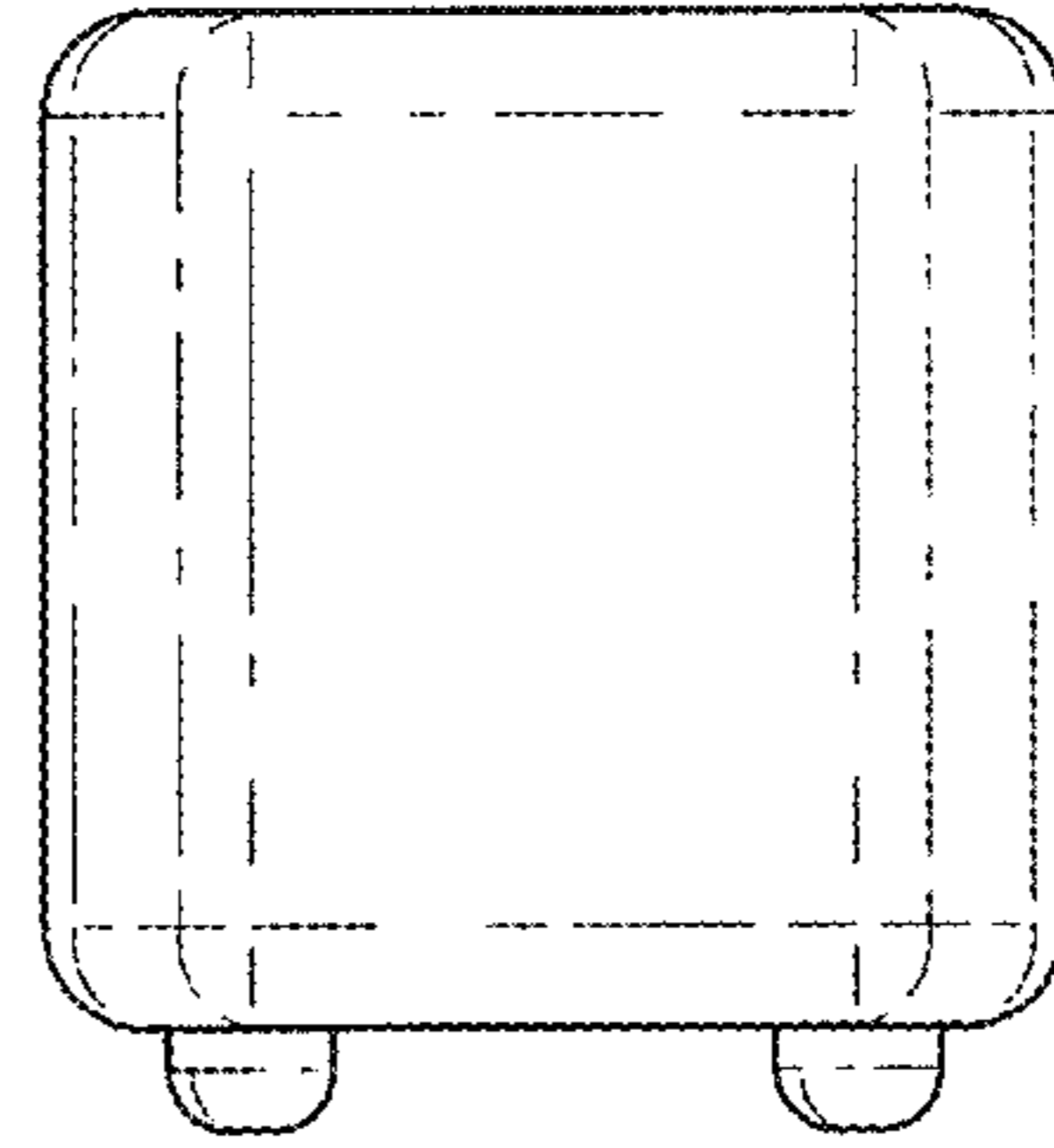
See application file for complete search history.

**1 Claim, 1 Drawing Sheet**

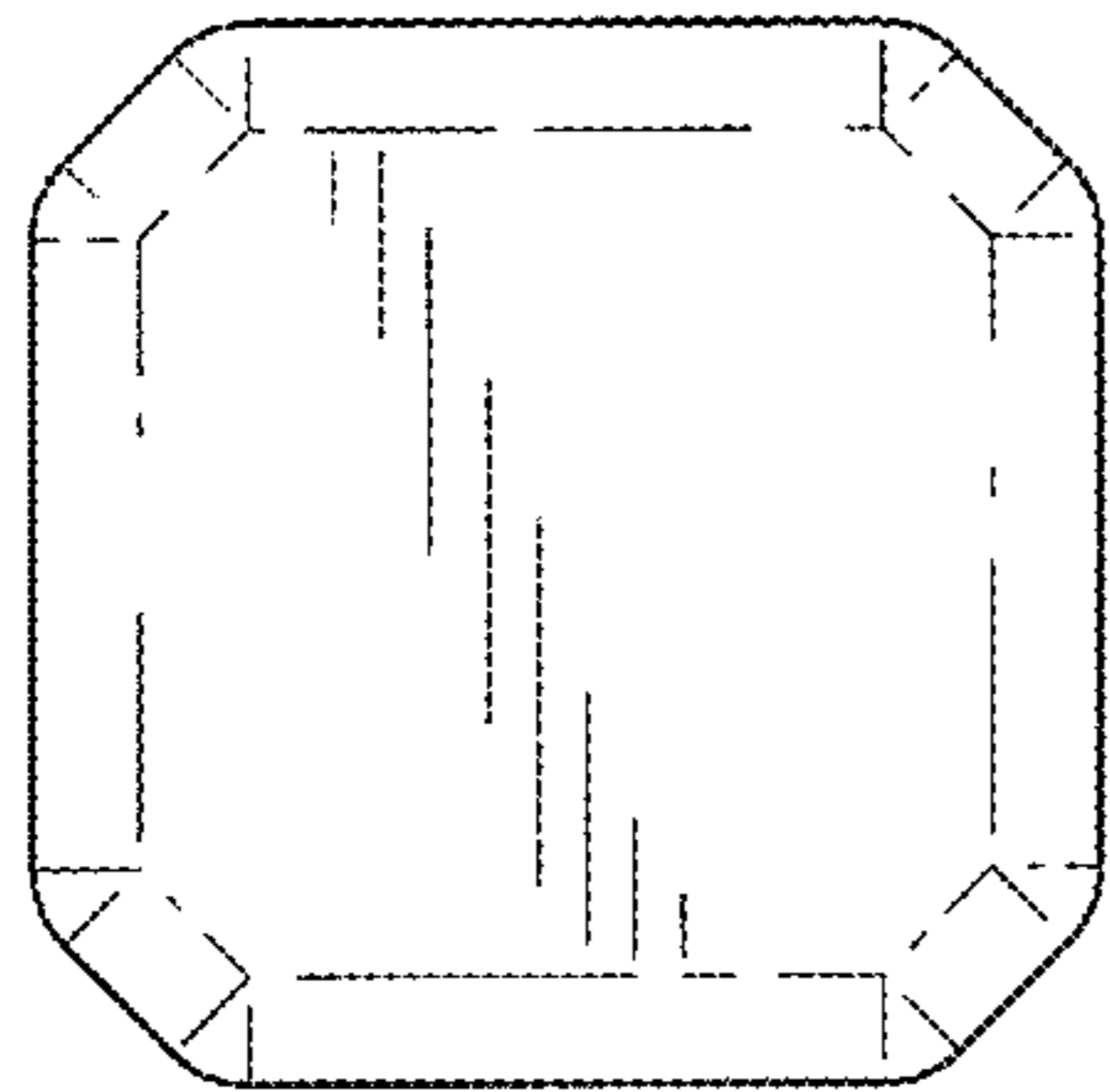




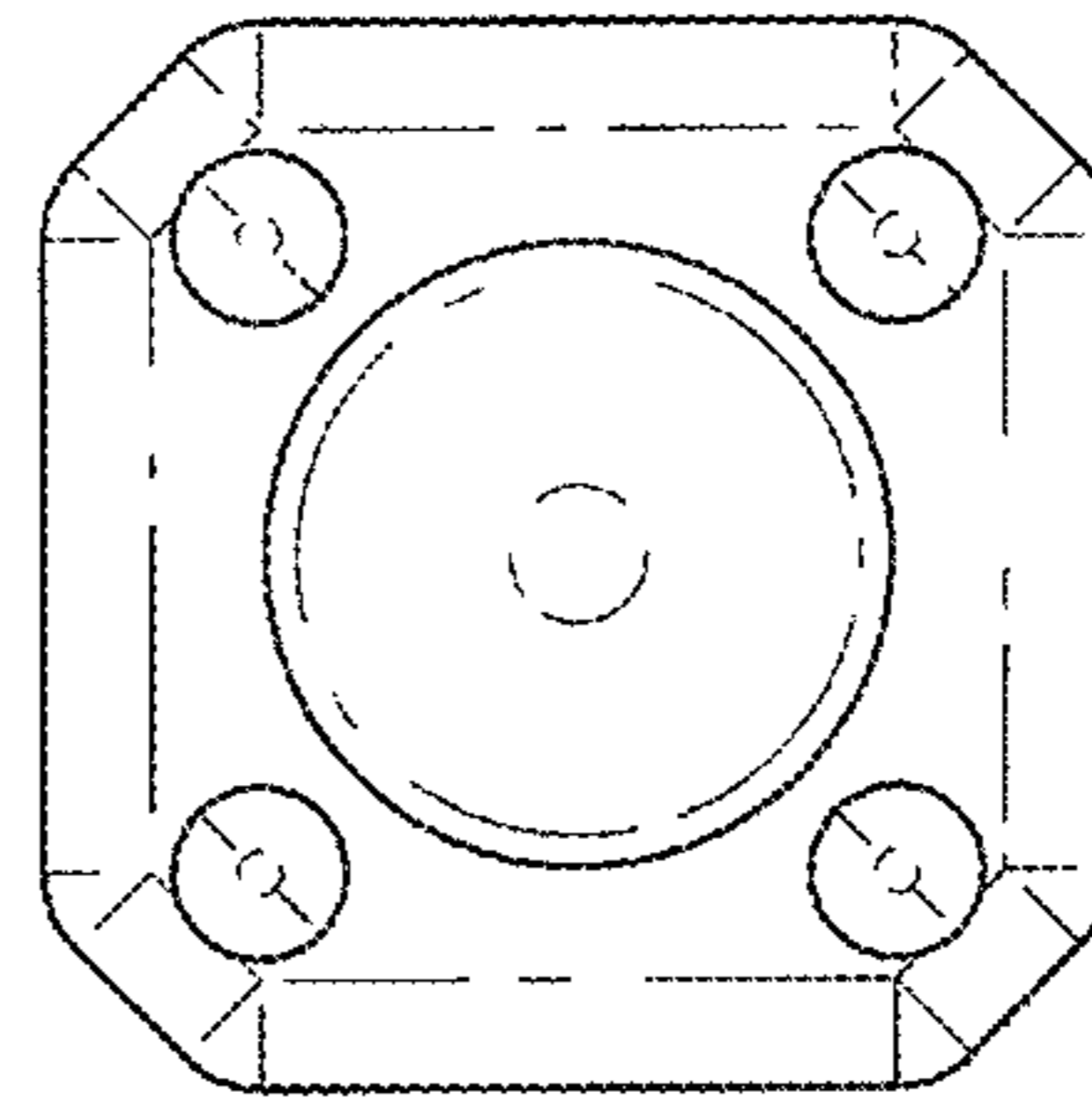
*FIG. 1*



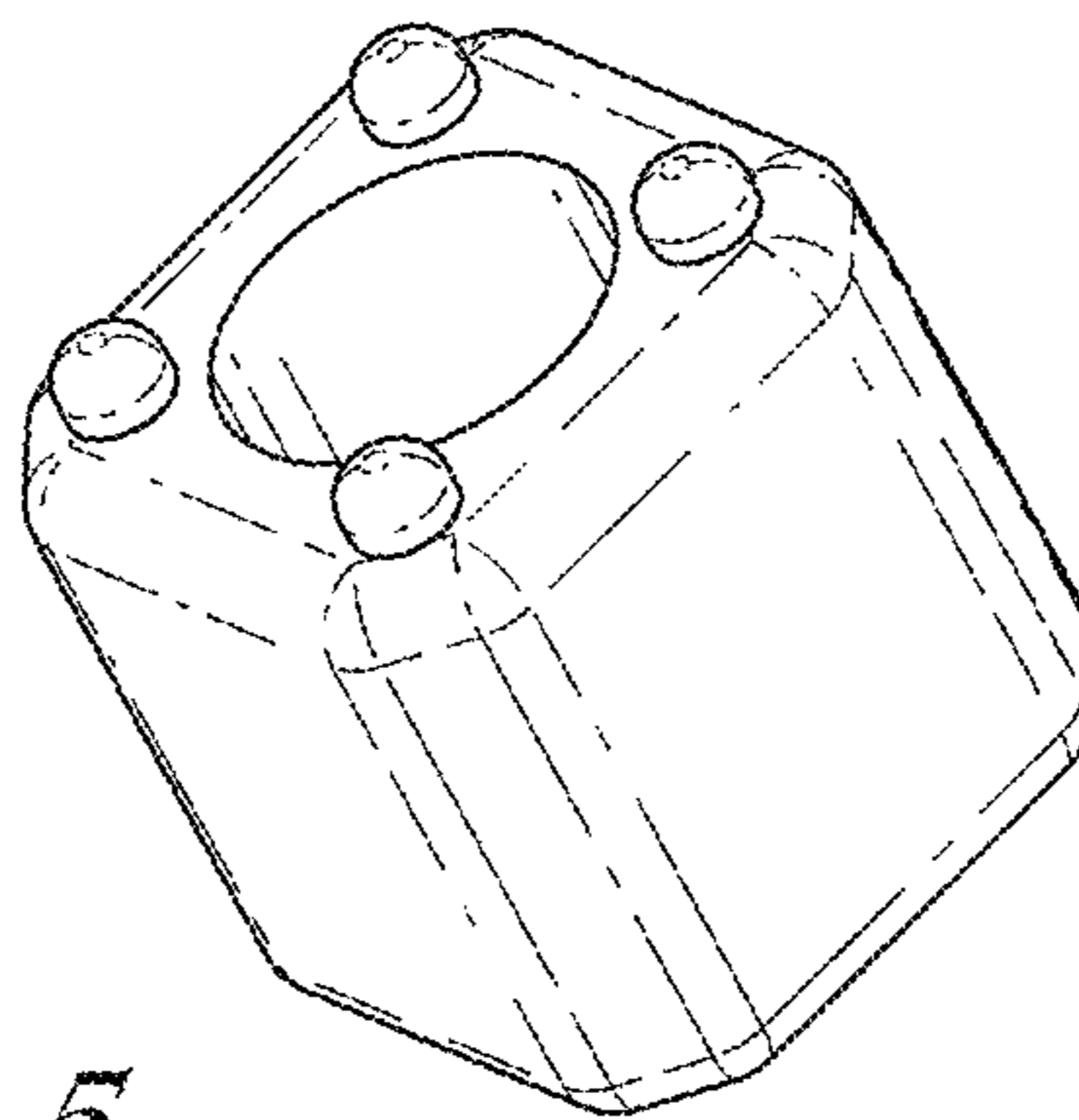
*FIG. 2*



*FIG. 3*



*FIG. 4*



*FIG. 5*