



US00D796586S

(12) **United States Design Patent** (10) **Patent No.:** **US D796,586 S**
Chen et al. (45) **Date of Patent:** **** Sep. 5, 2017**

- (54) **AERIAL VEHICLE**
- (71) Applicant: **SZ DJI Technology Co., Ltd.**,
Shenzhen (CN)
- (72) Inventors: **Shaojie Chen**, Shenzhen (CN); **Zhen Wang**, Shenzhen (CN); **Jiangang Feng**,
Shenzhen (CN)
- (73) Assignee: **SZ DJI Technology Co., Ltd.**,
Shenzhen (CN)
- (**) Term: **15 Years**
- (21) Appl. No.: **29/582,176**
- (22) Filed: **Oct. 25, 2016**
- (51) **LOC (10) Cl.** **21-01**
- (52) **U.S. Cl.**
USPC **D21/441**; D12/16.1
- (58) **Field of Classification Search**
USPC D12/16.1, 319-345; D21/436, 441, 442,
D21/443, 446, 447, 448, 449, 450, 451,
D21/452, 453, 454
CPC ... B64C 27/20; B64C 27/08; B64C 2201/104;
B64C 2201/021; B64C 2201/128; B64C
2201/024; B64C 2201/141; B64C
2201/108; B64C 39/024
See application file for complete search history.

9,221,536	B2	12/2015	Wang et al.	
9,221,537	B2	12/2015	Wang et al.	
9,233,754	B1	1/2016	Wang et al.	
9,277,130	B2	3/2016	Wang et al.	
9,284,049	B1	3/2016	Wang et al.	
D754,242	S	4/2016	Wang	
D759,764	S *	6/2016	Lai	D12/16.1
D760,848	S *	7/2016	McKenna	D12/16.1
9,394,048	B2 *	7/2016	Wang	B64C 27/08
D763,134	S *	8/2016	Wang	D12/16.1
2005/0135078	A1	6/2005	Hamada et al.	
2007/0122138	A1	5/2007	Sugiyama	
2016/0083110	A1	3/2016	Pan et al.	
2016/0122010	A1 *	5/2016	Tang	G01C 19/02 244/17.23

(Continued)

OTHER PUBLICATIONS

Phantom 4 Pro by DJI. dated 2017. found online [Jun. 5, 2017]
<https://www.dji.com/phantom-4-pro>.*

Primary Examiner — Robert M Spear
Assistant Examiner — Marissa J Cash
(74) *Attorney, Agent, or Firm* — Sterne, Kessler,
Goldstein & Fox P.L.L.C.

(57) **CLAIM**

The ornamental design for an aerial vehicle, as shown and described.

DESCRIPTION

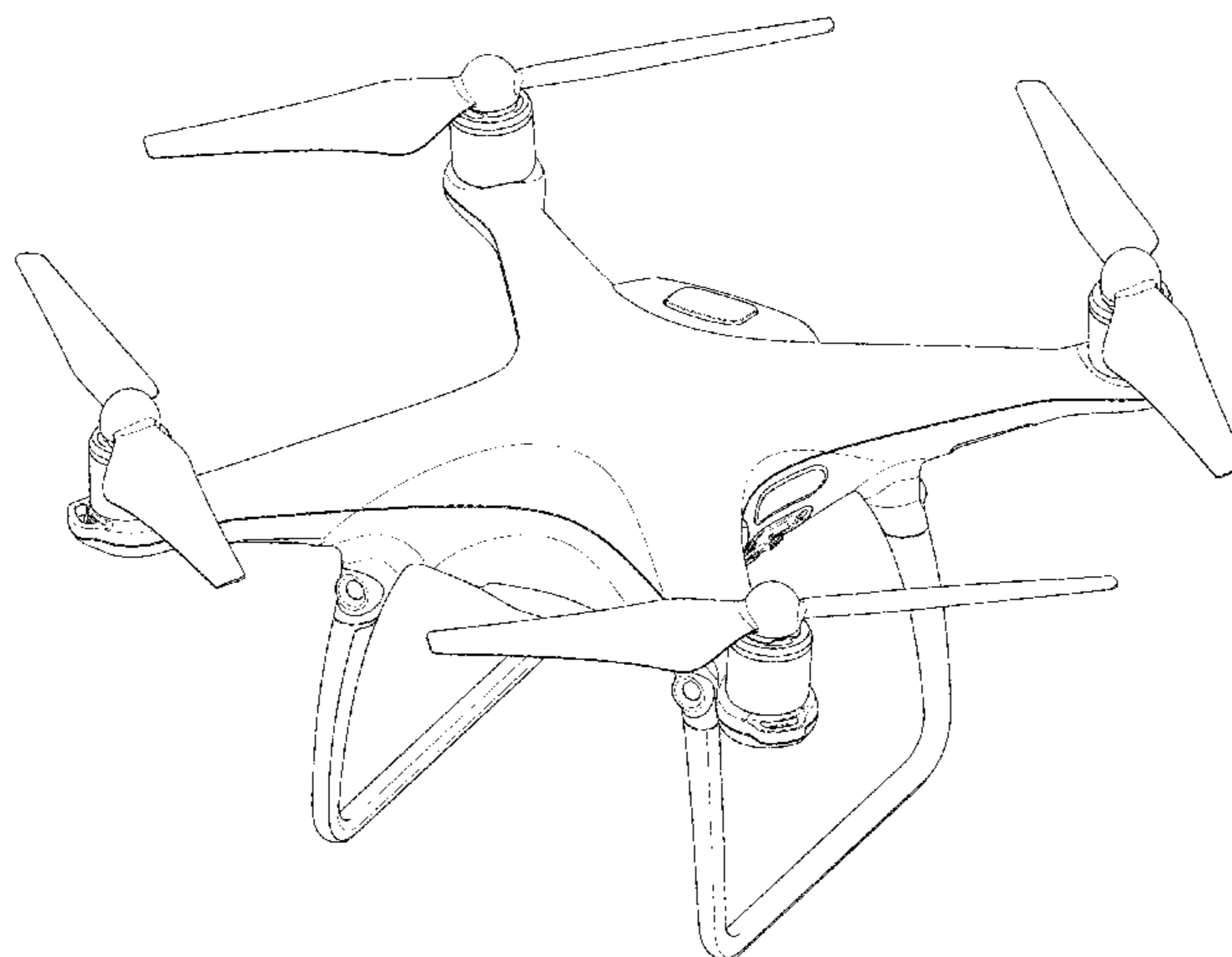
FIG. 1 is a top front perspective view of an aerial vehicle showing the claimed design;
FIG. 2 is a top rear perspective view thereof;
FIG. 3 is a front view thereof;
FIG. 4 is a rear view thereof;
FIG. 5 is a left side view thereof;
FIG. 6 is a right side view thereof;
FIG. 7 is a top view thereof; and,
FIG. 8 is a bottom view thereof.

1 Claim, 8 Drawing Sheets

(56) **References Cited**

U.S. PATENT DOCUMENTS

7,457,536	B2	11/2008	Hamada et al.	
D654,109	S	2/2012	Pardi	
D691,514	S *	10/2013	Wang	D12/16.1
D694,802	S	12/2013	Coyle et al.	
D699,776	S	2/2014	Li	
D699,777	S	2/2014	Li	
9,016,617	B2	4/2015	Wang et al.	
D732,601	S	6/2015	Coyle et al.	
D738,951	S	9/2015	Coyle	
D741,779	S	10/2015	Hsiao et al.	



(56)

References Cited

U.S. PATENT DOCUMENTS

2016/0144961 A1 5/2016 Pan et al.
2016/0150134 A1 5/2016 Katoh et al.
2016/0183514 A1* 6/2016 Dederick A01M 29/06
119/713
2016/0198088 A1 7/2016 Wang et al.
2016/0229556 A1 8/2016 Zhou et al.
2016/0240020 A1* 8/2016 Tang G07C 5/0866
2016/0244176 A1* 8/2016 Xiao B60L 7/10
2016/0246162 A1 8/2016 Niemeyer et al.
2016/0255249 A1 9/2016 Pan et al.
2016/0272163 A1 9/2016 Dreiocker et al.
2016/0313742 A1* 10/2016 Wang G05D 1/0669
2017/0096075 A1* 4/2017 Henry B60L 11/1822
2017/0121016 A1* 5/2017 Wang B64C 27/08
2017/0137127 A1* 5/2017 Cheng B64C 39/024

* cited by examiner

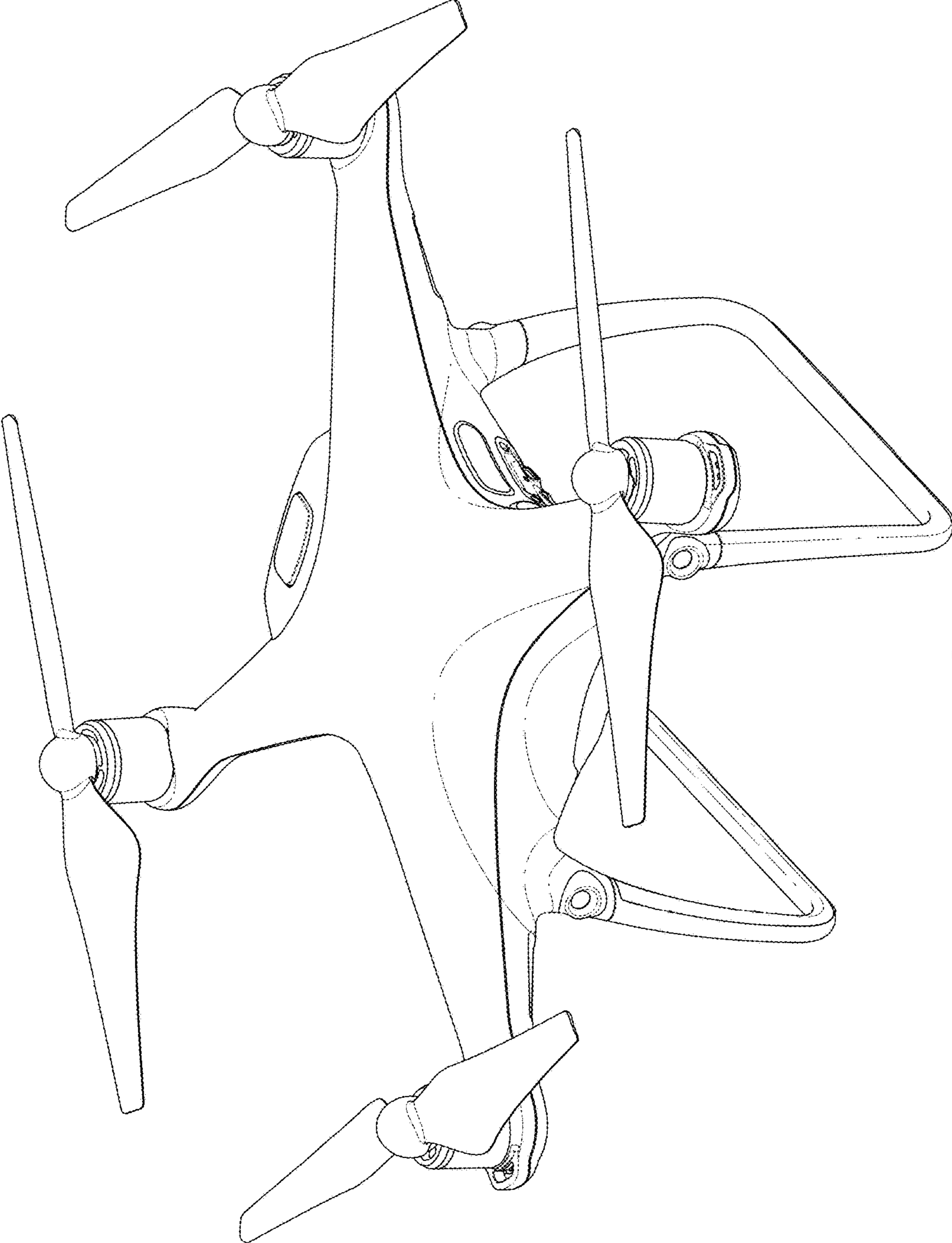


FIG. 1

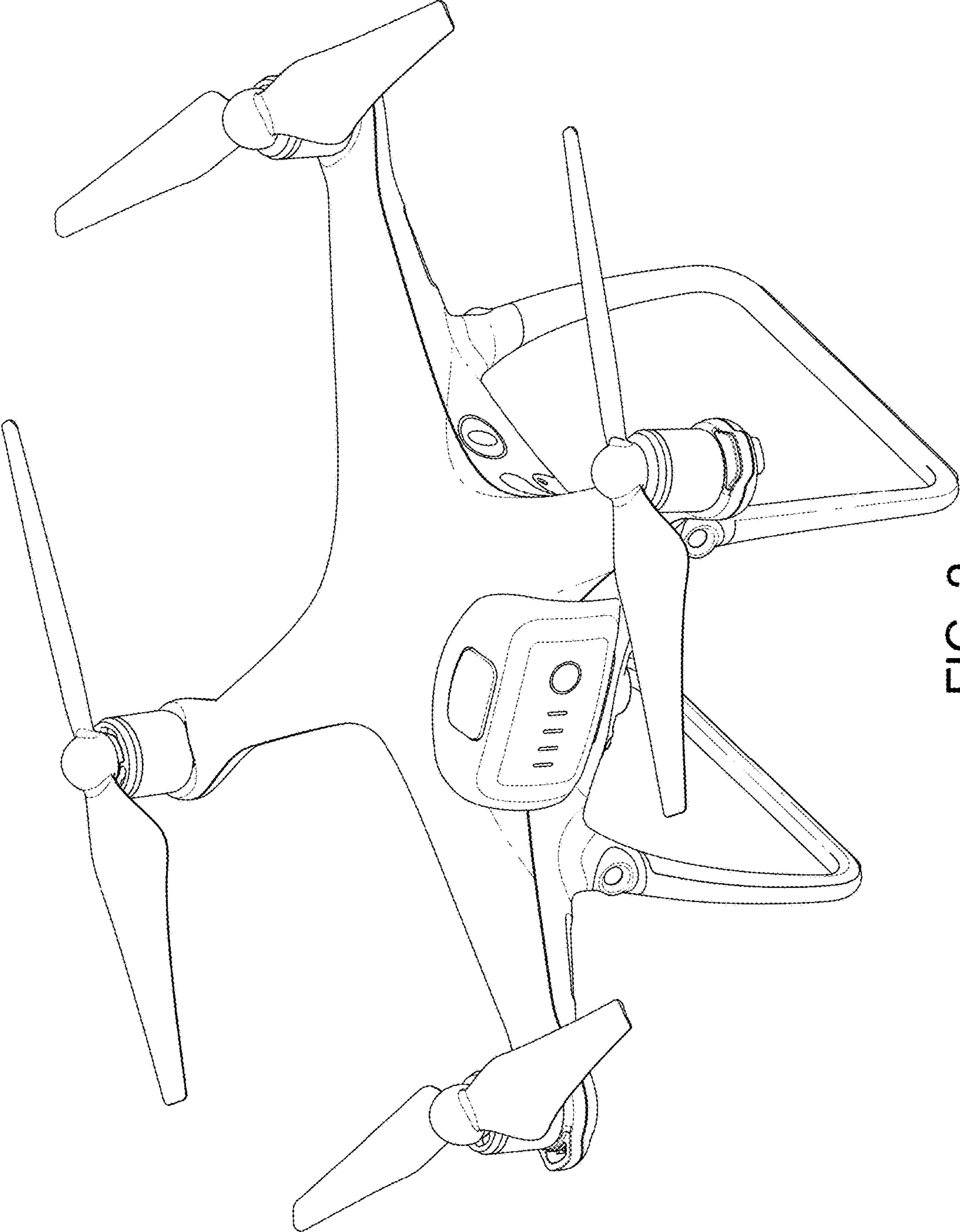


FIG. 2

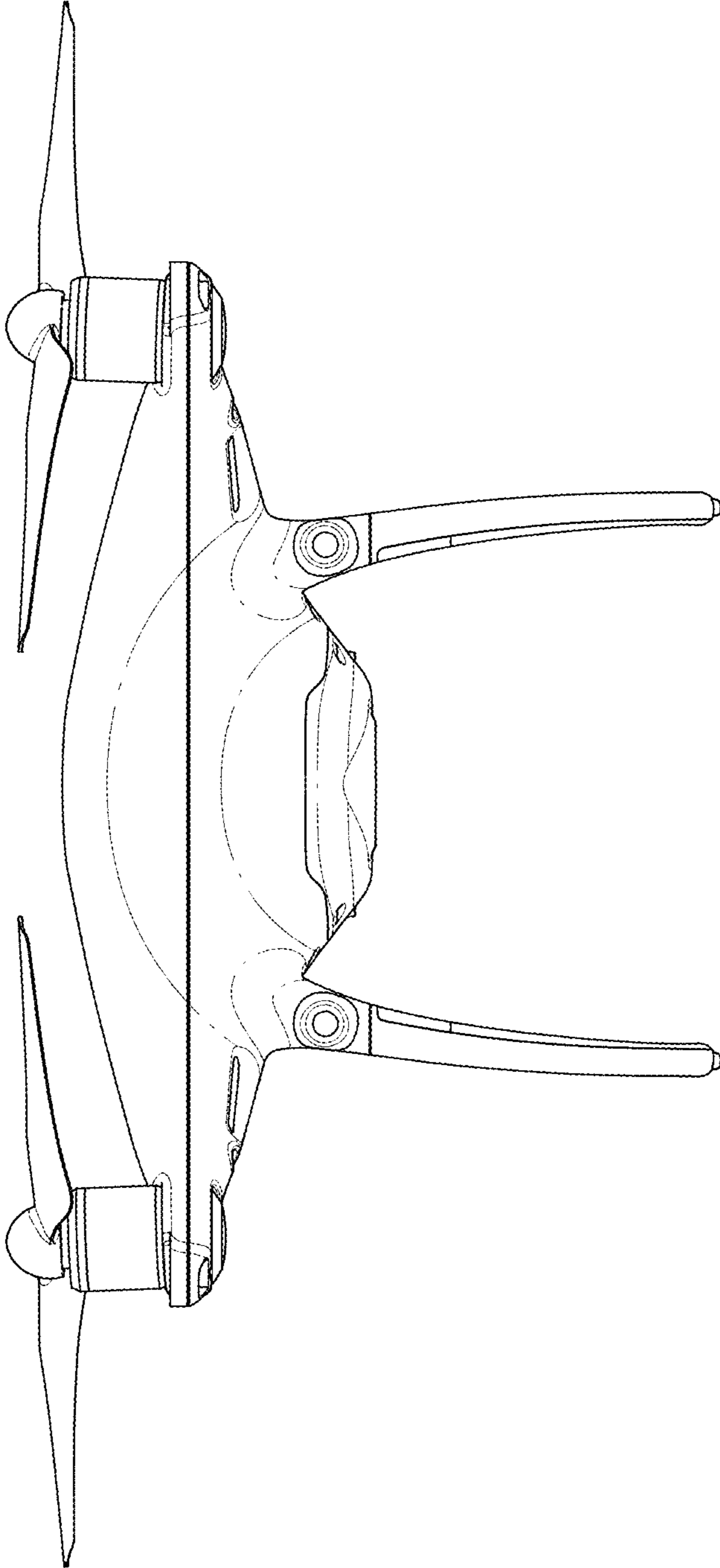


FIG. 3

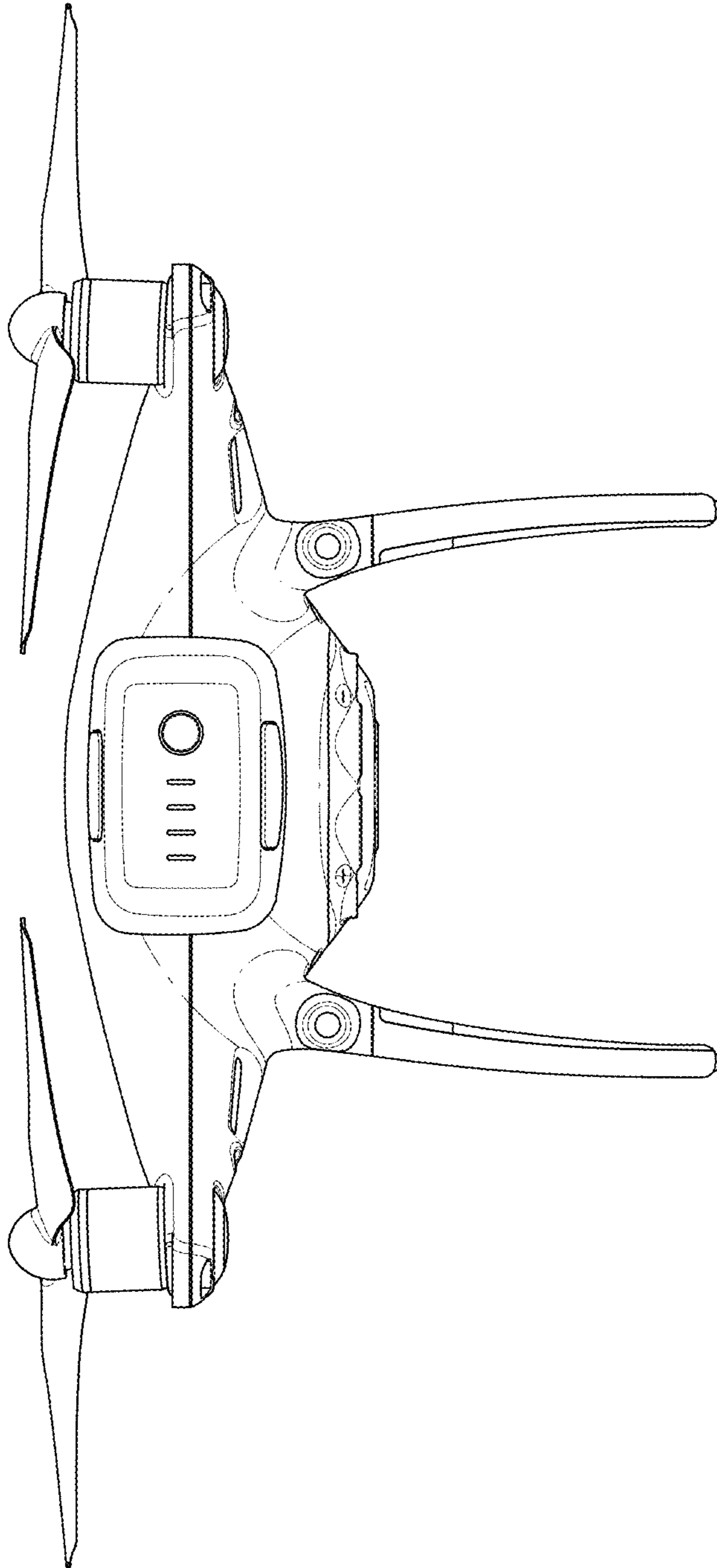


FIG. 4

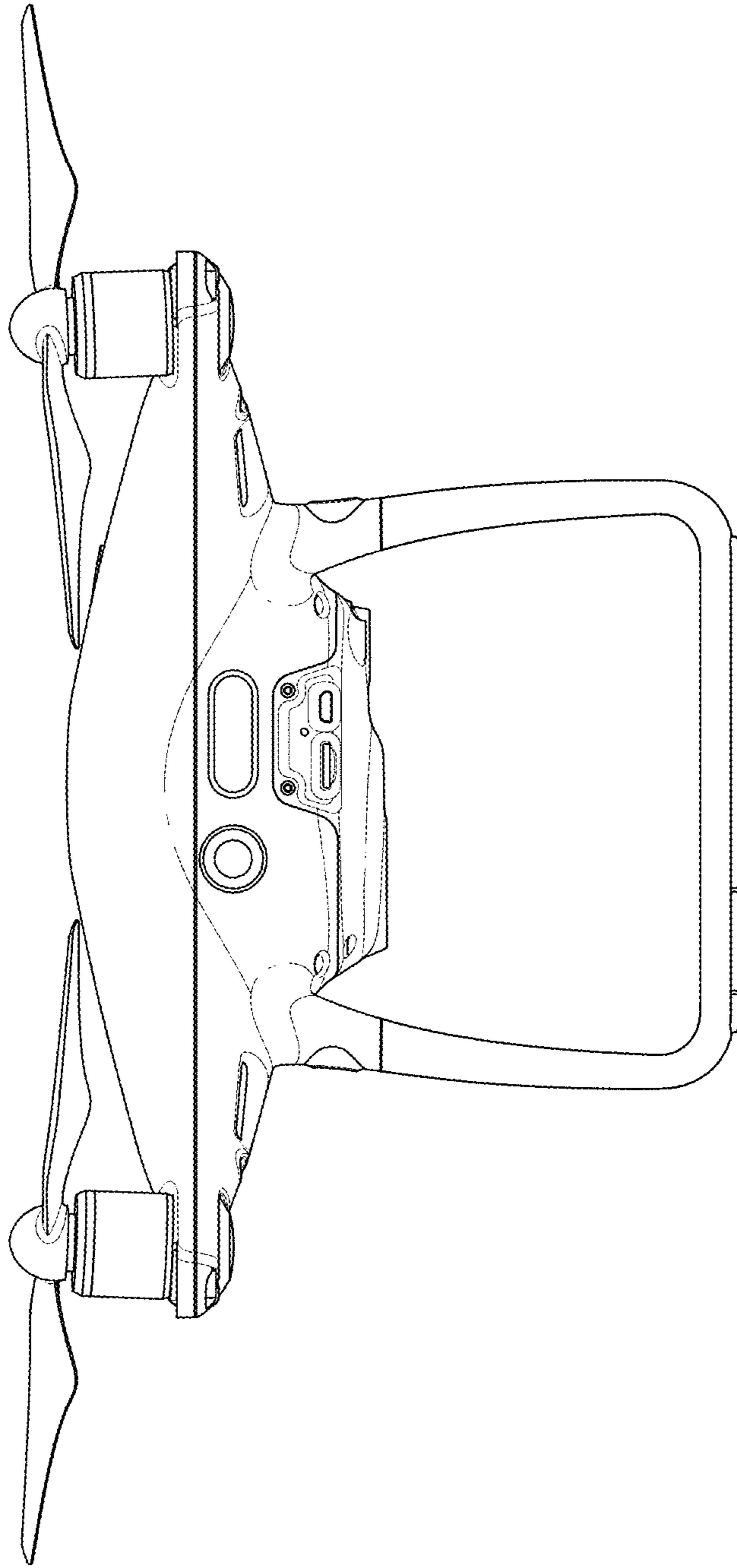


FIG. 5

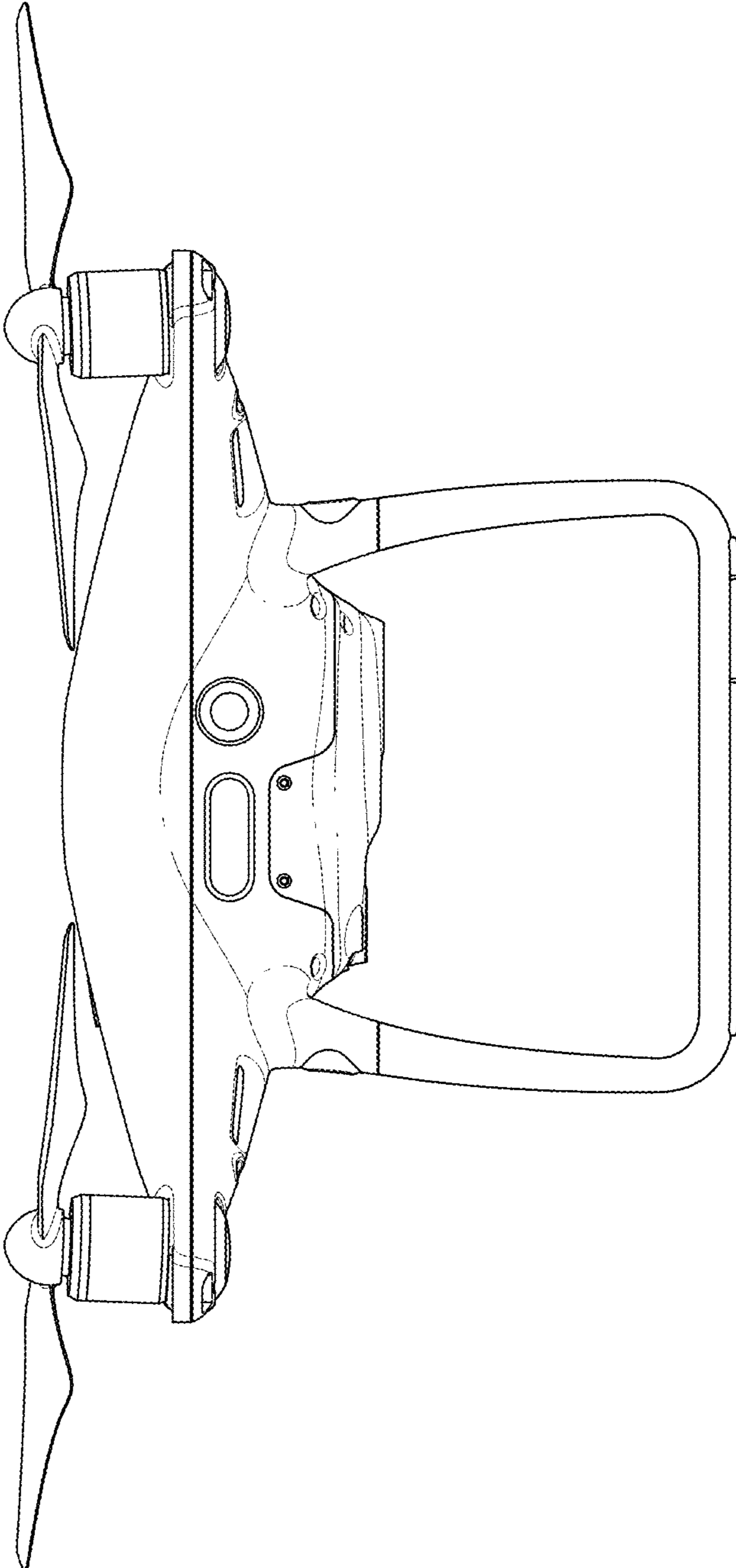


FIG. 6

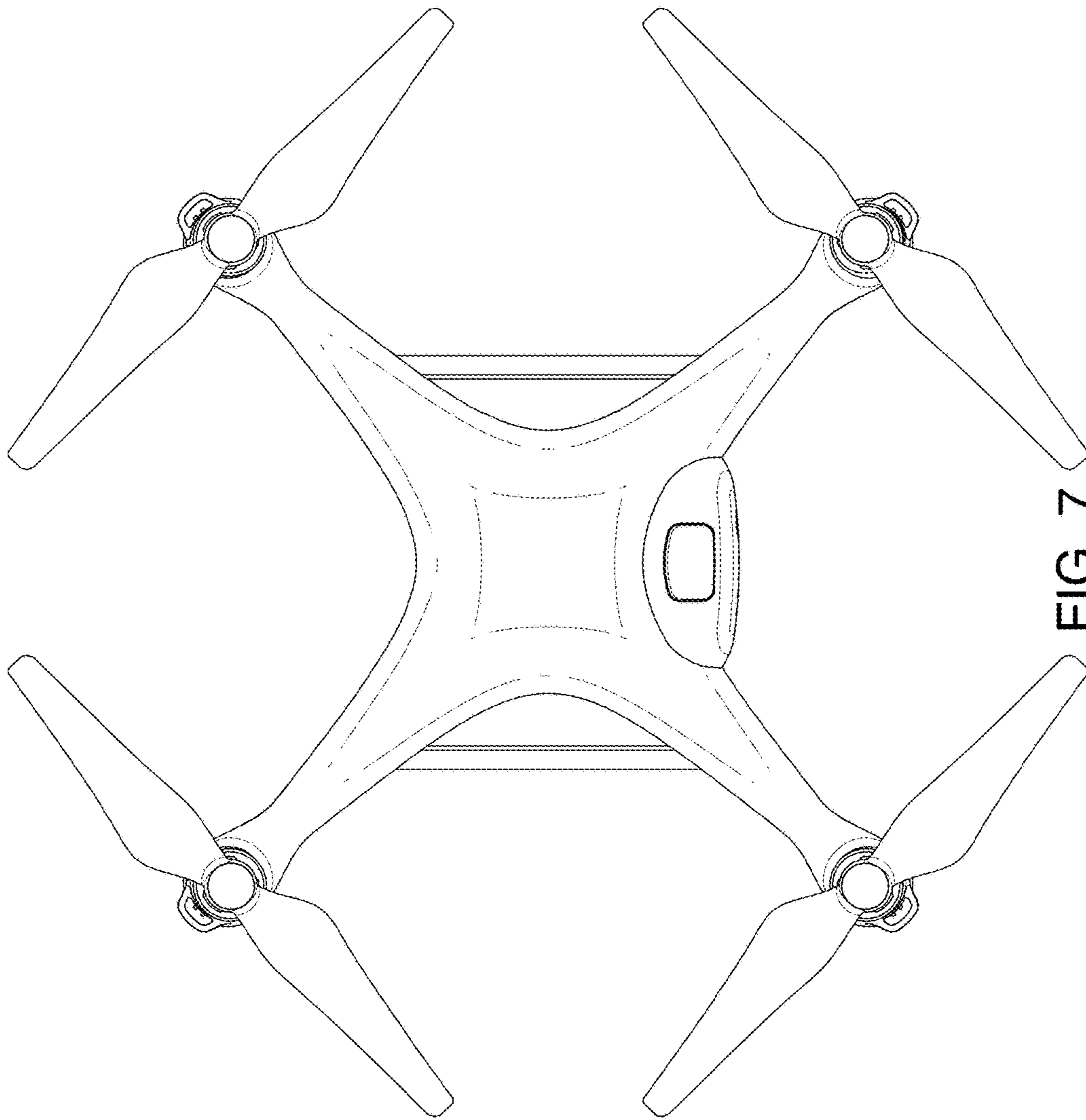


FIG. 7

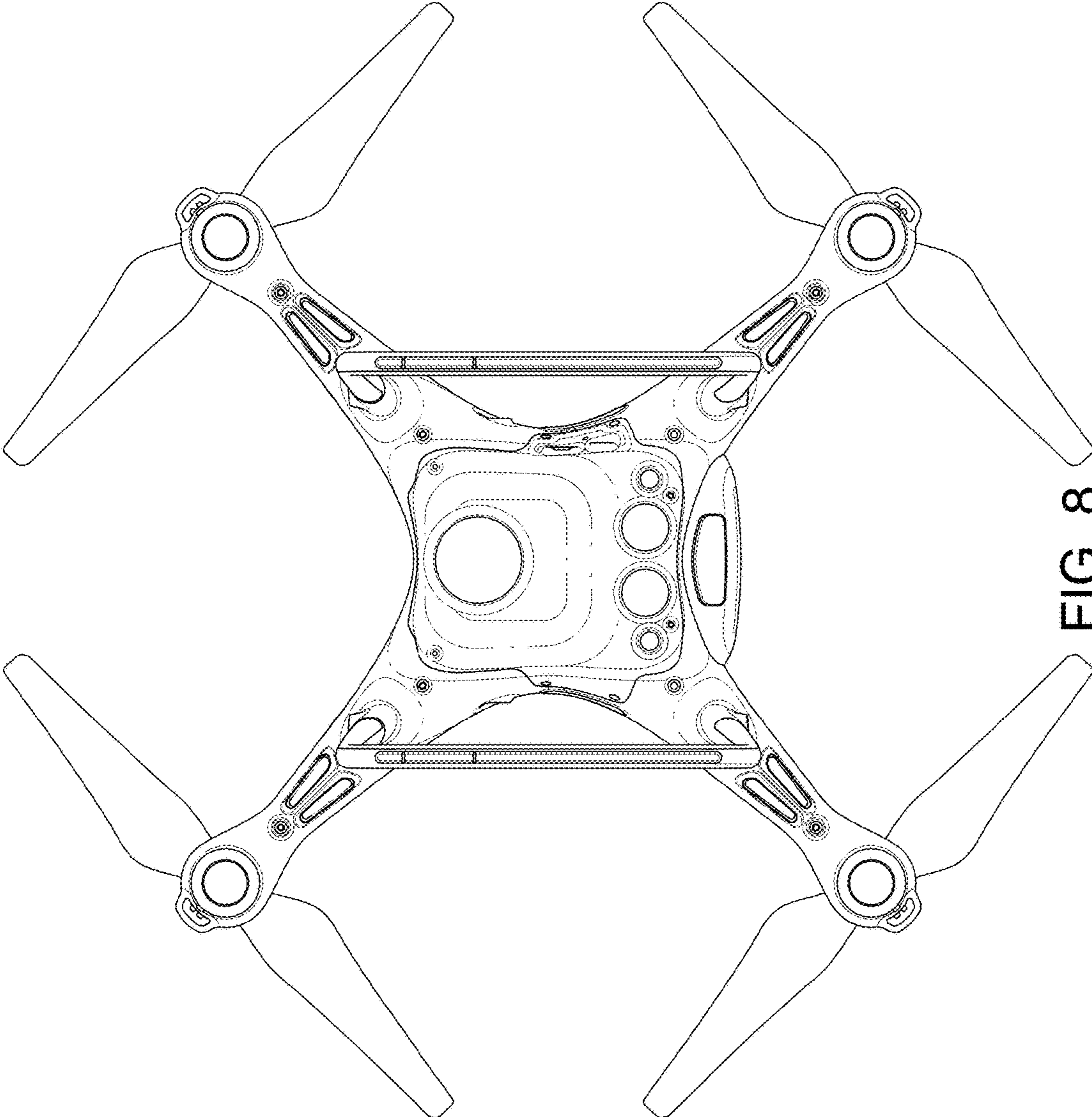


FIG. 8