

US00D796585S

(12) **United States Design Patent**
Schaap

(10) **Patent No.:** **US D796,585 S**

(45) **Date of Patent:** **** Sep. 5, 2017**

(54) **SCOOTER**

(71) Applicant: **TRIKELET B.V.**, Hilversum (NL)

(72) Inventor: **Anton Schaap**, Hilversum (NL)

(**) Term: **15 Years**

(21) Appl. No.: **35/500,786**

(22) Filed: **Feb. 9, 2016**

(80) **Hague Agreement Data**

Int. Filing Date: **Feb. 9, 2016**

Int. Reg. No.: **DM/089882**

Int. Reg. Date: **Feb. 9, 2016**

Int. Reg. Pub. Date: **Apr. 1, 2016**

(51) **LOC (10) Cl.** **21-01**

(52) **U.S. Cl.**
USPC **D21/423**

(58) **Field of Classification Search**
USPC D21/423
CPC B62D 9/04; B62K 3/002; B62K 25/04;
B62K 5/05
See application file for complete search history.

(56) **References Cited**

U.S. PATENT DOCUMENTS

D516,132 S * 2/2006 Sramek D21/423
9,238,482 B2 * 1/2016 Huang B62D 9/04

9,272,739 B2 * 3/2016 Zaid B62K 3/002
D755,305 S * 5/2016 Edlauer D21/423
9,327,796 B2 * 5/2016 Lee B62K 25/04
9,592,876 B2 * 3/2017 Lovley, II B62K 5/05

* cited by examiner

Primary Examiner — George D Kirschbaum

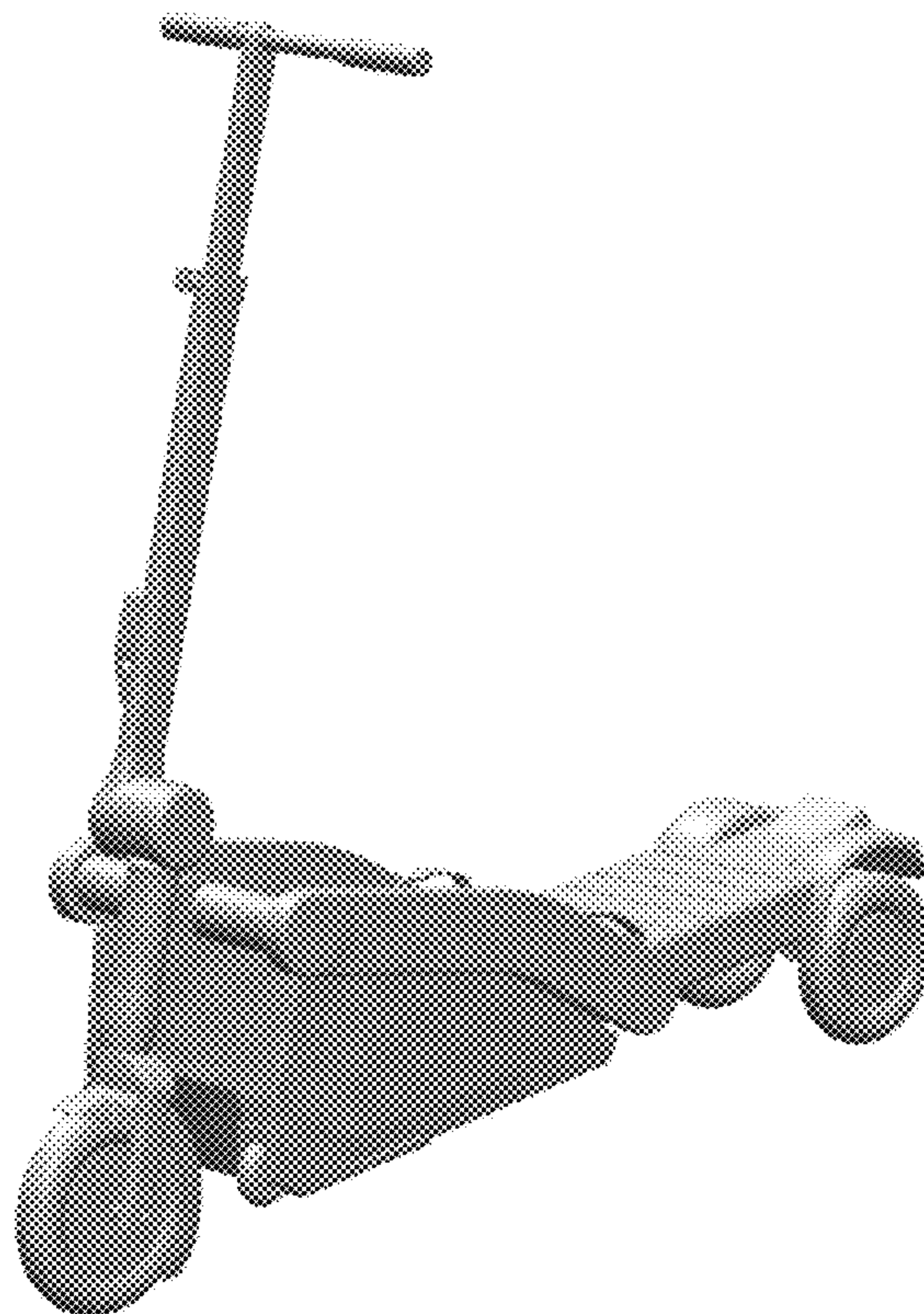
(57) **CLAIM**

The ornamental design for a scooter, as shown and described.

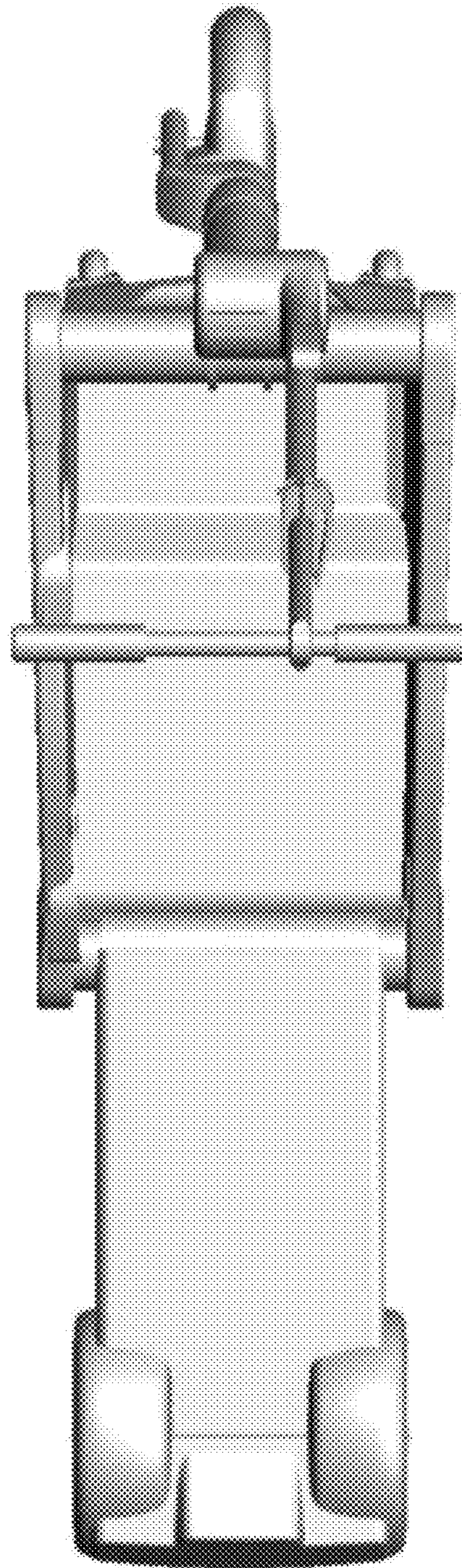
DESCRIPTION

- 1. Scooter
- 1.1 is a top view
- 1.2 is a bottom view.
- 1.3 is a front view
- 1.4 is a left side view.
- 1.5 is a left side perspective view.
- 1.6 is a rear view.
- 1.7 is a side view of the design in a folded configuration.
- 1.8 is an opposite side view of the design in a folded configuration.
- 1.9 is a right side view.

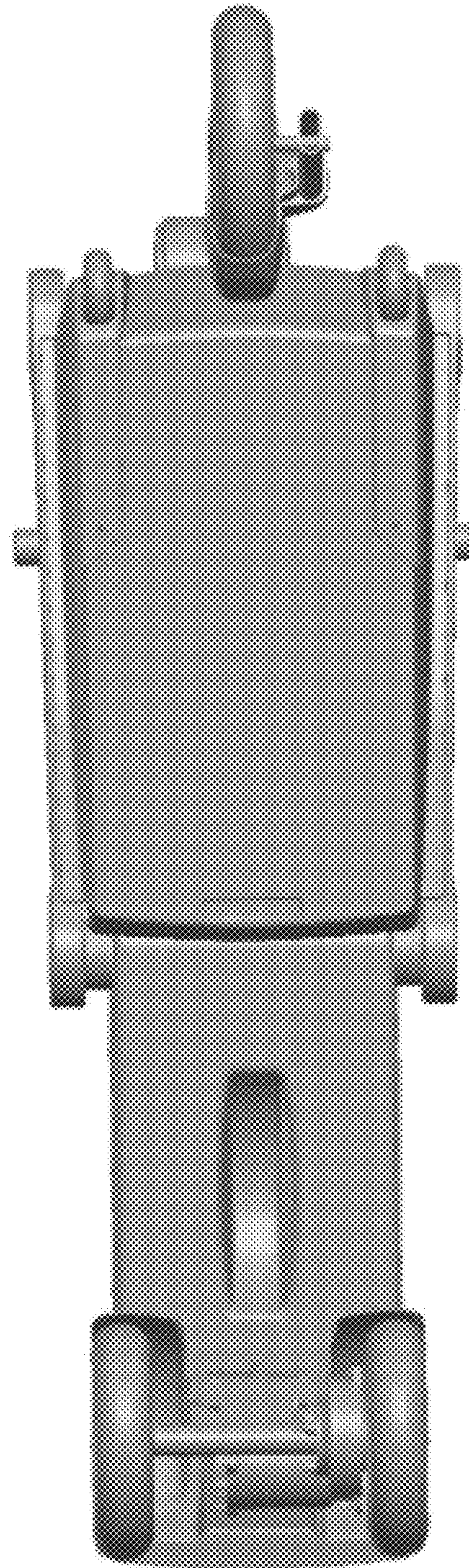
1 Claim, 9 Drawing Sheets



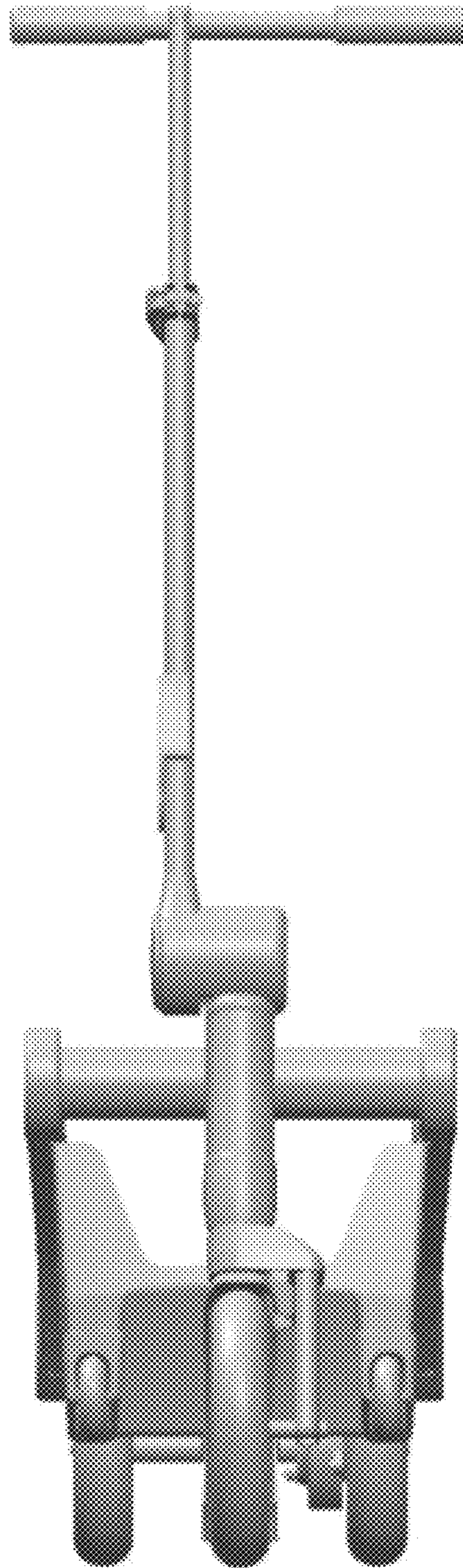
1.1



1.2



1.3



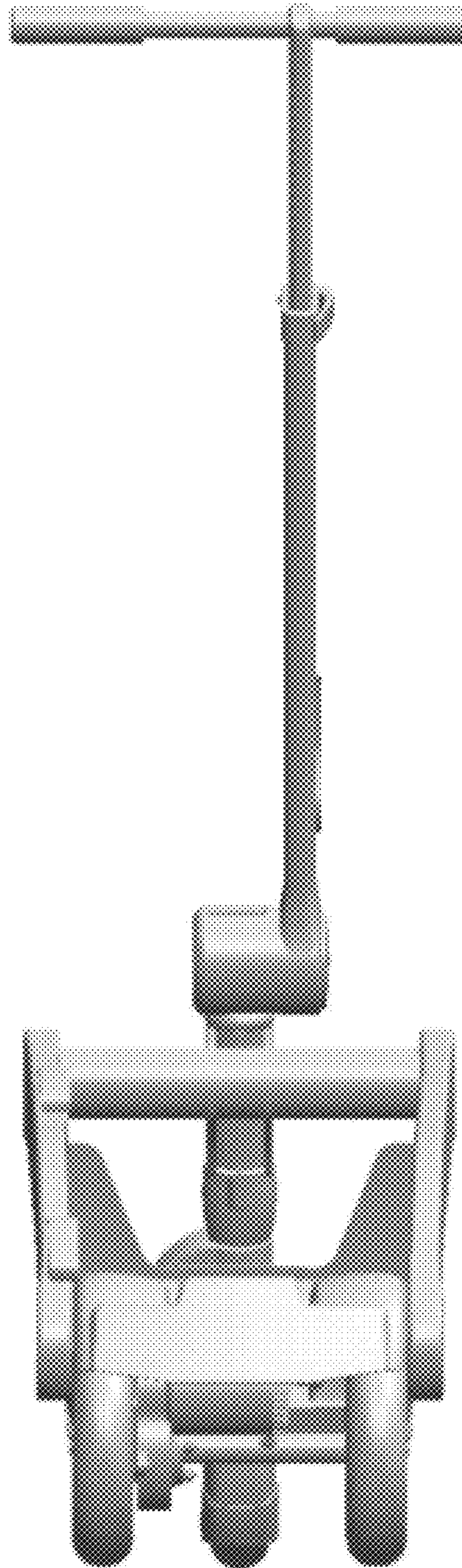
1.4



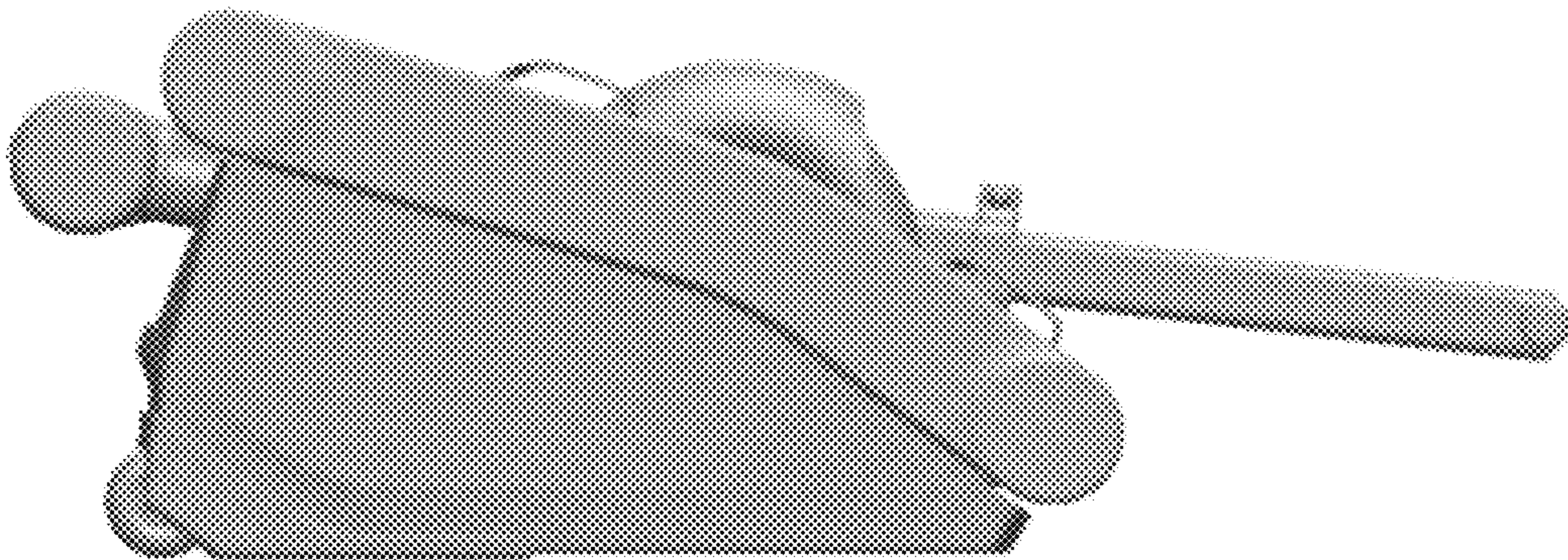
1.5



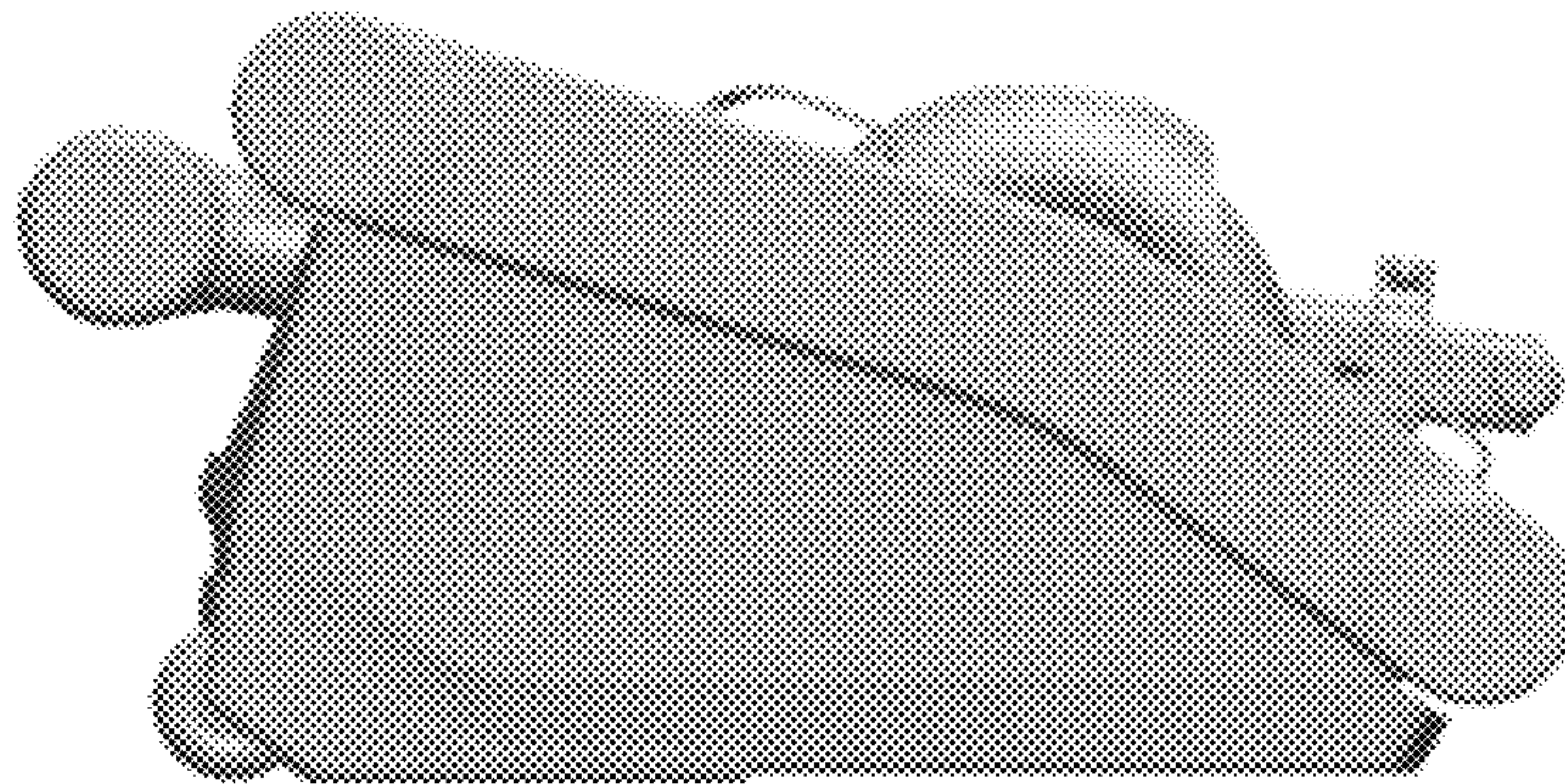
1.6



1.7



1.8



1.9

