



US00D796581S

(12) **United States Design Patent** (10) **Patent No.:** **US D796,581 S**  
**Wire et al.** (45) **Date of Patent:** **\*\* Sep. 5, 2017**

(54) **GYROSCOPIC CHAIR**

(56) **References Cited**

- (71) Applicant: **Krush Technologies, LLC**, Dayton, OH (US)
- (72) Inventors: **Christopher S. Wire**, Dayton, OH (US); **John P. Nauseef**, Kettering, OH (US); **Brian T. Faust**, Springsboro, OH (US); **Marc C. Stevens**, Kettering, OH (US); **Bryan S. Campbell**, Dayton, OH (US); **Joseph H. Althaus**, Yellow Springs, OH (US); **Crystal D. Dennis**, Dayton, OH (US); **Justin A. Gault**, Miamisburg, OH (US)
- (73) Assignee: **MOVEOPLUS LLC**, Chicao, IL (US)
- (\*\*) Term: **15 Years**
- (21) Appl. No.: **29/554,967**
- (22) Filed: **Feb. 17, 2016**

U.S. PATENT DOCUMENTS

3,362,662 A *	1/1968	McIntyre .....	B64D 25/10 244/122 AD
5,046,721 A *	9/1991	Altare .....	A63B 19/04 428/47
6,283,546 B1 *	9/2001	Hill .....	A47C 1/026 297/130
D467,977 S *	12/2002	Gatto .....	D21/326
D470,899 S *	2/2003	Goh .....	D21/477
6,634,885 B2 *	10/2003	Hodgetts .....	G09B 9/12 434/29

(Continued)

OTHER PUBLICATIONS

You think it' toy, <http://www.pinterest.com/movn1977/you-think-its-a-toy/>, p. 1 and 3 (total 2 pages) retrieved from internet on Dec. 20, 2016.\*

(Continued)

*Primary Examiner* — Prabhakar G Deshmukh  
(74) *Attorney, Agent, or Firm* — JiangIP LLC; Yanling Jiang

**Related U.S. Application Data**

- (63) Continuation-in-part of application No. 29/550,470, filed on Jan. 4, 2016.
- (51) **LOC (10) Cl.** ..... **21-01**
- (52) **U.S. Cl.**  
USPC ..... **D21/326**
- (58) **Field of Classification Search**  
USPC ..... D21/324, 328, 333, 369, 371, 385;  
273/148 B, 138.1, 236; 463/1, 16-31, 42,  
463/46, 47; 180/11, 167; 701/124, 300;  
434/19, 35-44; 297/181, 423.12  
CPC .... A63F 13/00; A63F 9/00; A63F 9/24; G06F  
13/00; G06F 13/06; G06F 19/00; G06F  
17/00; A47C 1/00; B62M 6/00; B62M  
6/40; G01C 19/00; G01C 19/02; G01C  
19/28; A61G 5/00

See application file for complete search history.

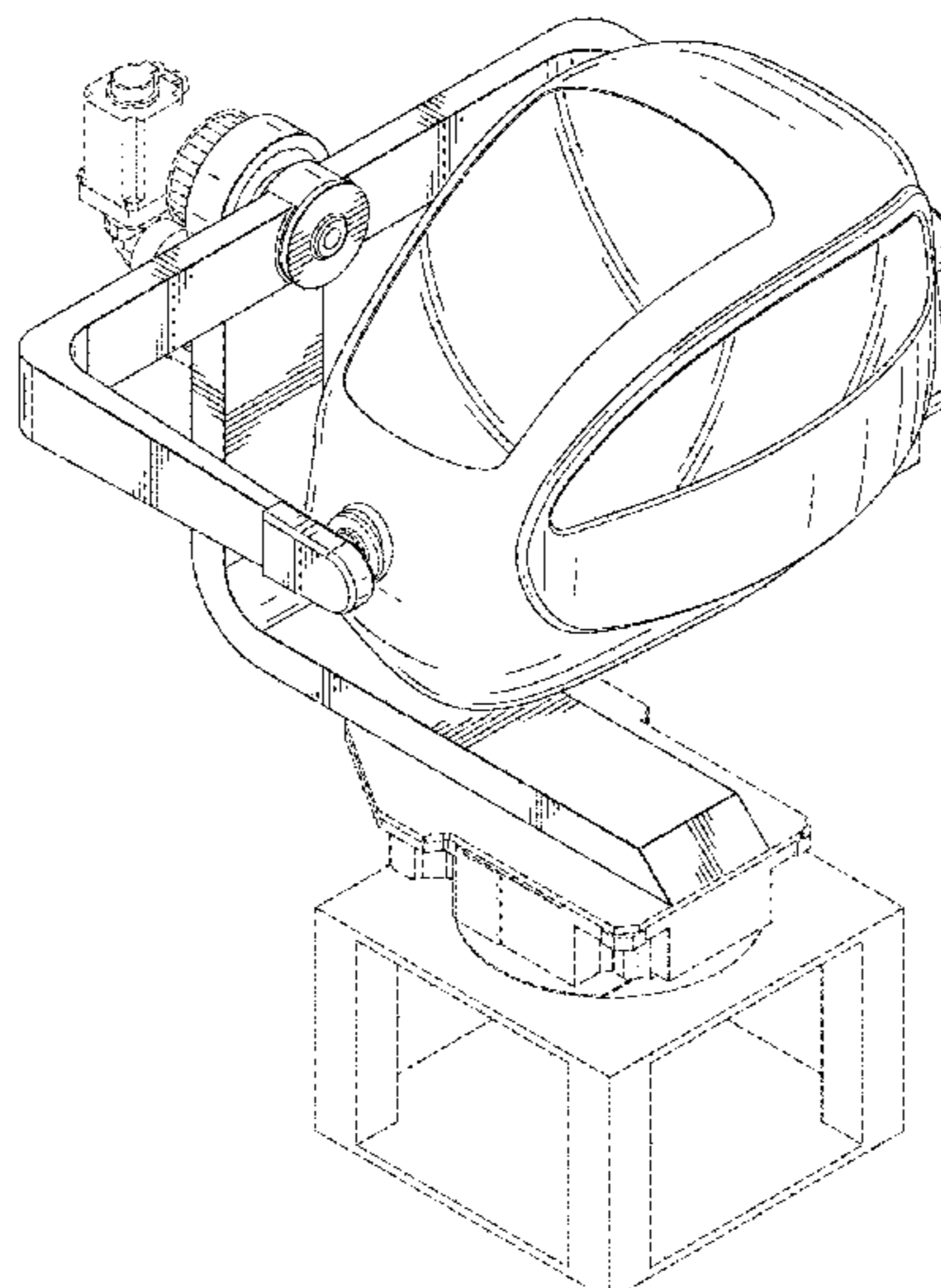
**CLAIM**

The ornamental design for a gyroscopic chair, as shown and described.

**DESCRIPTION**

FIG. 1 is a perspective view of a gyroscopic chair showing our new design;  
FIG. 2 is a front elevational view thereof;  
FIG. 3 is a rear elevational view thereof;  
FIG. 4 is a right side elevational view thereof;  
FIG. 5 is a left side elevational view thereof;  
FIG. 6 is a top plan view thereof; and,  
FIG. 7 is a bottom plan view thereof.  
The broken lines illustrate unclaimed portions and form no part of the claimed design.

**1 Claim, 7 Drawing Sheets**



(56)

**References Cited**

U.S. PATENT DOCUMENTS

D483,075 S \* 12/2003 Kang ..... D21/326  
D559,328 S \* 1/2008 Rasmussen ..... D21/326  
D612,433 S \* 3/2010 Mori ..... D21/326  
8,616,651 B2 \* 12/2013 Matthews ..... A01M 31/02  
297/423.11  
D701,917 S \* 4/2014 Ghahramanian ..... D21/326  
2009/0152910 A1 \* 6/2009 Lee ..... A47C 7/72  
297/183.1  
2011/0231085 A1 \* 9/2011 Kim ..... B62D 37/06  
701/124

OTHER PUBLICATIONS

Explore 2 Gaming, video Gaming, and more!, <http://www.interest.com/pin/499477414896044742/>, oage 1, 3, and 4 (total 3 pages), retrieved from internet on Dec. 20, 2016.\*

Explore Video gaming, Pc Gaming, and more!, <http://www.pinterest.com/442689838347147772/>, pp. 1-4 (toal 4 pages), retrieved form internet on Dec. 20, 2016.\*

Everyday Uasage: Gyroscopes, <http://www.pinterset.com/everyday-usage-gyroscopes/>, pp. 1-4 (total 4 pages), retrieved form internet on Dec. 20, 2016.\*

\* cited by examiner

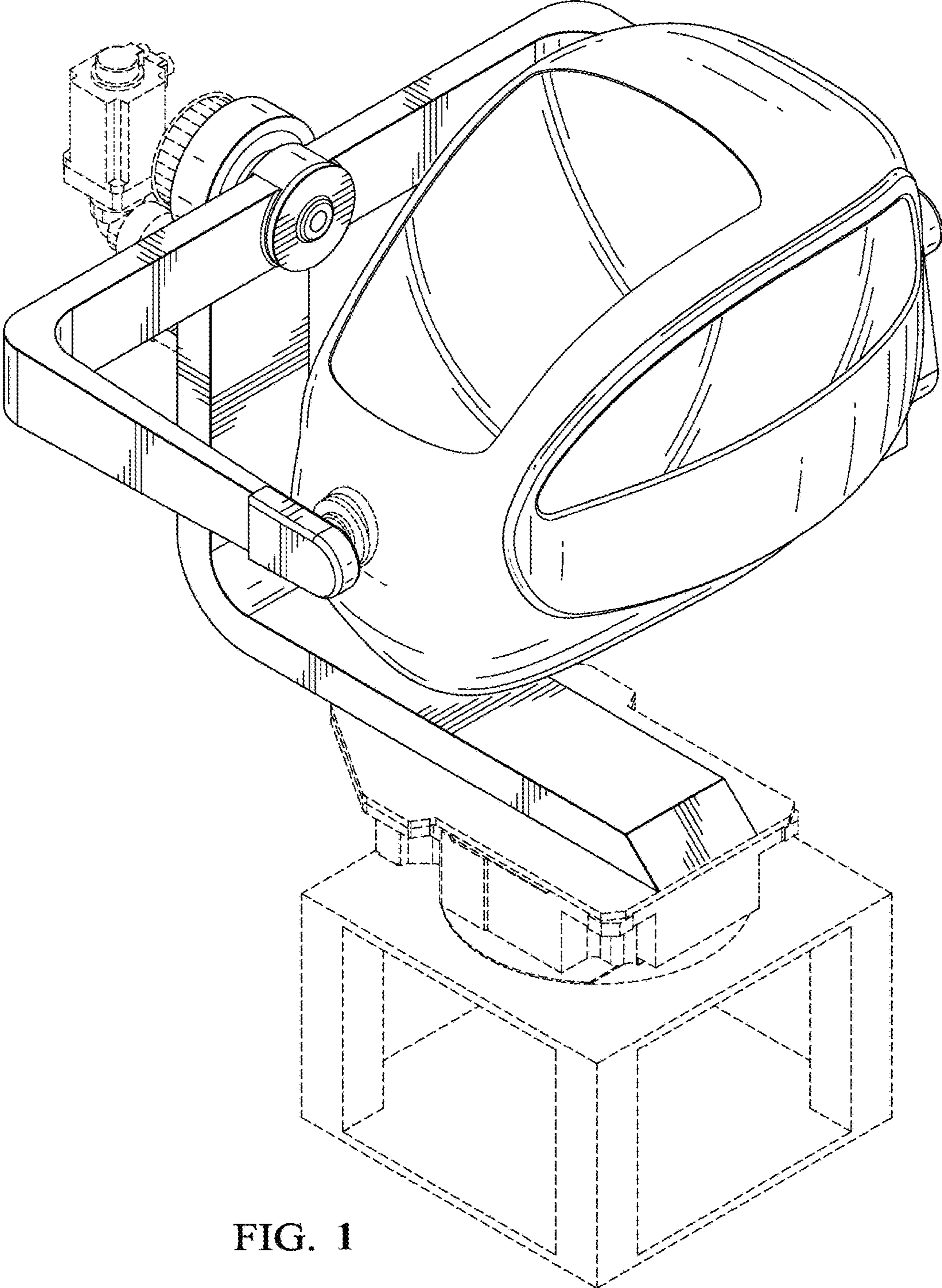


FIG. 1

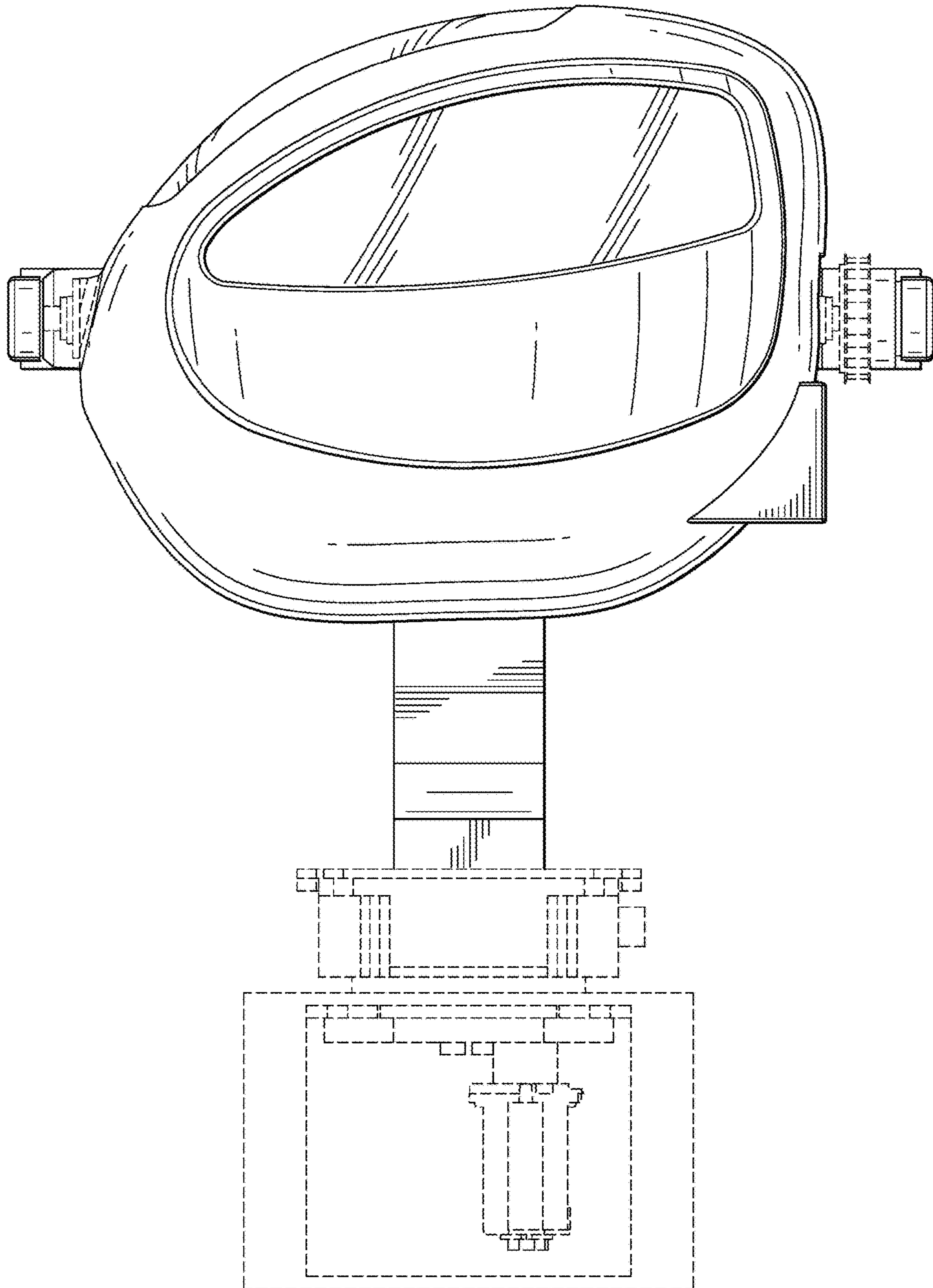


FIG. 2

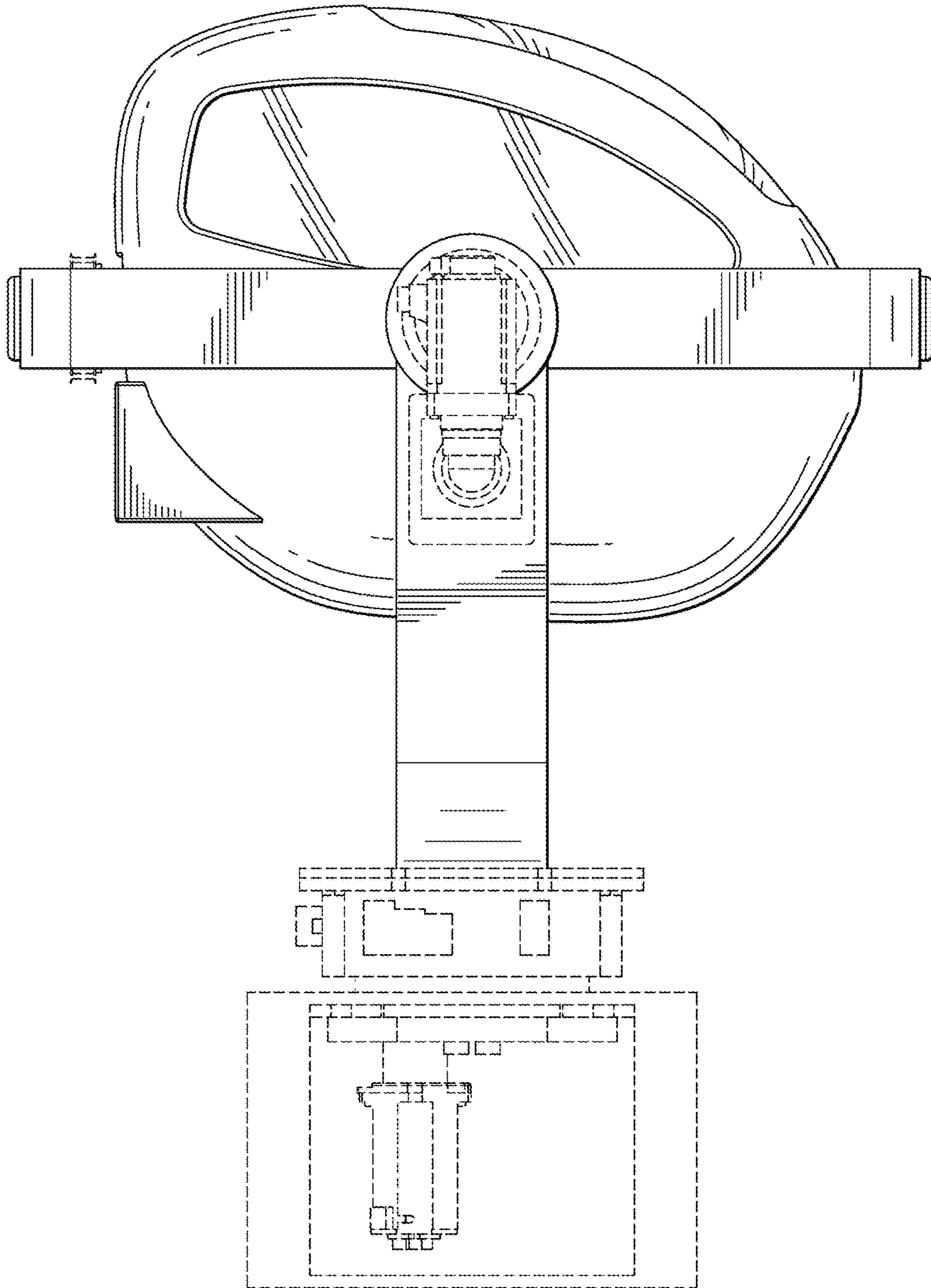


FIG. 3

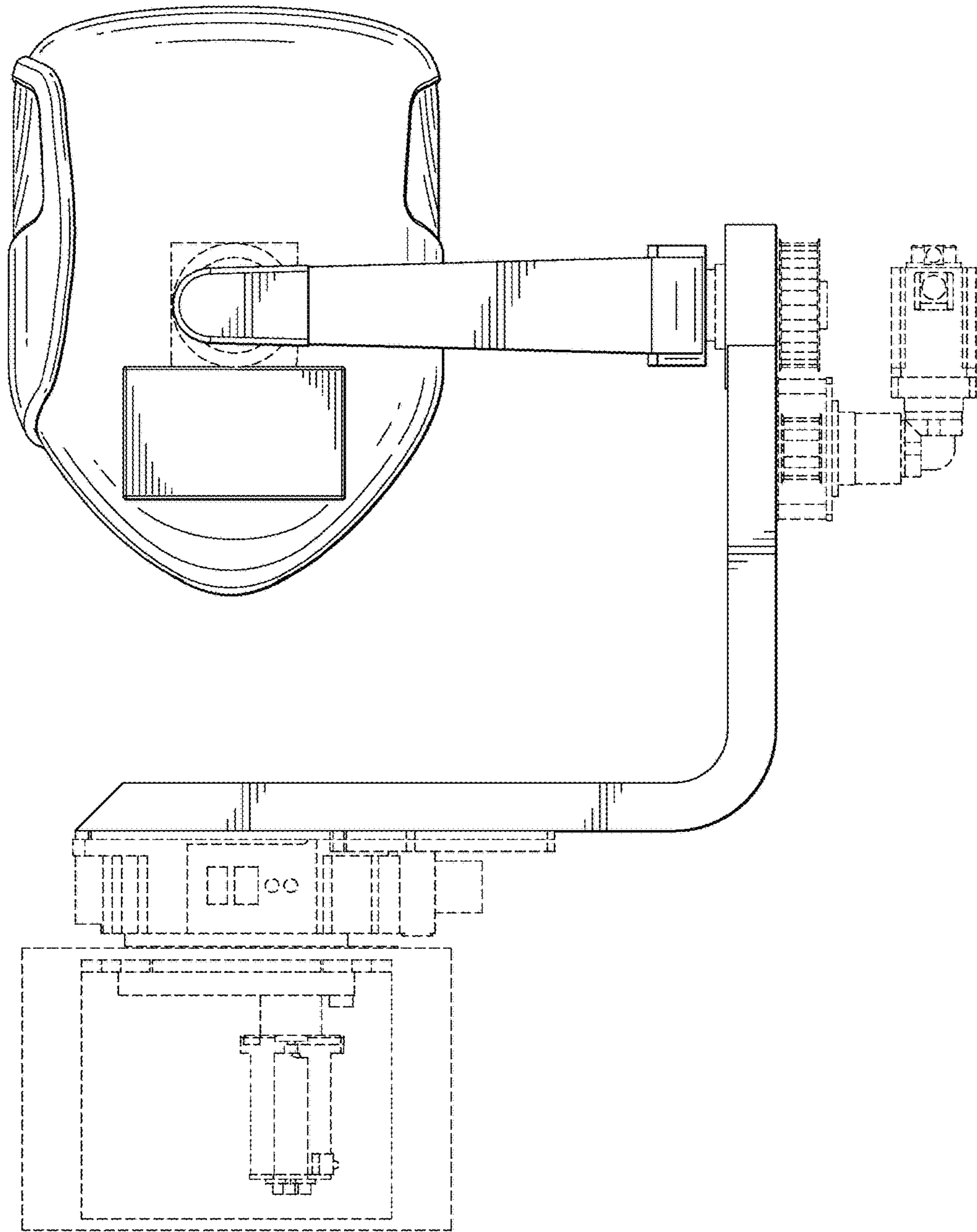


FIG. 4

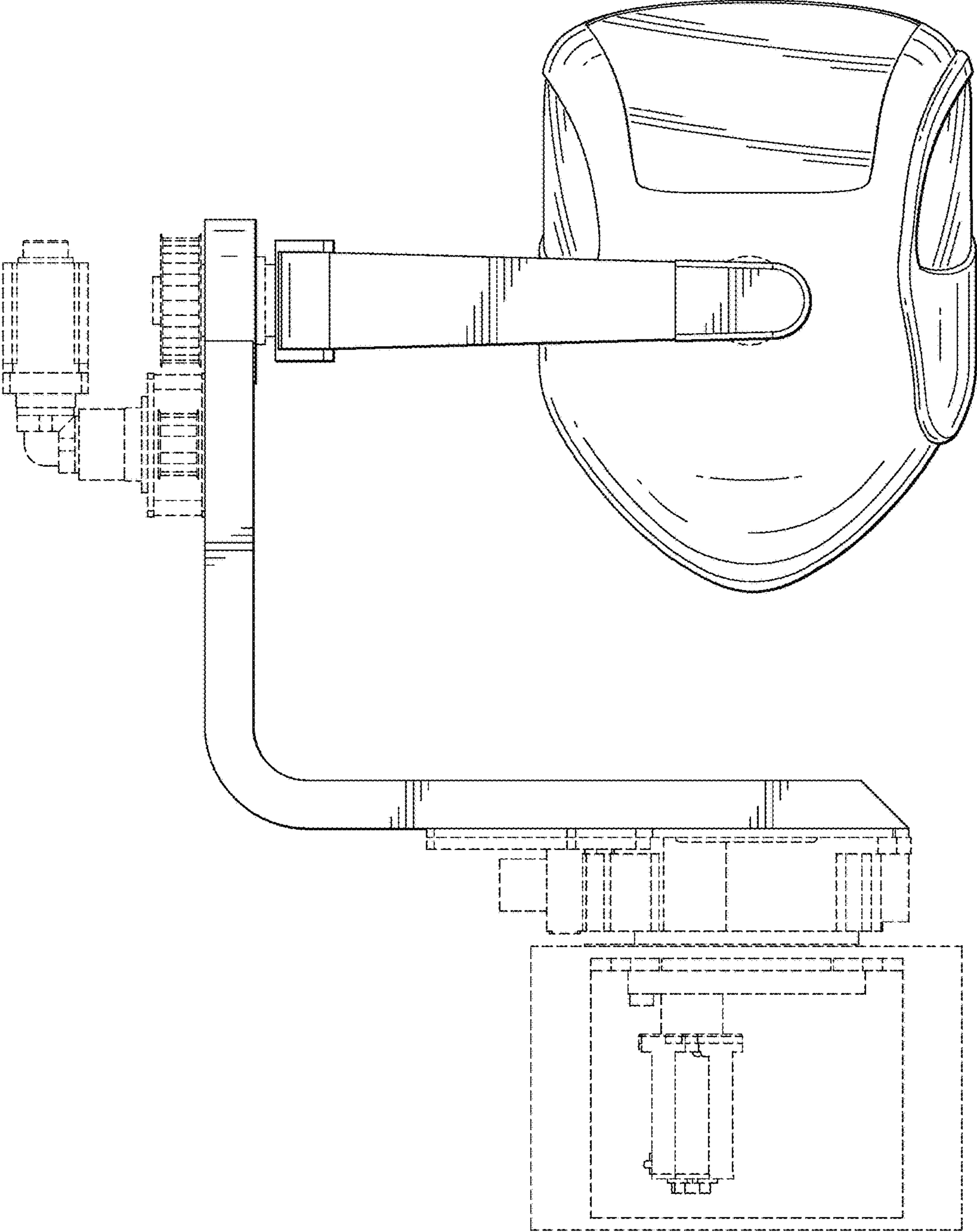


FIG. 5

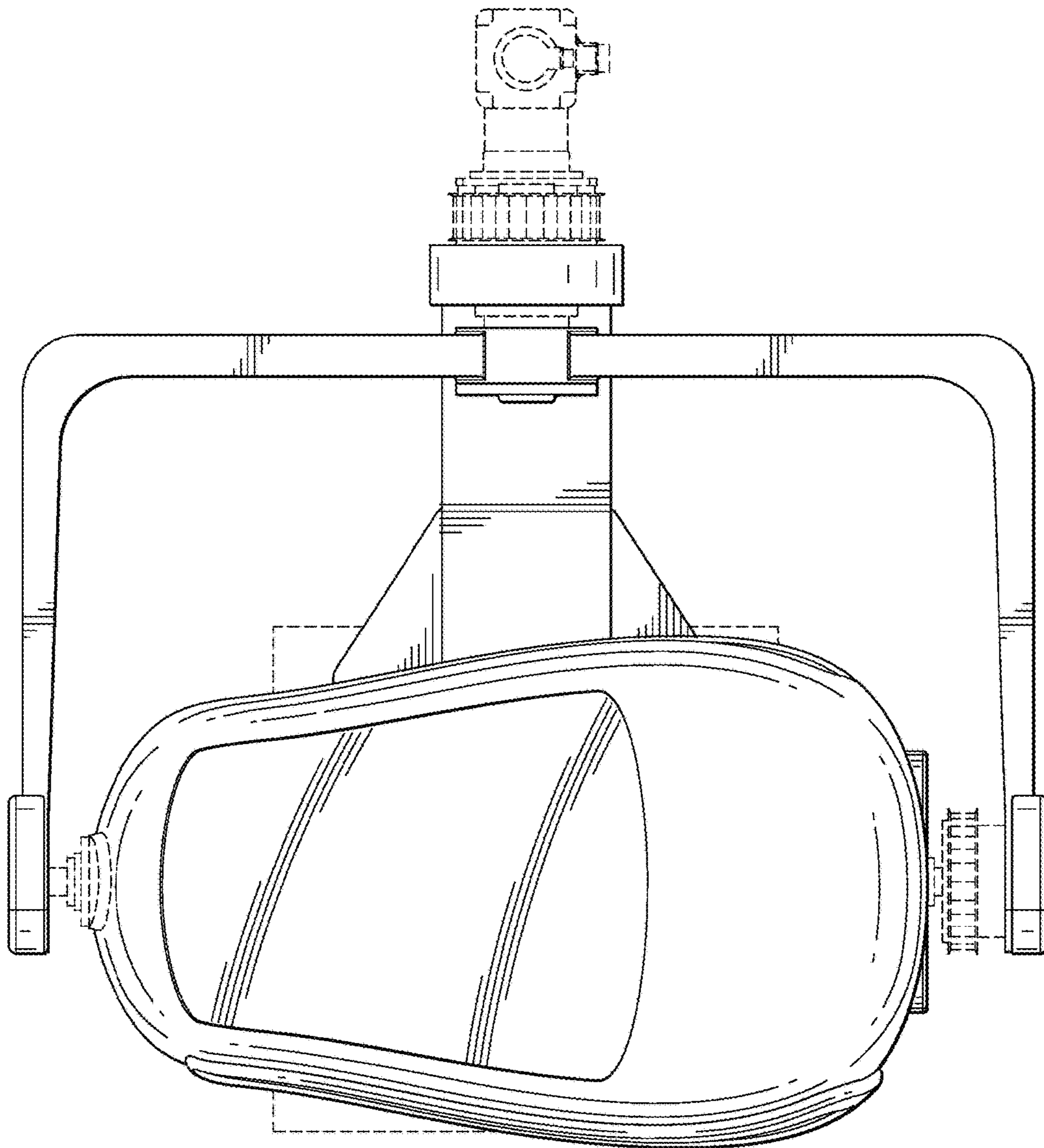


FIG. 6



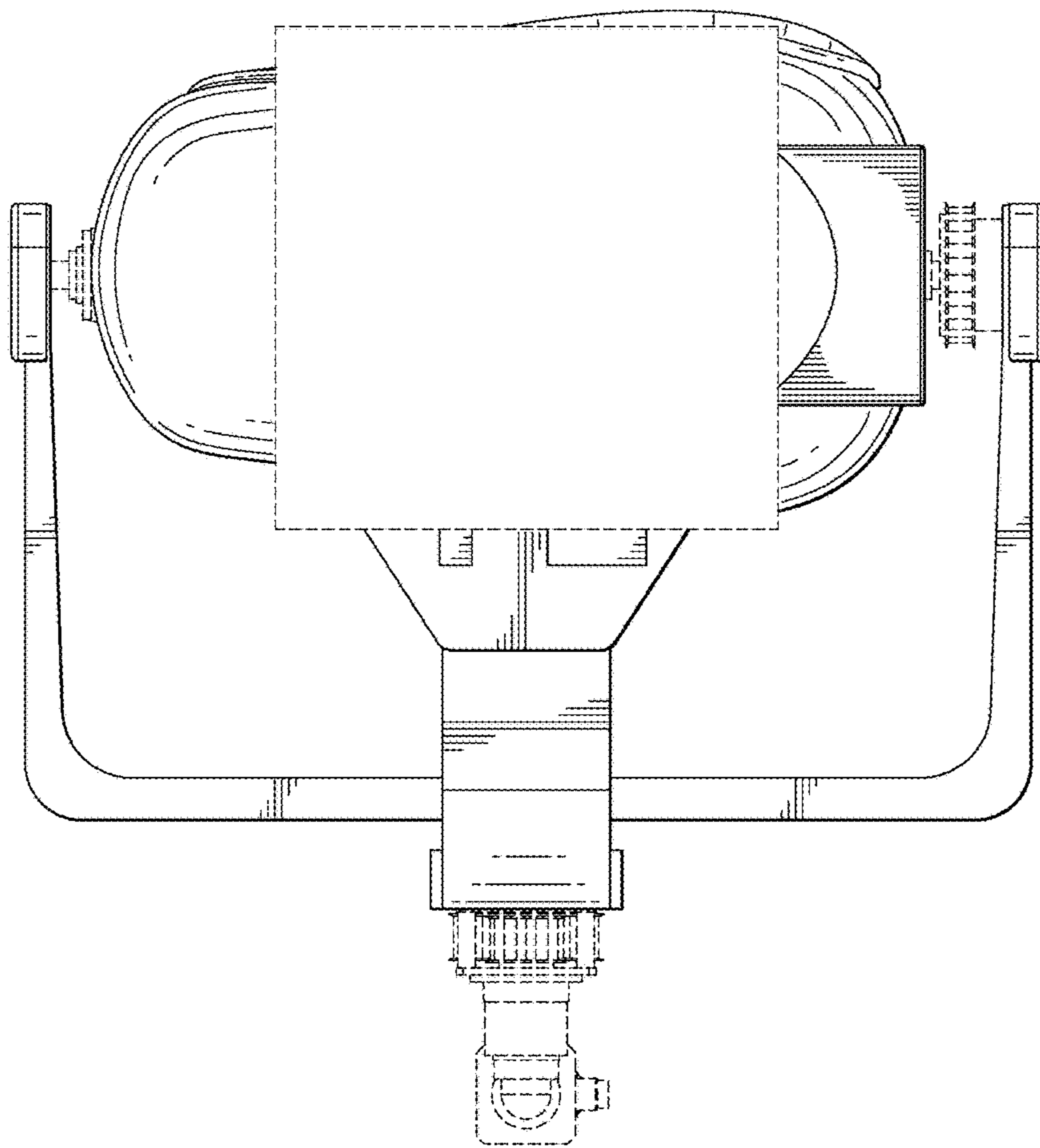


FIG. 7