



US00D796580S

(12) **United States Design Patent**
Higgins

(10) **Patent No.:** **US D796,580 S**

(45) **Date of Patent:** **** Sep. 5, 2017**

(54) **MASONRY COLOR WHEEL**

(71) Applicant: **PACIFIC CLAY PRODUCTS, INC.**,
Lake Elsinore, CA (US)

(72) Inventor: **Josh Higgins**, Orange, CA (US)

(73) Assignee: **PACIFIC CLAY PRODUCTS, INC.**,
Lake Elsinore, CA (US)

(**) Term: **15 Years**

(21) Appl. No.: **29/568,955**

(22) Filed: **Jun. 22, 2016**

(51) **LOC (10) Cl.** **20-99**

(52) **U.S. Cl.**
USPC **D20/99; D19/112**

(58) **Field of Classification Search**
USPC D19/35, 36, 59; D20/10, 20, 23, 27, 28,
D20/37, 39, 40, 41, 99; D21/362, 374,
D21/477

CPC G09F 1/00; G09F 1/02; G09F 2003/023;
G09F 2003/0261; G09F 2003/0264; G09F
7/00; G09F 3/206; G09F 13/00; G09F
2007/1807; G09F 13/04; G09F
2013/0427; G09F 2013/0495; G09F
21/00; G09F 2021/023; G09F 21/04;
G09F 2021/041; G09D 3/00; B60R
21/045; B60R 21/205; B60R 11/02; B60R
7/04; B60R 7/08; B60K 35/00; B60H
3/06

See application file for complete search history.

(56) **References Cited**

U.S. PATENT DOCUMENTS

- 2,137,477 A * 11/1938 De Haven B44D 3/02
209/447
- 2,878,590 A * 3/1959 Dodge G01J 3/522
206/1.8
- D199,325 S * 10/1964 Fineman D11/125
- D201,699 S * 7/1965 Fineman D11/128

(Continued)

Primary Examiner — Mary Ann Calabrese

Assistant Examiner — Sloan Rozin

(74) *Attorney, Agent, or Firm* — Stetina Brunda Garred
and Brucker

(57) **CLAIM**

The ornamental design for a masonry color wheel, as shown
and described.

DESCRIPTION

FIG. 1 is a perspective view of a first embodiment of a
masonry color wheel;

FIG. 2 is a front view of the masonry color wheel shown in
FIG. 1;

FIG. 3 is a rear view of the masonry color wheel shown in
FIG. 1;

FIG. 4 is a left view of the masonry color wheel shown in
FIG. 1;

FIG. 5 is a right view of the masonry color wheel shown in
FIG. 1;

FIG. 6 is a top view of the masonry color wheel shown in
FIG. 1;

FIG. 7 is a bottom view of the masonry color wheel shown
in FIG. 1;

FIG. 8 is a perspective view of a second embodiment of the
masonry color wheel;

FIG. 9 is a front view of the masonry color wheel shown in
FIG. 8;

FIG. 10 is a rear view of the masonry color wheel shown in
FIG. 8;

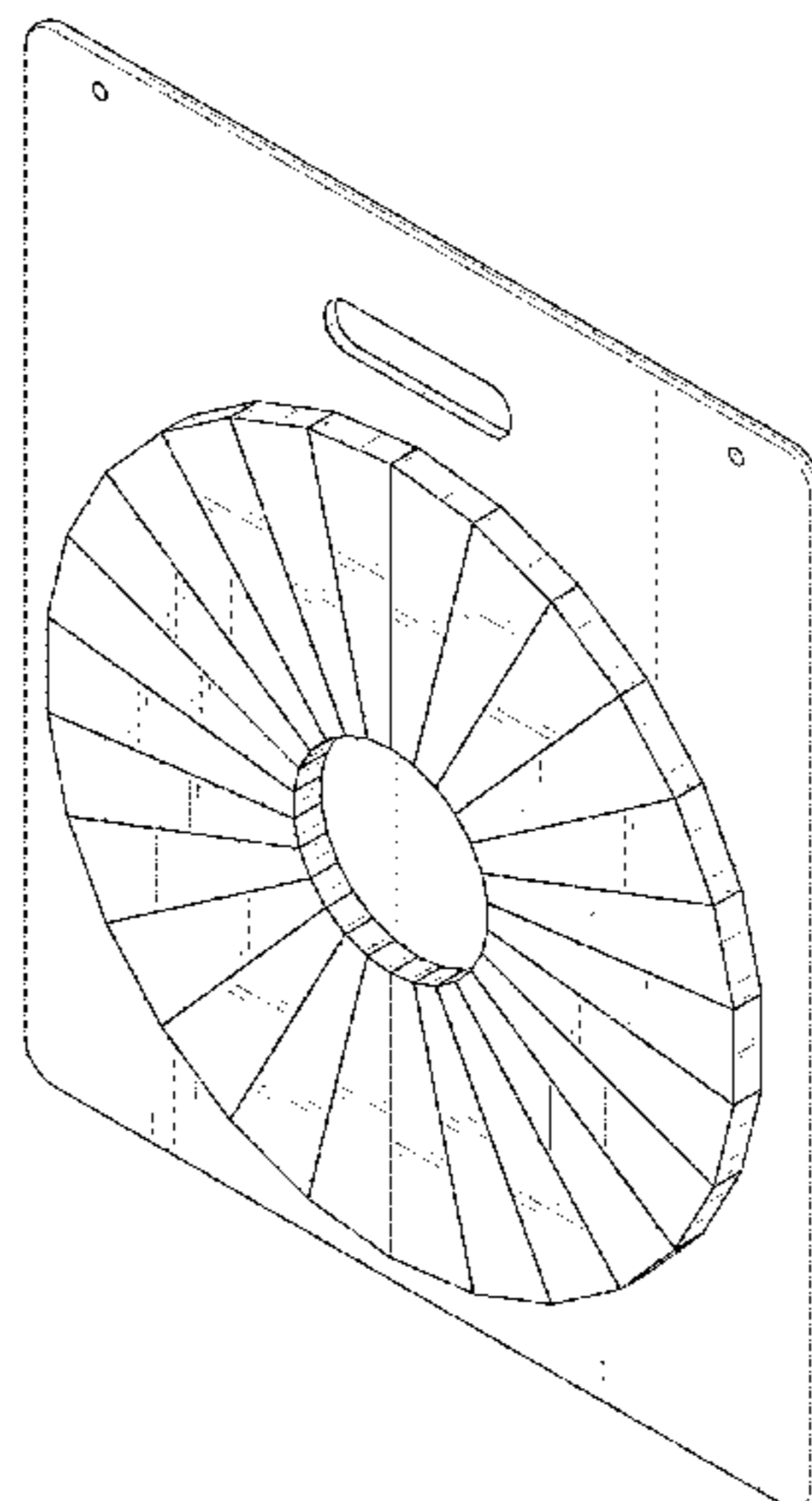
FIG. 11 is a left view of the masonry color wheel shown in
FIG. 8;

FIG. 12 is a right view of the masonry color wheel shown
in FIG. 8;

FIG. 13 is a top view of the masonry color wheel shown in
FIG. 8; and,

FIG. 14 is a bottom view of the masonry color wheel shown
in FIG. 8.

1 Claim, 10 Drawing Sheets



(56)

References Cited

U.S. PATENT DOCUMENTS

3,964,674 A * 6/1976 Van der Gaast G06C 3/00
235/88 RC
4,524,891 A * 6/1985 Silva A41H 19/00
206/382
D287,864 S * 1/1987 Perfect D20/22
D295,191 S * 4/1988 Goldman D19/59
D300,835 S * 4/1989 Stevens D20/22
D353,842 S * 12/1994 Nettik D20/27
D363,314 S * 10/1995 Leland D19/112
6,234,801 B1 * 5/2001 Hsu G09F 5/04
434/98
D449,764 S * 10/2001 Takeshita D7/625
D493,831 S * 8/2004 Levin D19/112
D517,375 S * 3/2006 Waymire D7/635
D574,373 S * 8/2008 Tang D14/247
D651,649 S * 1/2012 Washington D19/59

* cited by examiner

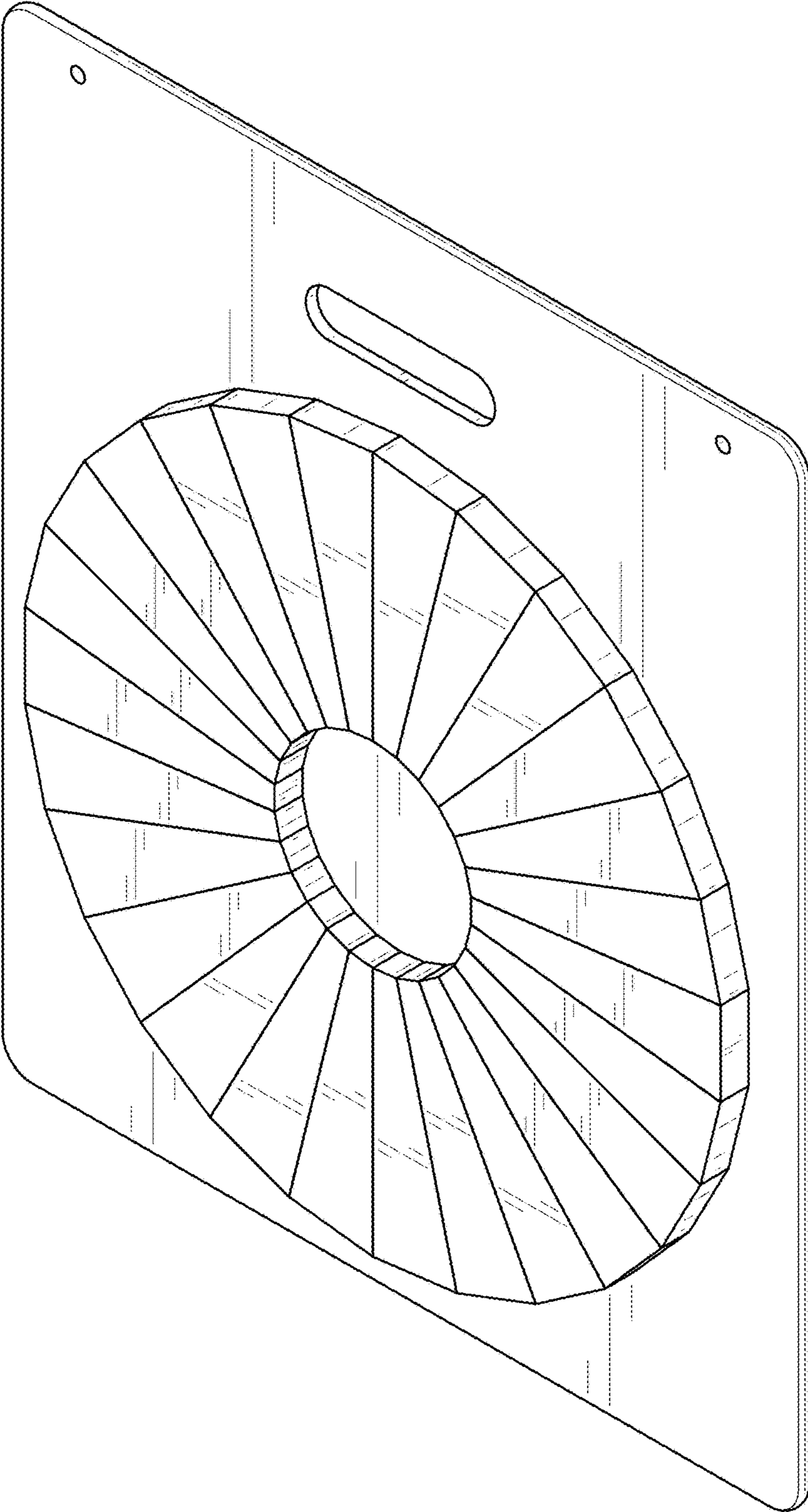


FIG. 1

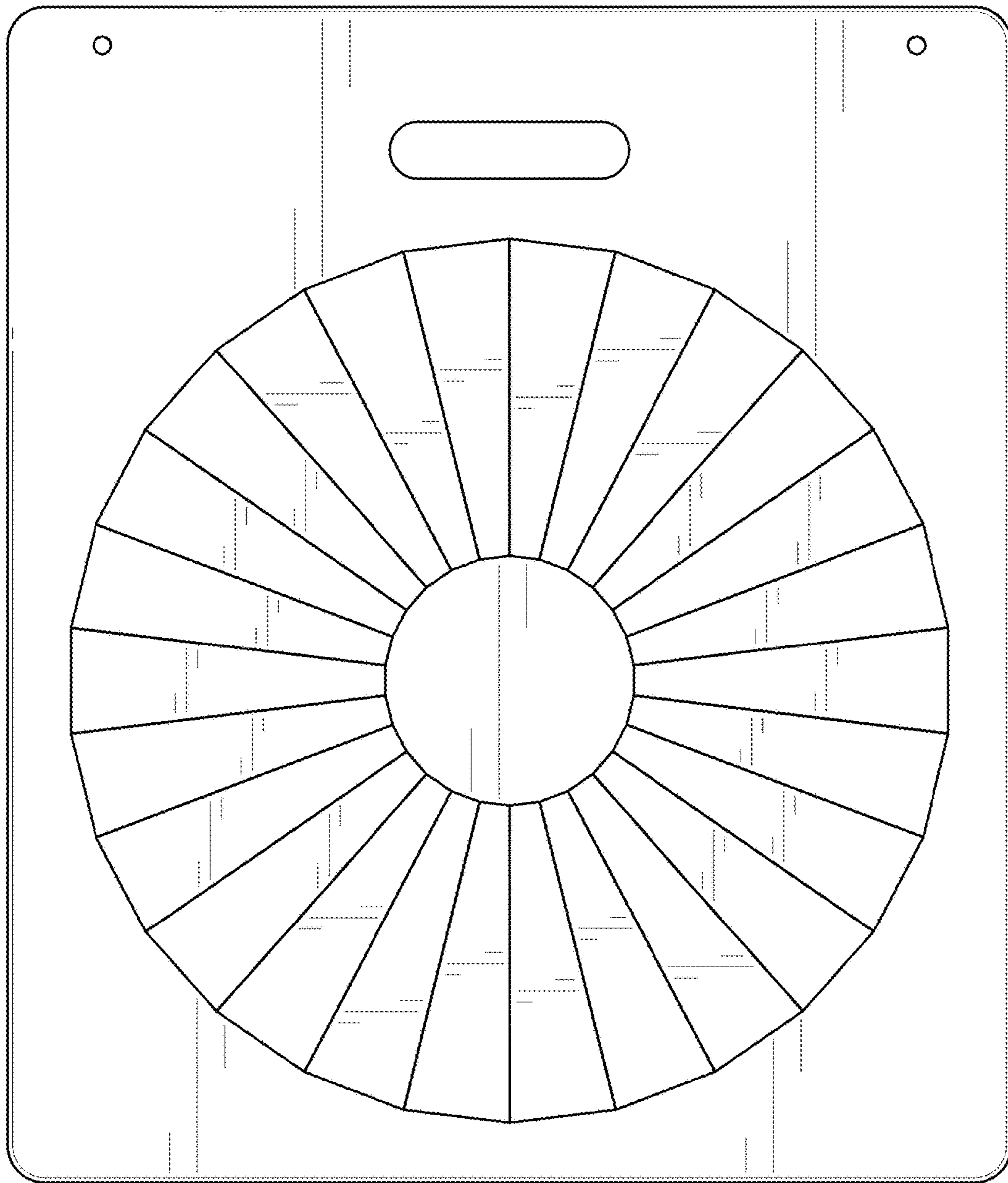


FIG. 2

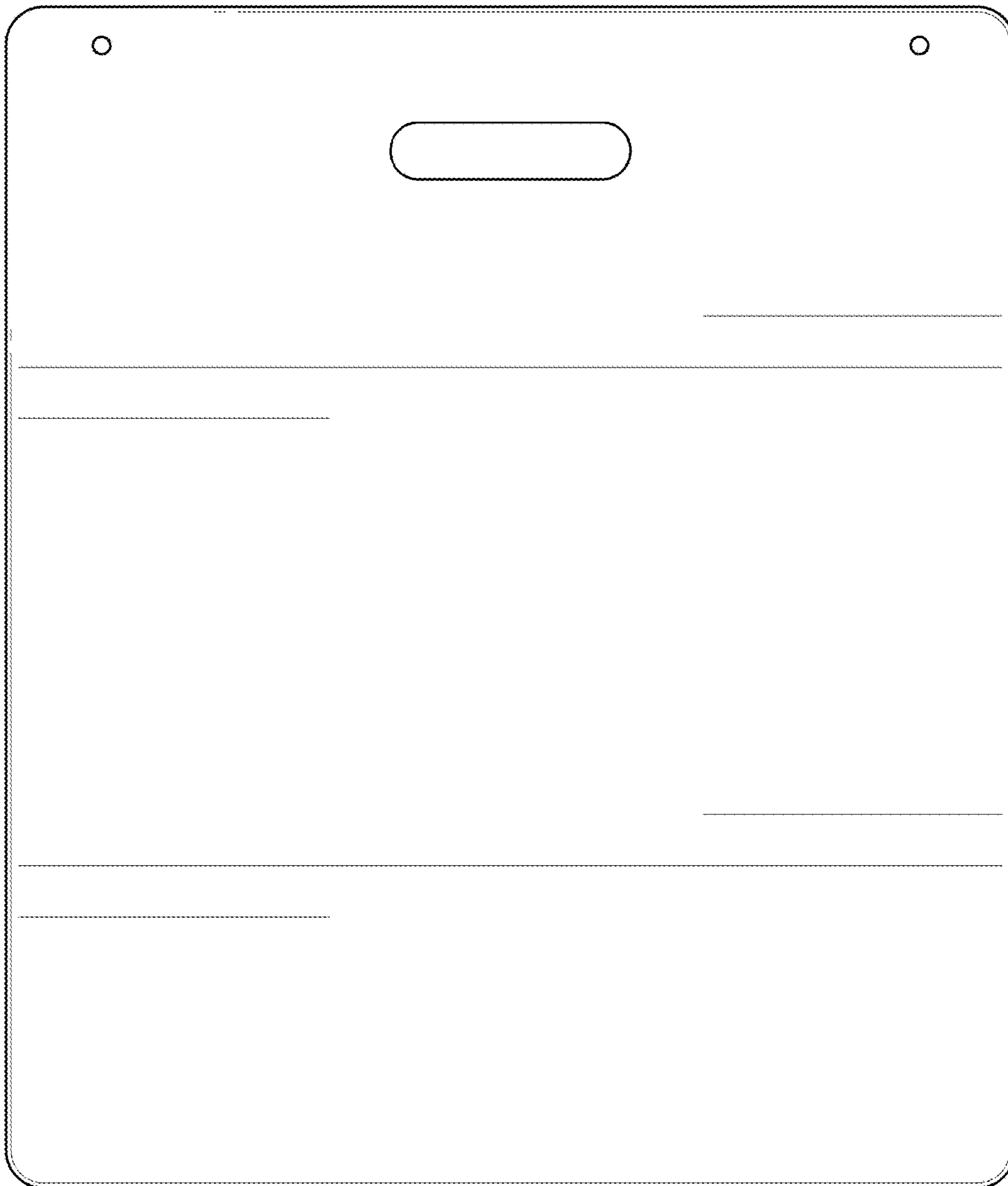


FIG. 3



FIG. 4

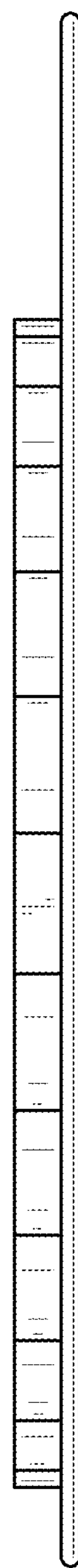


FIG. 5

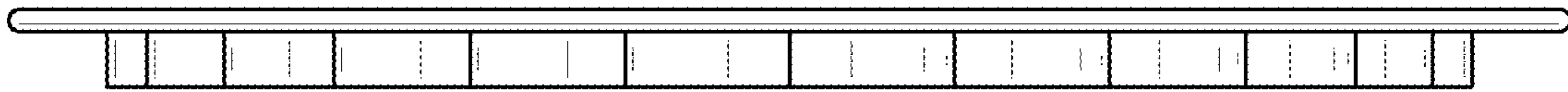


FIG. 6

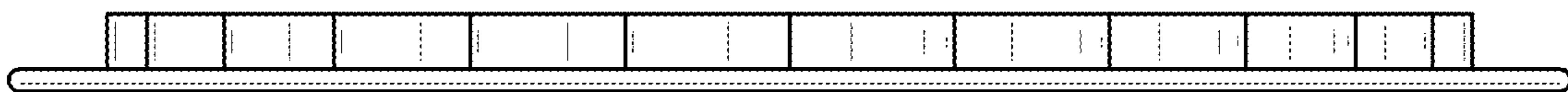


FIG. 7

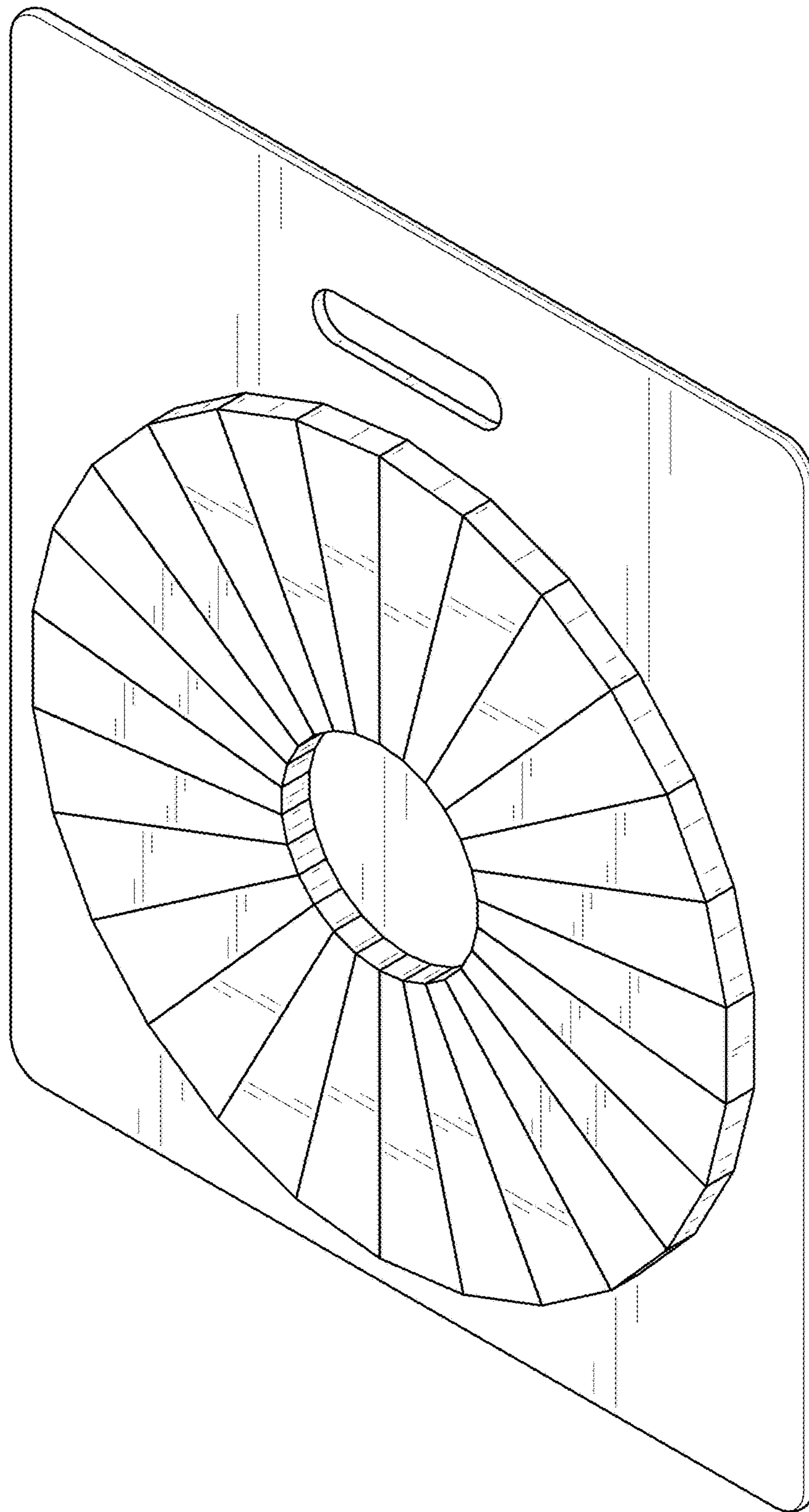


FIG. 8

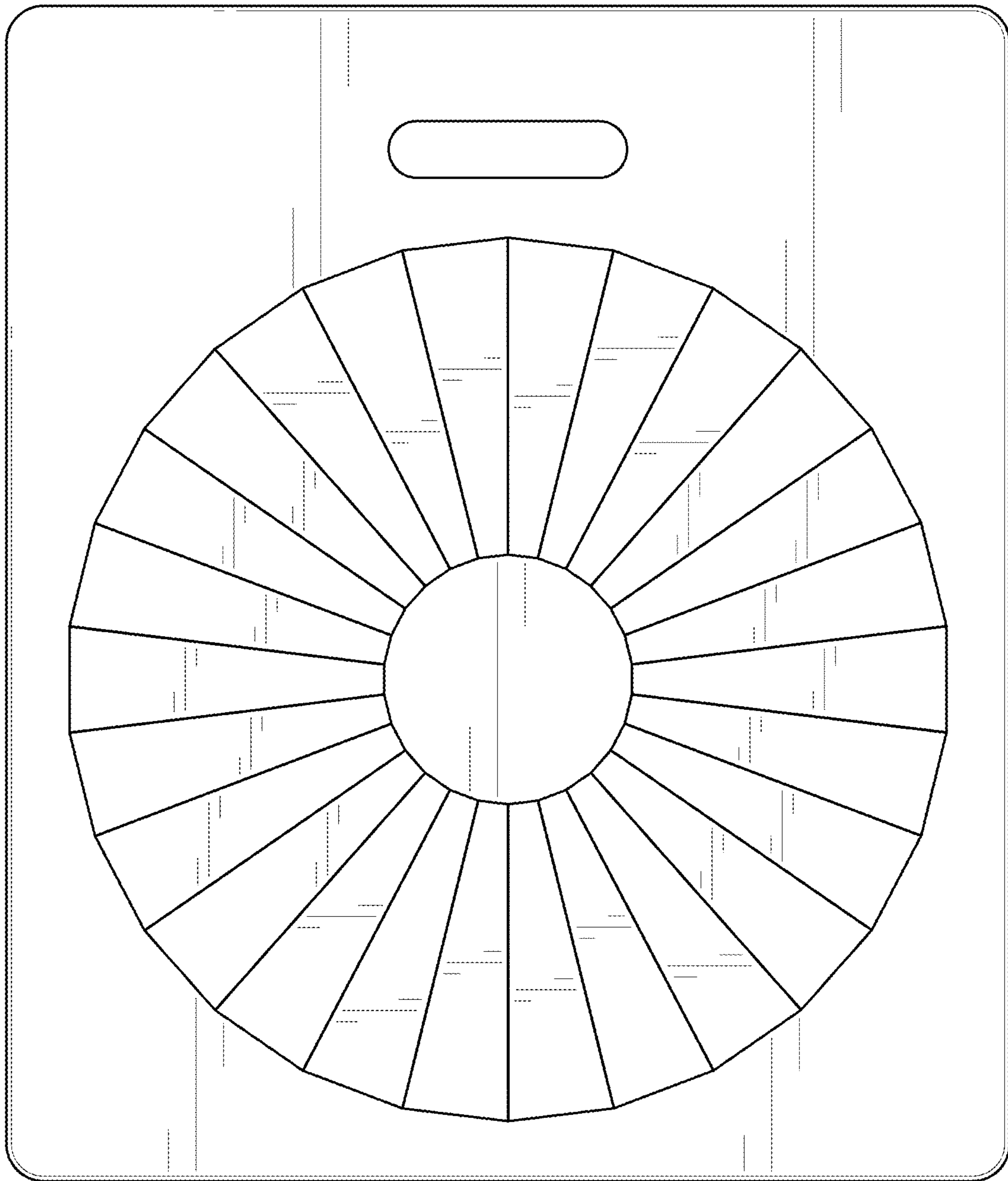


FIG. 9

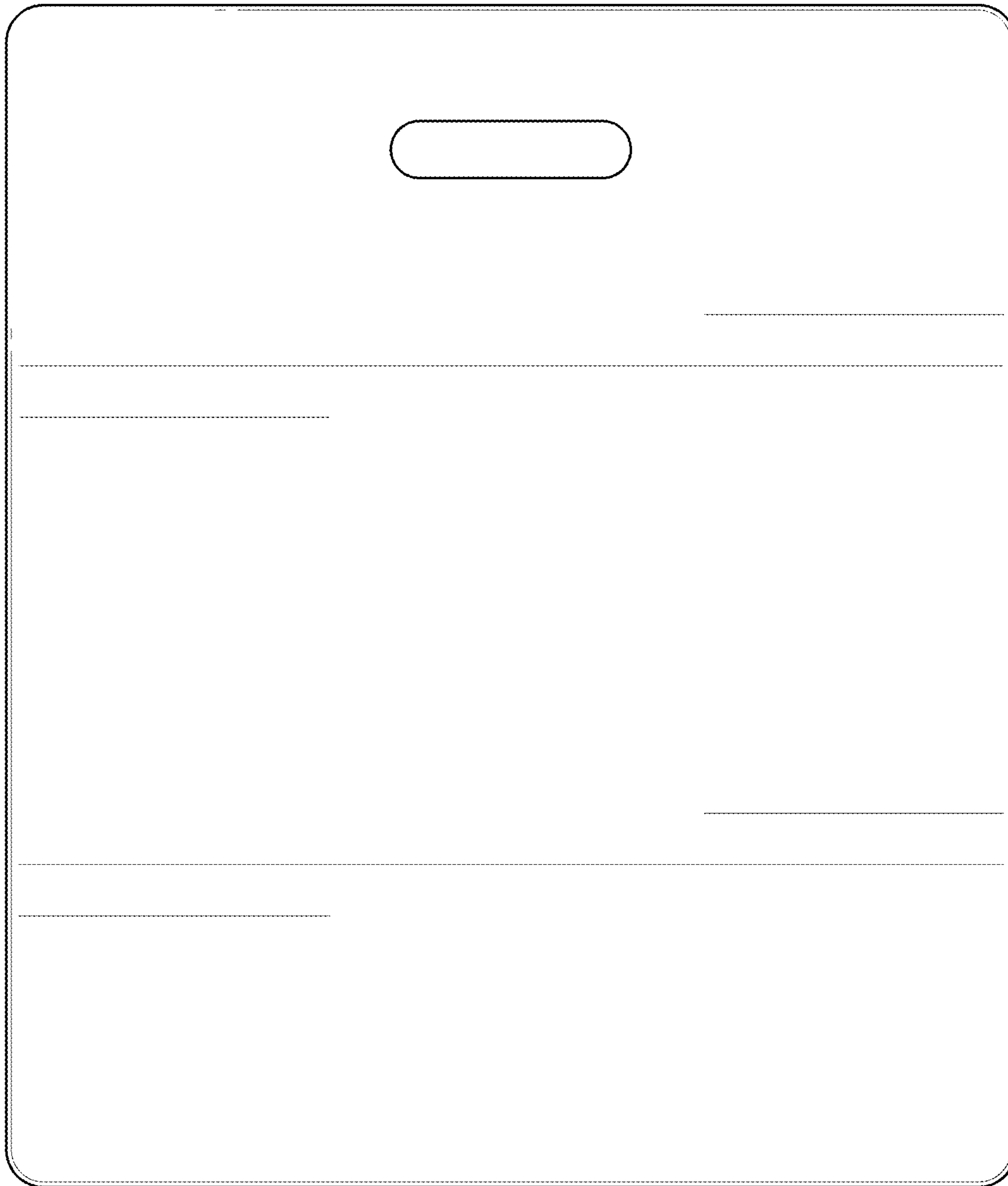


FIG. 10

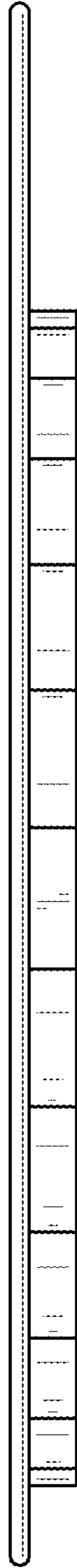


FIG. 11



FIG. 12

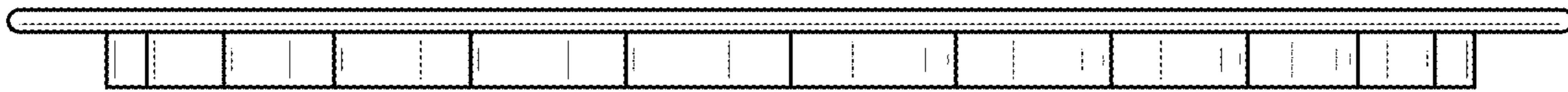


FIG. 13



FIG. 14