

US00D796579S

(12) **United States Design Patent**
Souhala

(10) **Patent No.:** **US D796,579 S**

(45) **Date of Patent:** **** Sep. 5, 2017**

(54) **LABEL HOLDER**

(71) Applicant: **Alex Souhala**, Rockford, IL (US)

(72) Inventor: **Alex Souhala**, Rockford, IL (US)

(73) Assignee: **Southern Imperial, Inc.**, Rockford, IL (US)

(**) Term: **15 Years**

(21) Appl. No.: **29/544,179**

(22) Filed: **Oct. 30, 2015**

(51) **LOC (10) Cl.** **20-03**

(52) **U.S. Cl.**
USPC **D20/43**

(58) **Field of Classification Search**
USPC D20/10, 19, 43, 44, 99; D25/119, 121
CPC ... G09F 1/10; G09F 1/103; G09F 1/12; G09F
2001/106; G09F 3/18; G09F 3/185; G09F
3/20; G09F 3/201; G09F 3/204
See application file for complete search history.

(56) **References Cited**

U.S. PATENT DOCUMENTS

D480,434 S * 10/2003 Brinkman D20/43
D546,892 S * 7/2007 Bruegmann D20/44
7,325,348 B2 * 2/2008 Mueller G09F 3/204
40/649
D573,656 S * 7/2008 Wamsley D20/43

D640,750 S * 6/2011 Bird D20/44
D692,955 S * 11/2013 Kopco D20/43
D704,774 S * 5/2014 Kopco D20/43
D705,359 S * 5/2014 Kopco D20/43
9,038,300 B2 * 5/2015 Theisen G09F 3/204
40/658

* cited by examiner

Primary Examiner — Mary Ann Calabrese

(74) *Attorney, Agent, or Firm* — Reinhart Boerner Van Deuren P.C.

(57) **CLAIM**

I claim the ornamental design for the label holder, as shown and described.

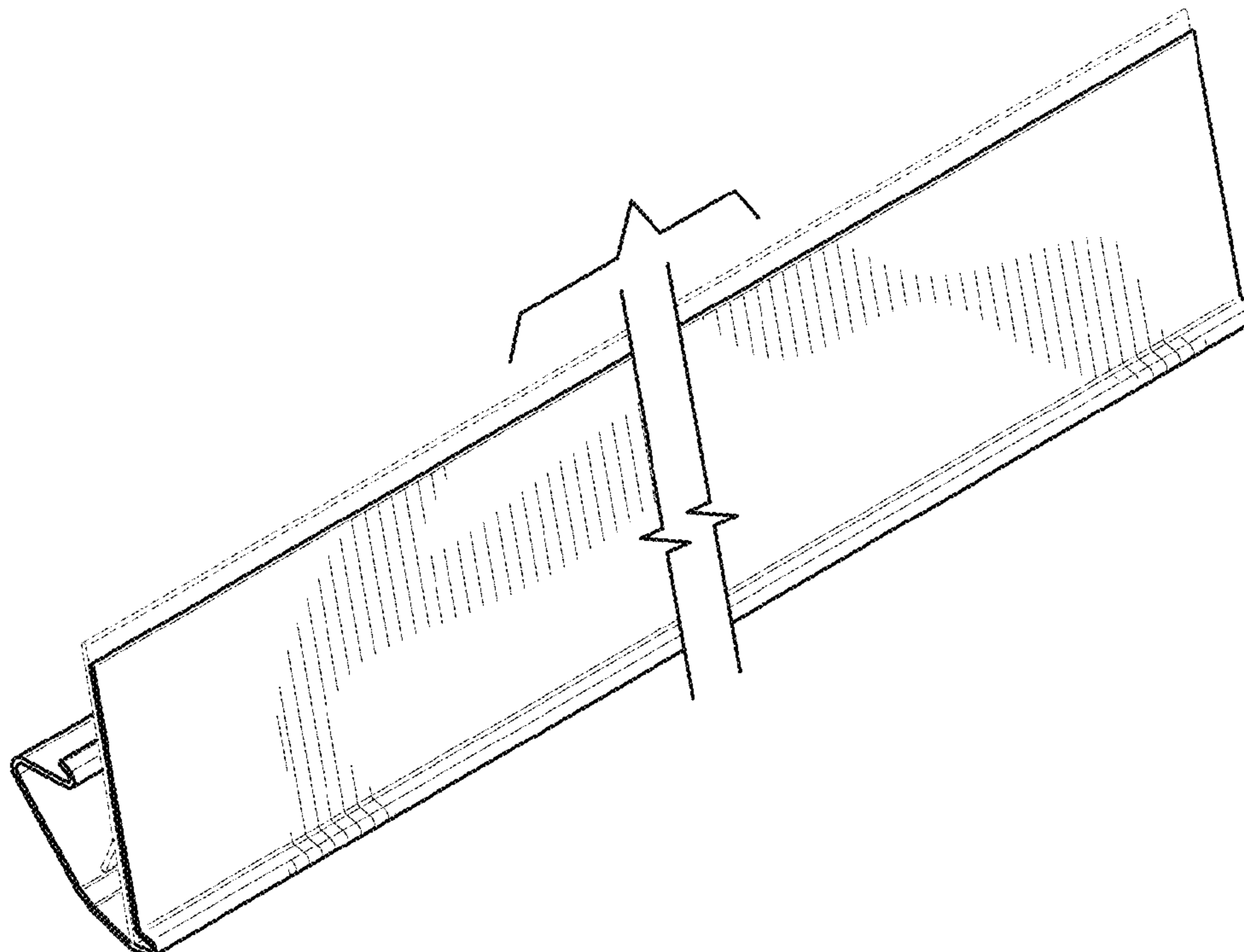
DESCRIPTION

FIG. 1 is a broken perspective view of the label holder; FIGS. 2 and 3 are additional broken perspective views of the label holder; FIG. 4 is a side view thereof; FIG. 5 is a side view thereof showing the side opposite that shown in FIG. 4; FIG. 6 is a top view thereof; FIG. 7 is a front view thereof; FIG. 8 is a bottom view thereof; and, FIG. 9 is a back view thereof.

For ease of illustration, a portion of the label holder in FIGS. 1-3 and 6-9 is shown broken away, as the appearance of the label holder between the break lines forms no part of the claimed design.

The broken lines used in the views indicate portions of the label holder which form no part of the claimed design.

1 Claim, 4 Drawing Sheets



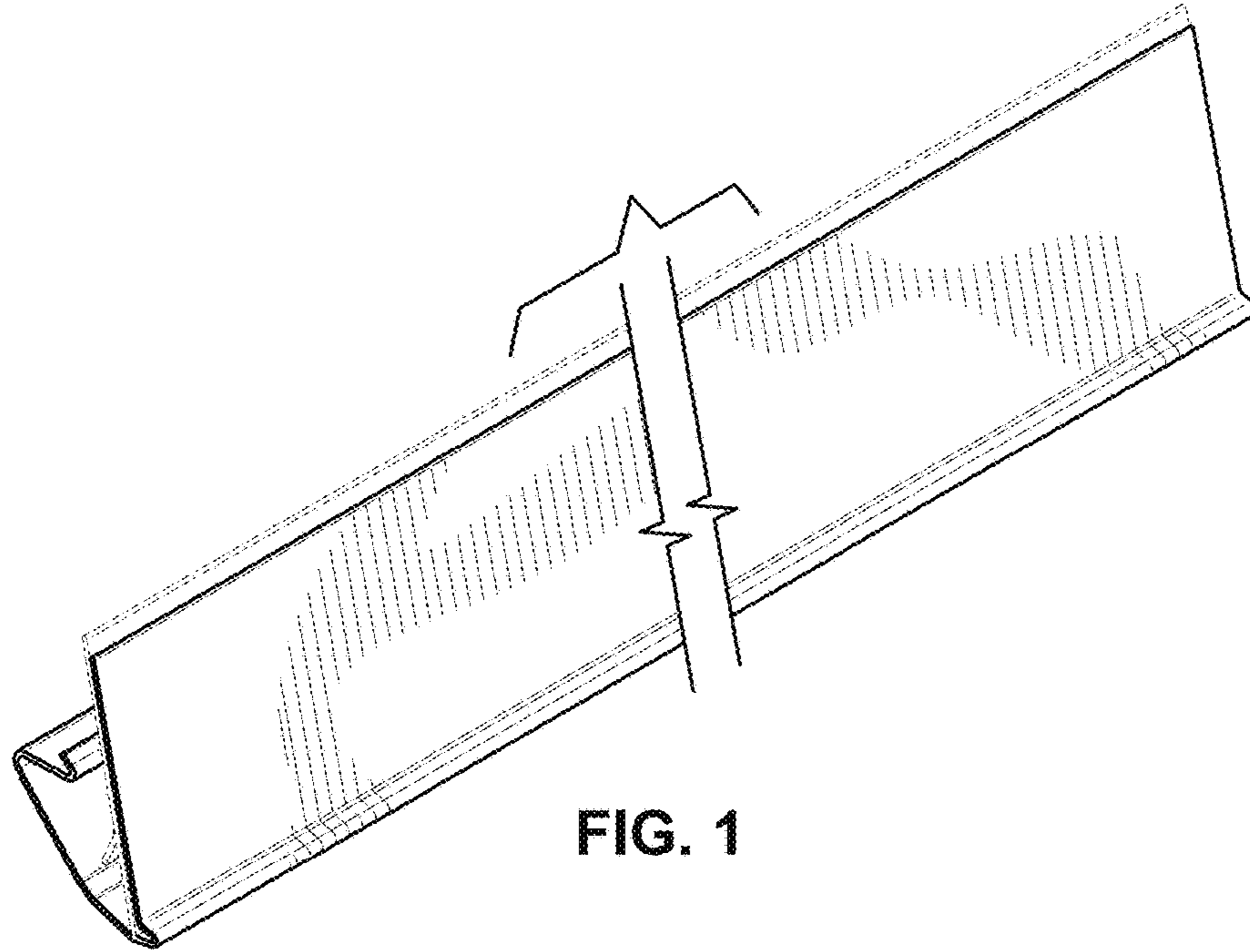


FIG. 1

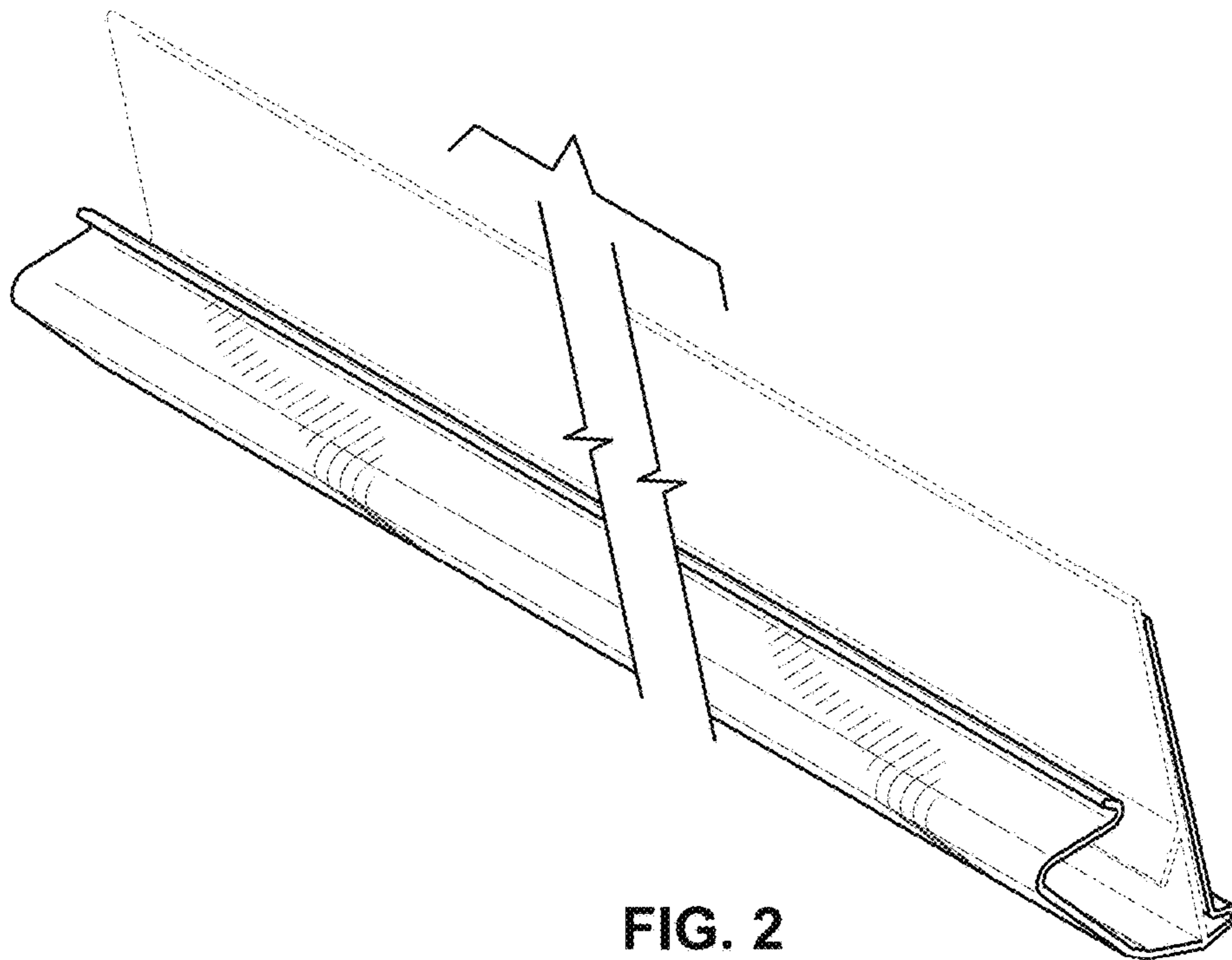


FIG. 2

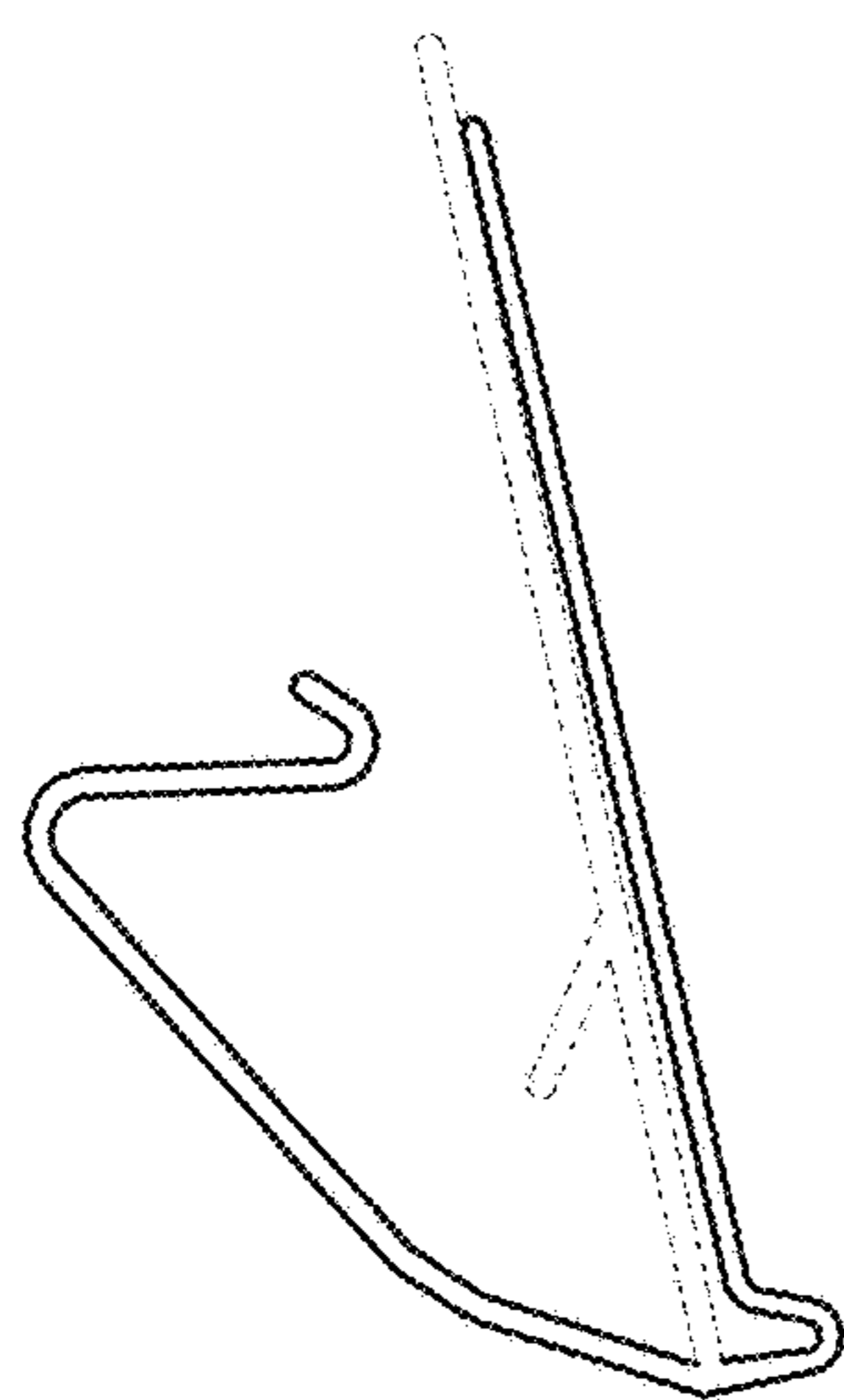
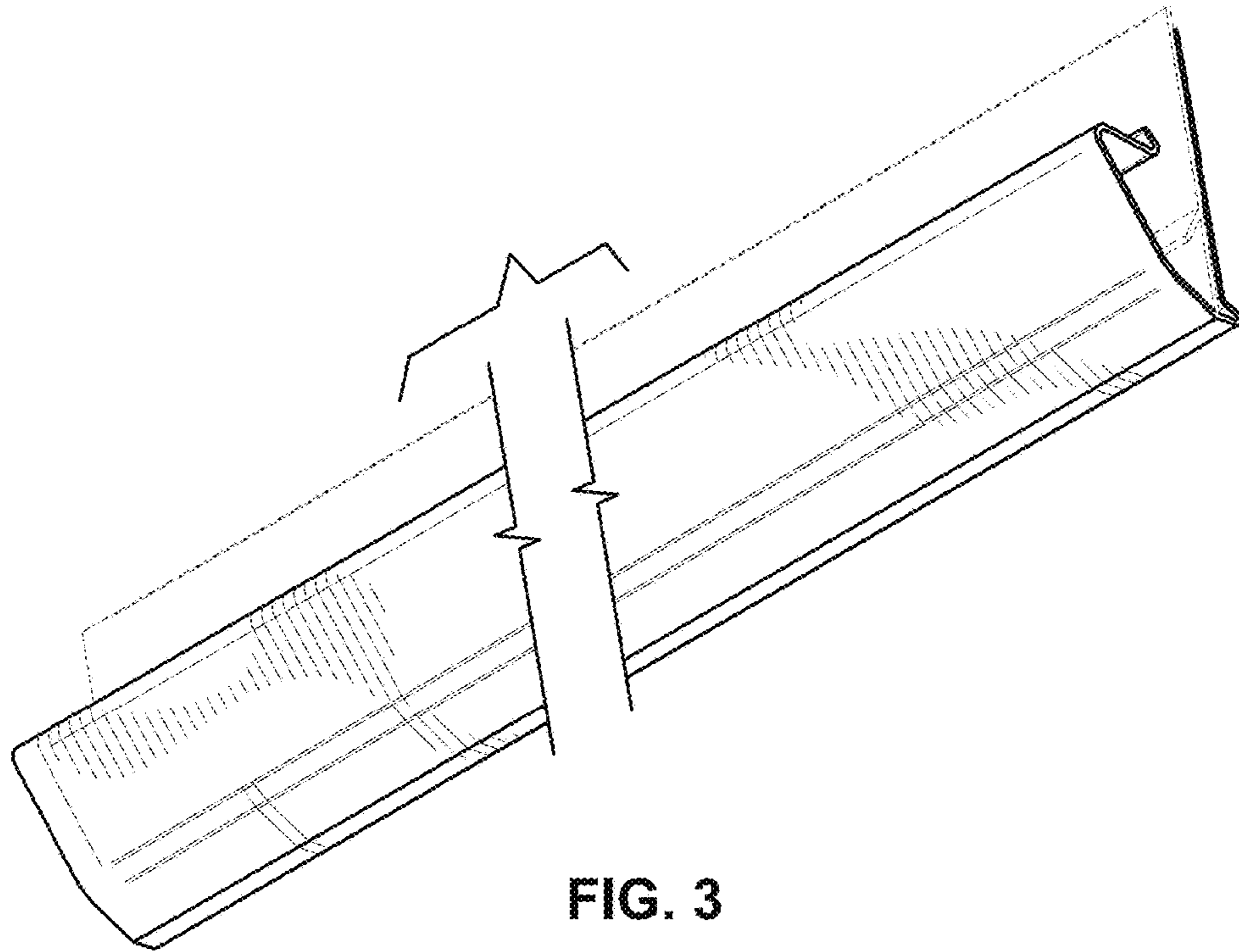


FIG. 4

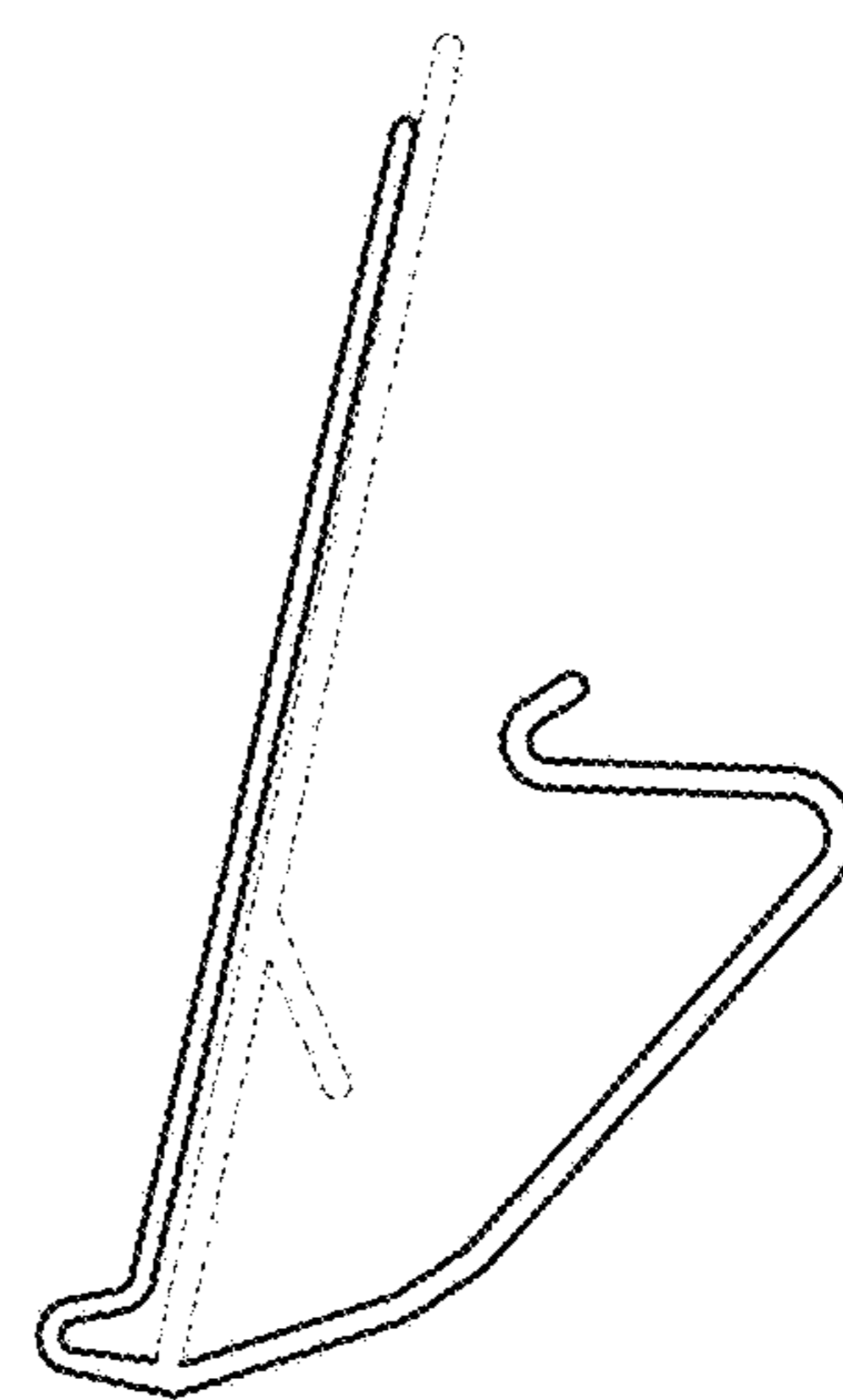


FIG. 5

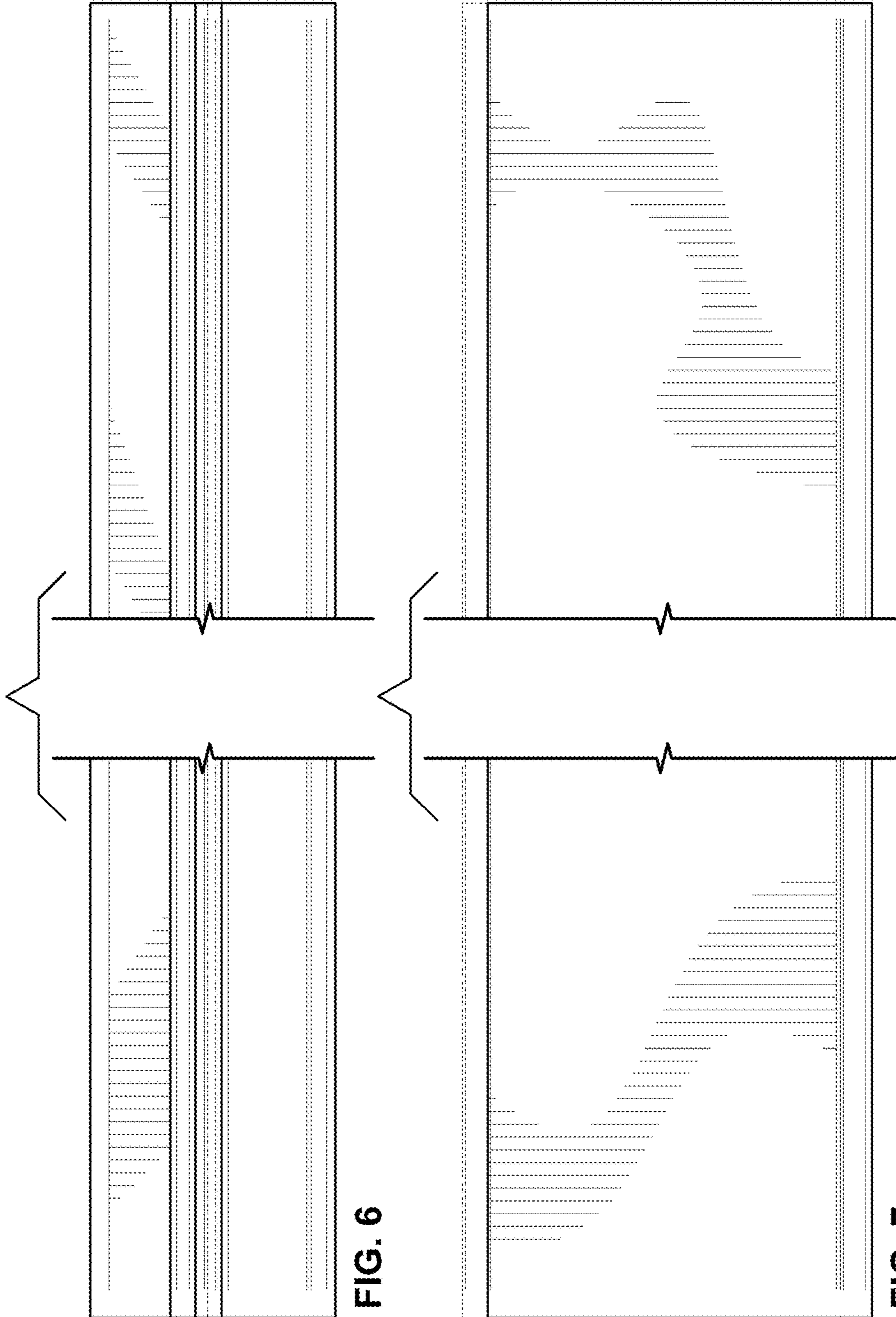


FIG. 6

FIG. 7

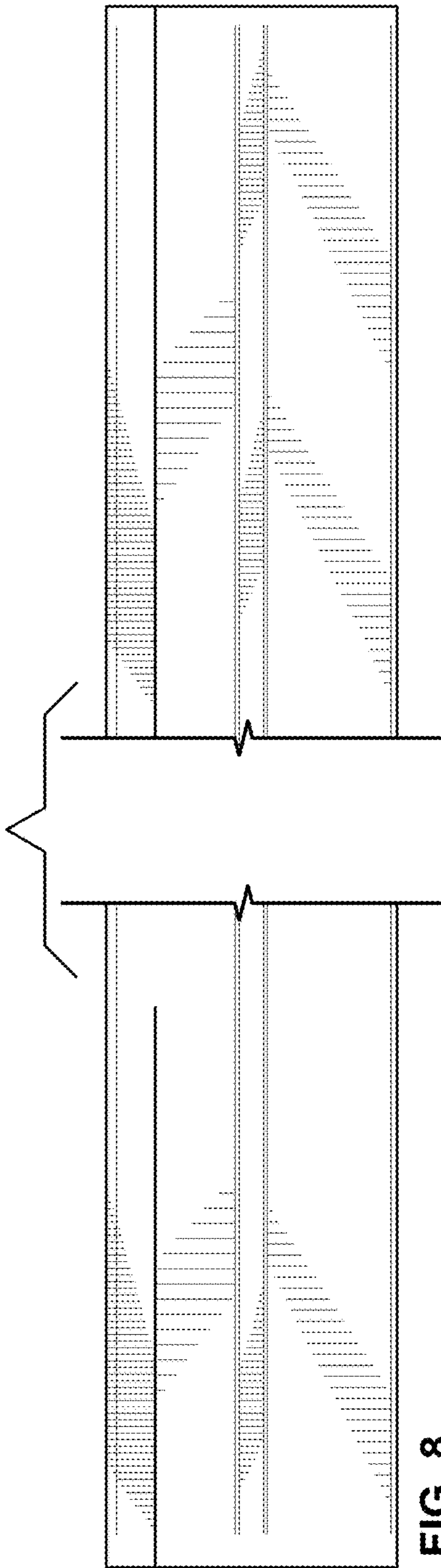


FIG. 8

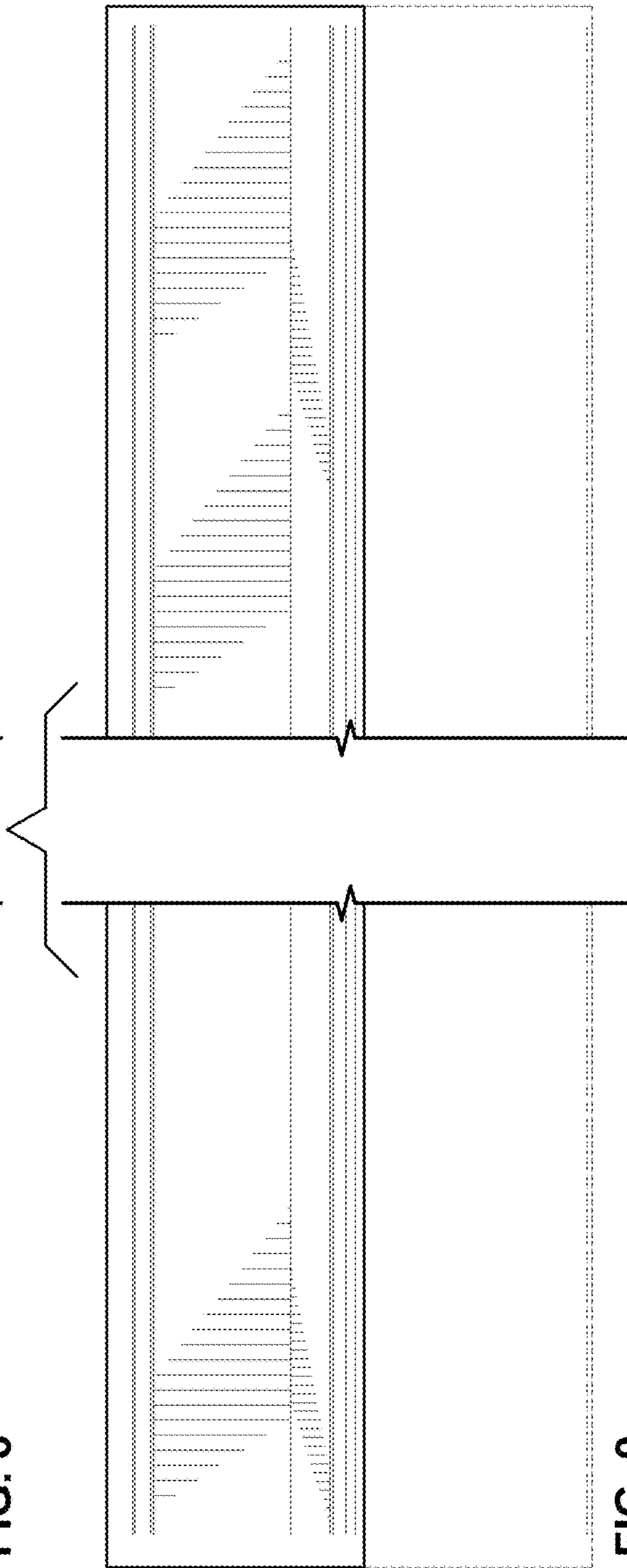


FIG. 9