



US00D796577S

(12) **United States Design Patent**
Huang

(10) **Patent No.:** **US D796,577 S**

(45) **Date of Patent:** **** Sep. 5, 2017**

(54) **ELECTRONIC BOOKMARK**

(71) Applicant: **E Ink Holdings Inc.**, Hsinchu (TW)

(72) Inventor: **Hsin-Yi Huang**, Hsinchu (TW)

(73) Assignee: **E Ink Holdings Inc.**, Hsinchu (TW)

(**) Term: **15 Years**

(21) Appl. No.: **29/536,183**

(22) Filed: **Aug. 14, 2015**

(30) **Foreign Application Priority Data**

Apr. 30, 2015 (TW) 104302276

(51) **LOC (10) Cl.** **19-99**

(52) **U.S. Cl.**
USPC **D19/34**

(58) **Field of Classification Search**
USPC D19/32-34, 26-31, 34.1-34.5, 124
(Continued)

(56) **References Cited**

U.S. PATENT DOCUMENTS

D230,746 S * 3/1974 Root D21/576
5,103,758 A 4/1992 Clark
(Continued)

FOREIGN PATENT DOCUMENTS

CN 302889329 * 7/2014
TW M410666 9/2011

OTHER PUBLICATIONS

Etsy. <URL: <https://www.etsy.com/listing/101092340/hedgehog-card-brown-hedgehog-girl-or-boy?ref=market>> Apr. 4, 2017. Hedgehog Card.*

(Continued)

Primary Examiner — Bridget L Eland

Assistant Examiner — Lauren McVey

(74) *Attorney, Agent, or Firm* — Jianq Chyun IP Office

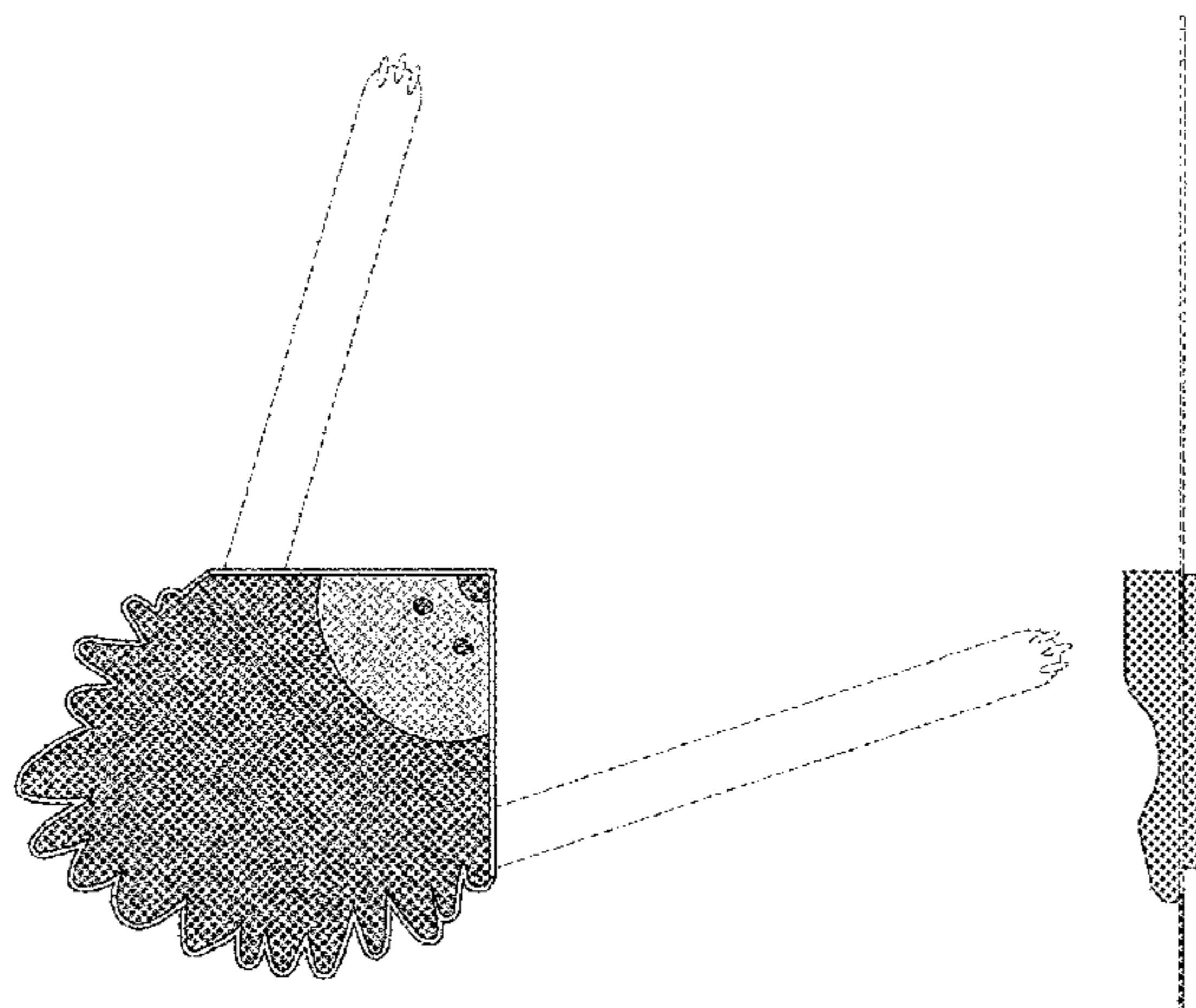
(57) **CLAIM**

The ornamental design for an electronic bookmark, as shown and described.

DESCRIPTION

FIG. 1 is a front perspective view of an electronic bookmark, showing my new design in a sixth alternate state of use; FIG. 2 is a front elevation view of the electronic bookmark shown in a first state of use; FIG. 3 is a rear view thereof; FIG. 4 is a left side view thereof; FIG. 5 is a right side view thereof; FIG. 6 is a top elevation view thereof; FIG. 7 is a bottom view thereof; FIG. 8 is another front view thereof shown in a second alternate state of use; FIG. 9 is another front view thereof shown in a third alternate state of use; FIG. 10 is another front view thereof shown in a fourth alternate state of use; FIG. 11 is another front view thereof shown in a fifth alternate state of use; FIG. 12 is another front view thereof shown in the sixth state of use; FIG. 13 is another front view thereof shown in a seventh alternate state of use; FIG. 14 is another front view thereof shown in an eighth alternate state of use; FIG. 15 is another front view of the electronic bookmark, showing the sixth state of use in an environment; FIG. 16 is another right side view thereof in an environment; and, FIG. 17 is another rear view thereof in an environment. The evenly spaced broken lines immediately adjacent the claim, encompassing regions that lack a tonal value, represent the bounds of the claimed design while all other evenly spaced and dot-dashed broken lines are directed to environ-

(Continued)



ment and are for illustrative purposes only; the broken lines form no part of the claimed design.

1 Claim, 15 Drawing Sheets

(58) Field of Classification Search

CPC B42D 3/004; B42D 3/006; B42D 9/00;
 B42D 9/001; B42D 9/002; B42D 9/004;
 B42D 9/005; B42D 9/007; B42D 9/008;
 B42D 9/02; B42D 9/65; E05B 19/0082

See application file for complete search history.

(56) References Cited

U.S. PATENT DOCUMENTS

D348,234	S *	6/1994	Thompson	D11/139
5,325,811	A *	7/1994	Miroyan	B42D 9/007 116/235
5,408,950	A	4/1995	Porto		
D472,921	S *	4/2003	Brevik	D19/34
D474,236	S *	5/2003	Brevik	D19/34

D475,410	S *	6/2003	Huang	D19/32
7,125,049	B2	10/2006	Goldberg et al.		
7,475,654	B2 *	1/2009	Scott	B42D 9/004 116/234
D603,467	S *	11/2009	Kelly	D21/656
D687,686	S *	8/2013	Robinson	D8/14
D702,289	S *	4/2014	Pascale	D19/99
D734,392	S *	7/2015	Quehl	D19/34
D755,620	S *	5/2016	Li	D8/395
2009/0114144	A1	5/2009	Keefe		
2013/0025530	A1	1/2013	Robbins et al.		
2016/0159134	A1 *	6/2016	Pabla	B42D 9/007 281/42

OTHER PUBLICATIONS

Can Stock Photo. <URL: <http://www.canstockphoto.com/doodle-hedgehog-27149764.html>> Apr. 4, 2017. Hedgehog clip art.*
 Amazon. <URL: https://www.amazon.com/Porcupine-Night-Owl-Paper-Goods/dp/B00KSJEDHY/ref=sr_1_fkmr0_1?s=office-products&ie=UTF8&qid=1491323693&sr=1-1-fkmr0&keywords=animated+bookmarks+porcupine> Dec. 1, 2015. Porcupine Bookmark.*

* cited by examiner

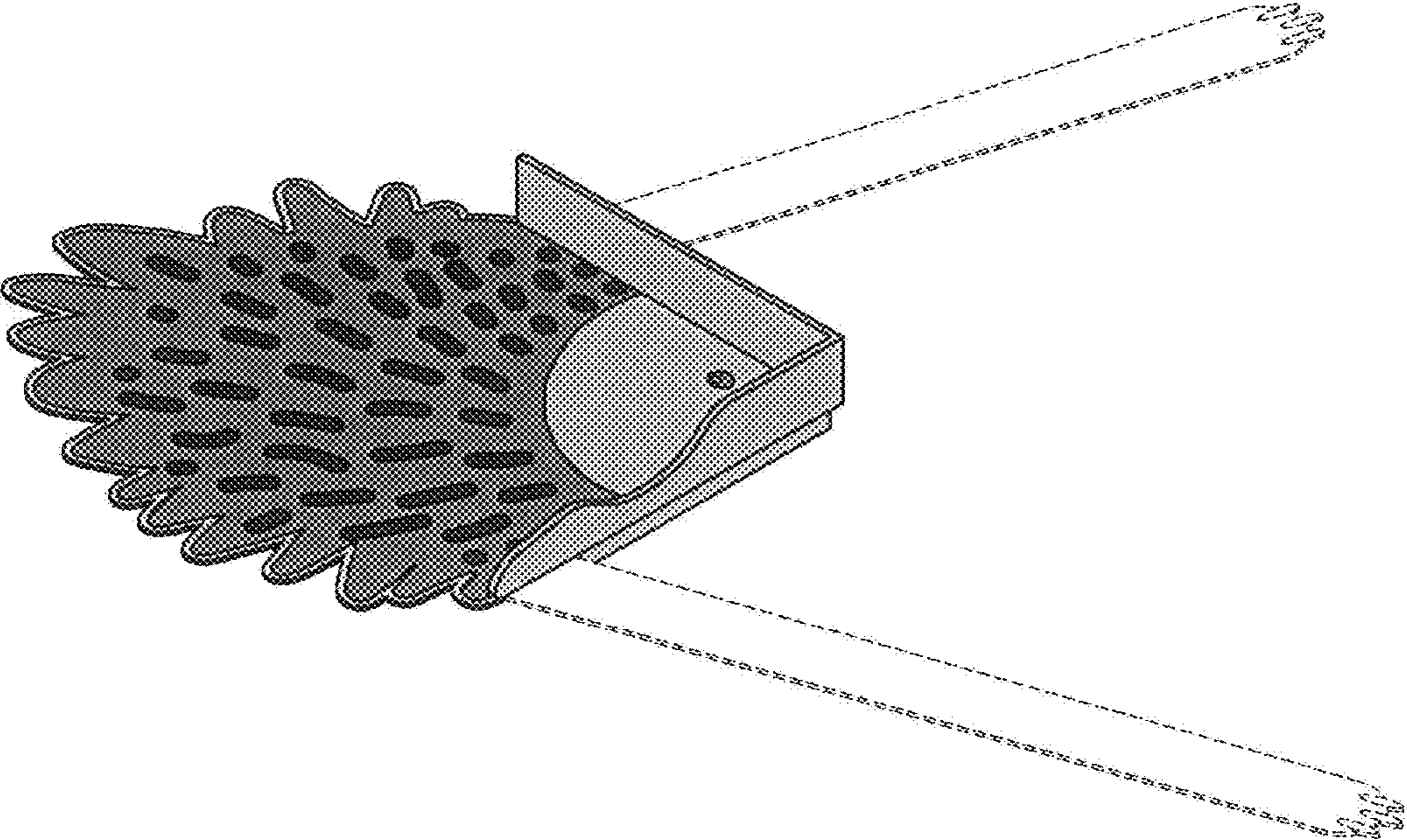


FIG. 1

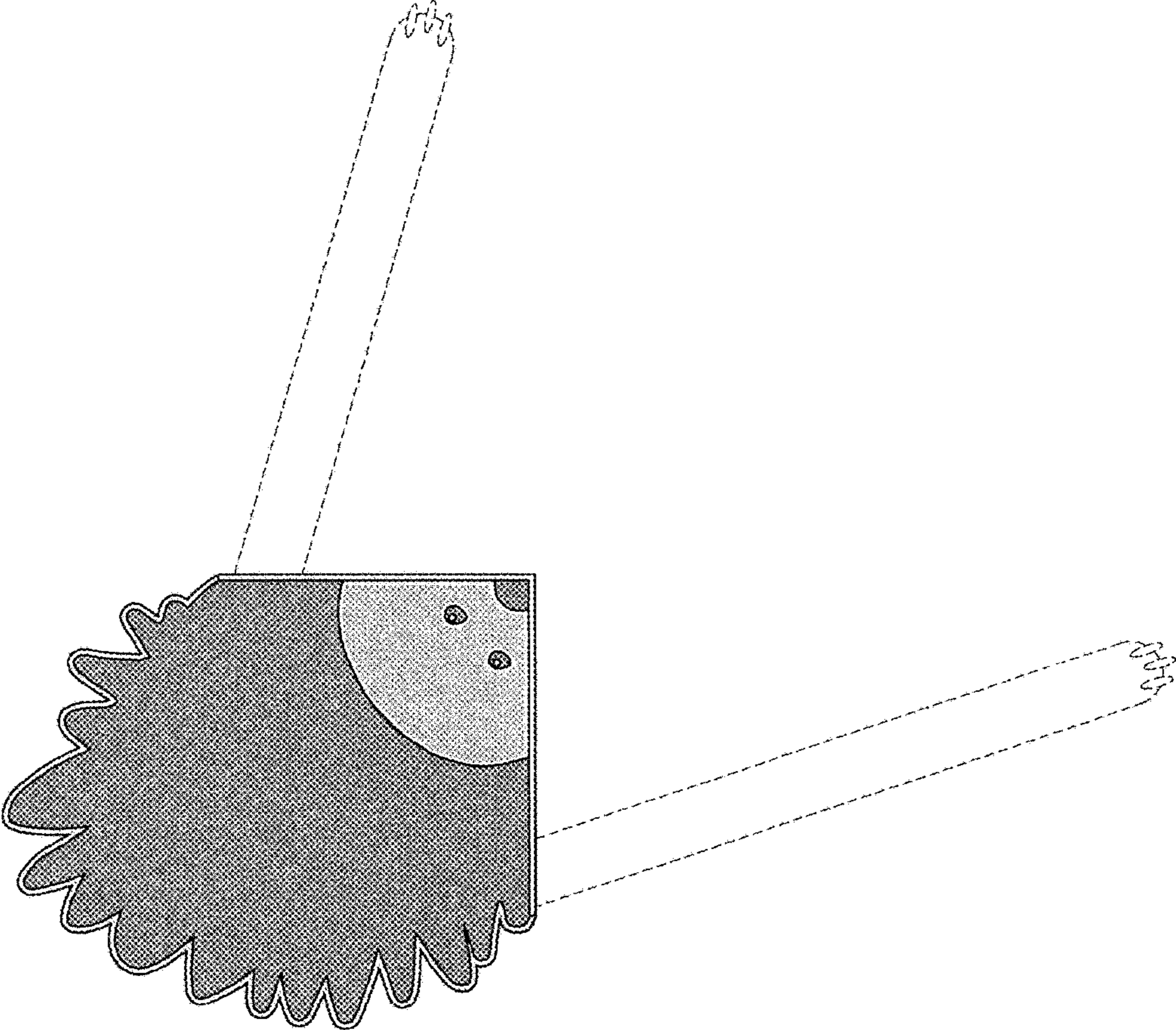


FIG. 2

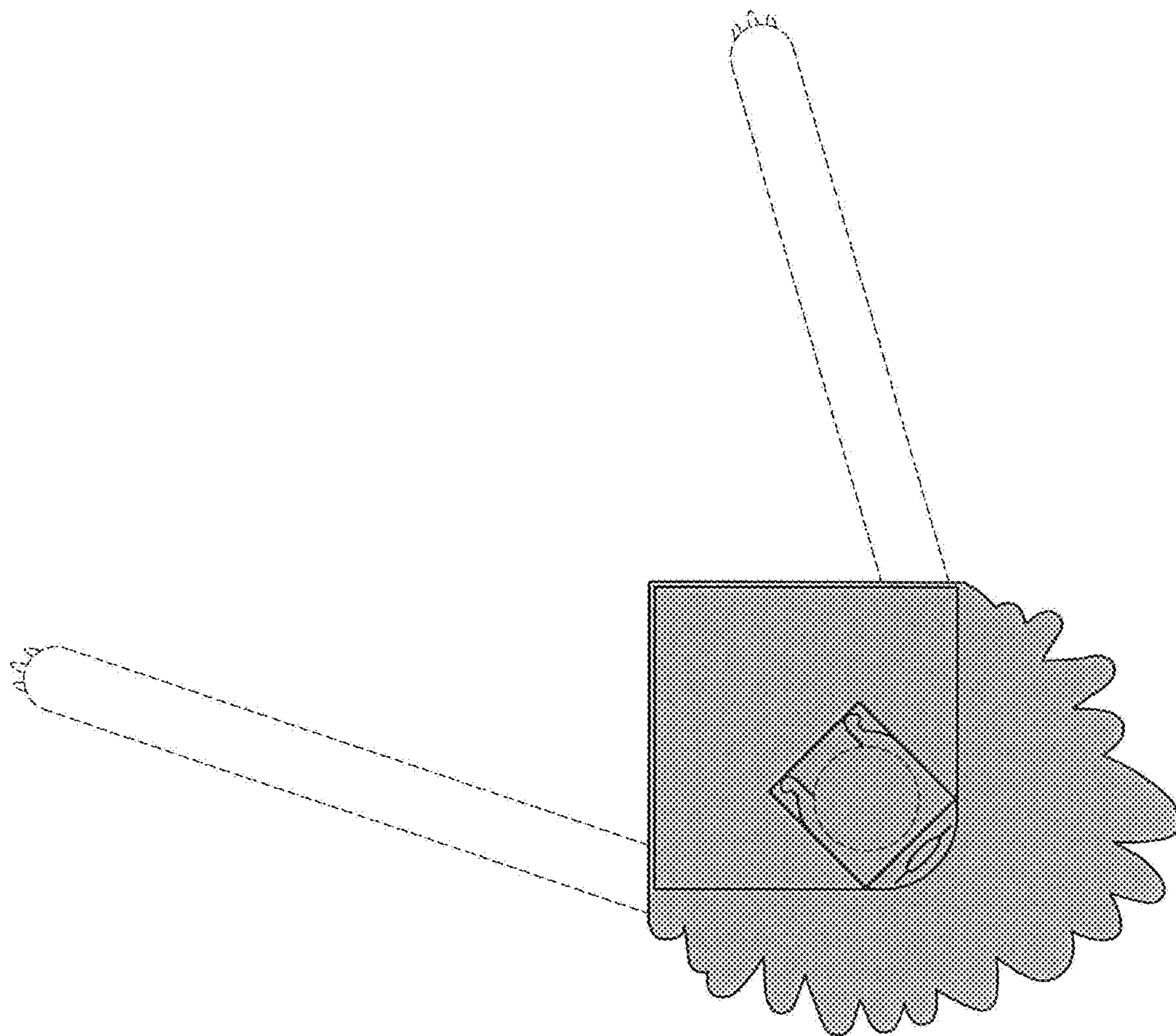


FIG. 3

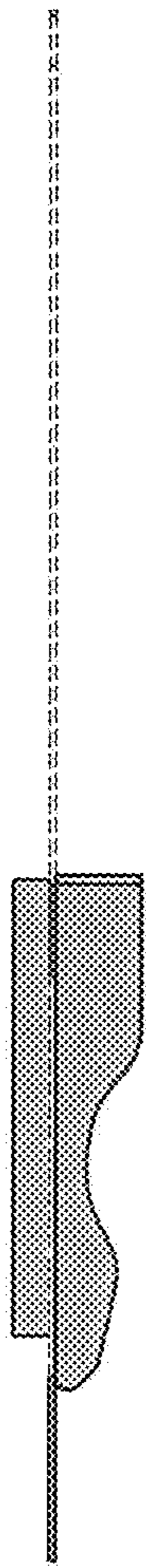


FIG. 4

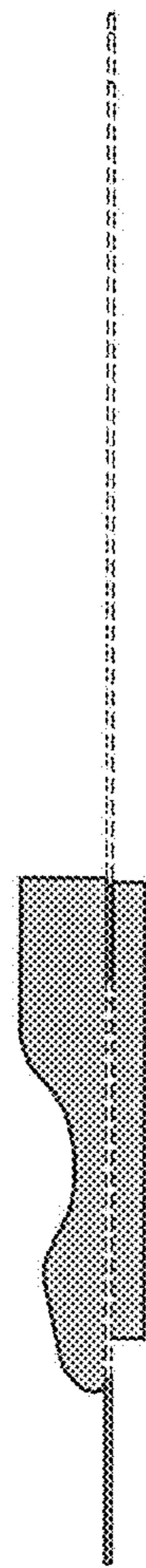


FIG. 5

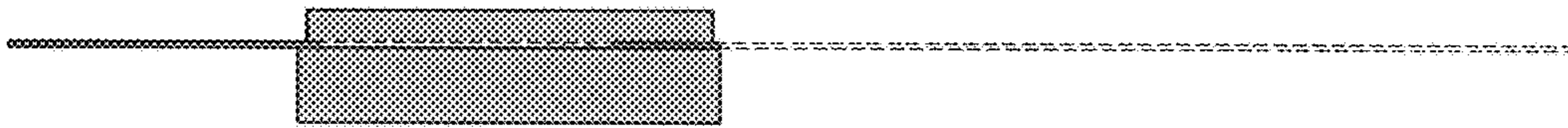


FIG. 6

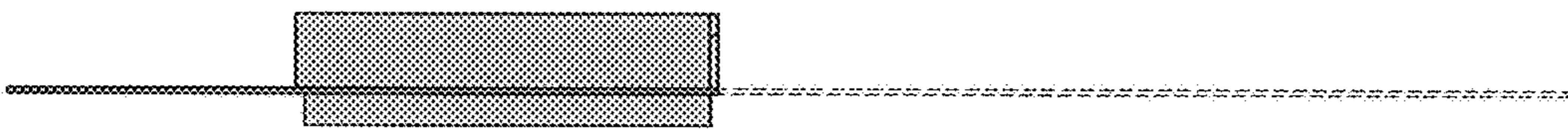


FIG. 7

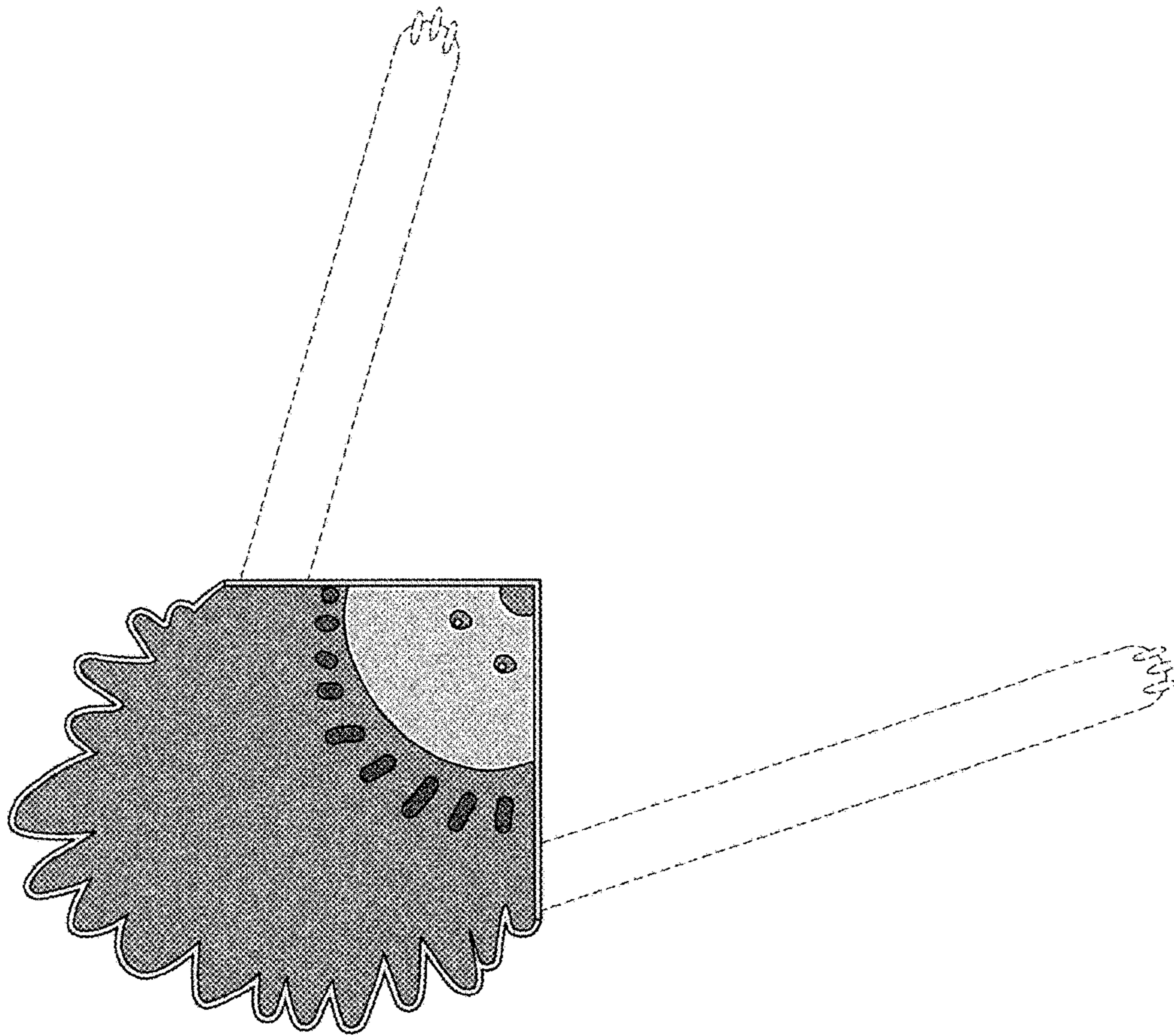


FIG. 8

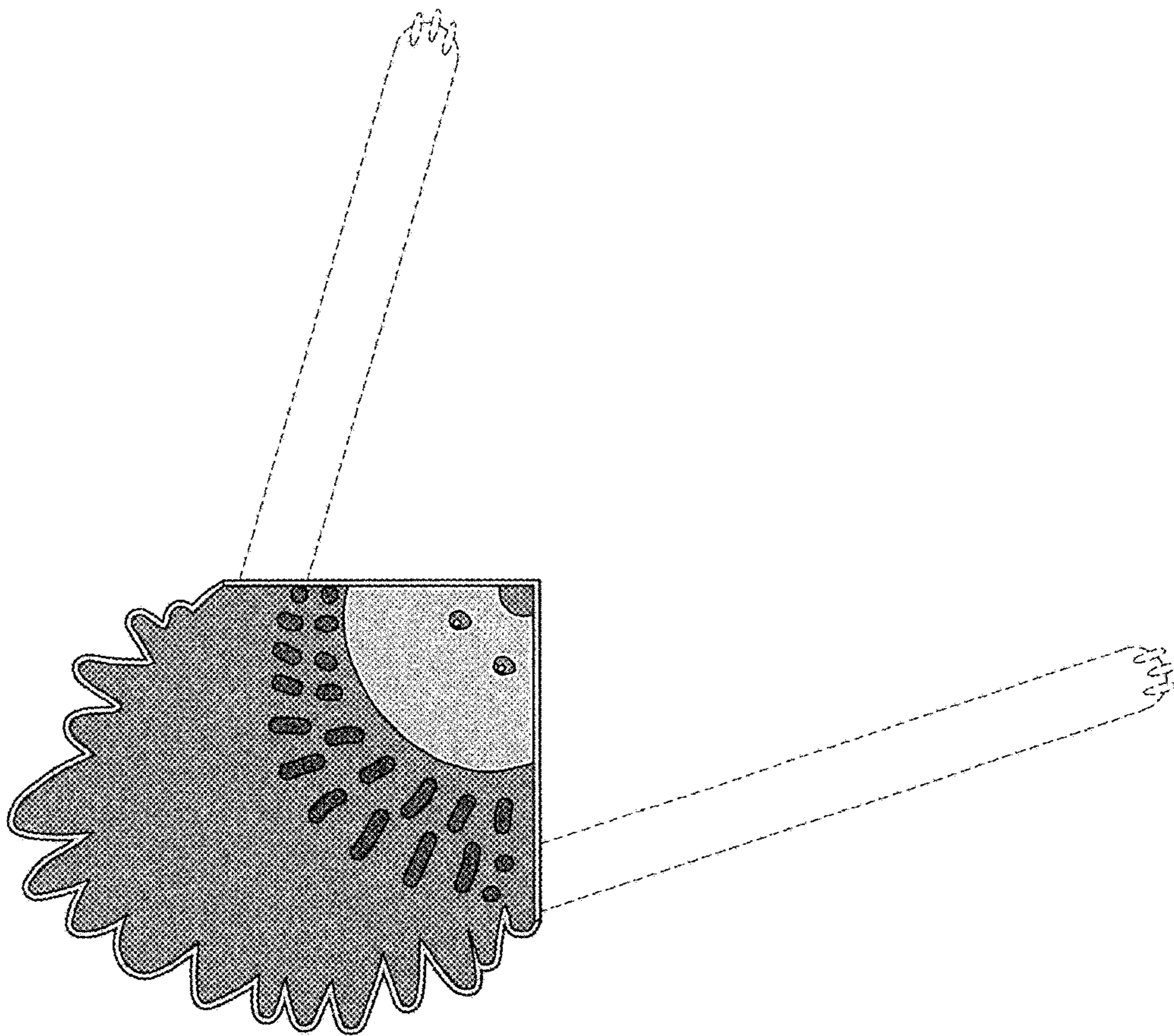


FIG. 9

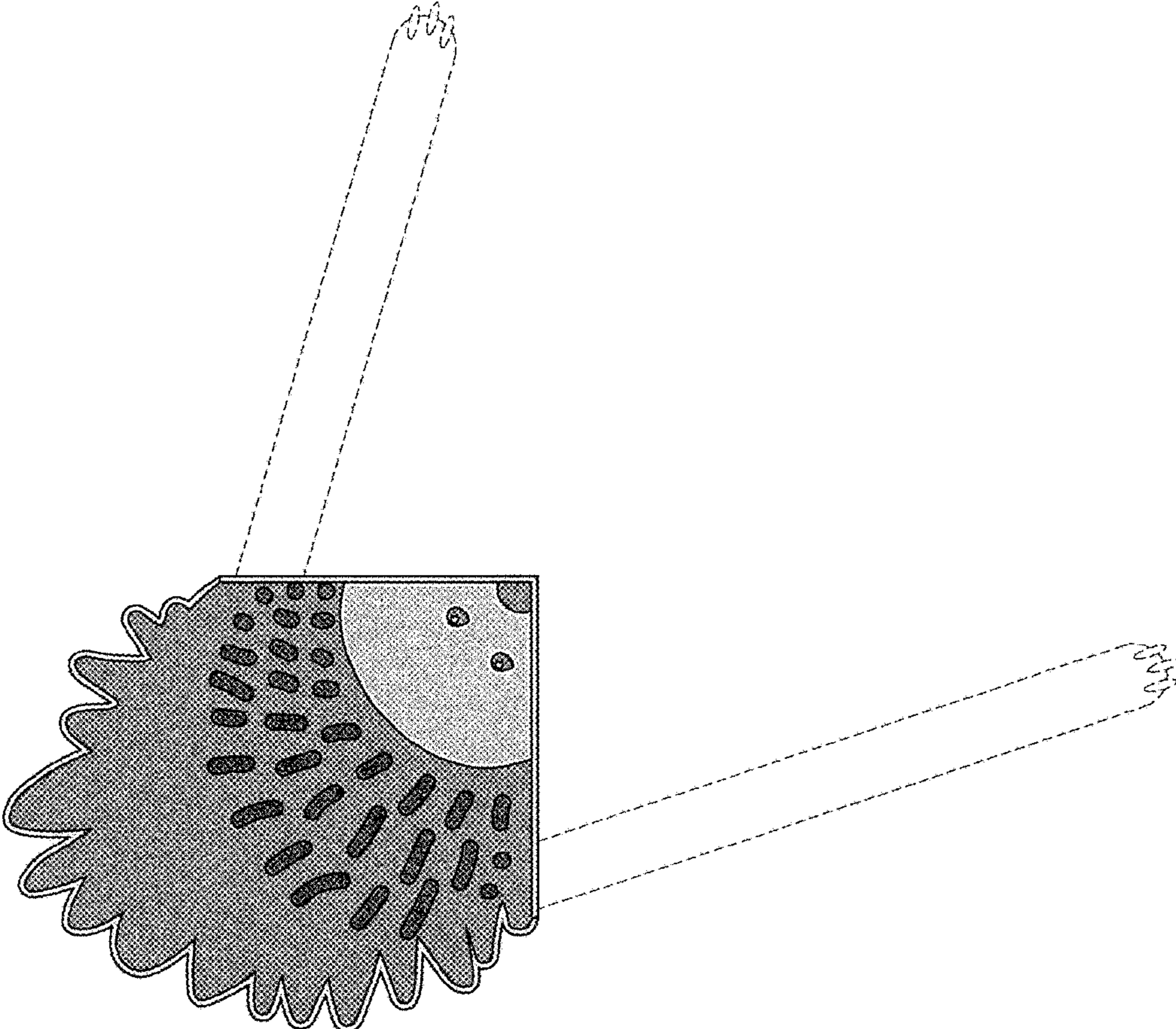


FIG. 10

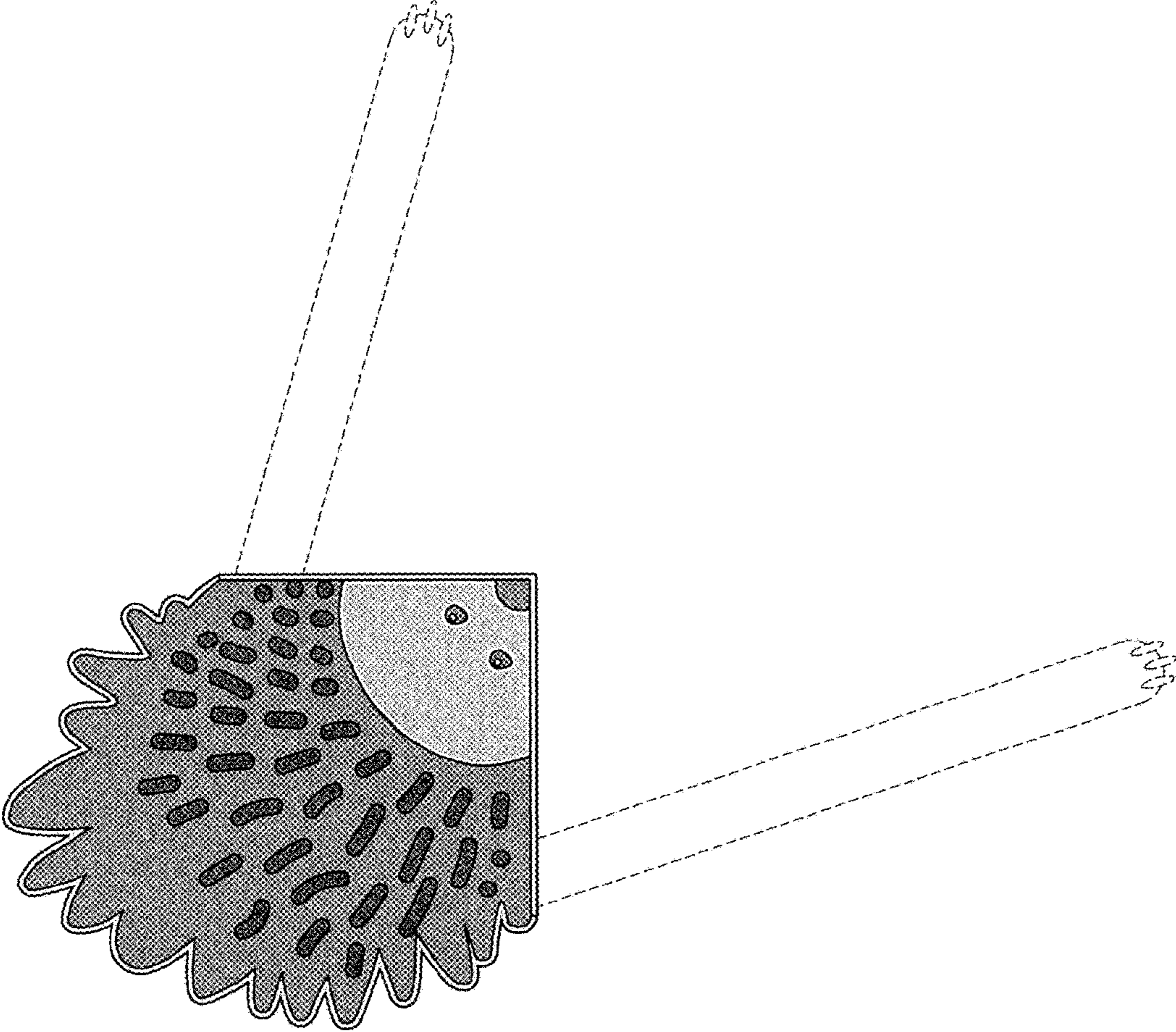


FIG. 11

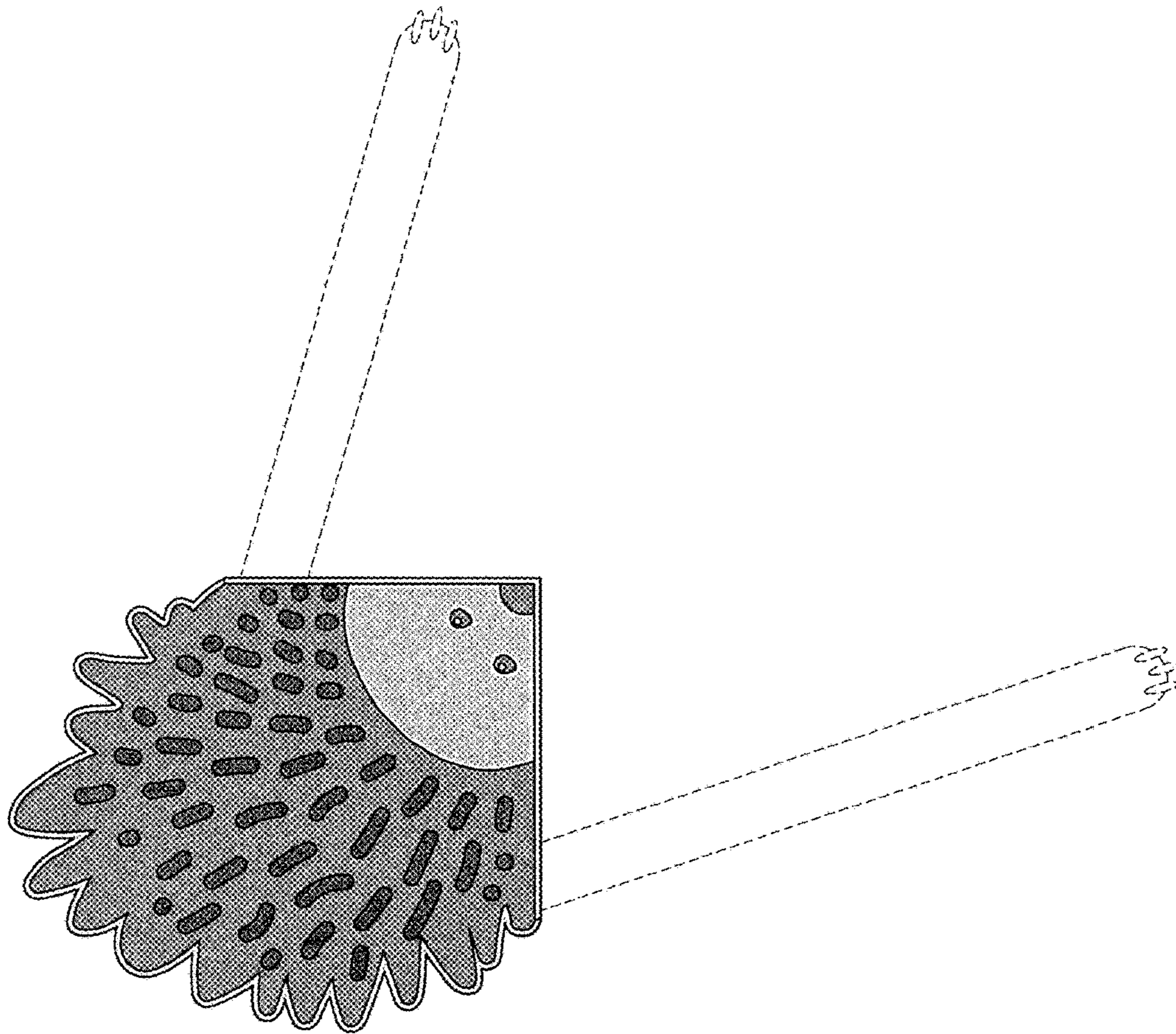


FIG. 12

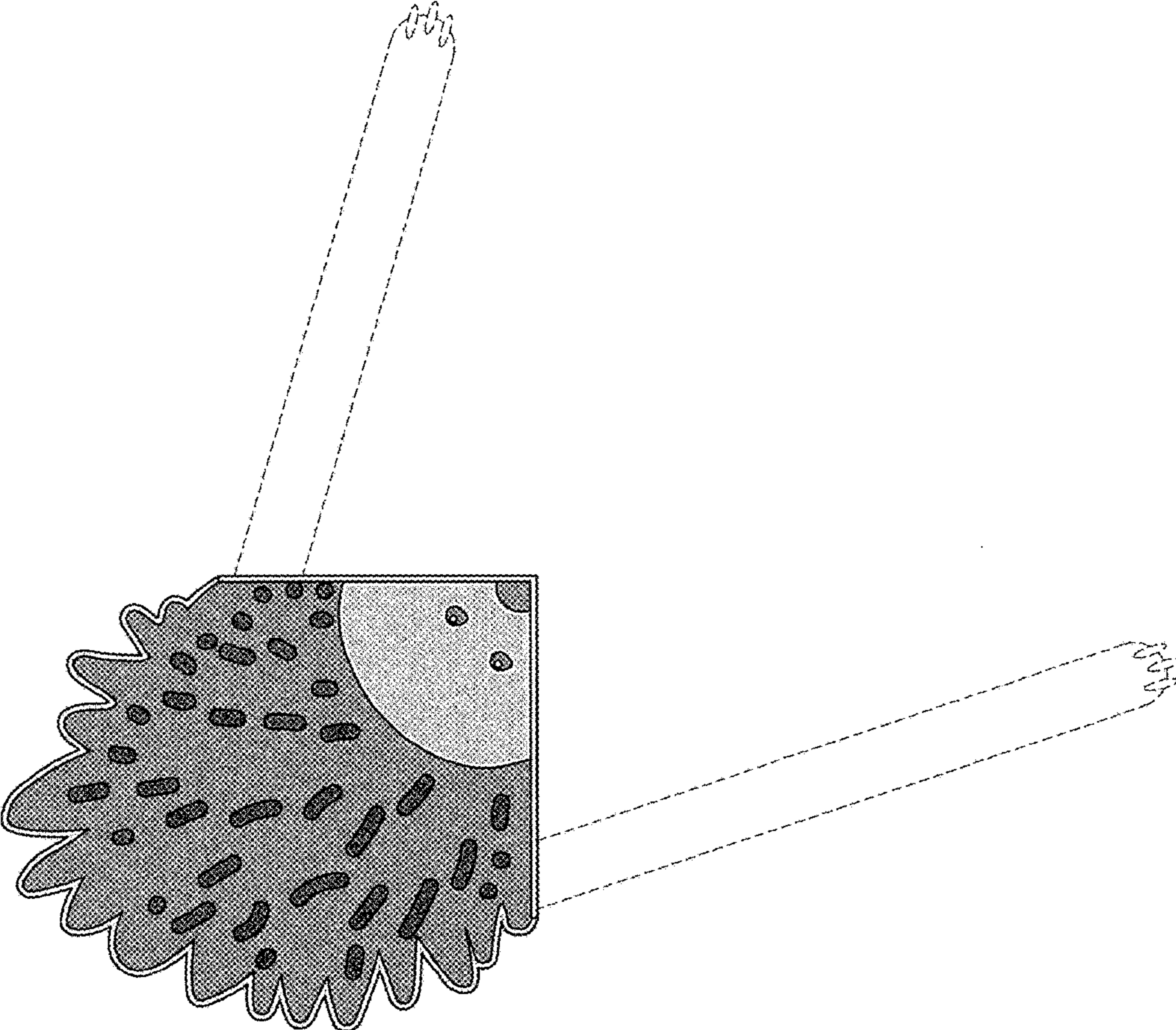


FIG. 13

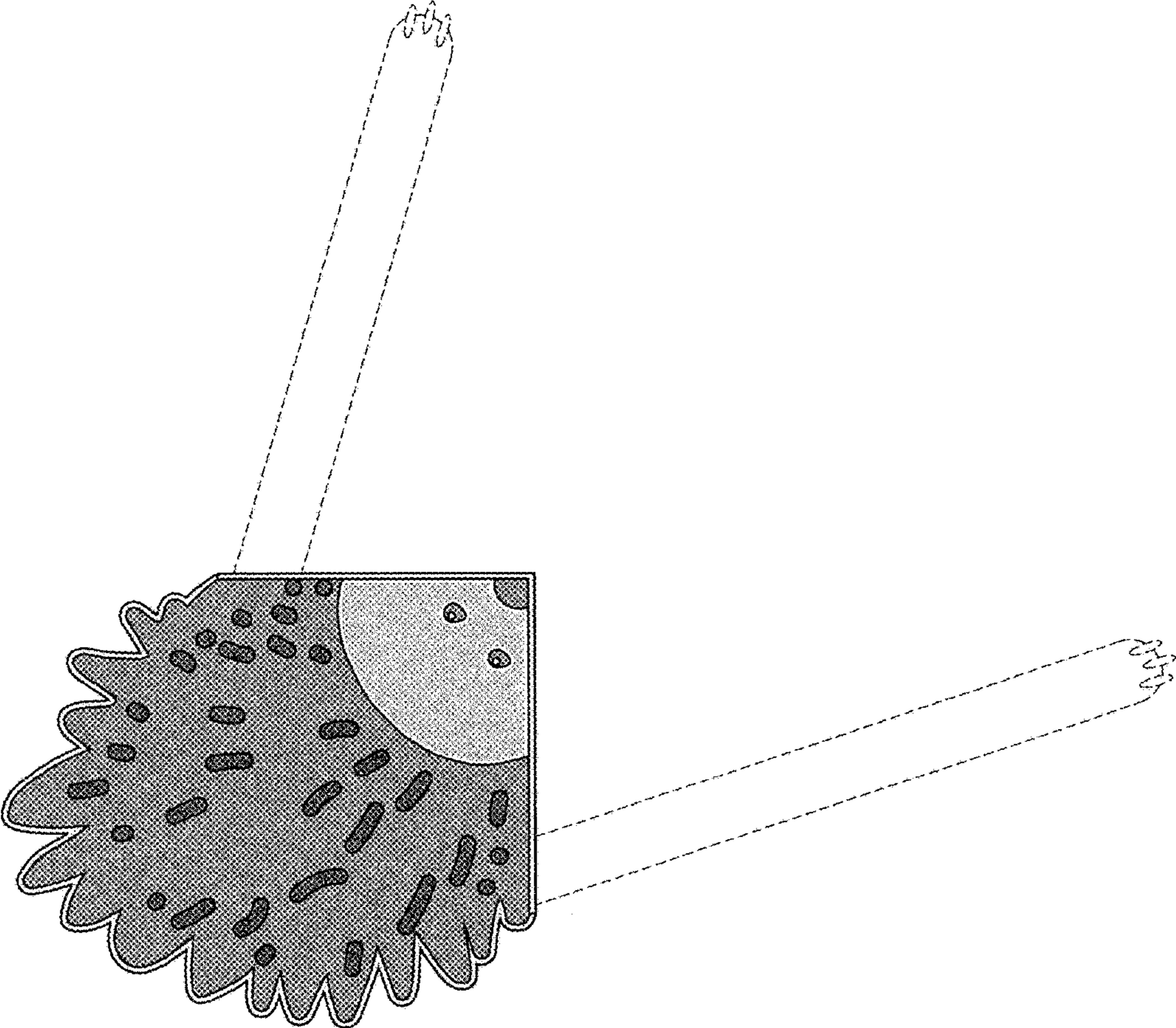


FIG. 14

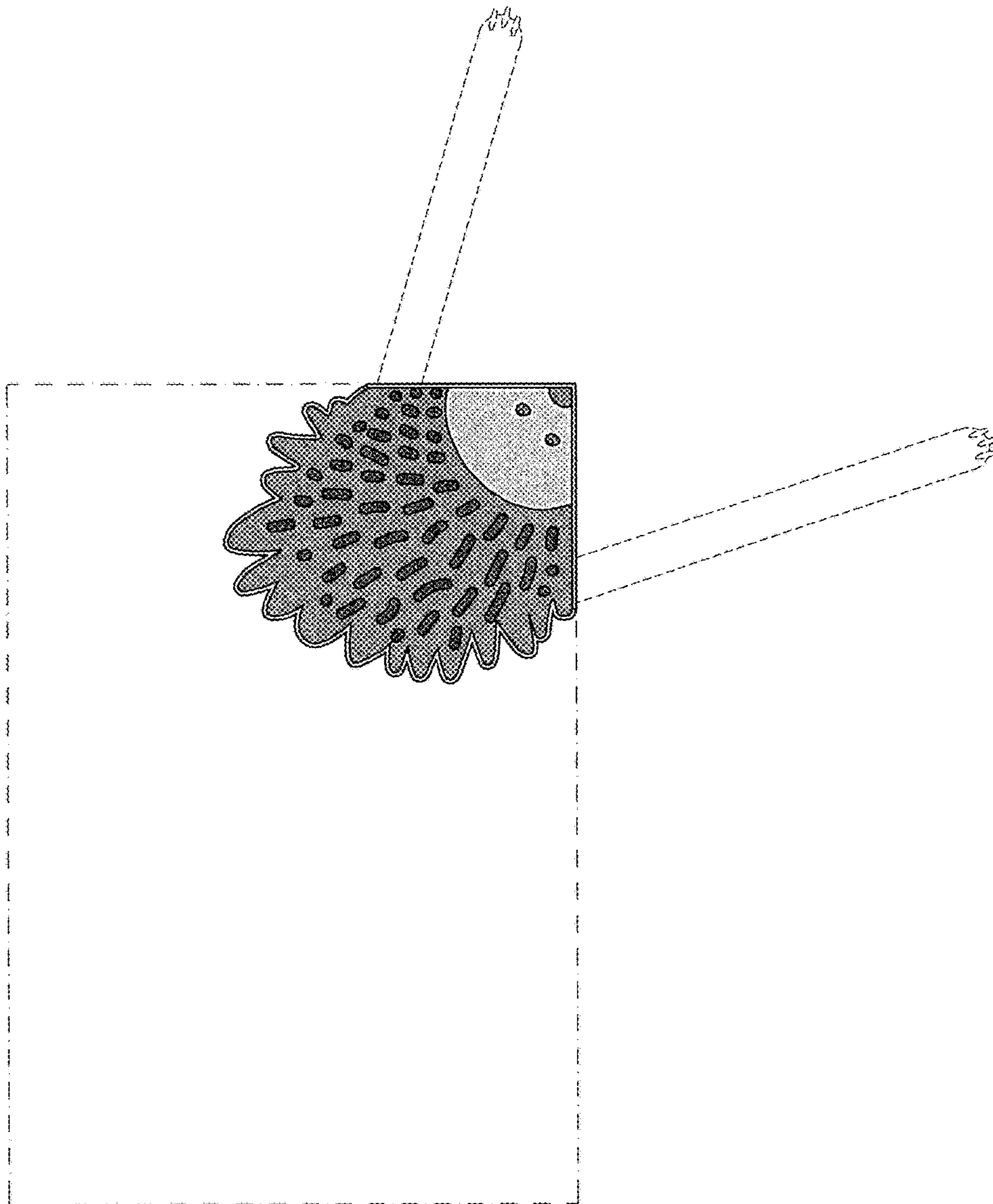


FIG. 15

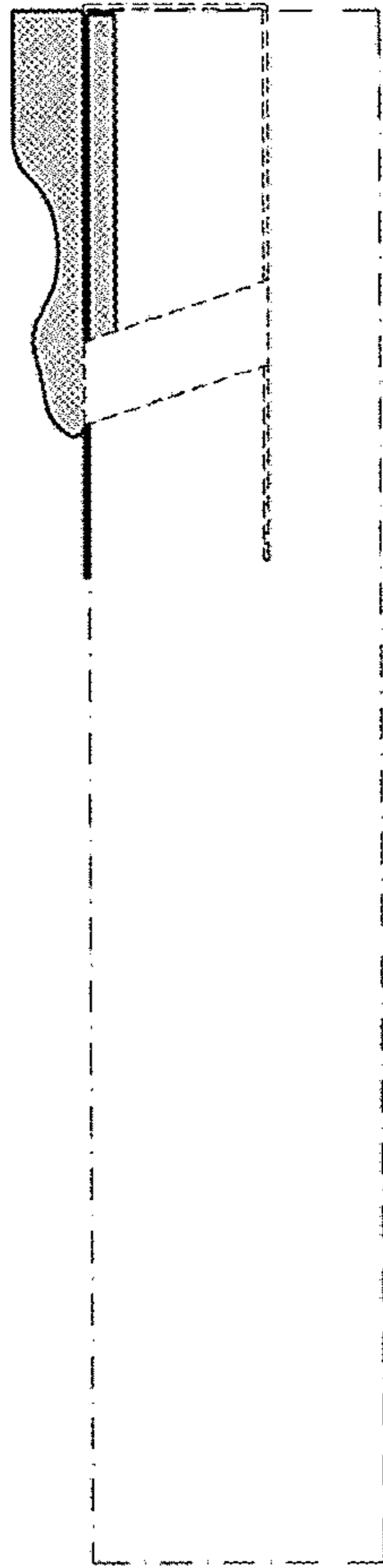


FIG. 16

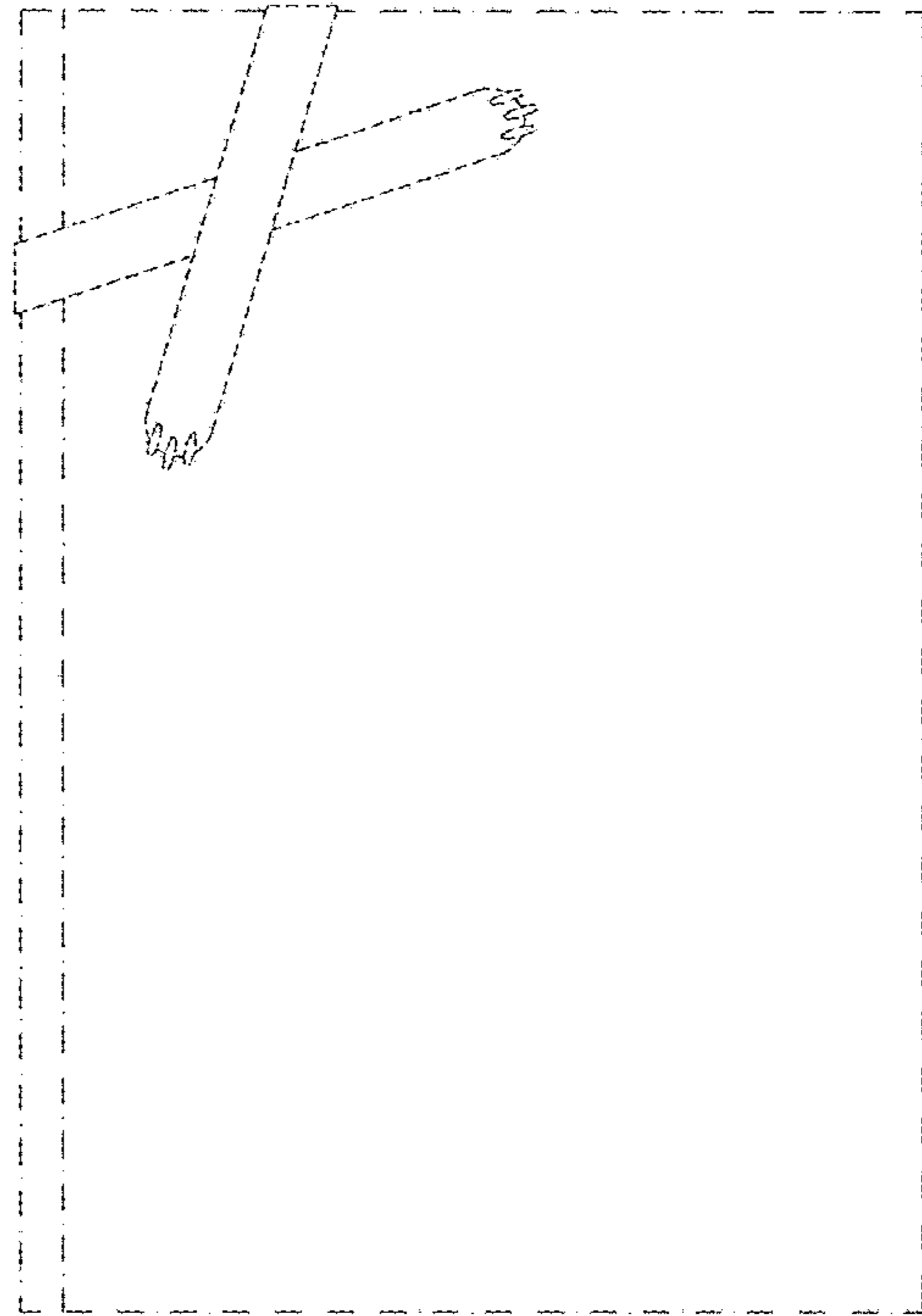


FIG. 17