



US00D796576S

(12) **United States Design Patent**
Smith et al.

(10) **Patent No.:** **US D796,576 S**

(45) **Date of Patent:** **** Sep. 5, 2017**

(54) **CARTRIDGE BLADDER**

(71) Applicant: **VIDEOJET TECHNOLOGIES INC.**,
Wood Dale, IL (US)

(72) Inventors: **Robert Smith**, Northants (GB);
Salhadin Omer, Cambridge (GB)

(73) Assignee: **VIDEOJET TECHNOLOGIES INC.**,
Wood Dale, IL (US)

(**) Term: **15 Years**

(21) Appl. No.: **29/567,276**

(22) Filed: **Jun. 7, 2016**

(51) **LOC (10) Cl.** **18-02**

(52) **U.S. Cl.**
USPC **D18/56**

(58) **Field of Classification Search**
USPC D18/12, 43, 56, 99; D14/299; 400/613;
347/7, 86, 87
CPC B41J 2/1752; B41J 2/17559; B65B 3/045
See application file for complete search history.

(56) **References Cited**

U.S. PATENT DOCUMENTS

D541,337 S *	4/2007	Hattori	D18/56
D543,236 S *	5/2007	Hattori	D18/56
D570,405 S *	6/2008	Otsuka	D18/56
D617,376 S *	6/2010	Lecheheb	D18/56

D665,841 S *	8/2012	Williamson	D18/56
D667,491 S *	9/2012	Williamson	D18/56
D681,727 S *	5/2013	Van Den Broecke	D18/56
D704,259 S *	5/2014	Lecheheb	D18/56
D711,749 S *	8/2014	Kim	D18/56
D712,465 S *	9/2014	Lecheheb	D18/56
D722,642 S *	2/2015	Wada	D18/56
D723,938 S *	3/2015	Karasawa	D18/56
2010/0220129 A1 *	9/2010	Tomlin	B41J 2/175 347/7

* cited by examiner

Primary Examiner — Susan E Krakower

Assistant Examiner — Michael Maharajh

(74) *Attorney, Agent, or Firm* — Robert L. Wolter,
Beusse, Wolter, Sanks & Maire PLLC

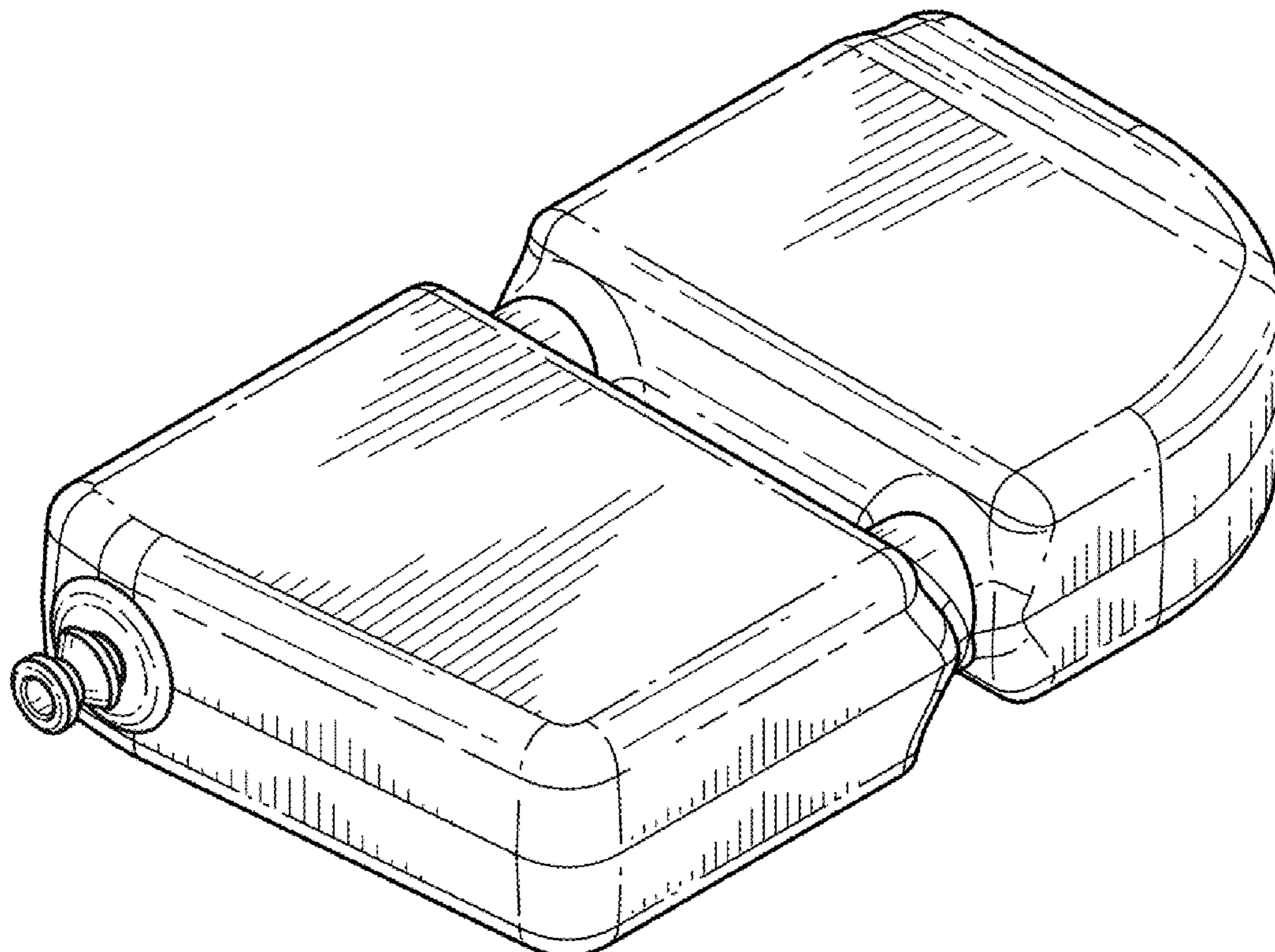
(57) **CLAIM**

The ornamental design for a “cartridge bladder”, as shown and described.

DESCRIPTION

FIG. 1 is an isometric view of a cartridge bladder, showing our new design;
FIG. 2 is a right-side elevation view thereof;
FIG. 3 is a left-side elevation view thereof;
FIG. 4 is a top plan view thereof;
FIG. 5 is a bottom plan view thereof;
FIG. 6 is a rear elevation view thereof; and,
FIG. 7 is a front elevation view thereof.

1 Claim, 4 Drawing Sheets



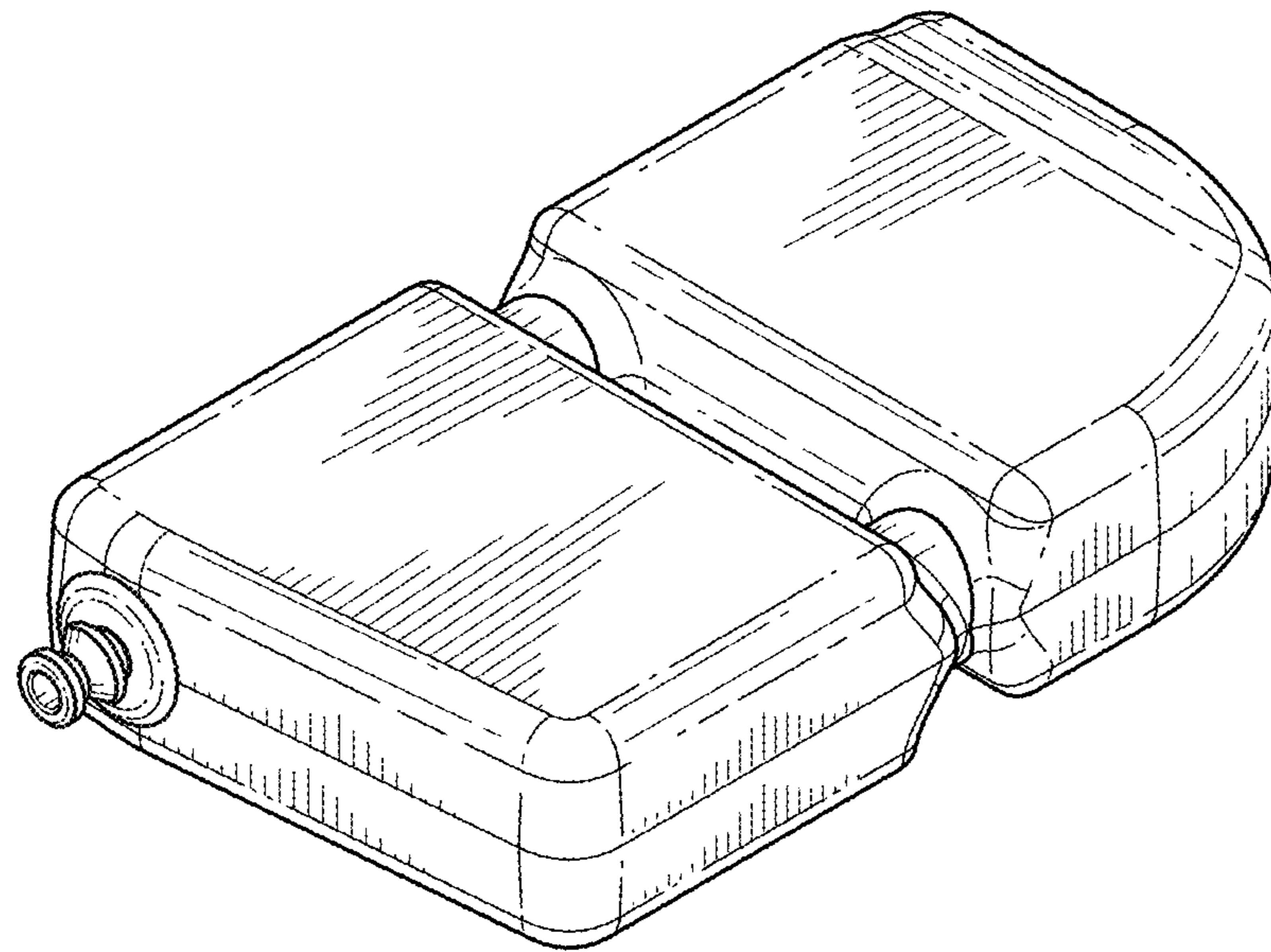


FIG. 1

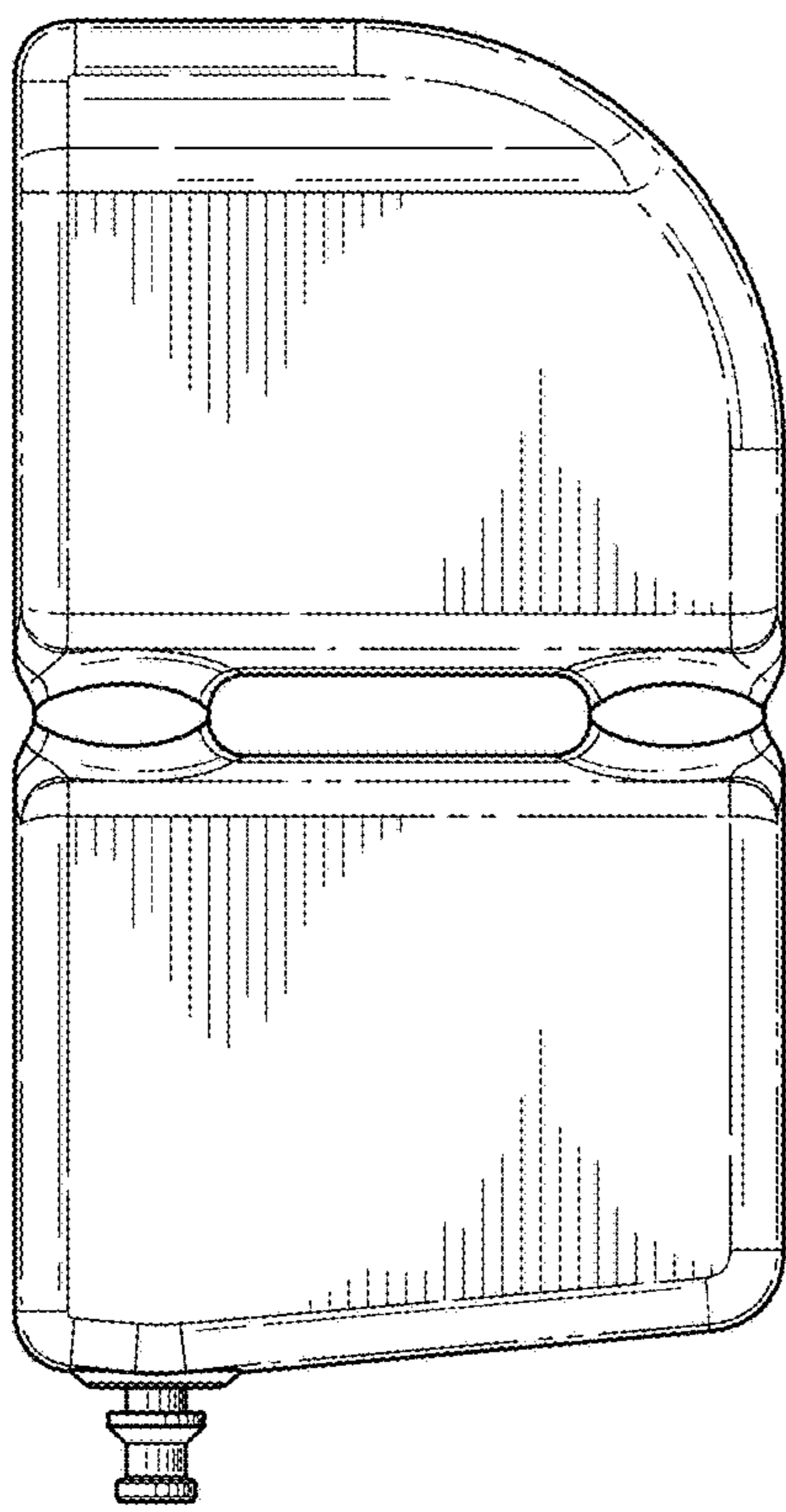


FIG. 2

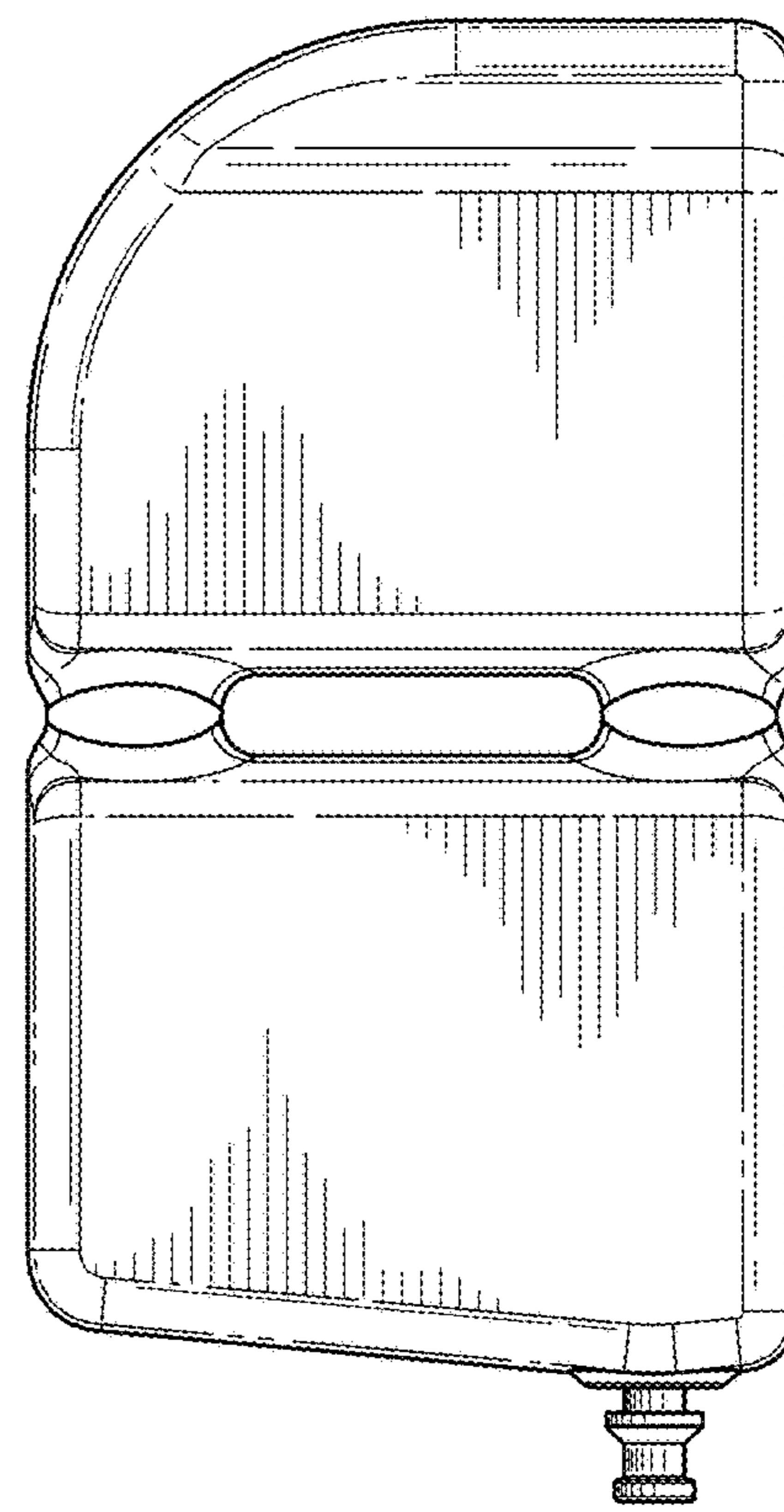


FIG. 3

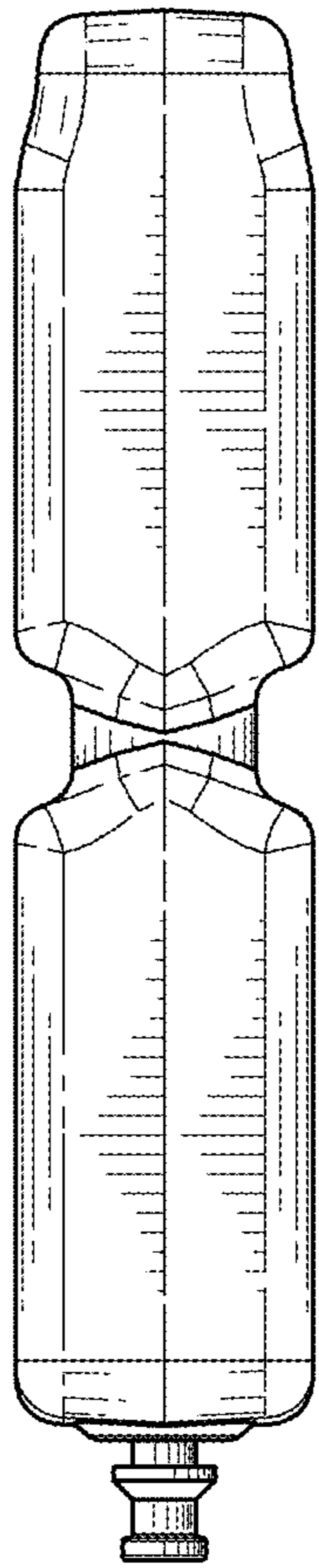


FIG. 4

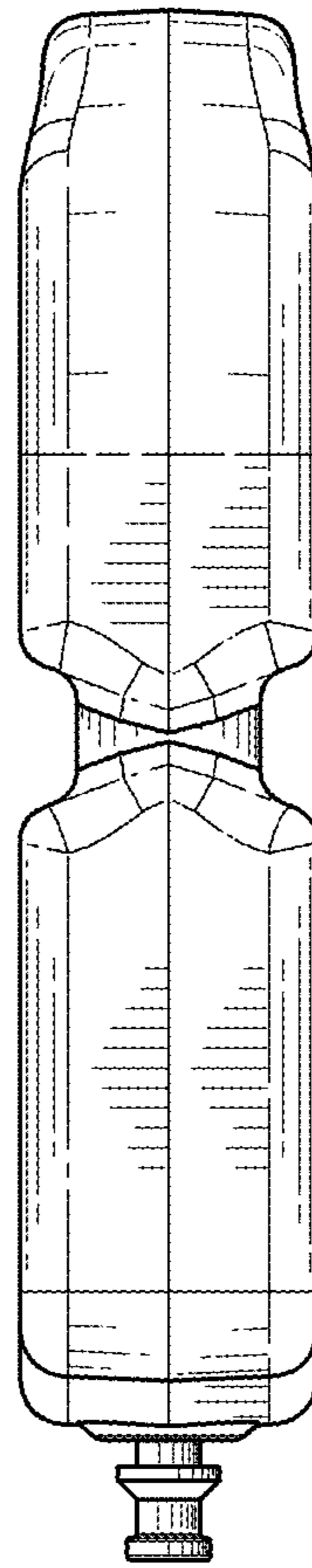


FIG. 5

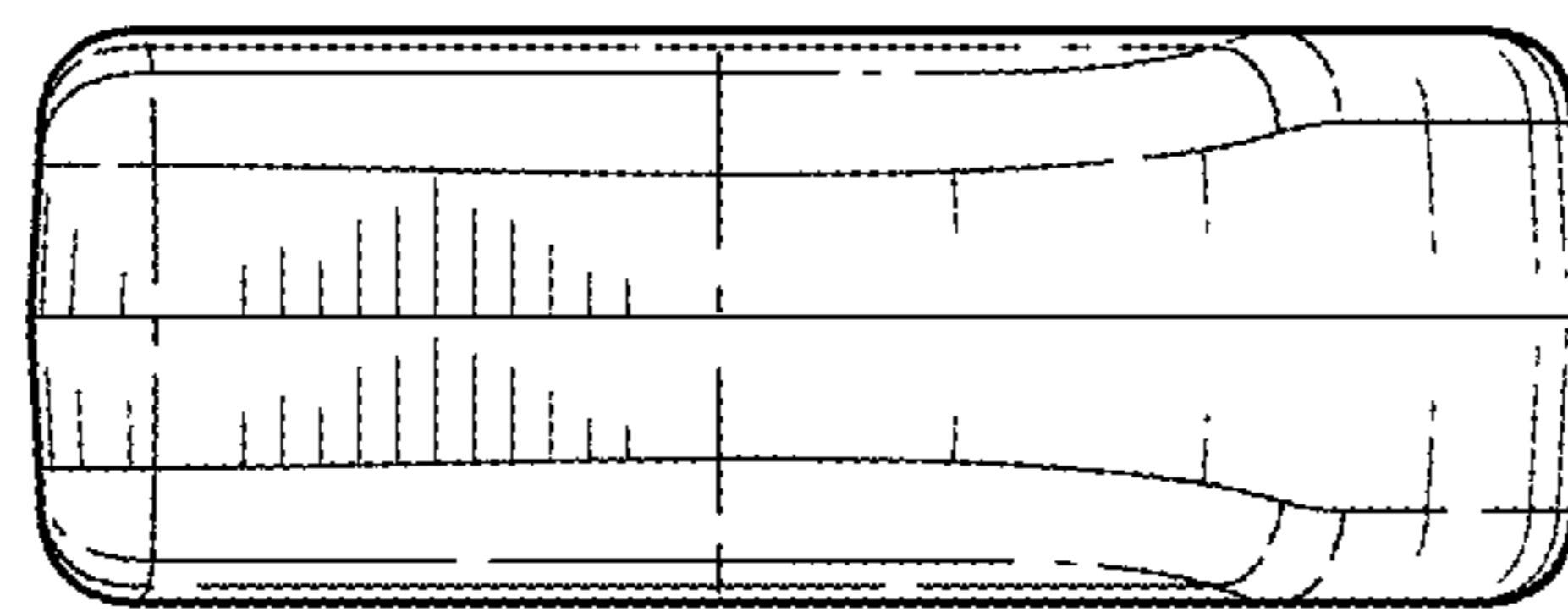


FIG. 6

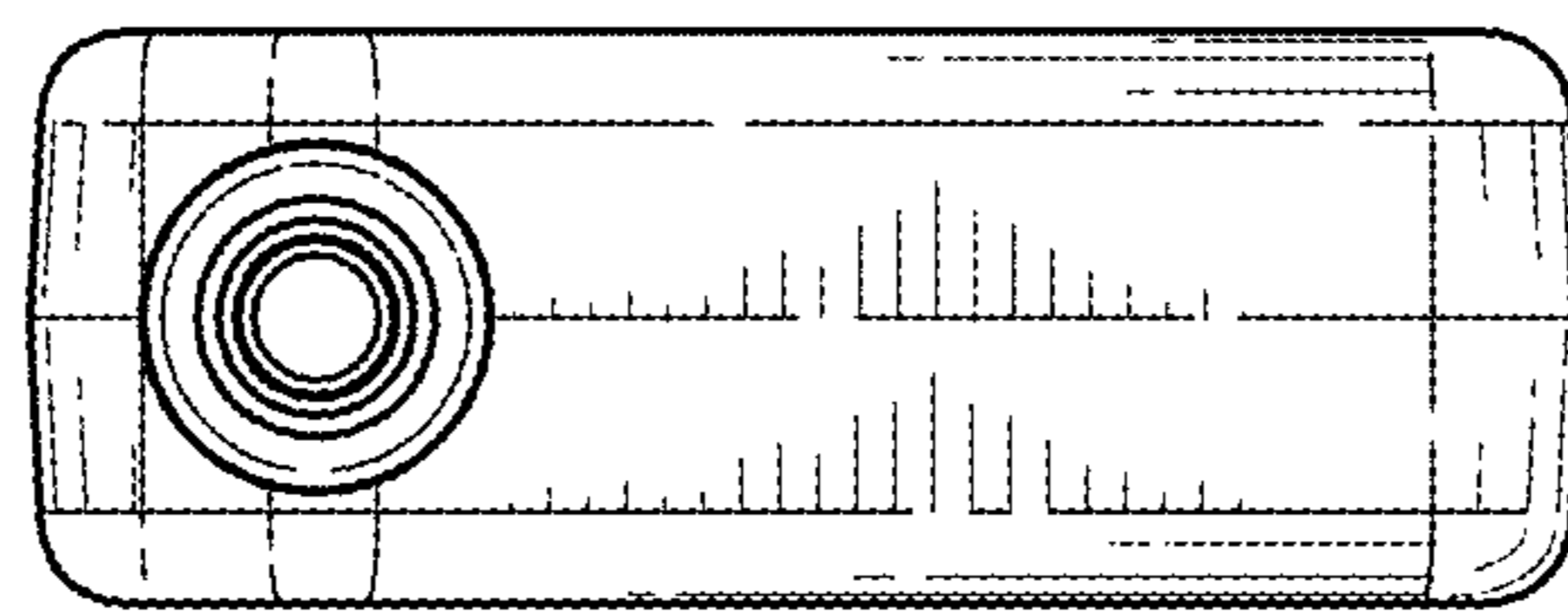


FIG. 7