

US00D796575S

(12) **United States Design Patent** (10) **Patent No.:** **US D796,575 S**  
**Murata** (45) **Date of Patent:** **\*\* Sep. 5, 2017**

(54) **TONER CARTRIDGE**  
 (71) Applicant: **KYOCERA DOCUMENT SOLUTIONS INC., Osaka (JP)**  
 (72) Inventor: **Koji Murata, Osaka (JP)**  
 (73) Assignee: **KYOCERA DOCUMENT SOLUTIONS INC., Osaka (JP)**

D614,232 S \* 4/2010 Yamada ..... D18/43  
 D615,124 S \* 5/2010 Nakajima ..... D18/43  
 D615,584 S \* 5/2010 Jimba ..... D18/43  
 D616,491 S \* 5/2010 Yomoda ..... D18/43  
 D653,702 S \* 2/2012 Amberg ..... D18/43  
 D689,128 S \* 9/2013 Amberg ..... D18/43  
 D711,462 S \* 8/2014 Jimba ..... D18/43  
 D735,803 S \* 8/2015 Wang ..... D18/43  
 D735,804 S \* 8/2015 Wang ..... D18/43  
 D760,315 S \* 6/2016 Wang ..... D18/43

(\*\*) Term: **15 Years**

\* cited by examiner

(21) Appl. No.: **29/561,692**

*Primary Examiner* — Cynthia Ramirez

*Assistant Examiner* — Michael Maharajh

(22) Filed: **Apr. 19, 2016**

(74) *Attorney, Agent, or Firm* — Young & Thompson

(51) **LOC (10) Cl.** ..... **16-03**

(57) **CLAIM**

(52) **U.S. Cl.**  
USPC ..... **D18/43**

The ornamental design for a toner cartridge, as shown and described.

(58) **Field of Classification Search**  
 USPC ..... D18/36, 37, 38, 39, 40, 41, 44, 45, 46,  
 D18/47, 48, 49, 50, 51, 52, 53, 54, 55,  
 D18/56; D14/299, 462, 463, 464, 465,  
 D14/466, 467, 468, 469, 470, 471, 301,  
 D14/307, 129, 130; 347/1, 20, 29, 197,  
 347/214, 222; 399/24, 25, 26, 27,  
 399/107–112, 120, 222, 224, 223  
 CPC ..... G03G 21/12; G03G 15/0834; G03G  
 15/0837; G03G 15/0872; G03G  
 2215/0668; B41J 11/0015; H04N  
 2201/0094

**DESCRIPTION**

See application file for complete search history.

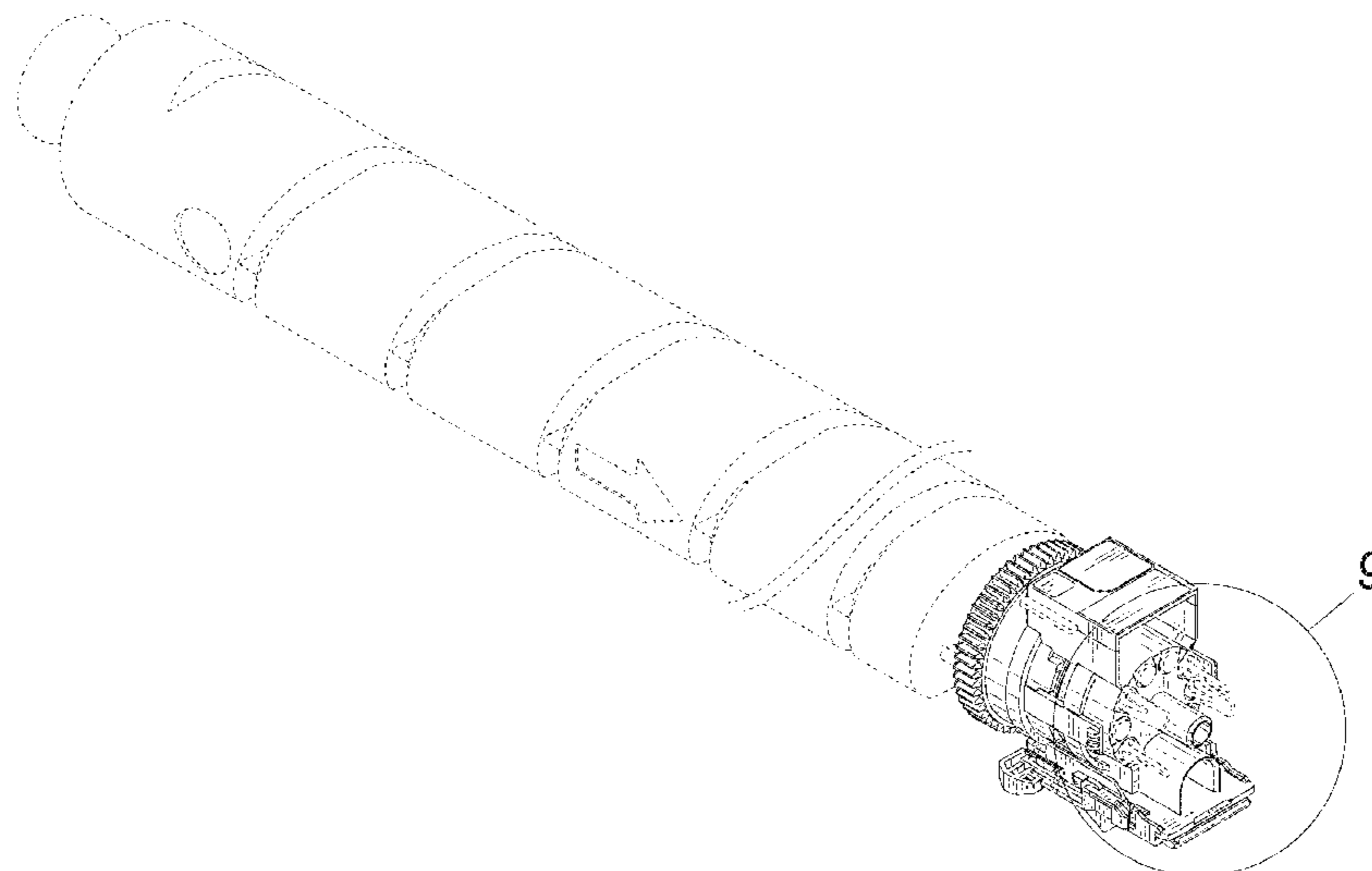
FIG. 1 is a perspective view of front, right and top of toner cartridge showing my new design;  
 FIG. 2 is a perspective view of rear, right and bottom thereof;  
 FIG. 3 is a front view thereof;  
 FIG. 4 is a rear view thereof;  
 FIG. 5 is a left side view thereof;  
 FIG. 6 is a right side view thereof;  
 FIG. 7 is a top plan view thereof;  
 FIG. 8 is a bottom plan view thereof;  
 FIG. 9 is an enlarged view of portion “9” shown in FIG. 1; and,  
 FIG. 10 is an enlarged view of portion “10” show in FIG. 2.  
 The broken lines in the figures are included for the purpose of illustrating the unclaimed portions of the toner cartridge and form no part of the claimed design.  
 The circle lines encircling a portion of the toner cartridge in FIGS. 1 and 2 are for the purpose of illustrating enlargements and form no part of the claimed design.

(56) **References Cited**

**U.S. PATENT DOCUMENTS**

D450,081 S \* 11/2001 Tsuji ..... D18/43  
 D529,542 S \* 10/2006 Tazawa ..... D18/43  
 D538,331 S \* 3/2007 Tazawa ..... D18/43  
 D591,336 S \* 4/2009 Kurenuma ..... D18/43  
 D598,490 S \* 8/2009 Kurenuma ..... D18/43  
 D611,528 S \* 3/2010 Meyer ..... D18/43  
 D614,231 S \* 4/2010 Yamada ..... D18/43

**1 Claim, 6 Drawing Sheets**



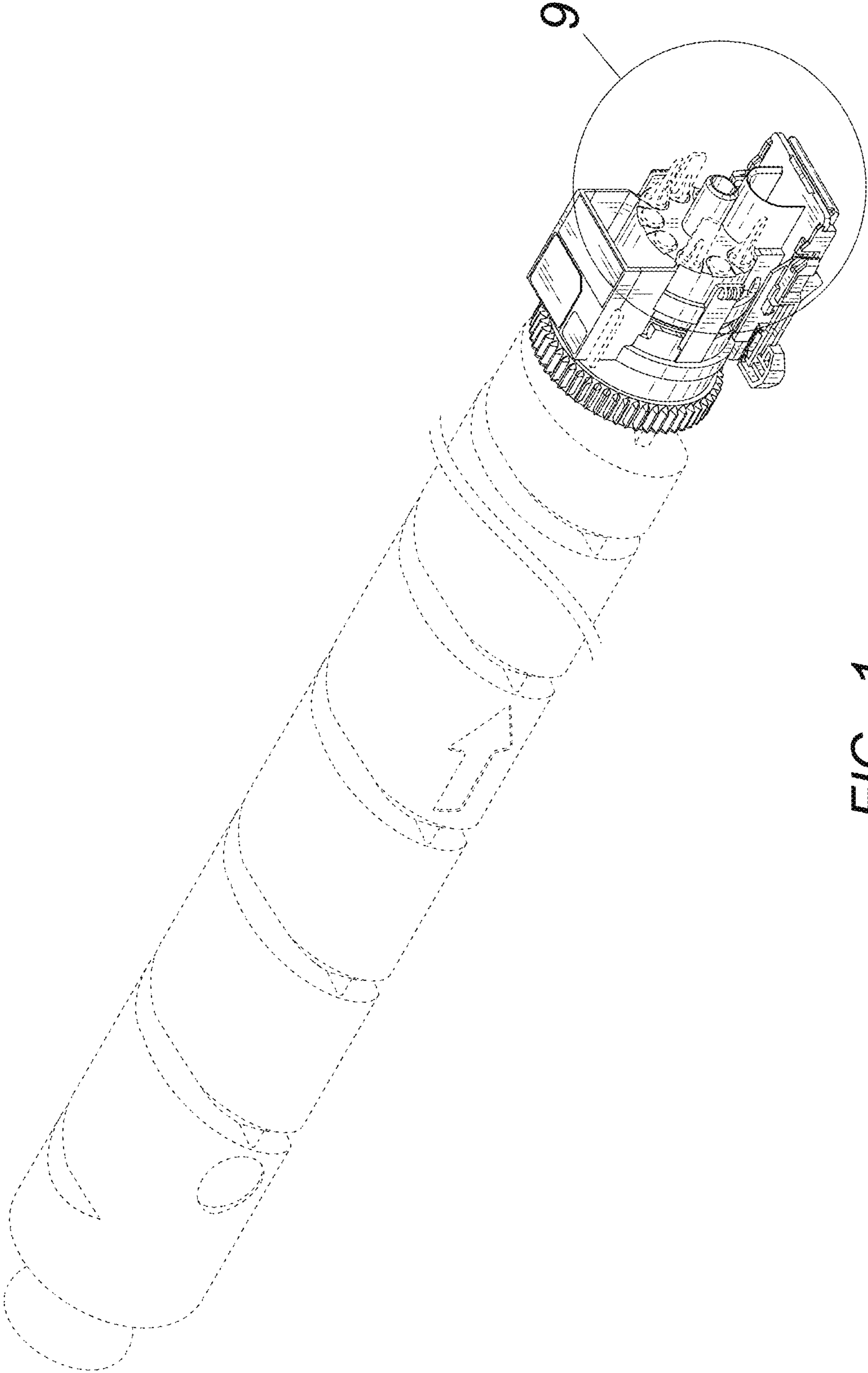


FIG. 1

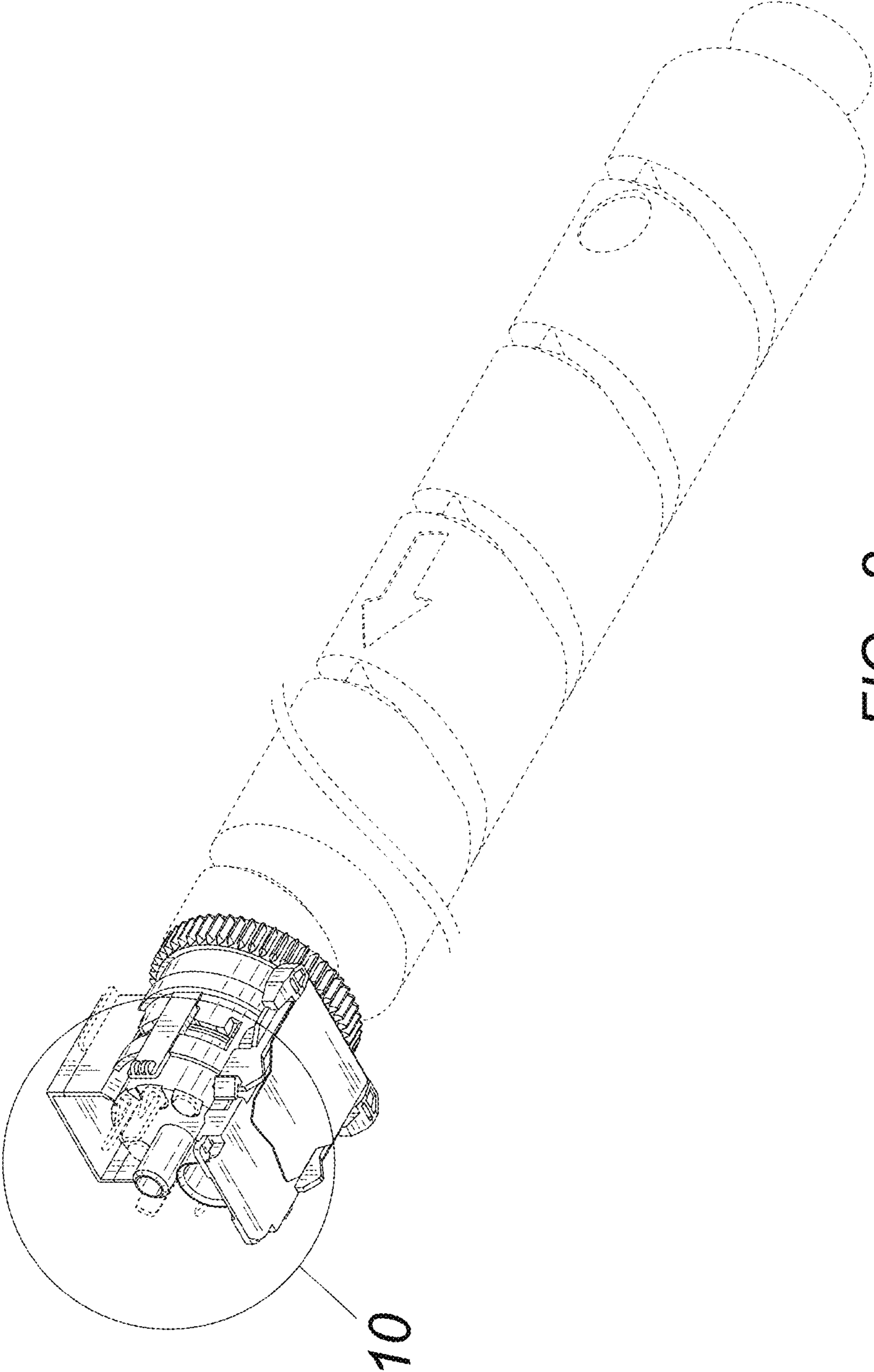


FIG. 2

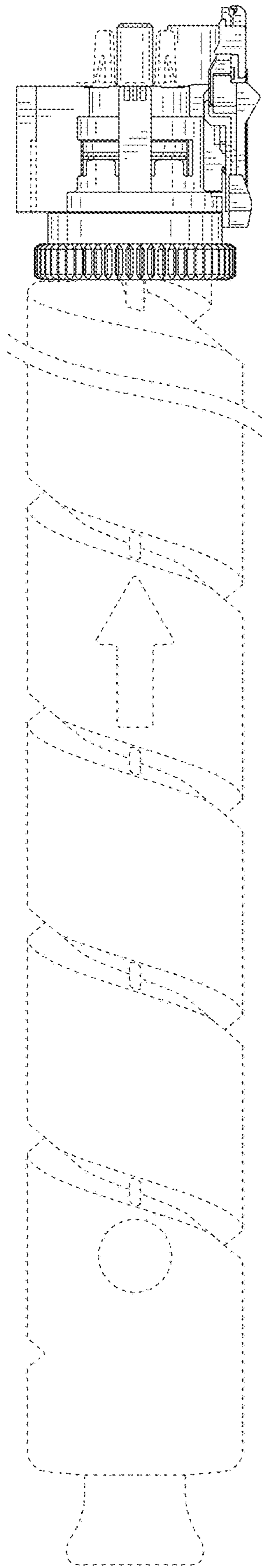


FIG. 3

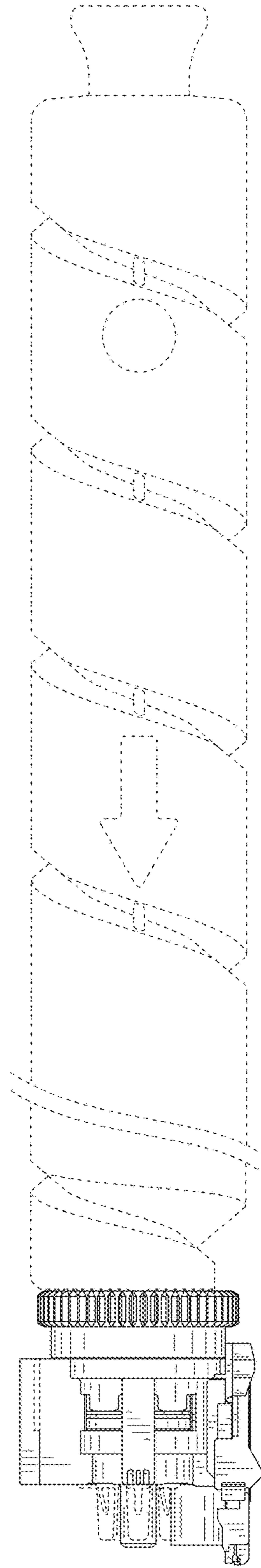


FIG. 4



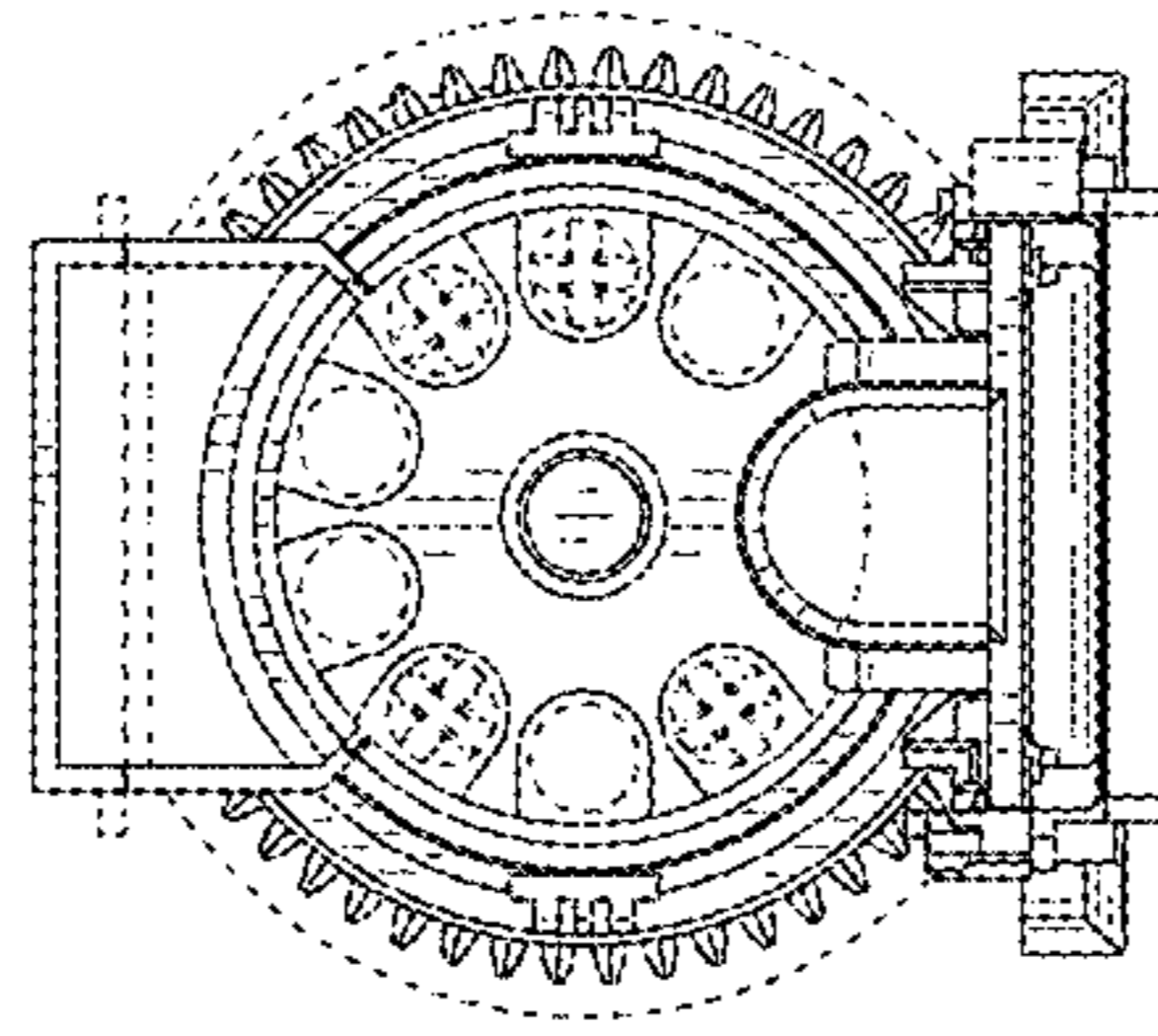


FIG. 6

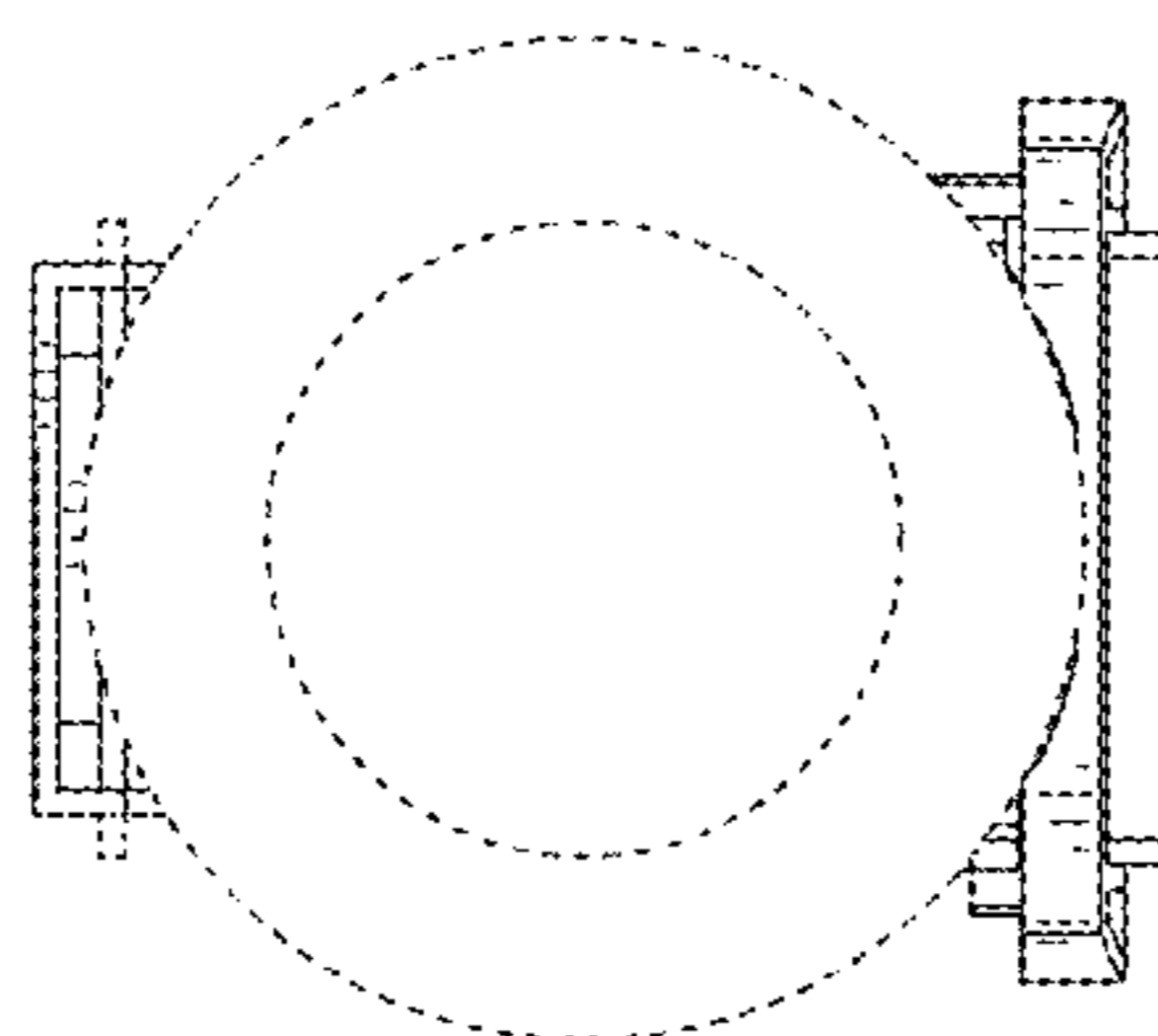


FIG. 5

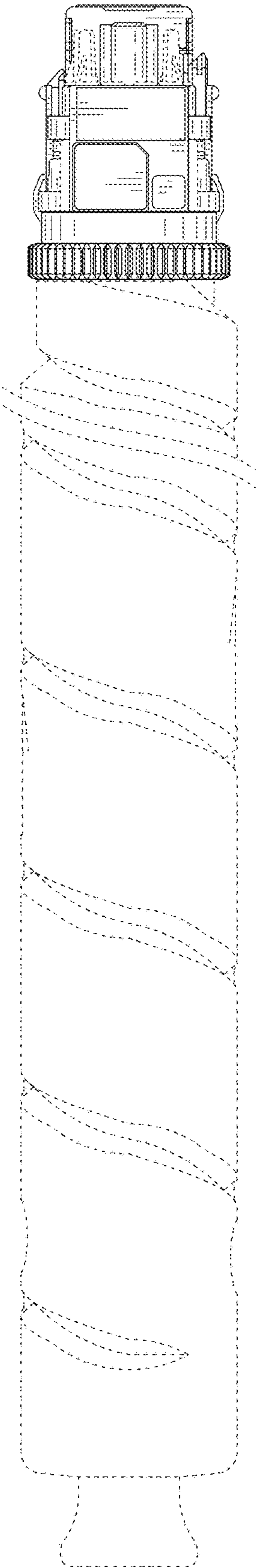


FIG. 7

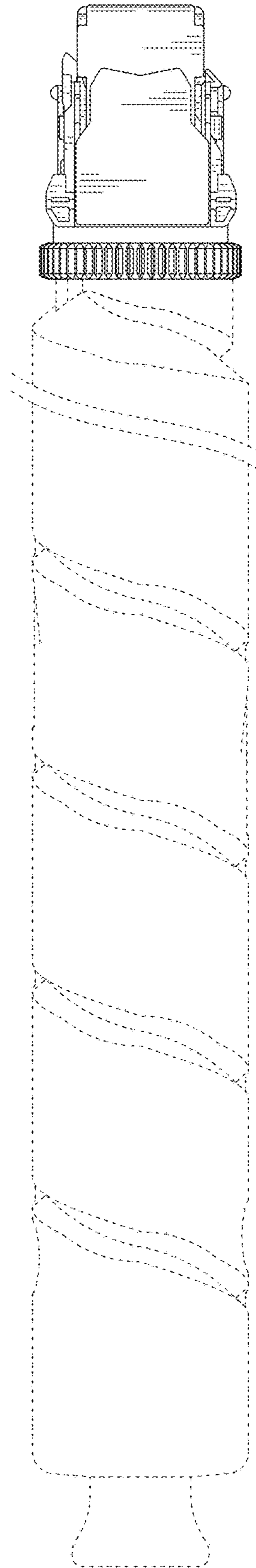


FIG. 8

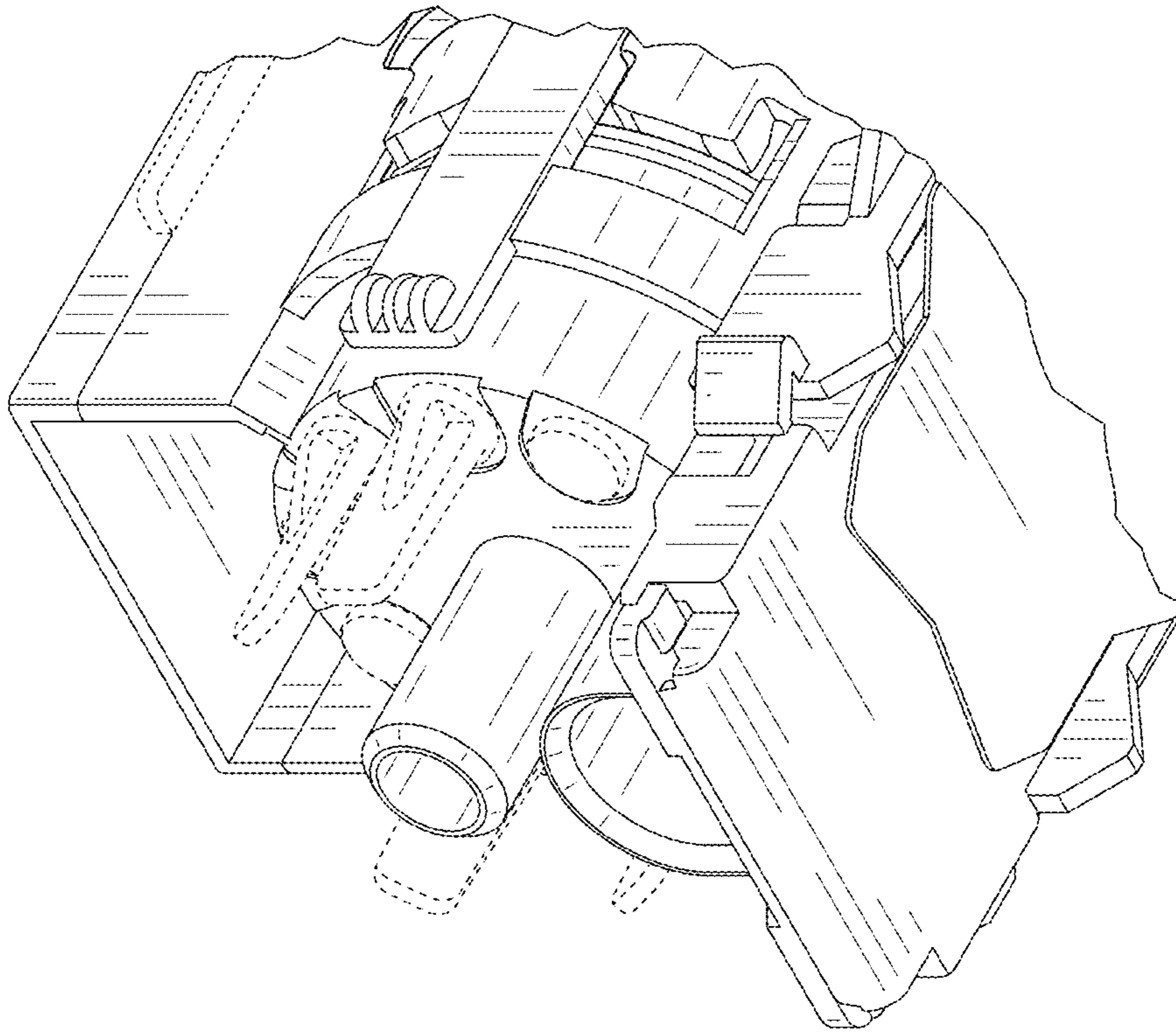


FIG. 10

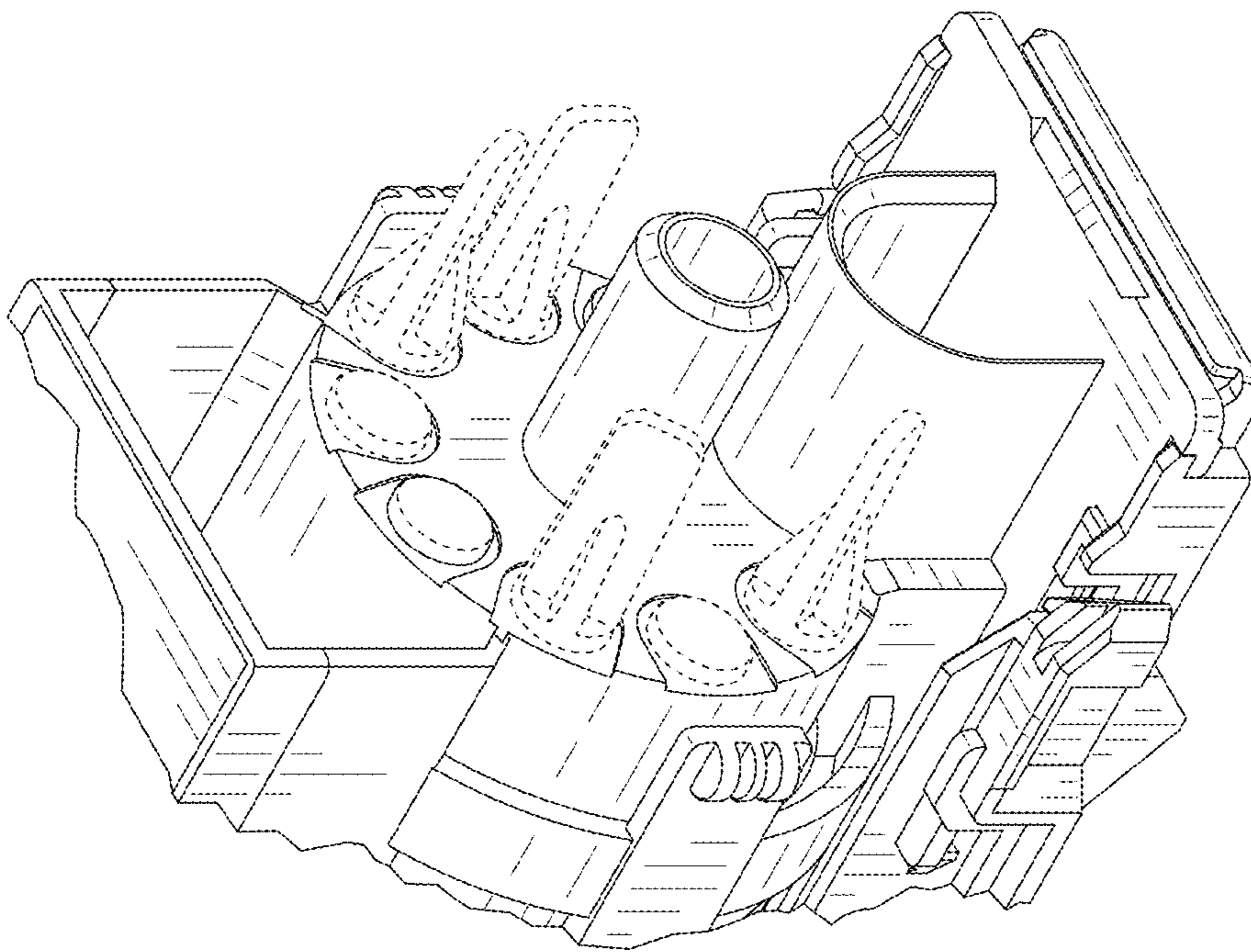


FIG. 9