



US00D796574S

(12) **United States Design Patent**  
**Kamoshida et al.**

(10) **Patent No.:** **US D796,574 S**

(45) **Date of Patent:** **\*\* Sep. 5, 2017**

(54) **PHOTOSENSITIVE DRUM FOR CARTRIDGE**

(71) Applicant: **Canon Kabushiki Kaisha**, Ohta-ku,  
Tokyo (JP)

(72) Inventors: **Shigemi Kamoshida**, Tokyo (JP); **Isao Koishi**, Yokohama (JP); **Yu Fukasawa**, Nagareyama (JP)

(73) Assignee: **Canon Kabushiki Kaisha**, Tokyo (JP)

(\*\*) Term: **15 Years**

(21) Appl. No.: **29/552,140**

(22) Filed: **Jan. 20, 2016**

(30) **Foreign Application Priority Data**

Jul. 22, 2015 (JP) ..... 2015-016285

(51) **LOC (10) Cl.** ..... **16-03**

(52) **U.S. Cl.**  
USPC ..... **D18/43**

(58) **Field of Classification Search**

USPC ..... D18/36, 37, 39, 40, 41, 44, 45, 46, 47,  
D18/48, 49, 50, 51, 52, 53, 54, 55, 56;  
D14/462, 463, 464, 465, 466, 467, 468,  
D14/469, 470, 471, 301, 307, 129, 130  
CPC ..... B41J 3/00; B41J 3/28; B41J 3/445; B41J  
3/46; B65H 11/00; B65H 11/002; B65H  
2301/331; B65H 29/46; G03B 27/04;  
G03B 27/08; G03B 27/14; G03B 27/16;  
G03G 15/00; G03G 15/04; G03G 15/23;  
G03G 15/28; G03G 15/50; G03G 15/55;  
G03G 15/60; G03G 15/65; G03G 15/221;  
G03G 15/5075; G03G 15/6558; G03G  
15/0832; G03G 15/0834; G03G 15/0836;  
G03G 15/0837; G03G 15/0877; G03G  
15/0867; G03G 15/0868; G03G 15/0872;  
G03G 15/0898; G03G 15/5016; G03G  
15/0841; G03G 21/1853; G03G 21/20;  
G03G 21/18; G03G 21/08; G03G 21/16;  
G03G 2221/1654; G03G 2221/183; G03G

2221/1684; G03G 2221/1645; G03F  
7/70716; G06K 15/12; G06K 15/14;

H04N 1/00204; H04N 1/00249; H04N  
1/00278; H04N 1/00602; H04N 1/00631

See application file for complete search history.

(56) **References Cited**

U.S. PATENT DOCUMENTS

8,270,876 B2 \* 9/2012 Morioka ..... G03G 21/186  
399/111  
8,295,734 B2 \* 10/2012 Ueno ..... G03G 15/757  
399/167

(Continued)

*Primary Examiner* — Barbara Fox

*Assistant Examiner* — Mary C Ramirez

(74) *Attorney, Agent, or Firm* — Fitzpatrick, Cella,  
Harper & Scinto

(57) **CLAIM**

The ornamental design for a photosensitive drum for car-  
tridge, as shown and described.

**DESCRIPTION**

FIG. 1 is a front view of a photosensitive drum for cartridge  
showing our new design;

FIG. 2 is a rear view thereof;

FIG. 3 is a top plan view thereof;

FIG. 4 is a bottom plan view thereof;

FIG. 5 is a left side view thereof;

FIG. 6 is a right side view thereof;

FIG. 7 is a front perspective view thereof;

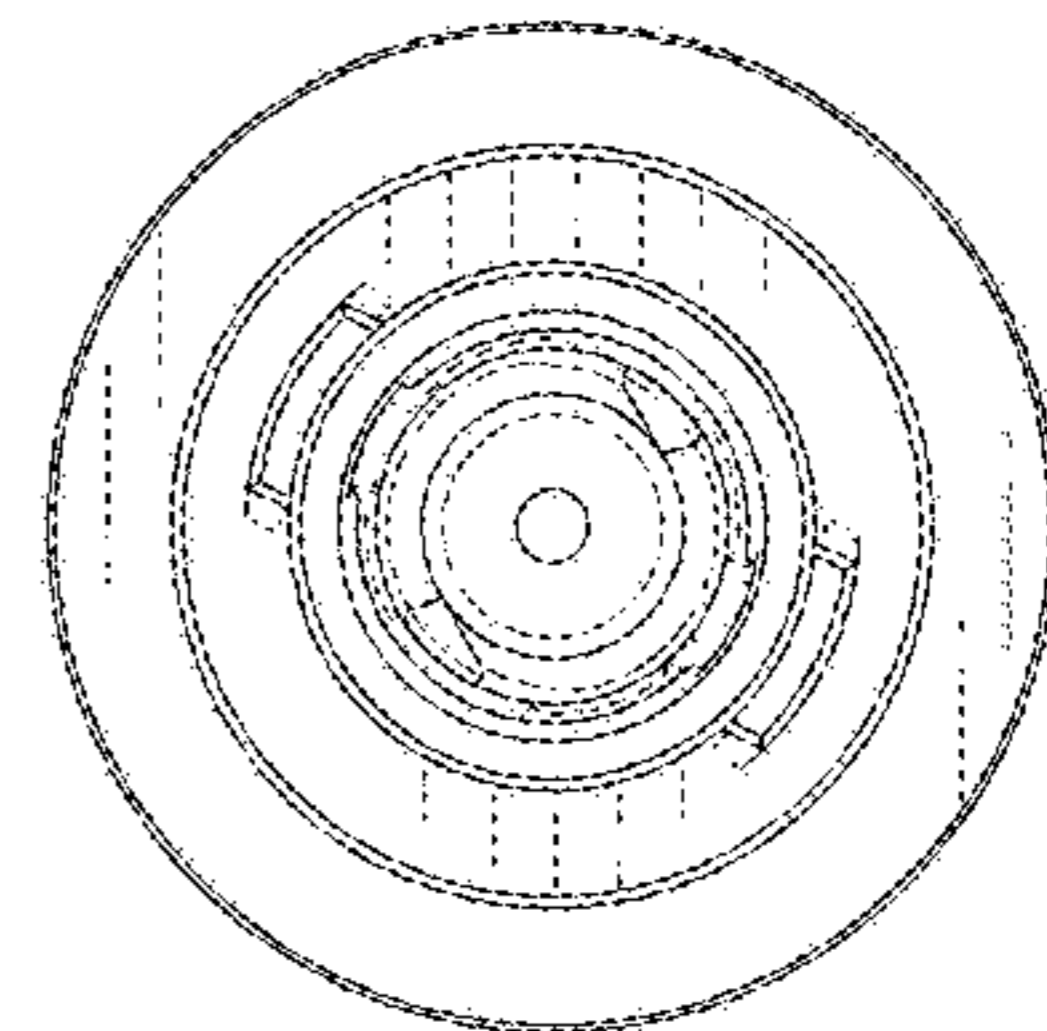
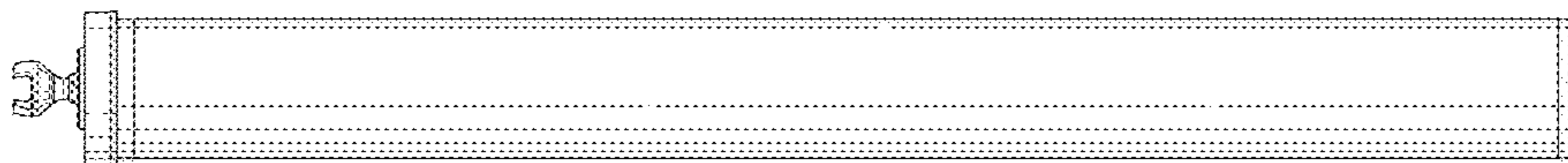
FIG. 8 is a rear perspective view thereof;

FIG. 9 is an enlarged view of FIG. 5; and,

FIG. 10 is an enlarged view of FIG. 6.

The broken lines shown in the drawings depict portions of  
the photosensitive drum for cartridge that form no part of the  
claimed design.

**1 Claim, 6 Drawing Sheets**



(56)

**References Cited**

U.S. PATENT DOCUMENTS

2008/0152388 A1\* 6/2008 Ueno ..... G03G 15/757  
399/167  
2008/0240796 A1\* 10/2008 Morioka ..... F16D 1/10  
399/279  
2009/0317129 A1\* 12/2009 Abe ..... G03G 15/757  
399/111  
2009/0317132 A1\* 12/2009 Asanuma ..... G03G 21/1853  
399/117  
2010/0034561 A1\* 2/2010 Batori ..... G03G 15/757  
399/167  
2010/0221036 A1\* 9/2010 Hara ..... G03G 21/1853  
399/110  
2011/0255881 A1\* 10/2011 Lee ..... G03G 15/0121  
399/12  
2012/0243905 A1\* 9/2012 Uratani ..... G03G 21/186  
399/111  
2012/0294649 A1\* 11/2012 Kikuchi ..... G03G 15/757  
399/117  
2015/0110522 A1\* 4/2015 Ikeda ..... F16D 1/06  
399/111  
2016/0246250 A1\* 8/2016 Kamoshida ..... G03G 21/1853  
2016/0259290 A1\* 9/2016 Ikeda ..... G03G 15/757

\* cited by examiner

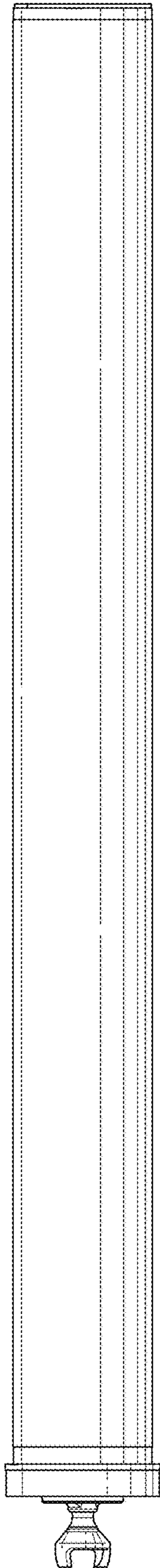


FIG. 1

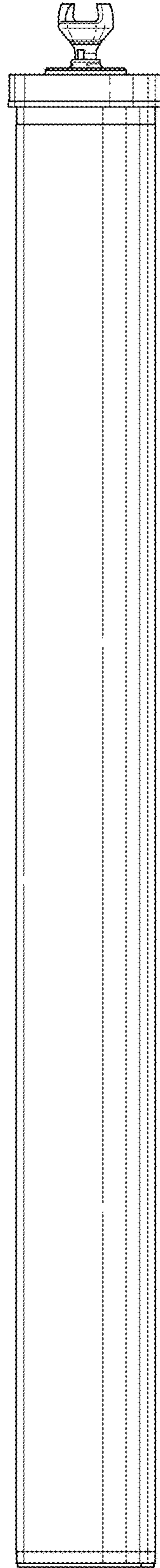


FIG. 2

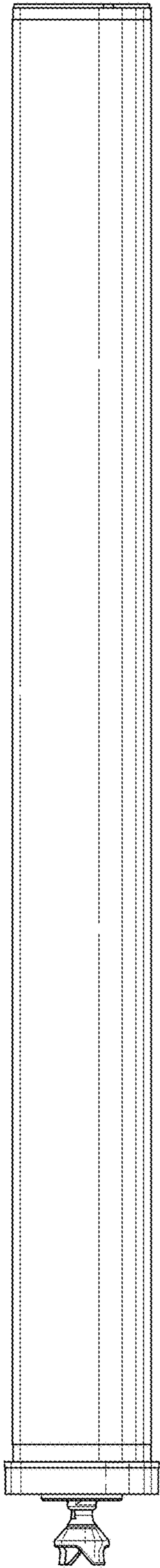


FIG. 3

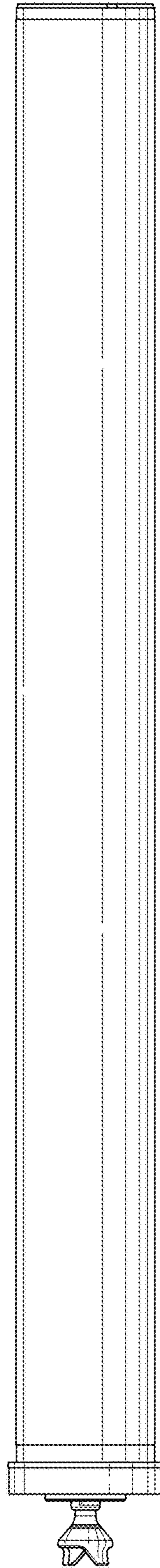
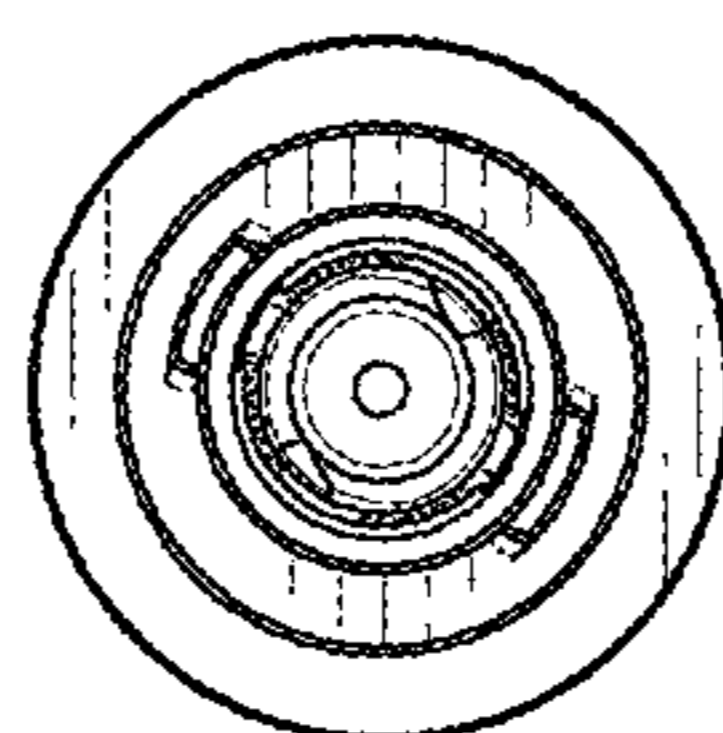
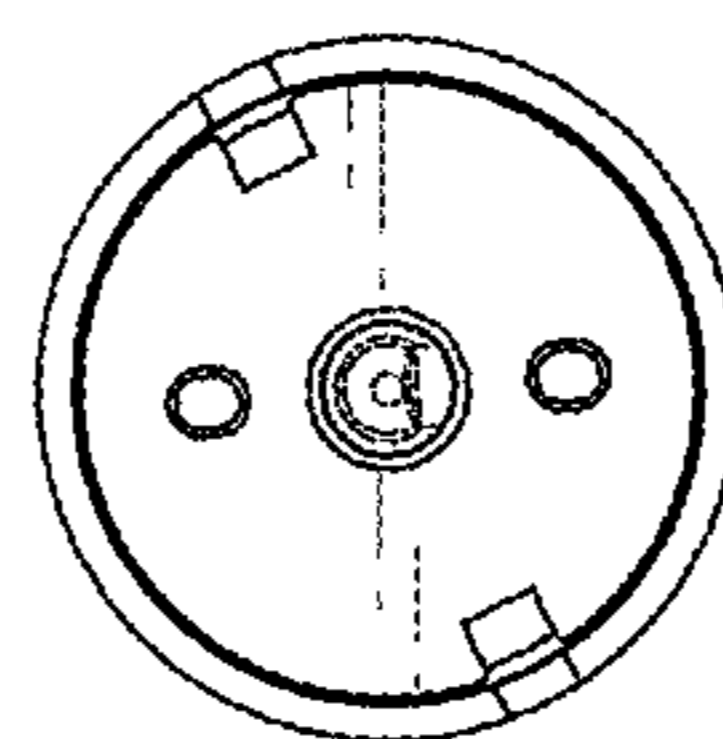


FIG. 4



*FIG. 5*



*FIG. 6*

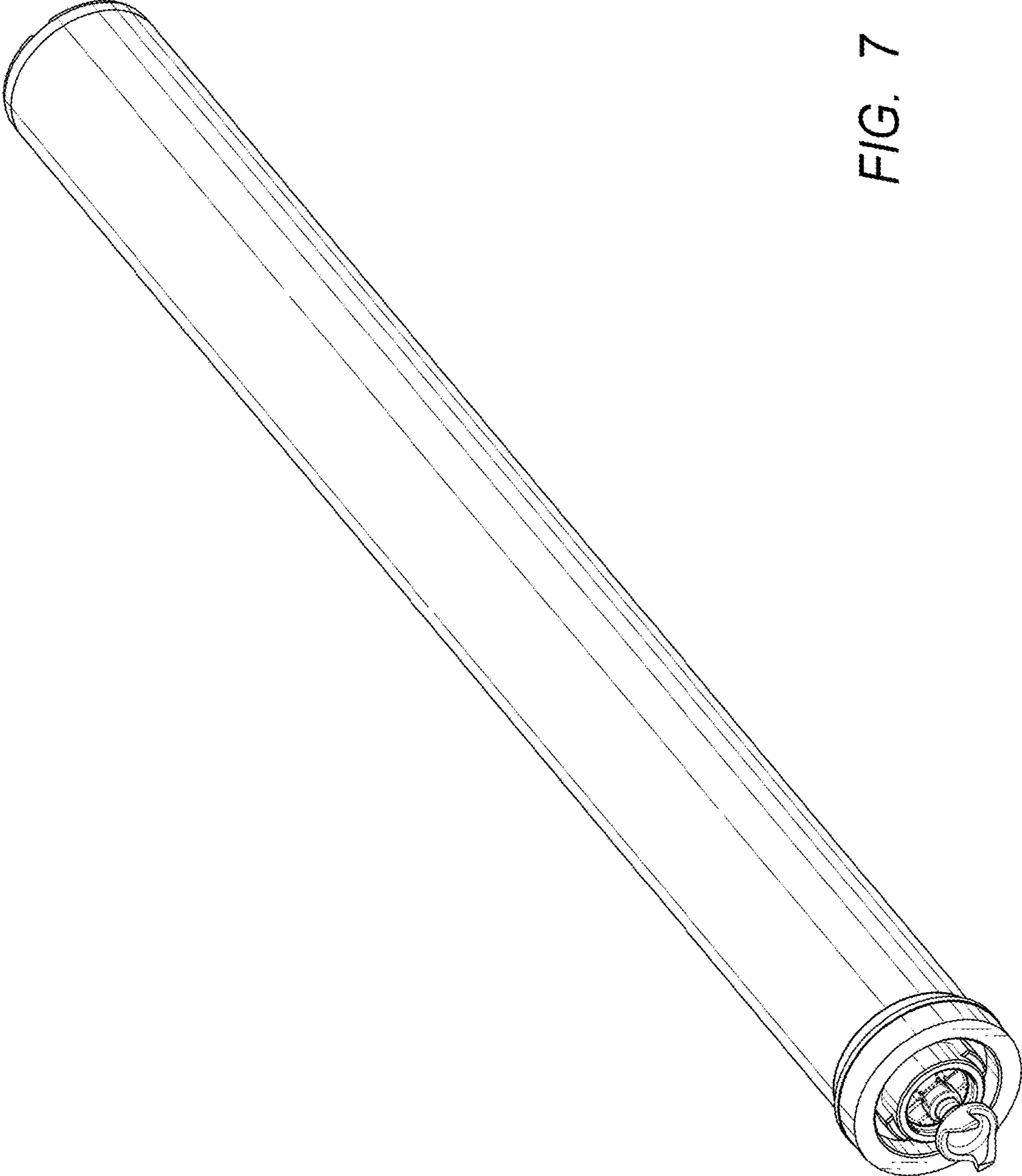


FIG. 7

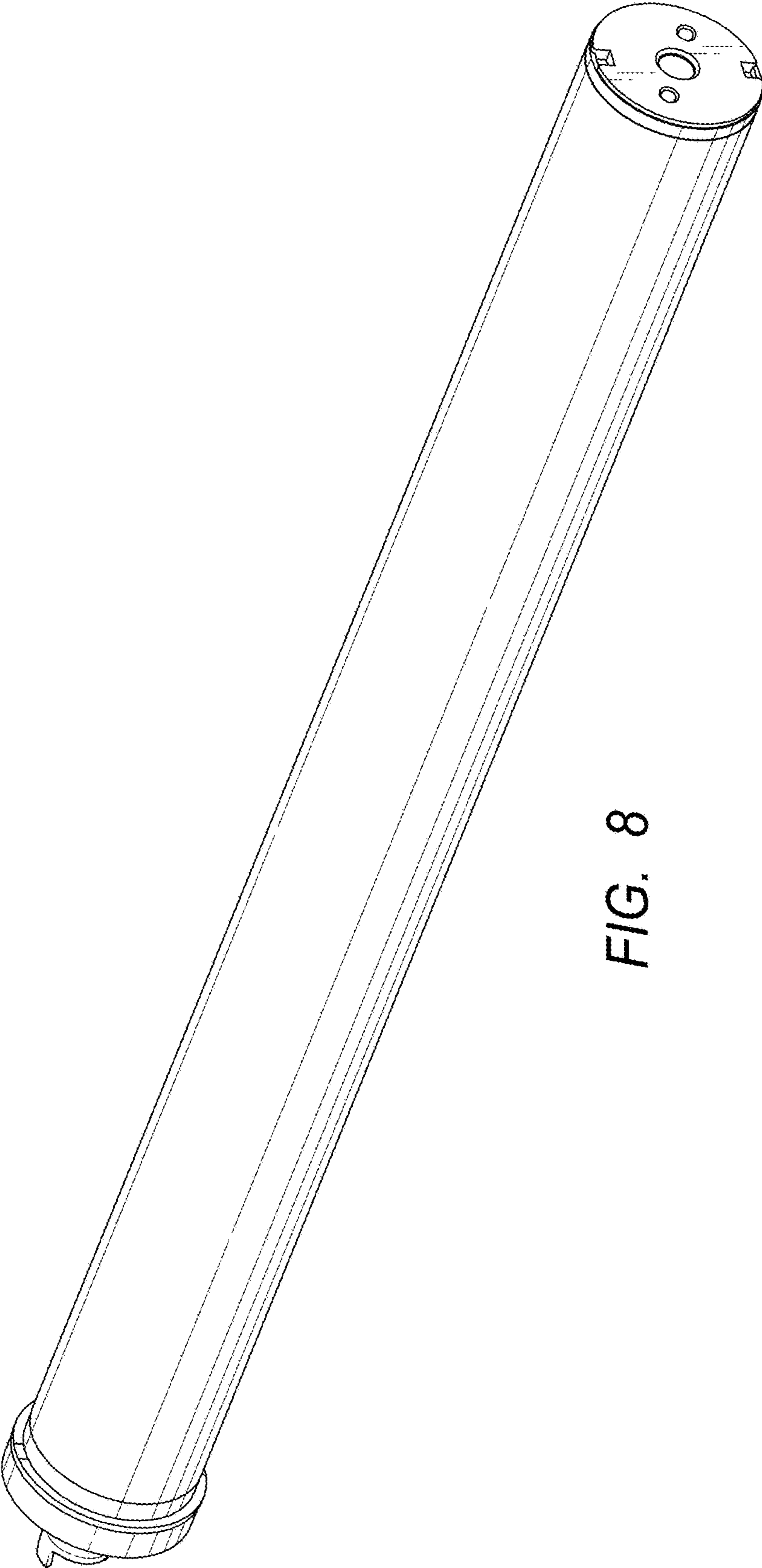
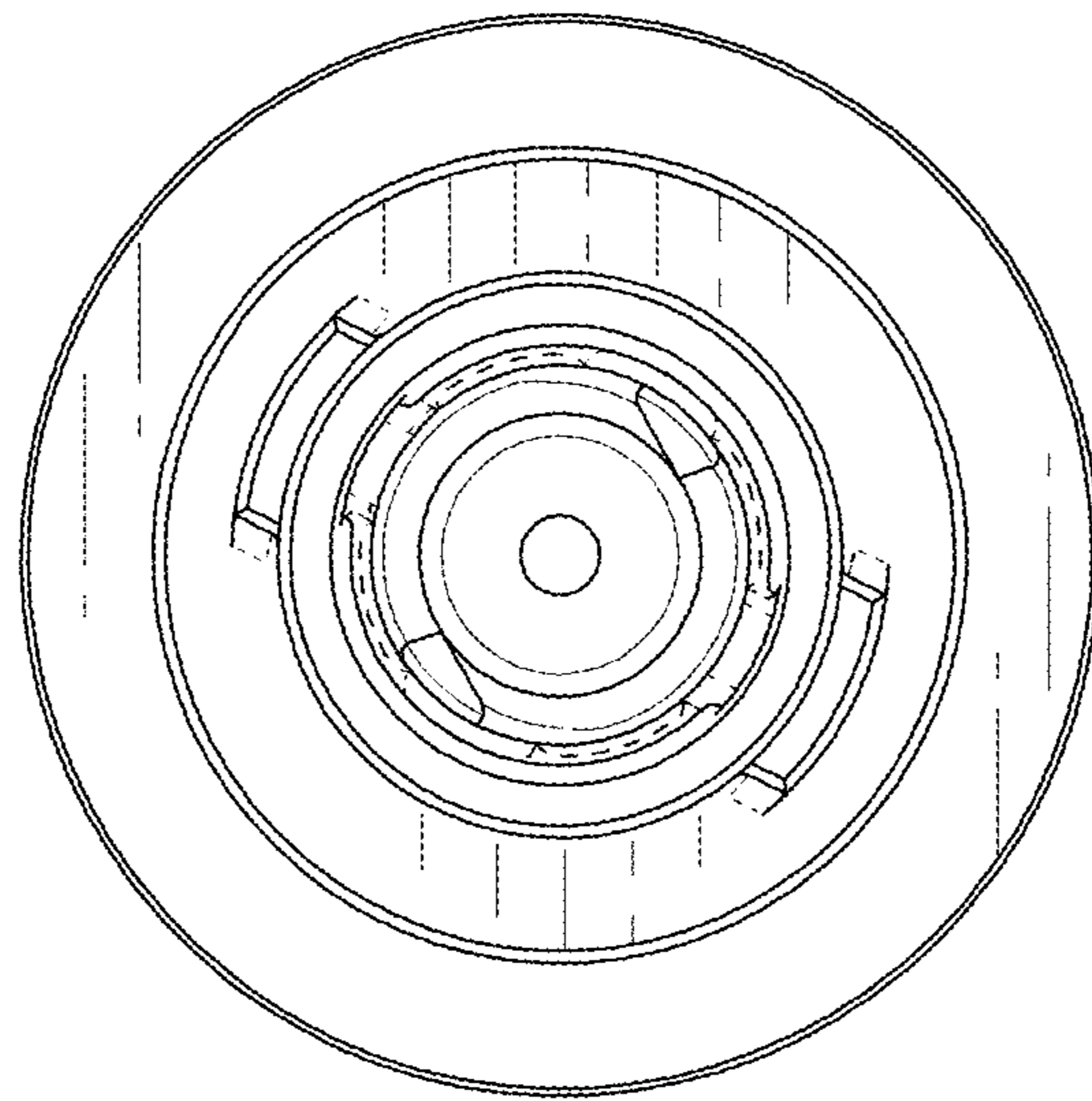
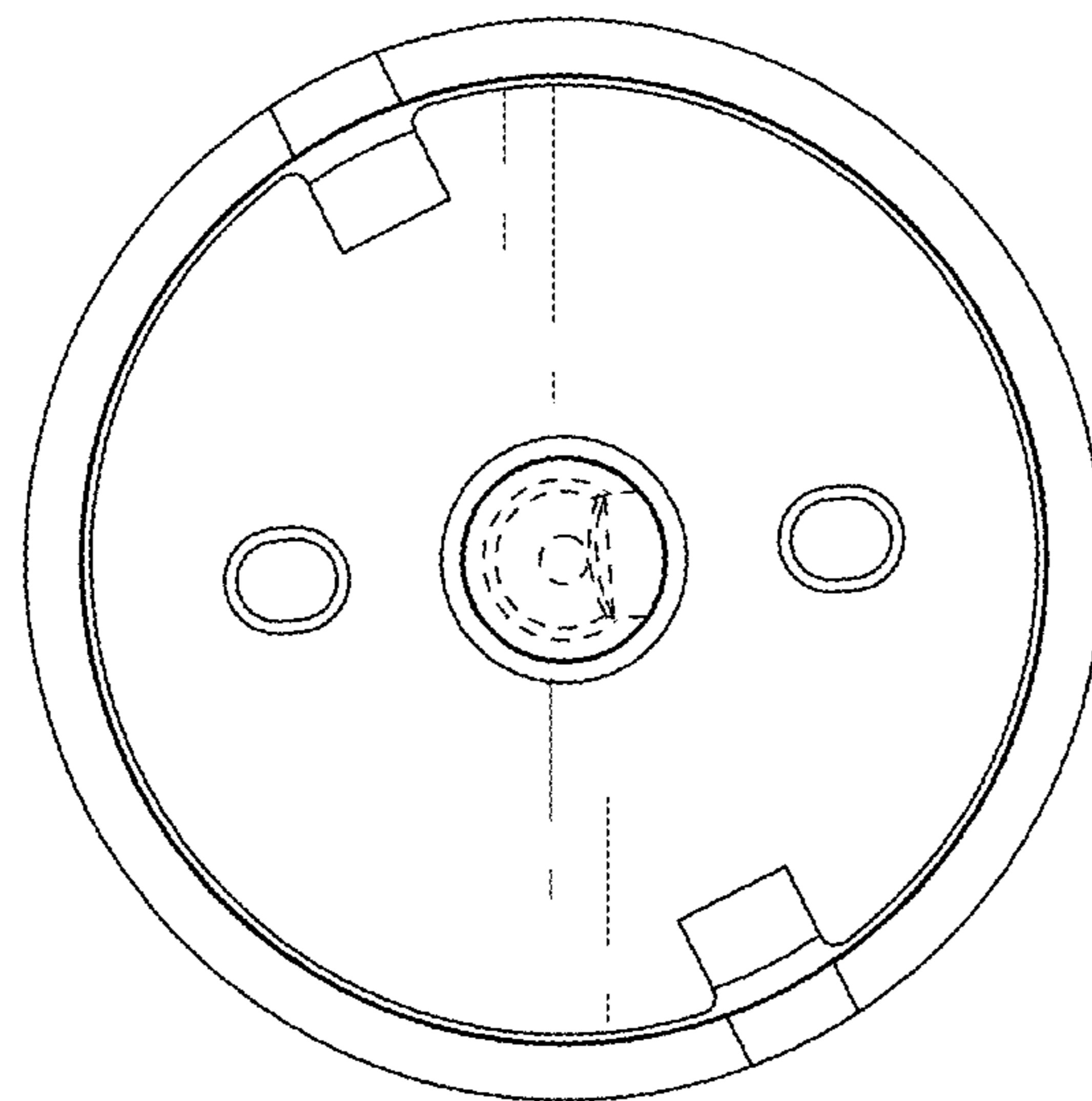


FIG. 8



*FIG. 9*



*FIG. 10*