



US00D796573S

(12) **United States Design Patent** (10) **Patent No.:** **US D796,573 S**
Li et al. (45) **Date of Patent:** **** Sep. 5, 2017**

(54) **TONER CARTRIDGE**

(56) **References Cited**

(71) Applicant: **PRINT-RITE—UNICORN IMAGE PRODUCTS CO., LTD. OF ZHUHAI, Zhuhai (CN)**

(72) Inventors: **Zhengguang Li, Zhuhai (CN); Wenyi Fan, Zhuhai (CN)**

(73) Assignee: **PRINT-RITE—UNICORN IMAGE PRODUCTS CO., LTD. OF ZHUHAI (CN)**

U.S. PATENT DOCUMENTS

D422,304 S *	4/2000	Suzuki	D18/43
D539,335 S *	3/2007	Jeon	D18/43
D588,633 S *	3/2009	Oda	D18/43
D591,338 S *	4/2009	Kusudo	D18/43
D601,183 S *	9/2009	Ishikawa	D18/43
D638,054 S *	5/2011	Sato	D18/43
D674,006 S *	1/2013	Ohta	D18/43
D694,815 S *	12/2013	Fukamachi	D18/43
D718,380 S *	11/2014	Mori	D18/43

* cited by examiner

(**) Term: **14 Years**

Primary Examiner — Wan Laymon

(21) Appl. No.: **29/525,413**

Assistant Examiner — Clint A Samuel

(22) Filed: **Apr. 29, 2015**

(74) *Attorney, Agent, or Firm* — Lerner, David, Littenberg, Krumholz & Mentlik, LLP

(30) **Foreign Application Priority Data**

Oct. 29, 2014 (CN) 2014 3 0416056

(51) **LOC (10) Cl.** **16-03**

(52) **U.S. Cl.**
USPC **D18/43**

(58) **Field of Classification Search**
USPC D14/471, 474, 475; D16/246; D18/12, D18/36-39, 40, 43, 44, 49, 50-59; 347/121, 122, 222-224; 399/24-30, 399/107-125, 222-224, 252-262, 399/343-360; 222/DIG. 1
CPC G03G 15/00; G03G 15/08; G03G 15/0815; G03G 15/0142; G03G 21/08; G03G 21/1814; G03G 21/1835; G03G 21/185; G03G 21/1842; G03G 21/1857; G03G 21/1853; G03G 21/16-21/18; G06K 15/12; G06K 15/14; H04N 1/00129; H04N 1/00278; H04N 1/00135; B41J 11/00; B41J 3/00; B41J 3/28

See application file for complete search history.

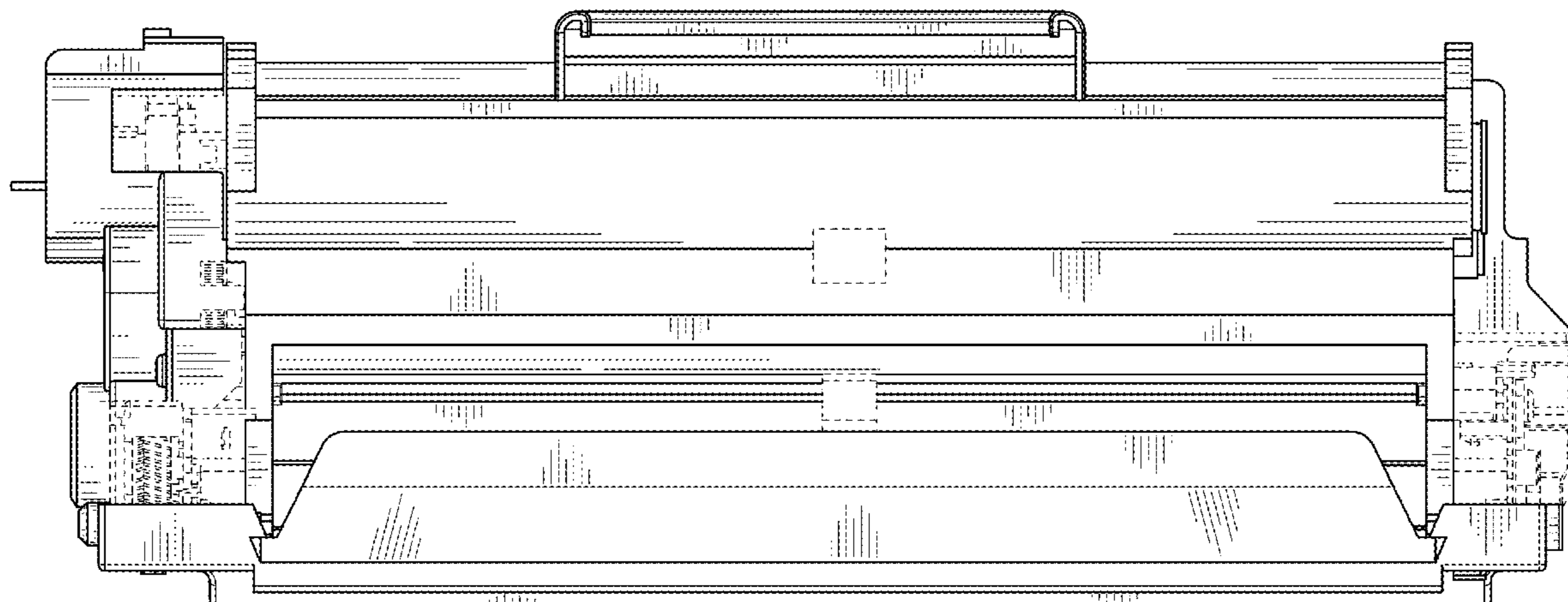
(57) **CLAIM**

The ornamental design for a toner cartridge, as shown and described.

DESCRIPTION

FIG. 1 is a front view of a toner cartridge according to our present invention;
FIG. 2 is an enlarged bottom view thereof;
FIG. 3 is an enlarged top plan view thereof;
FIG. 4 is a right side view thereof;
FIG. 5 is a rear view thereof;
FIG. 6 is a left side view thereof; and,
FIG. 7 is a perspective view thereof.
The broken lines in the figures are for the purpose of illustrating environmental structure and form no part of the claimed design.

1 Claim, 7 Drawing Sheets



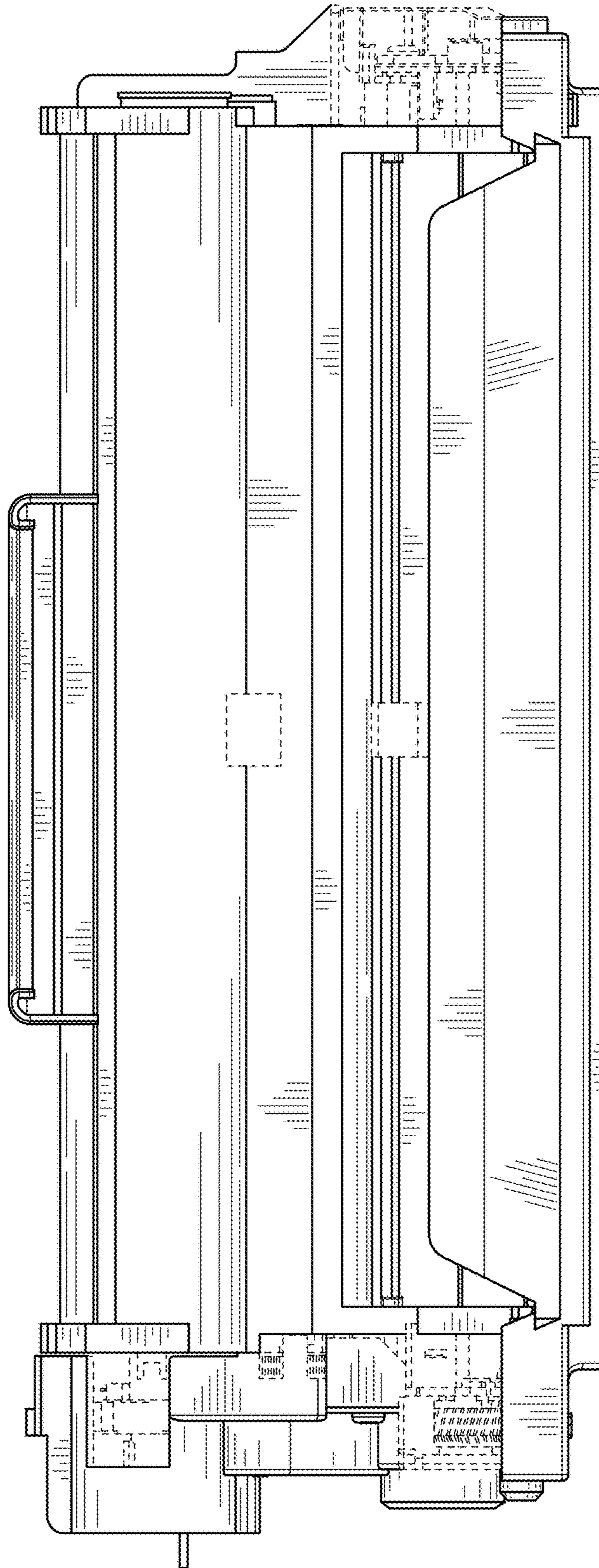


FIG. 1

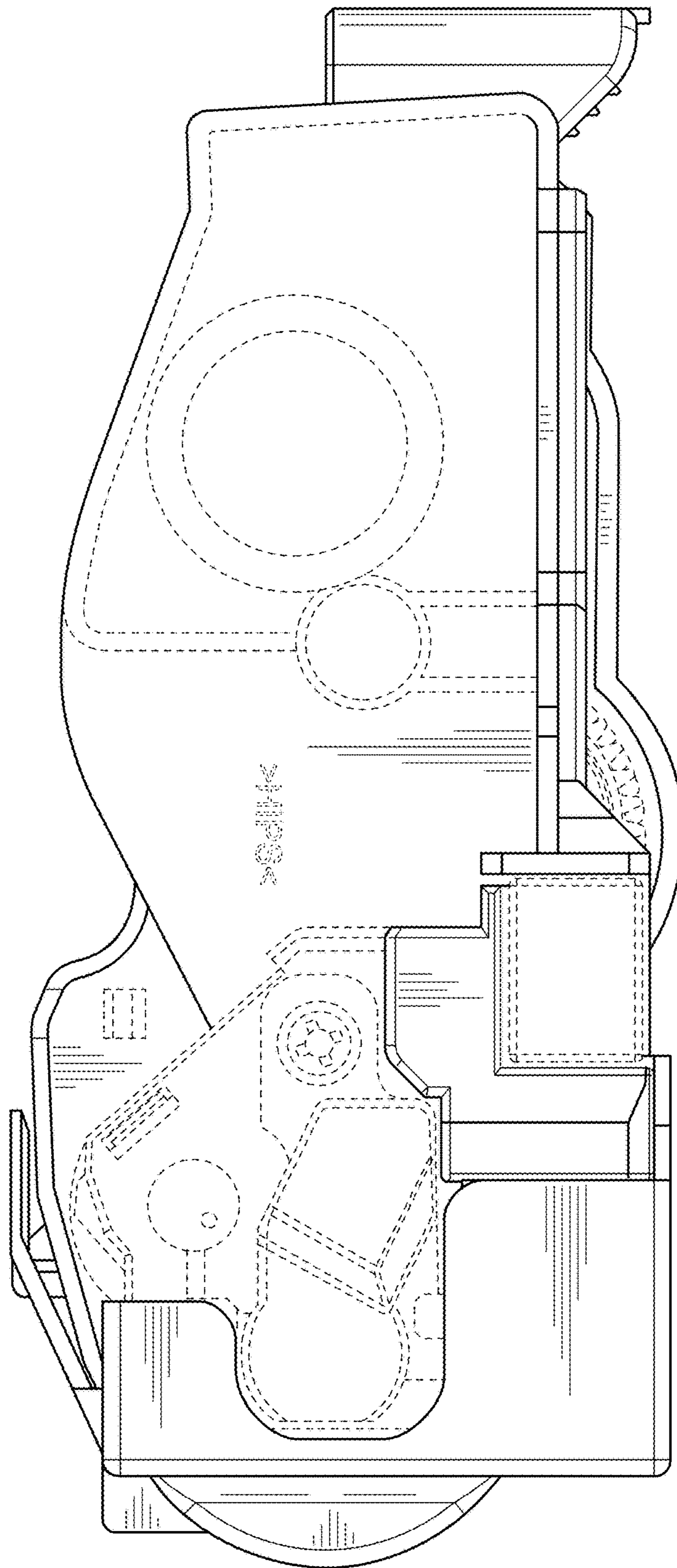


FIG. 2

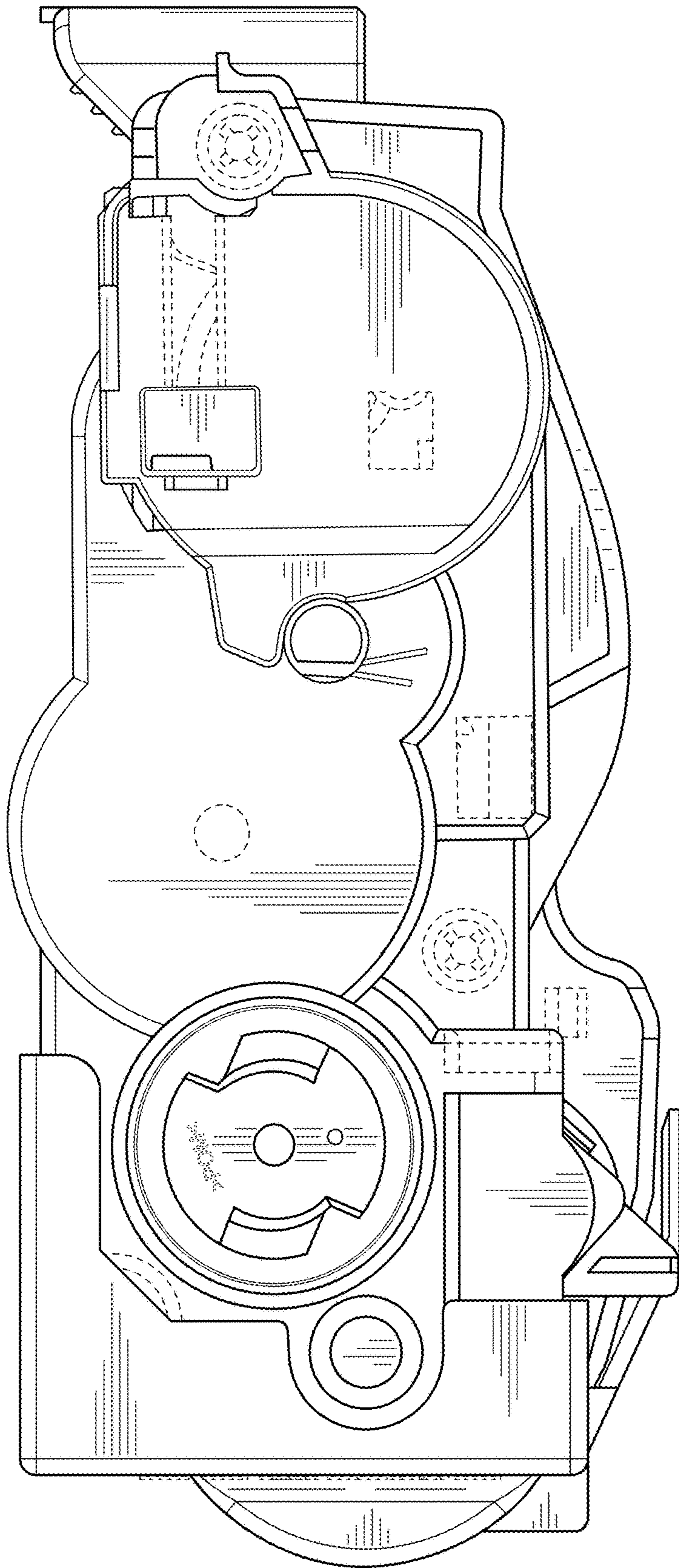


FIG. 3

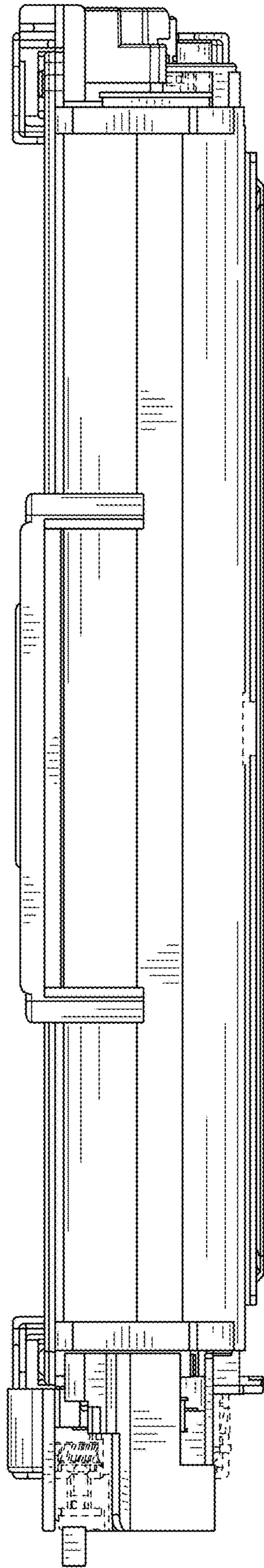


FIG. 4

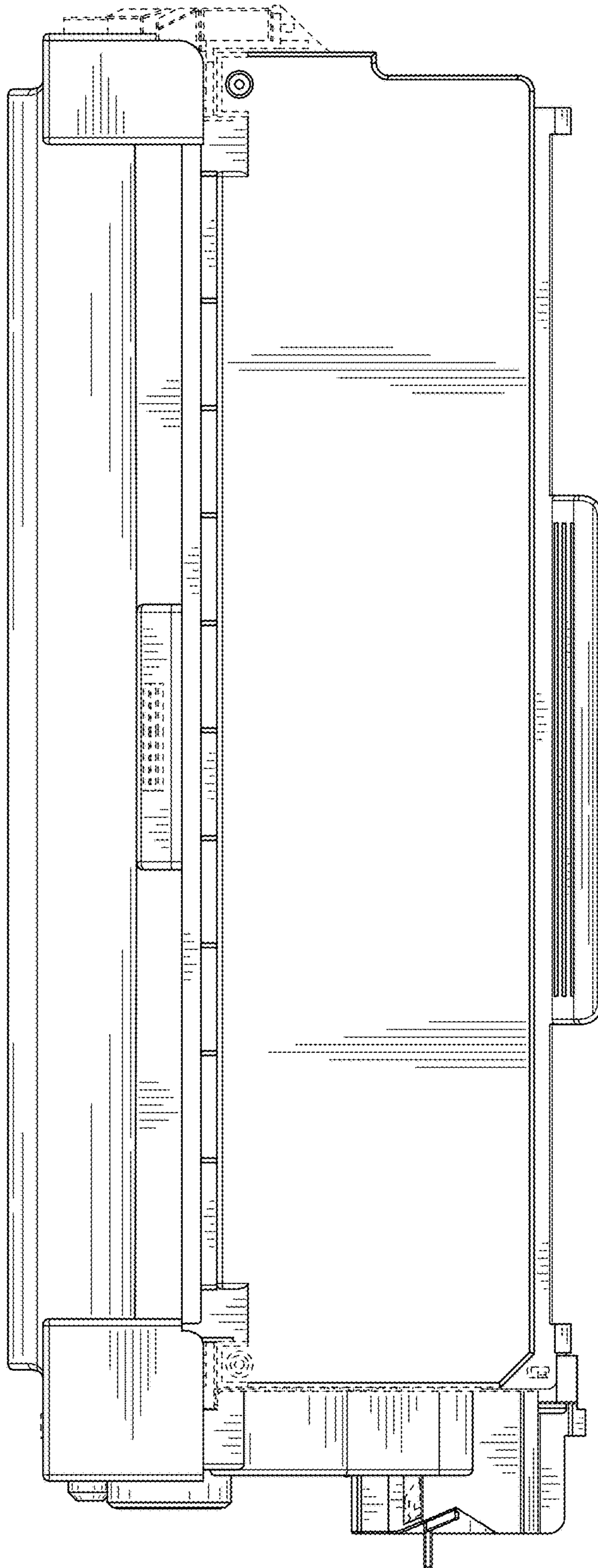


FIG. 5

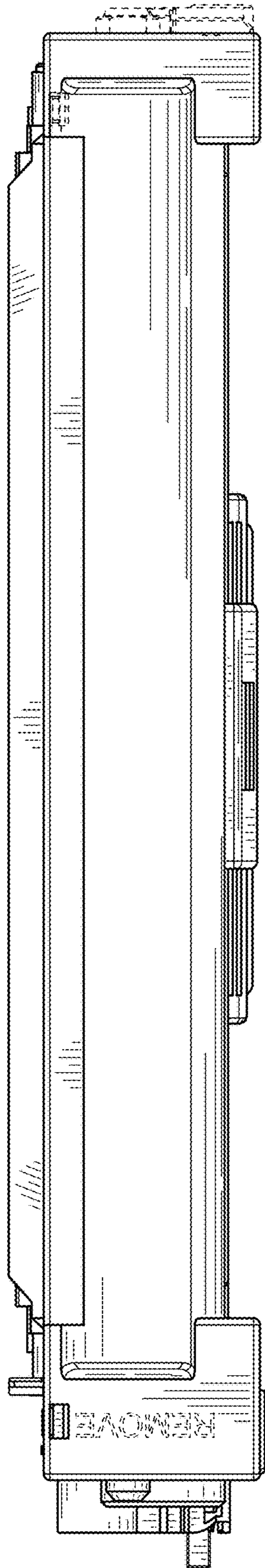


FIG. 6

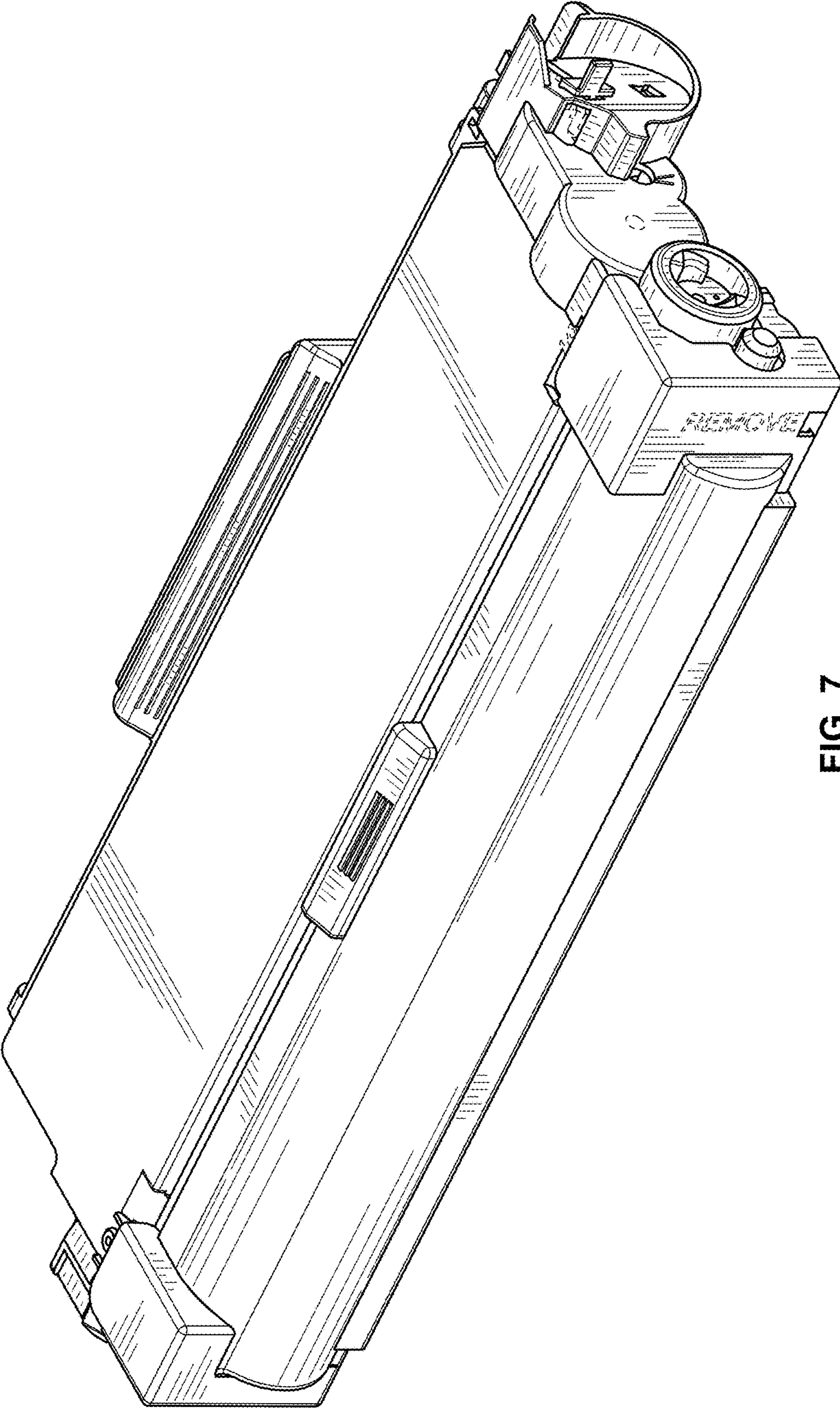


FIG. 7