



US00D796572S

(12) **United States Design Patent**  
**Lin**

(10) **Patent No.:** **US D796,572 S**  
(45) **Date of Patent:** **\*\* Sep. 5, 2017**

(54) **MARKING PRESS**

FOREIGN PATENT DOCUMENTS

(71) Applicants: **DA HAN INDUSTRIAL CO., LTD.**,  
Taichung (TW); **SUPERIOR-WORLD**  
**PRODUCTS INTERNATIONAL CO.,**  
**LTD.**, Taipei (TW)

CN EP 2418095 A1 \* 2/2012 ..... B30B 1/04  
GB 410584 A \* 5/1934 ..... B44B 5/0038  
GB 1285580 A \* 8/1972 ..... B41J 3/39

(72) Inventor: **Tzu-Chau Lin**, Taichung (TW)

OTHER PUBLICATIONS

(73) Assignees: **Da Han Industrial Co., Ltd.**, Taichung  
(TW); **Superior-World Products**  
**International Co., Ltd.**, Taipei (TW)

Amazon. <URL: [https://www.amazon.com/Imprue-SH-RD-EM-01-01-Ez-seal-Official-Embosser/dp/B00O2YR7F6/ref=sr\\_1\\_4?ie=UTF8&qid=1496432134&sr=8-4&keywords=Notary+Seal+Embosser.](https://www.amazon.com/Imprue-SH-RD-EM-01-01-Ez-seal-Official-Embosser/dp/B00O2YR7F6/ref=sr_1_4?ie=UTF8&qid=1496432134&sr=8-4&keywords=Notary+Seal+Embosser.)> Feb. 11, 2012. Notary Embosser.\*

(\*\*) Term: **15 Years**

(Continued)

(21) Appl. No.: **29/545,976**

*Primary Examiner* — Bridget L Eland

(22) Filed: **Nov. 18, 2015**

*Assistant Examiner* — Lauren McVey

(51) **LOC (10) Cl.** ..... **19-02**

(74) *Attorney, Agent, or Firm* — Alan D. Kamrath;  
Kamrath IP Lawfirm, P.A.

(52) **U.S. Cl.**

USPC ..... **D18/15**

(58) **Field of Classification Search**

USPC ..... D18/15, 16, 17, 18, 19

CPC ..... B41K 5/006; B41K 5/003; B41K 3/36;

B44B 5/0038; B44B 5/0085; B44B 5/026;

B44B 5/00; B44B 5/0052; B41J 3/39

See application file for complete search history.

(57) **CLAIM**

The ornamental design for a marking press, as shown and described.

(56) **References Cited**

**DESCRIPTION**

U.S. PATENT DOCUMENTS

- 1,365,401 A \* 1/1921 Hellberg ..... B44B 5/0085  
101/31.1
- 2,077,853 A \* 4/1937 Priesmeyer ..... B44B 5/0038  
101/31.1
- 2,998,766 A \* 9/1961 Priesmeyer ..... B41K 3/36  
101/31.1
- 3,154,010 A \* 10/1964 Rudy ..... B41K 3/36  
101/125
- 3,177,801 A \* 4/1965 Priesmeyer ..... B44B 5/0085  
101/31.1
- 3,522,769 A \* 8/1970 Priesmeyer ..... B41K 5/003  
101/125
- 3,626,844 A \* 12/1971 Priesmeyer ..... B44B 5/0085  
101/31.1
- D474,494 S \* 5/2003 Petersen ..... D18/19

FIG. 1 is a perspective view of a marking press showing my new design;

FIG. 2 is a front view thereof;

FIG. 3 is a rear view thereof;

FIG. 4 is a left view thereof;

FIG. 5 is a right view thereof;

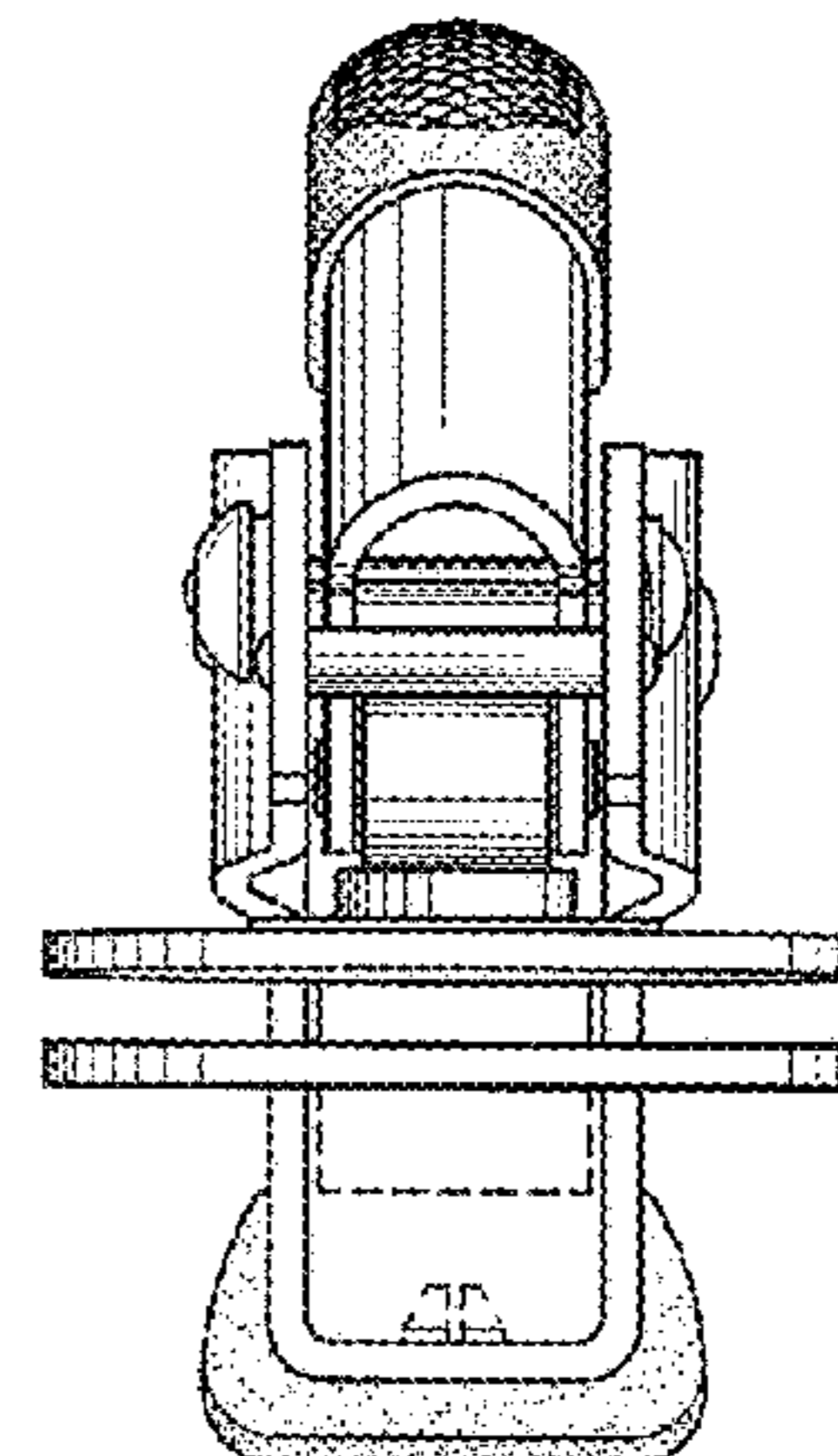
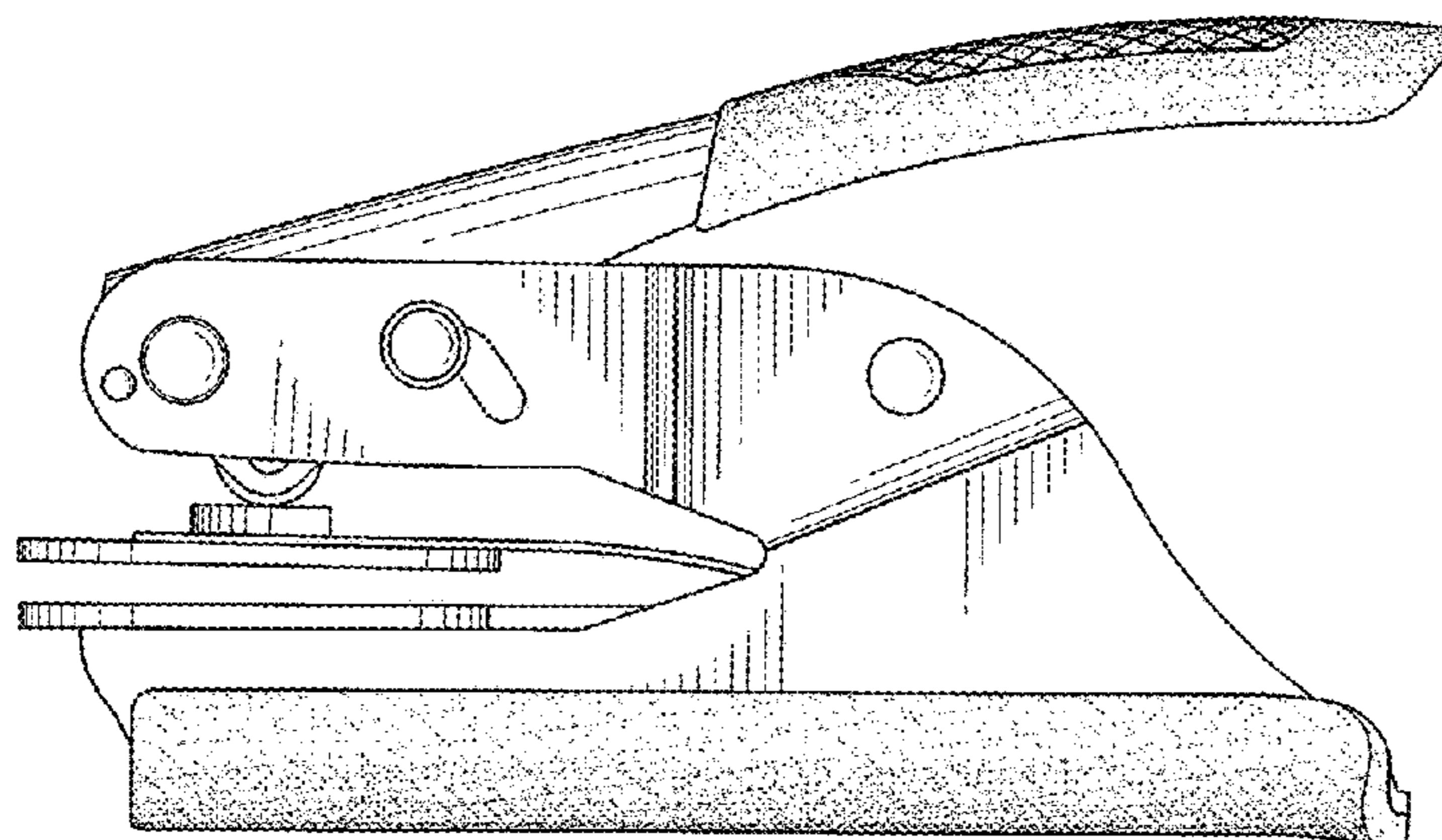
FIG. 6 is a top view thereof; and,

FIG. 7 is a bottom view thereof.

The broken lines shown in the views are directed to environment and are for illustrative purposes only; the broken lines form no part of the claimed design.

In the drawings, the stippled shading represents surfaces having the contrast in appearance shown.

**1 Claim, 5 Drawing Sheets**



(56)

**References Cited**

U.S. PATENT DOCUMENTS

D480,103 S \* 9/2003 Stefanski ..... D18/15  
D748,722 S \* 2/2016 Riegler ..... D18/15  
D751,647 S \* 3/2016 Blumberg ..... D20/28  
2006/0230951 A1 \* 10/2006 Petersen ..... B44B 5/0085  
101/28  
2012/0037015 A1 \* 2/2012 Shih ..... B30B 1/04  
101/22

OTHER PUBLICATIONS

C.H.Hanson Company <URL: <http://www.chhanson.com/tagsAccessories.html>.> Jun. 2, 2017. Hercules Lead Sealing Press.\*

\* cited by examiner

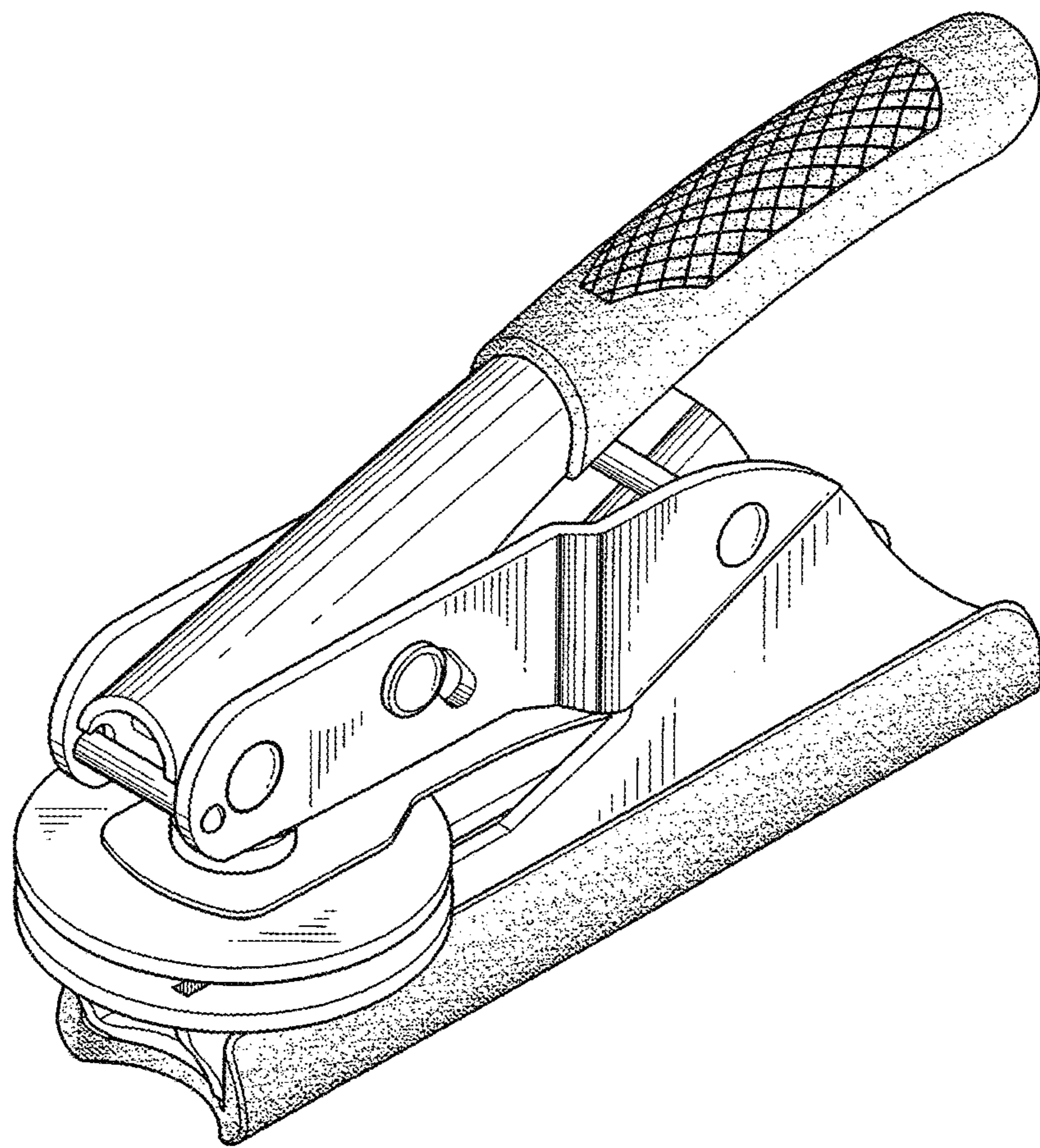


FIG. 1

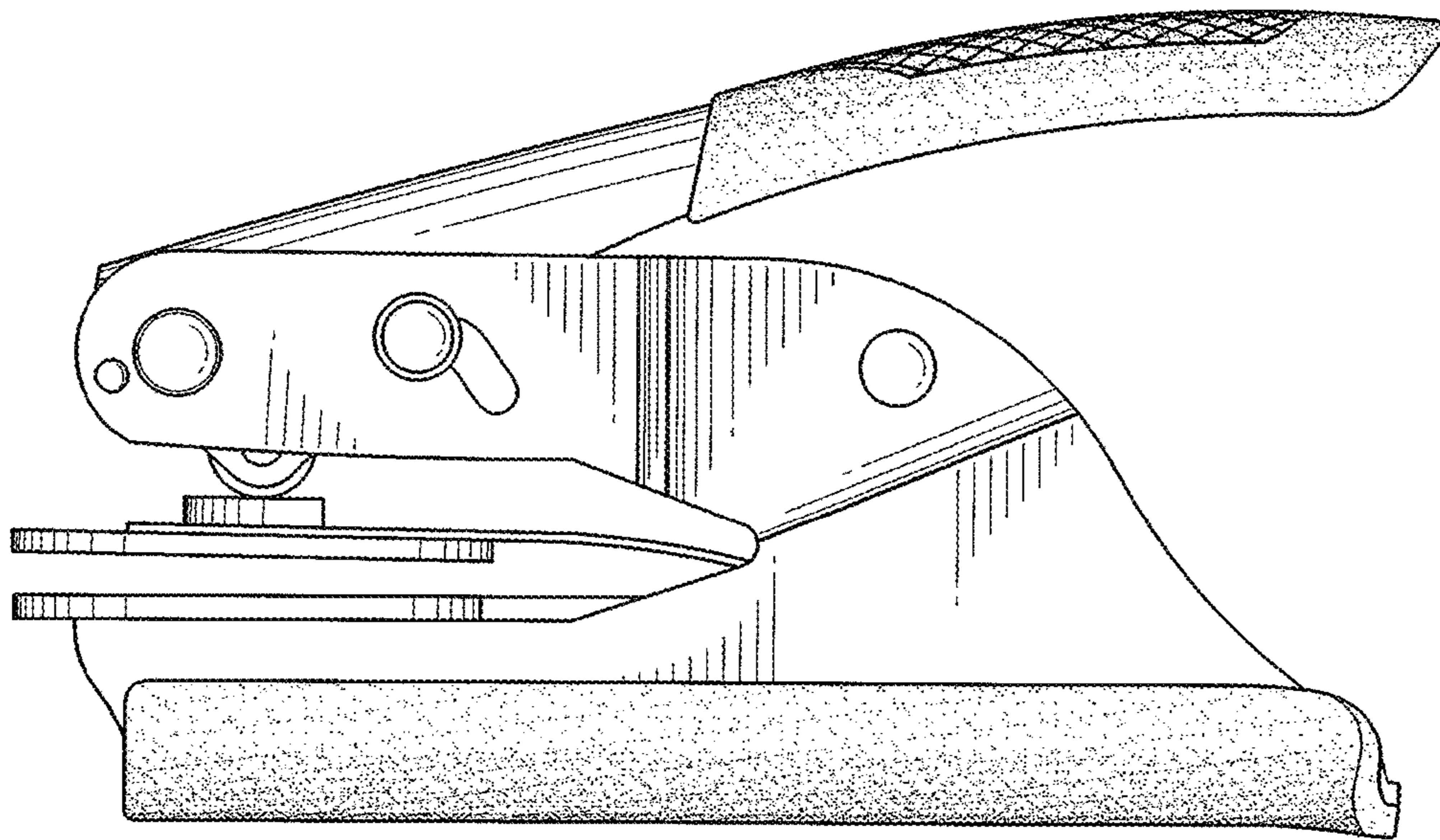


FIG. 2

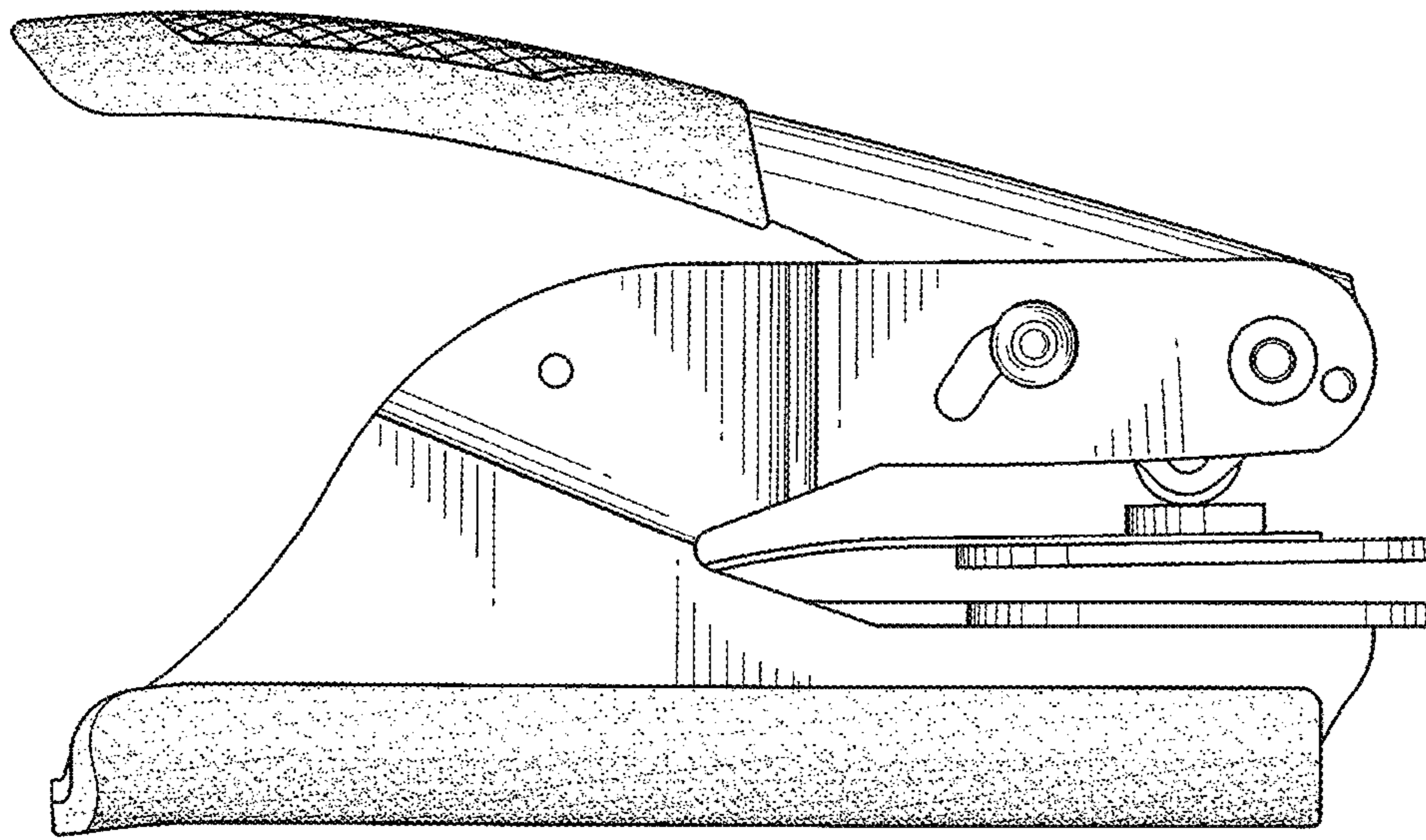


FIG. 3

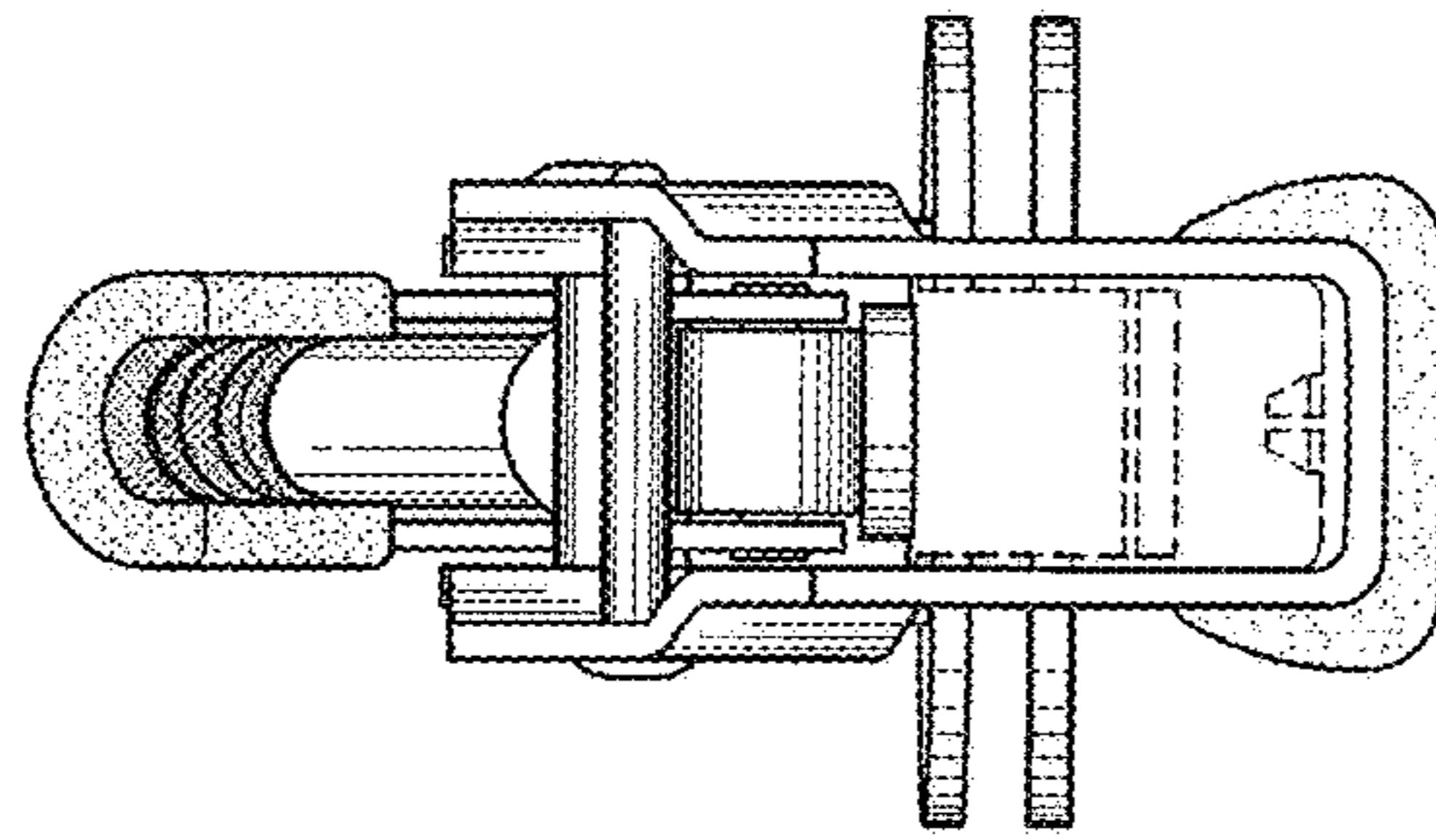


FIG. 5

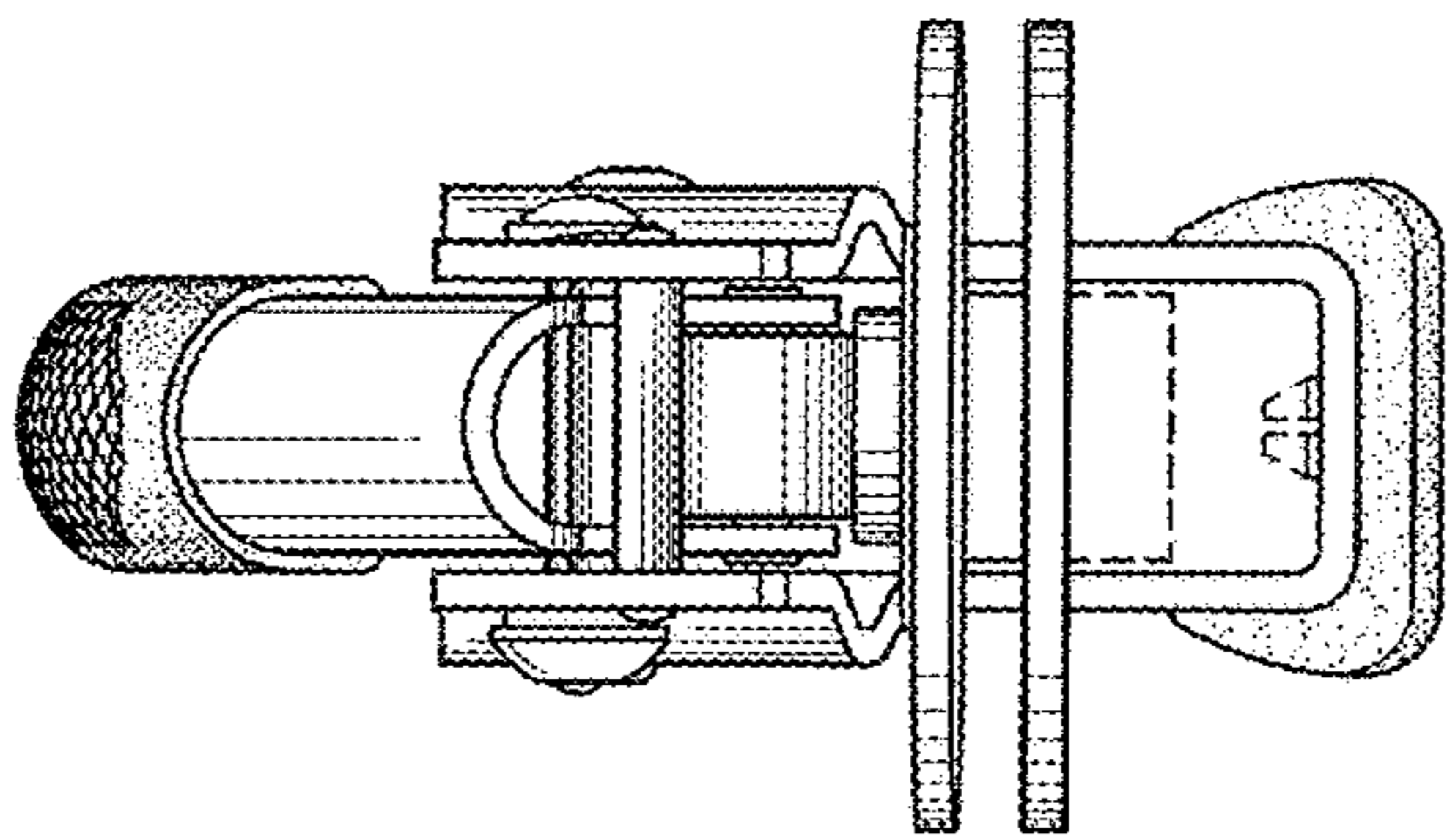


FIG. 4

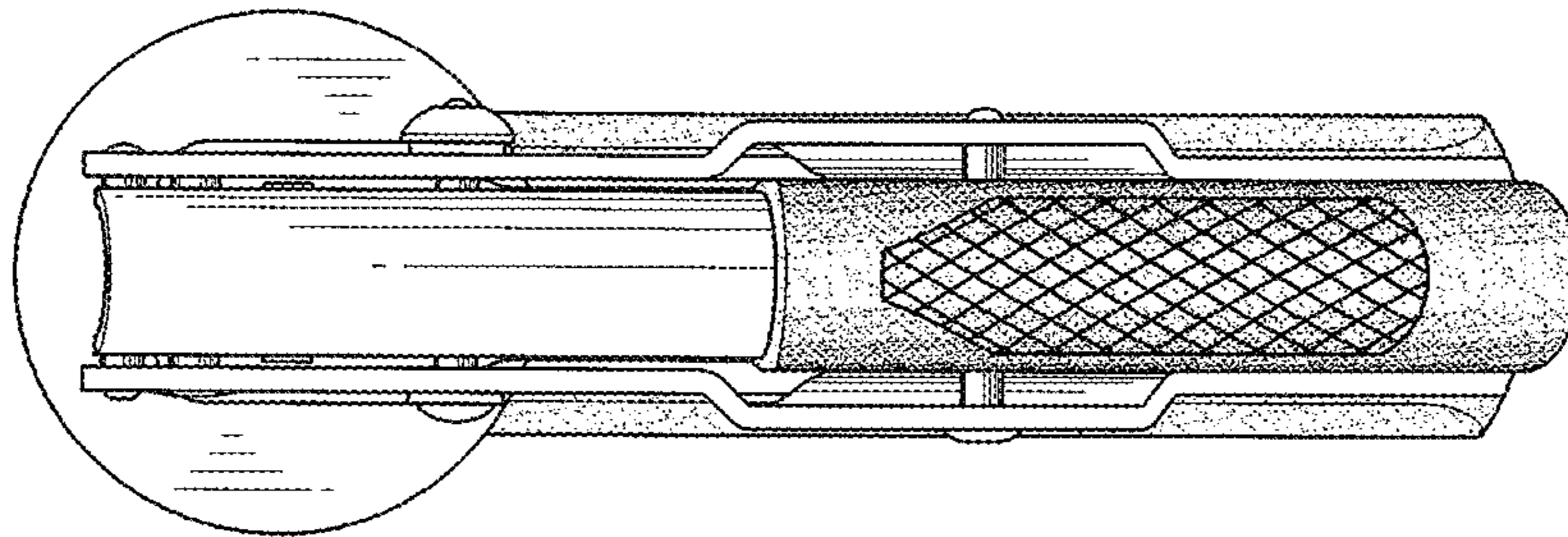


FIG. 6

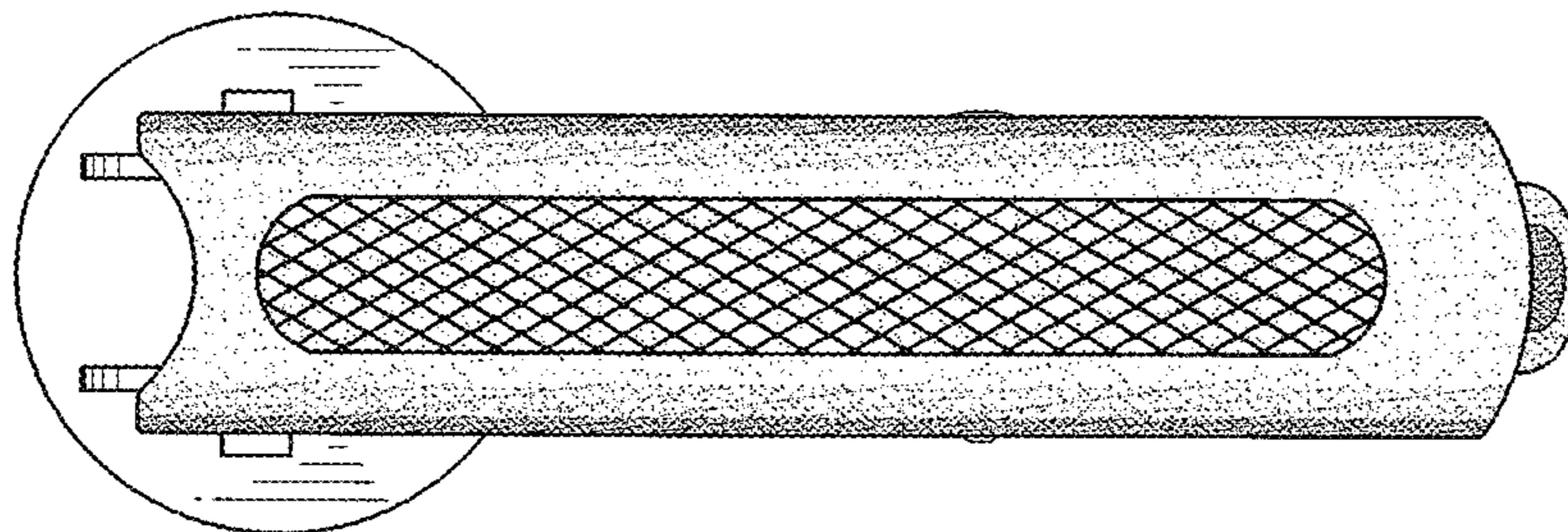


FIG. 7