



US00D796570S

(12) **United States Design Patent** (10) **Patent No.:** **US D796,570 S**
Peng et al. (45) **Date of Patent:** **** Sep. 5, 2017**

(54) **PROJECTOR**

D691,188 S * 10/2013 Yuyama D16/225
D709,938 S * 7/2014 Okamoto D16/225
D722,098 S * 2/2015 Hamaue D16/225

(71) Applicant: **Shinex Electronic Industries Inc.**,
New Taipei (TW)

* cited by examiner

(72) Inventors: **Kuei-Chi Peng**, New Taipei (TW);
Kuei-Lin Peng, New Taipei (TW);
Chieh-Feng Wu, New Taipei (TW)

Primary Examiner — Randall Gholson
(74) *Attorney, Agent, or Firm* — Wang Law Firm, Inc.

(73) Assignee: **Shinex Electronic Industries Inc.**,
New Taipei (TW)

(57) **CLAIM**

(**) Term: **15 Years**

The ornamental design for a projector, as shown and described.

(21) Appl. No.: **29/549,546**

(22) Filed: **Dec. 22, 2015**

DESCRIPTION

(30) **Foreign Application Priority Data**

Oct. 8, 2015 (TW) 104305617

(51) **LOC (10) Cl.** **16-02**

(52) **U.S. Cl.**
USPC **D16/225**

(58) **Field of Classification Search**
USPC D16/221, 225, 230–231, 234; D21/514
CPC G03B 21/145; G03B 21/00; G03B 21/001;
G03B 21/003; G03B 21/14; G03B 21/12
See application file for complete search history.

FIG. 1 is a first perspective view of the projector, showing our new design;
FIG. 2 is a second perspective view thereof;
FIG. 3 is a third perspective view thereof;
FIG. 4 is a front elevational view thereof;
FIG. 5 is a rear elevational view thereof;
FIG. 6 is a left side elevational view thereof;
FIG. 7 is a right side elevational view thereof;
FIG. 8 is a top elevational view thereof;
FIG. 9 is a bottom elevational view thereof; and,
FIG. 10 is an exploded view thereof showing the projector in a usage state.

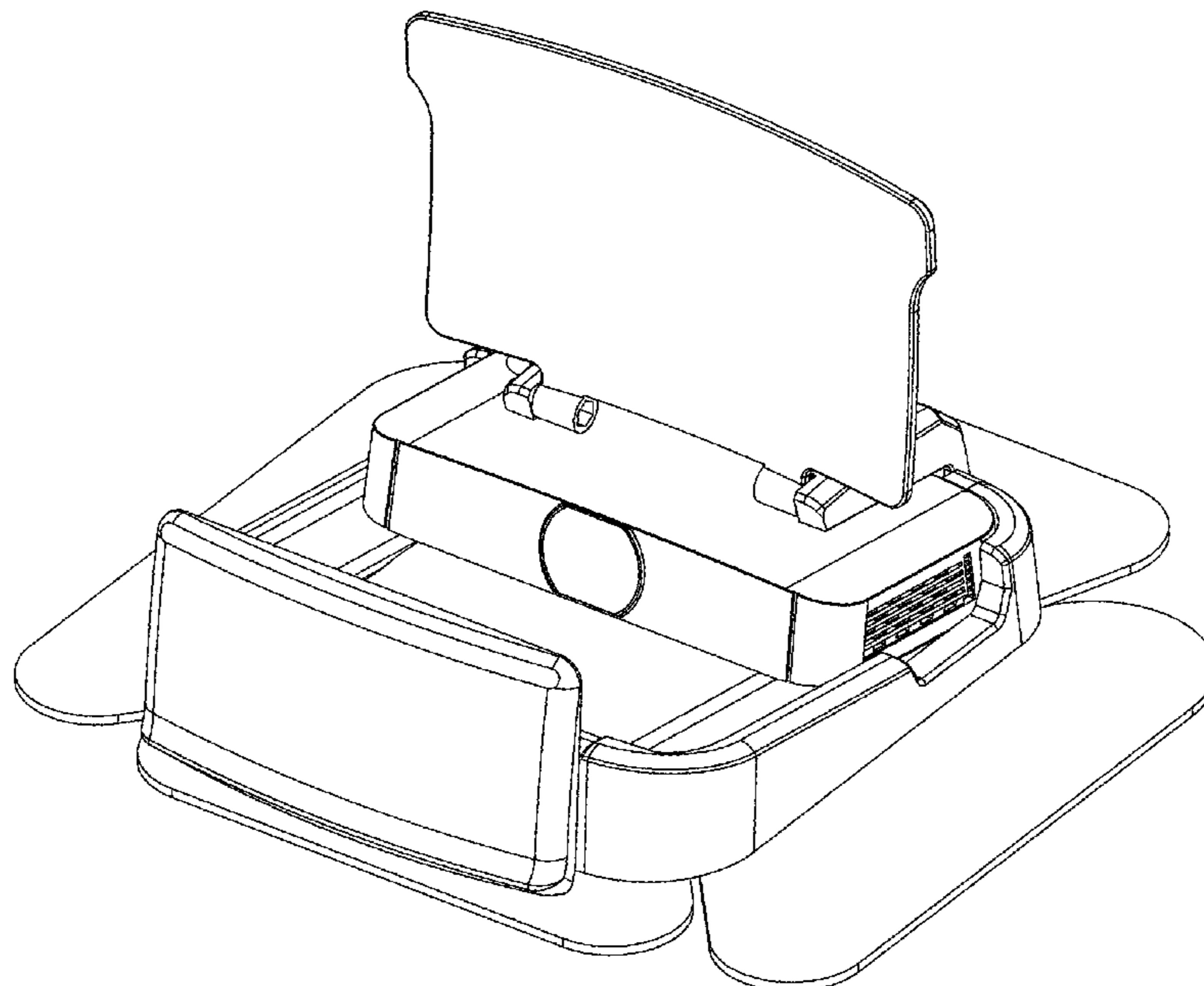
(56) **References Cited**

U.S. PATENT DOCUMENTS

7,108,382 B2 * 9/2006 Oross G03B 21/28
348/E5.143
D627,386 S * 11/2010 Kawaguchi D16/225

The broken lines shown in the drawings of a projector are for illustrative purposes only and form no part of the claimed design.

1 Claim, 10 Drawing Sheets



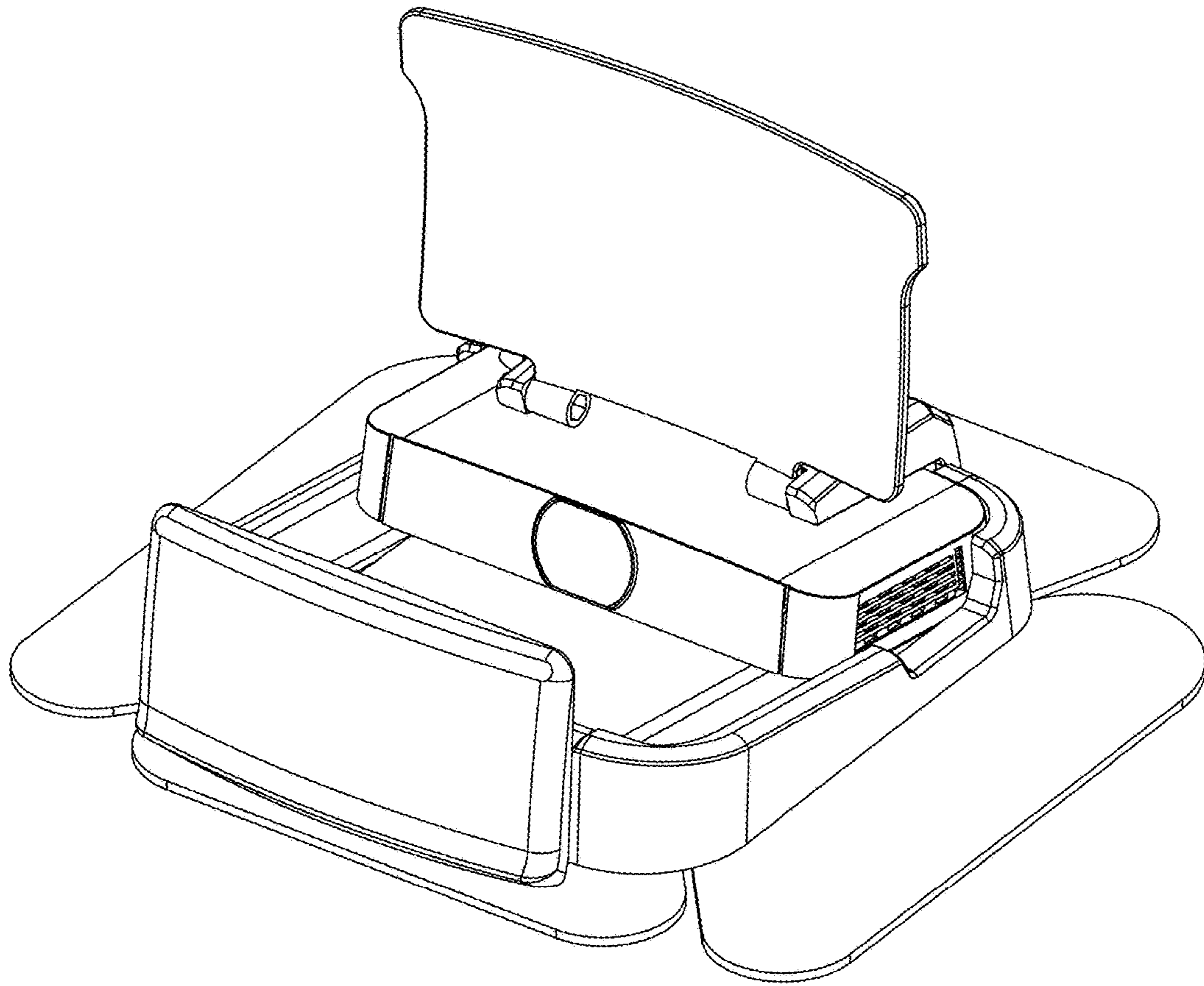


FIG. 1

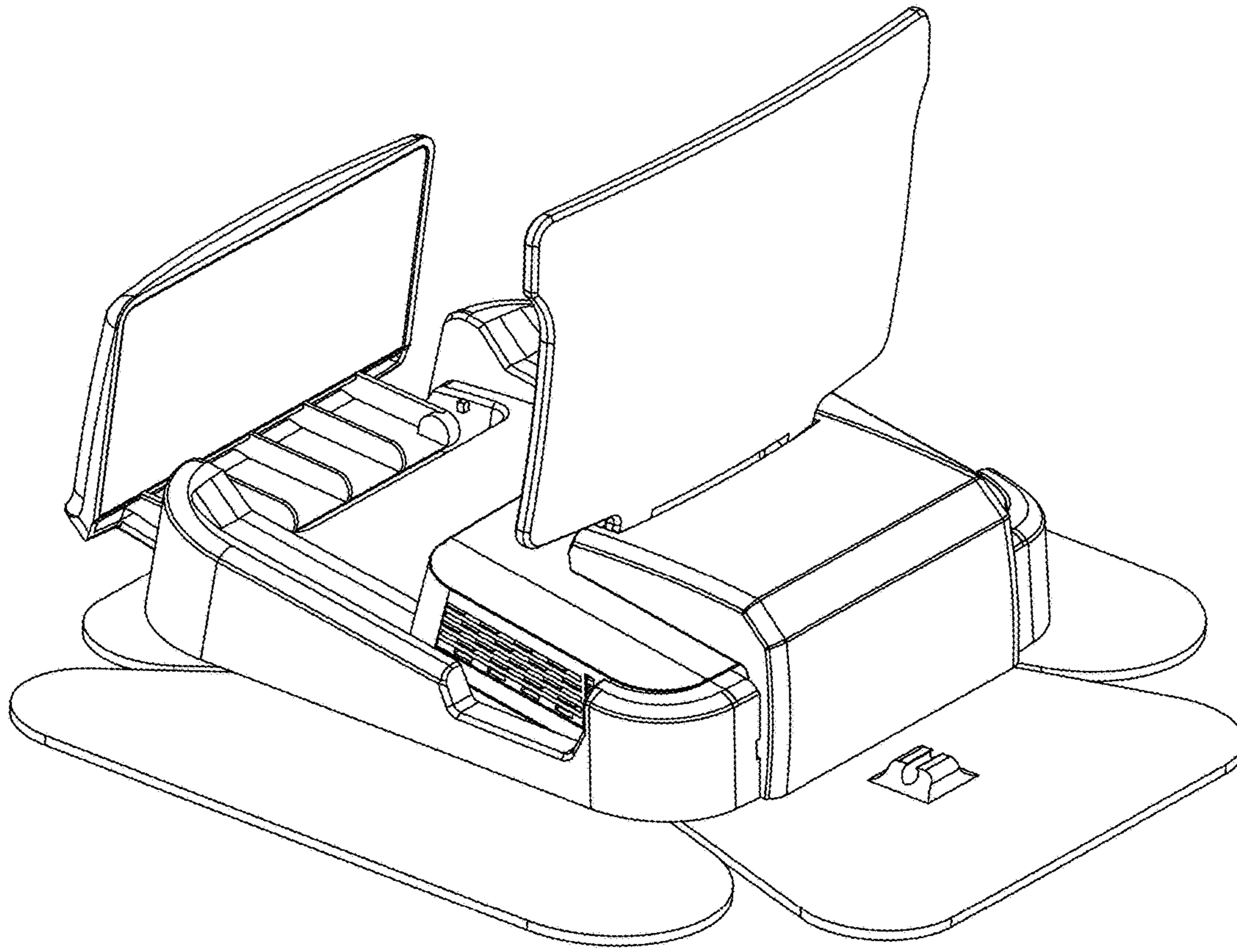


FIG. 2

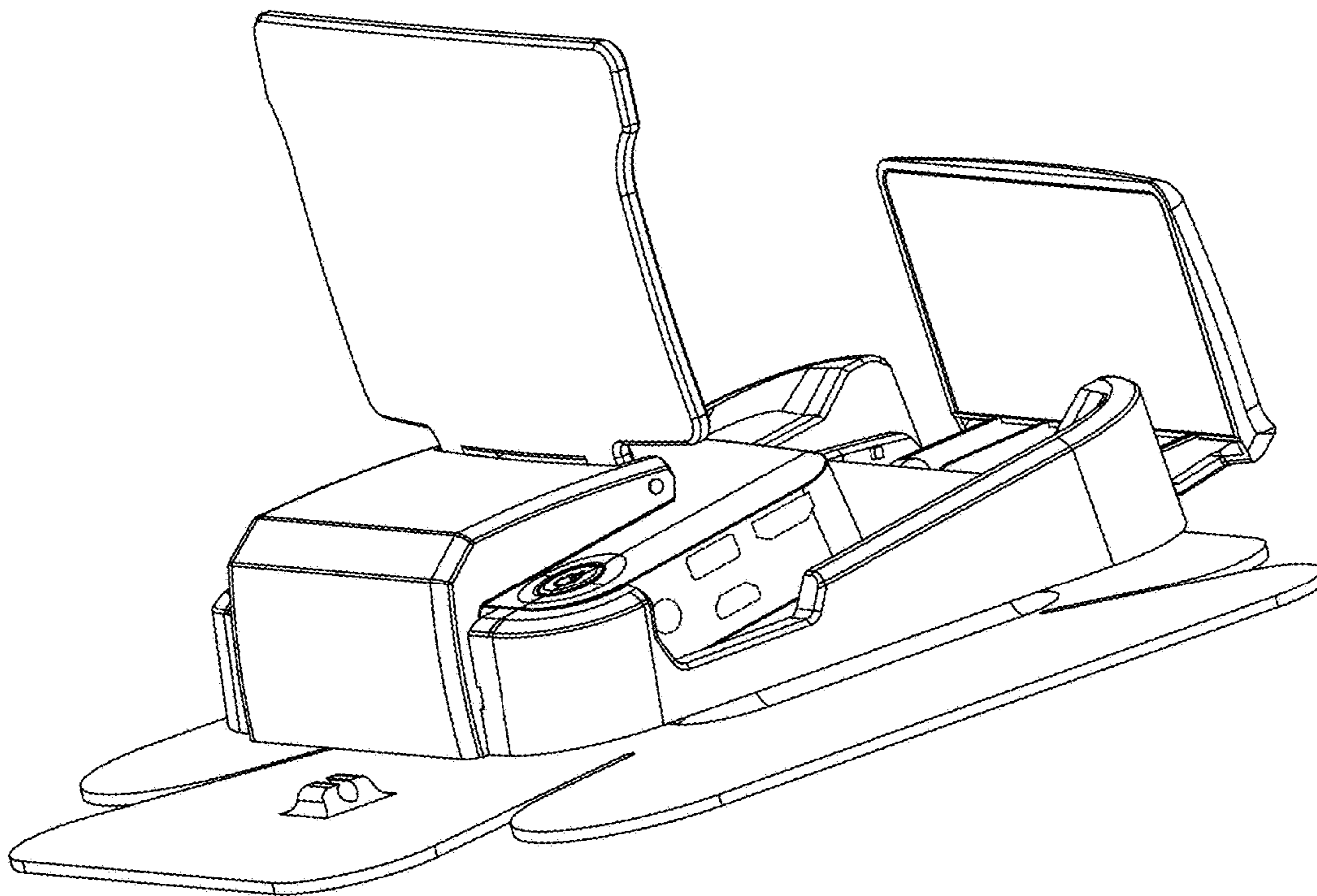


FIG. 3

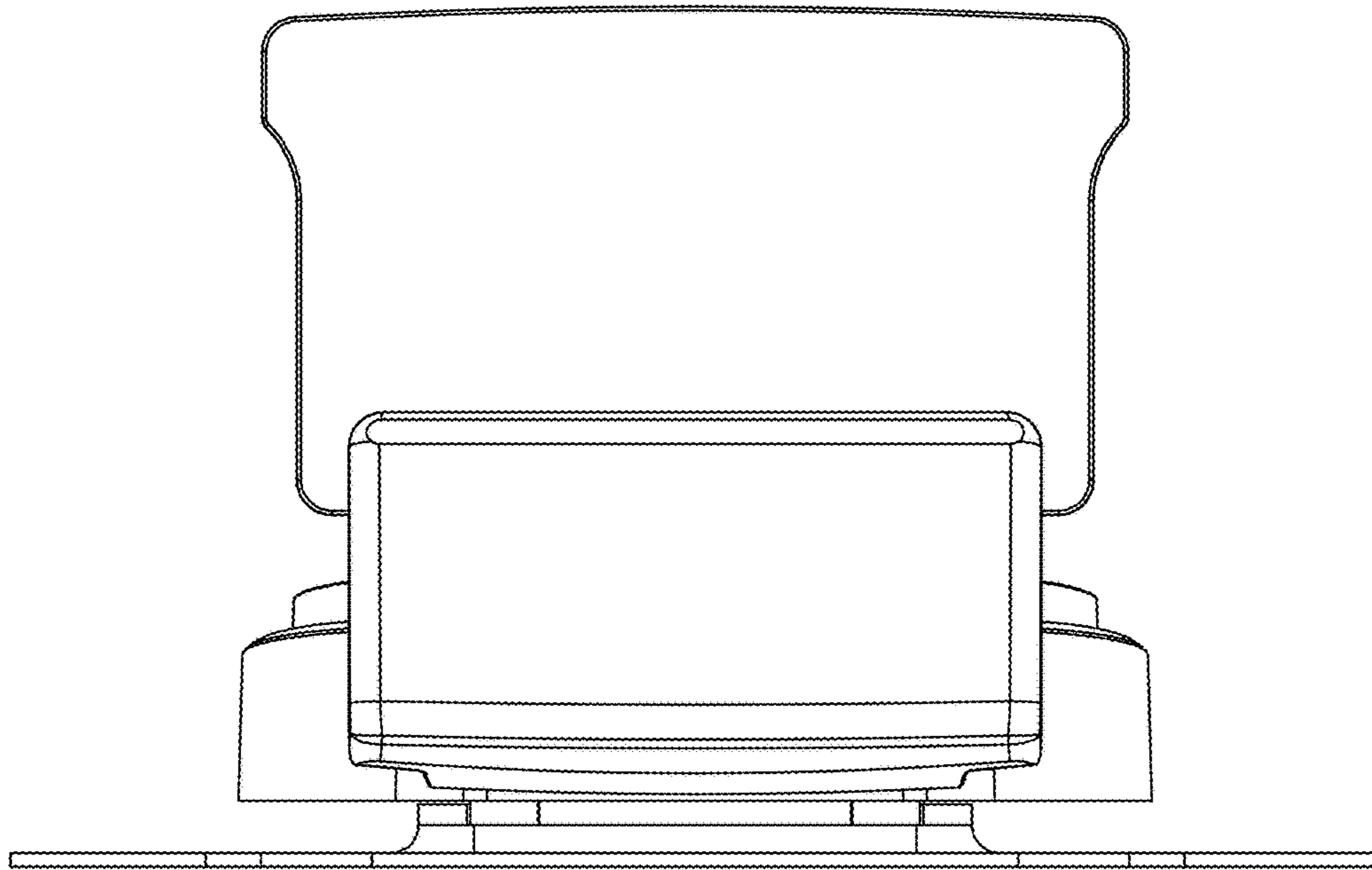


FIG. 4

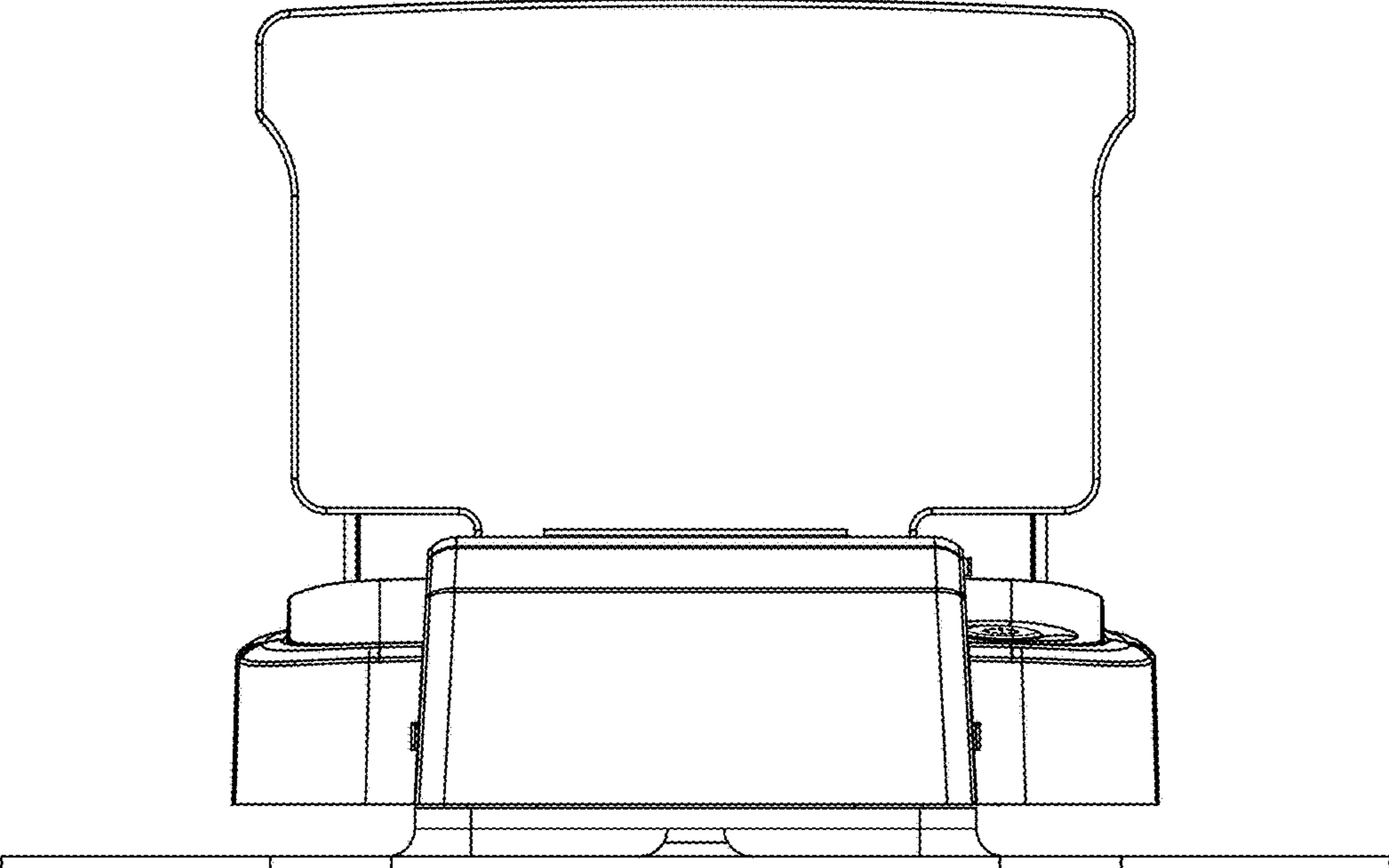


FIG. 5

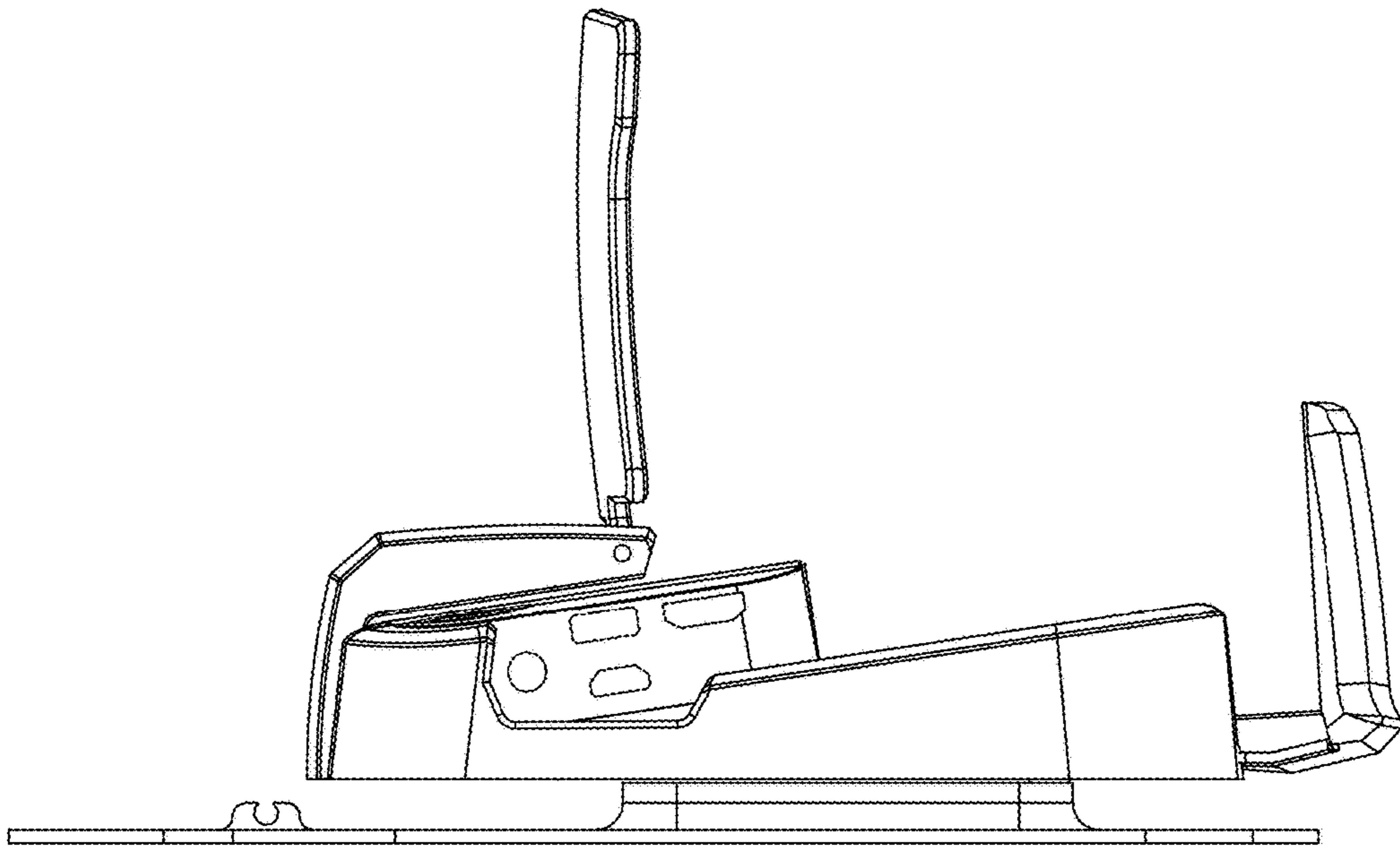


FIG. 6

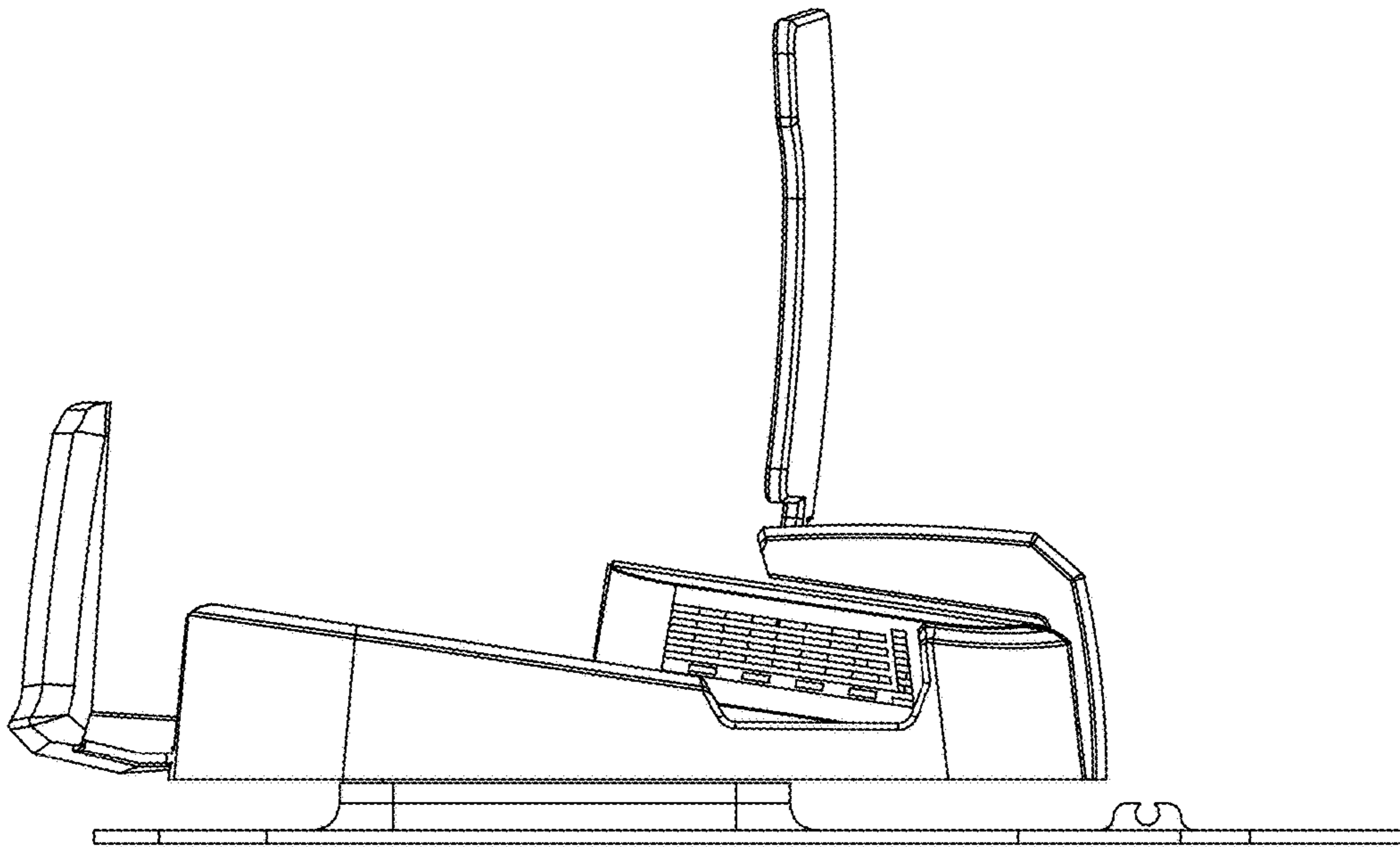


FIG. 7

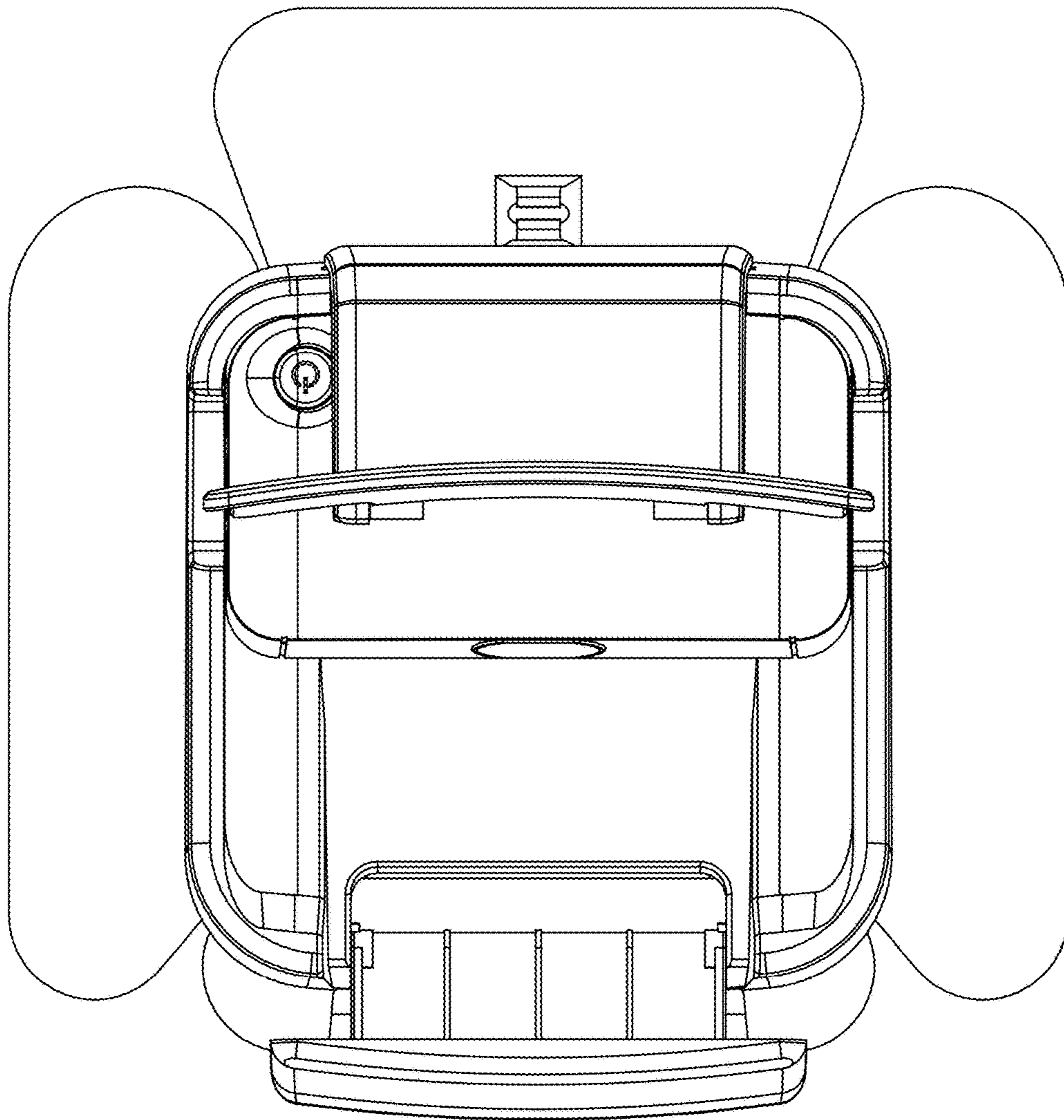


FIG. 8

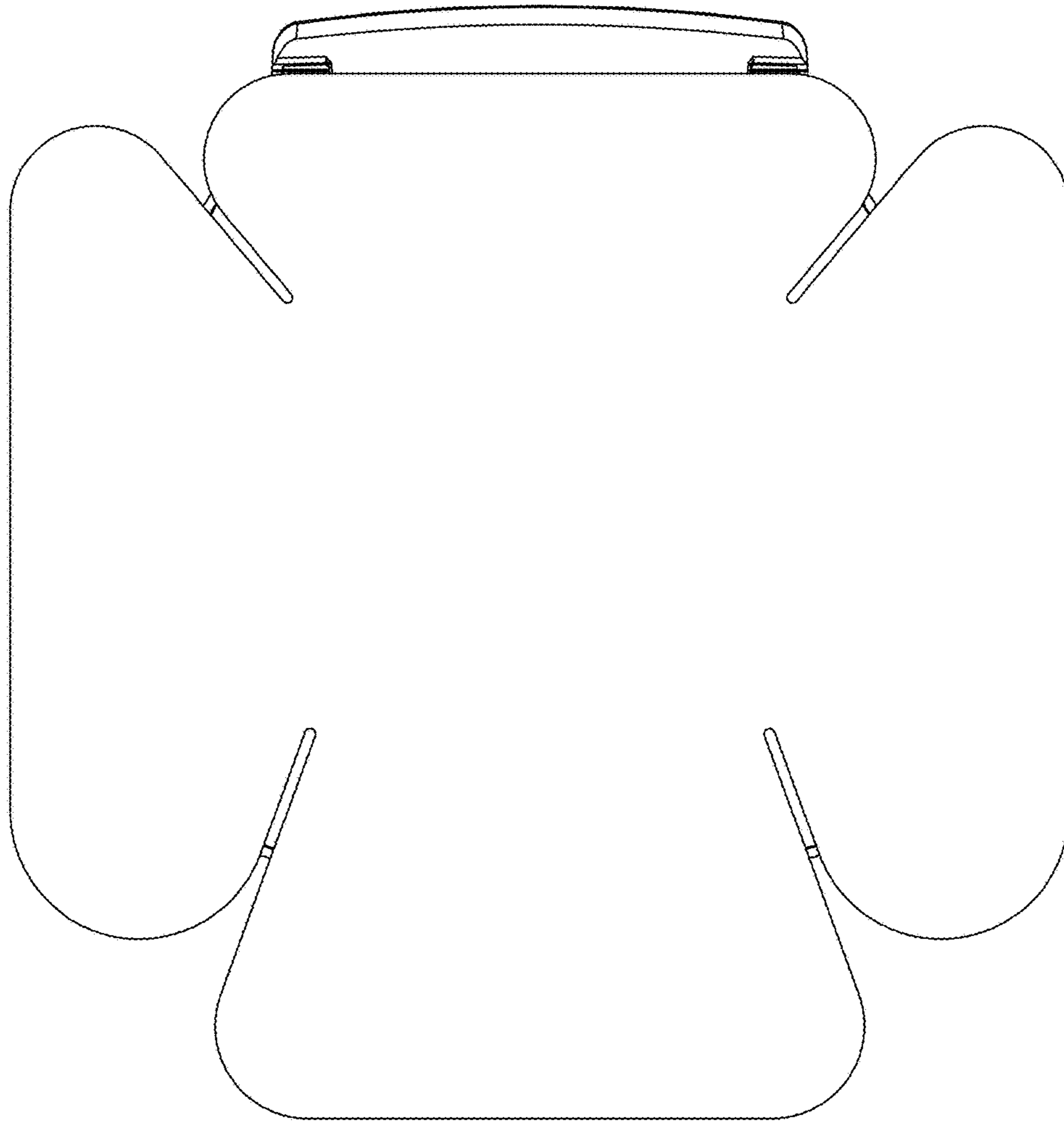


FIG. 9

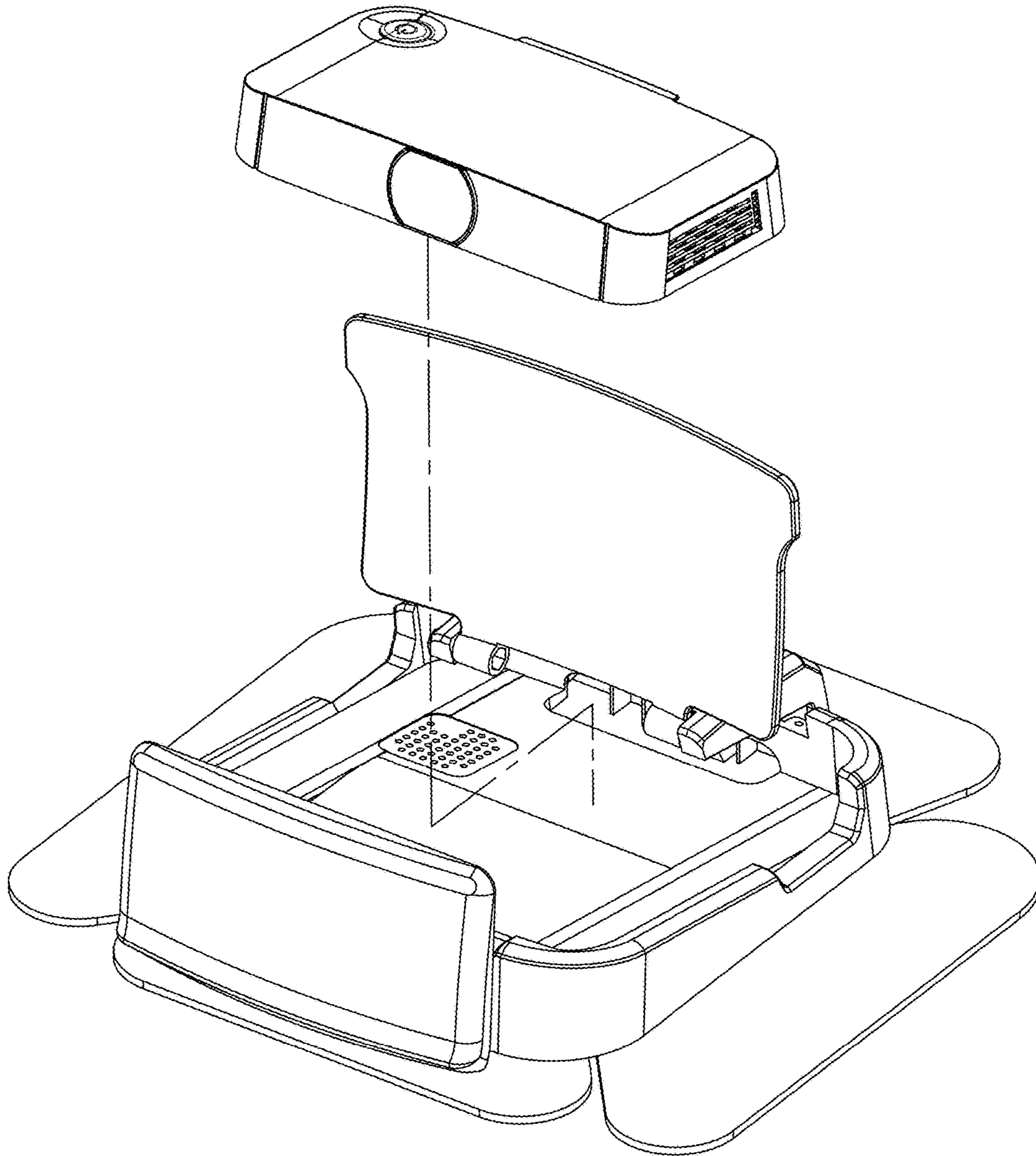


FIG. 10