



US00D796569S

(12) **United States Design Patent**
Chang et al.

(10) **Patent No.:** **US D796,569 S**
(45) **Date of Patent:** **** Sep. 5, 2017**

(54) **DIGITAL CAMERA DEVICE**
(71) Applicant: **Quanta Computer Inc.**, Taoyuan (TW)
(72) Inventors: **Chia-Yuan Chang**, Taoyuan (TW);
Ya-Chyi Chou, Taoyuan (TW);
Jung-Wen Chang, Taoyuan (TW);
Kao-Yu Hsu, Taoyuan (TW)
(73) Assignee: **QUANTA COMPUTER INC.**,
Guishan Dist., Taoyuan (TW)

D729,859 S * 5/2015 Shin D16/203
D743,465 S * 11/2015 Aglassinger D16/203
D747,755 S * 1/2016 Scalisi D16/203
D748,178 S * 1/2016 Scalisi D10/118.2
D748,179 S * 1/2016 Scalisi D10/118.2
D748,180 S * 1/2016 Scalisi D16/203
D748,709 S * 2/2016 Jeong D16/202
D752,674 S * 3/2016 Katori D16/203
D761,340 S * 7/2016 Pacurariu D16/202
D776,180 S * 1/2017 Fiedler D16/202
2014/0301729 A1* 10/2014 Okamura H04N 5/2252
396/427

(**) Term: **15 Years**

* cited by examiner

(21) Appl. No.: **29/586,821**

Primary Examiner — Philip S Hyder

(22) Filed: **Dec. 7, 2016**

Assistant Examiner — Ramzi Almatrahi

(30) **Foreign Application Priority Data**

(74) *Attorney, Agent, or Firm* — McClure, Qualey &
Rodack, LLP

Oct. 28, 2016 (TW) 105306473

(51) **LOC (10) Cl.** **16-01**

(57) **CLAIM**

(52) **U.S. Cl.**
USPC **D16/218**

The ornamental design for a digital camera device, as shown
and described.

(58) **Field of Classification Search**
USPC D16/200, 202–206, 218, 219, 242;
D10/106.2, 106.3, 106.5, 118.1; 348/143,
348/148, 151, 373–376; 396/419, 427,
396/535, 539–541
CPC G03B 17/02; G03B 19/04; G03B 17/56;
G03B 17/04; G03B 15/03; H04N 5/2251;
H04N 5/2252; H04N 5/2253; H04N
5/2254; H04N 7/181; H04N 7/183; H04N
7/18; G08B 13/1963; G08B 13/19619;
G08B 13/19632

DESCRIPTION

See application file for complete search history.

FIG. 1 is a perspective view of a digital camera device
showing our new design;
FIG. 2 is a front view thereof;
FIG. 3 is a rear view thereof;
FIG. 4 is a left side view thereof;
FIG. 5 is a right side view thereof;
FIG. 6 is a top view thereof; and,
FIG. 7 is a bottom view thereof.

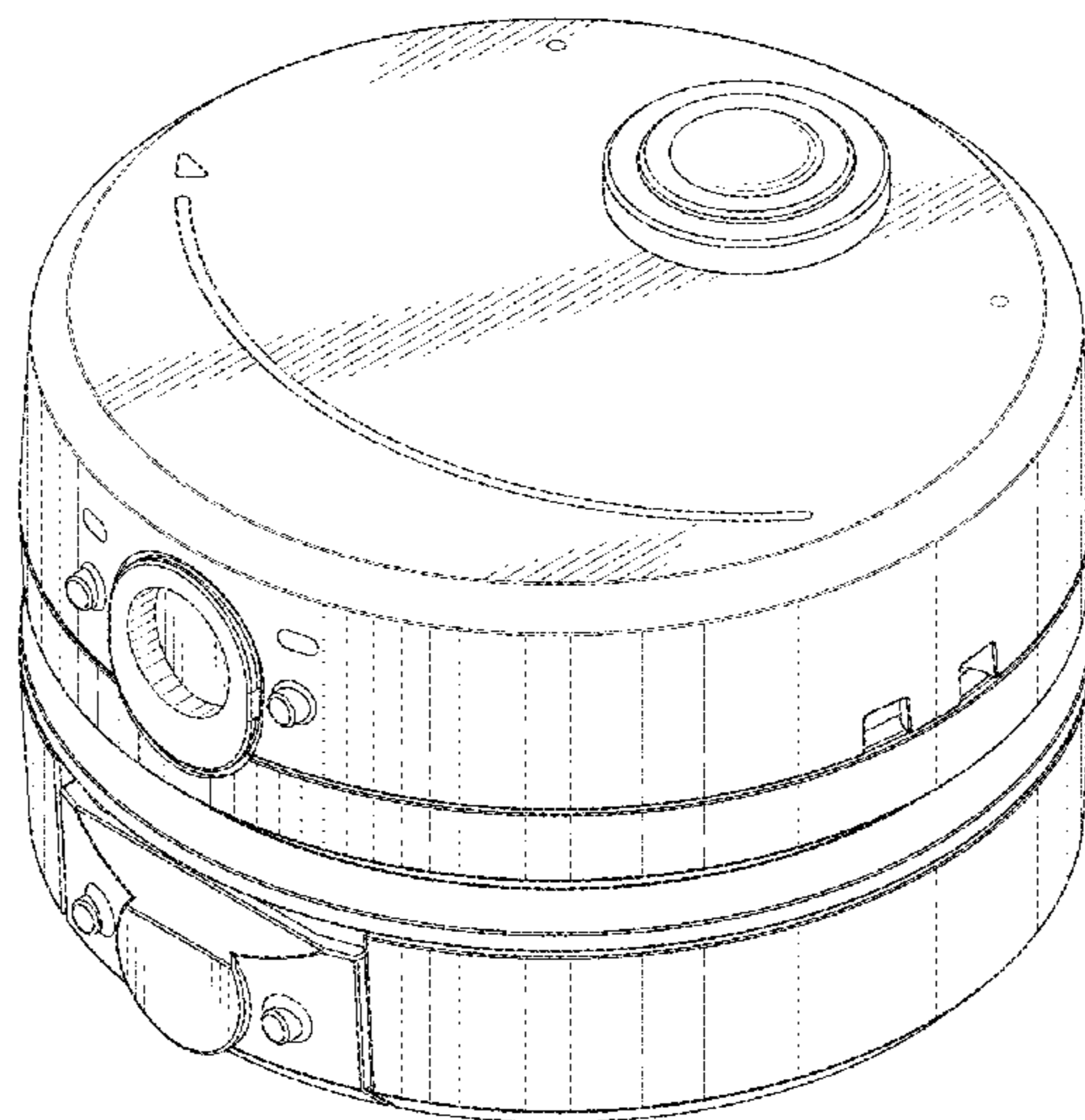
The broken lines depict portions of a digital camera device
in which the design is embodied and forms no part of the
claimed design.

(56) **References Cited**

U.S. PATENT DOCUMENTS

D422,521 S * 4/2000 Morrow D10/106.5
D679,309 S * 4/2013 Park D16/218

1 Claim, 7 Drawing Sheets



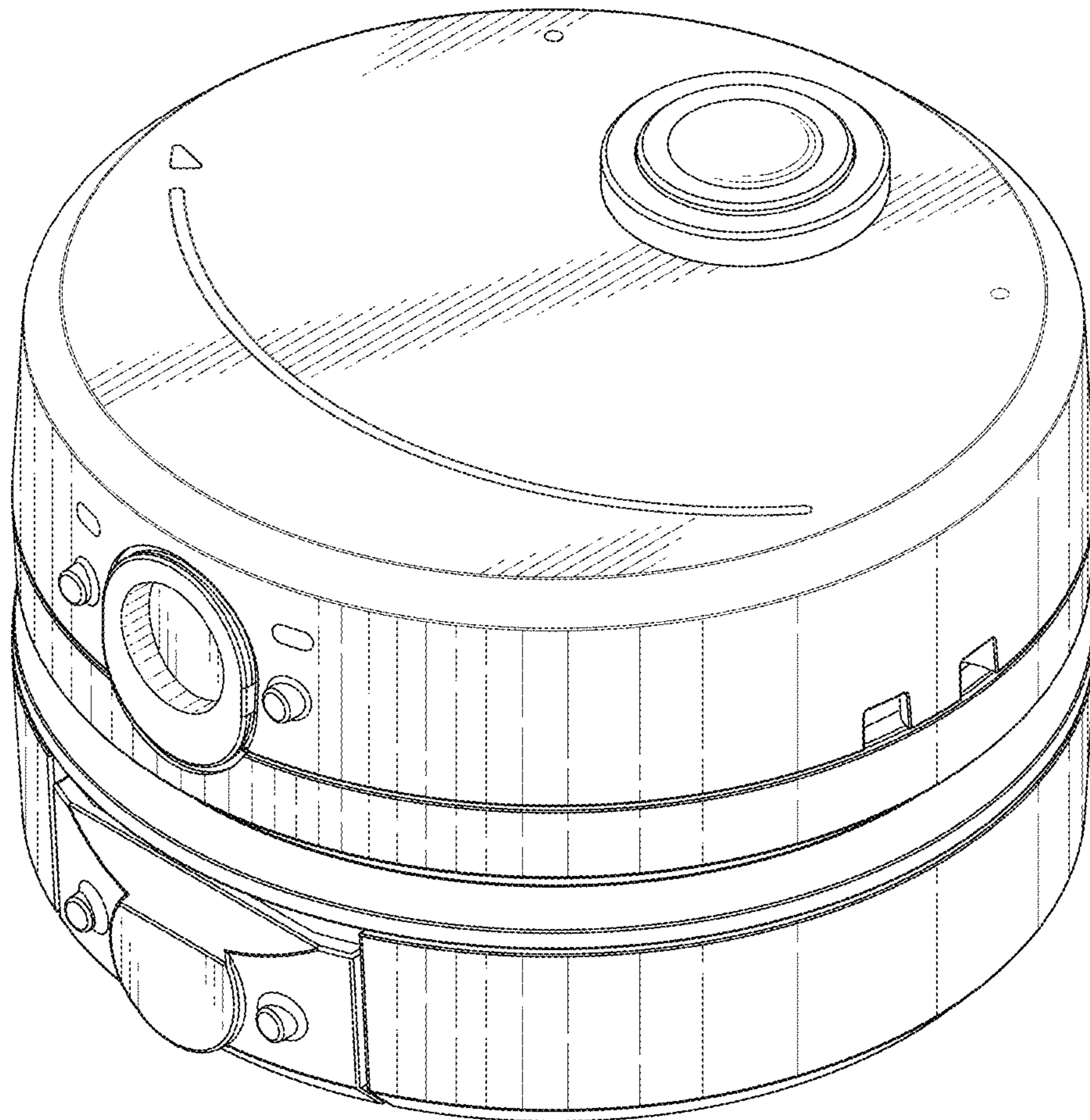


FIG. 1

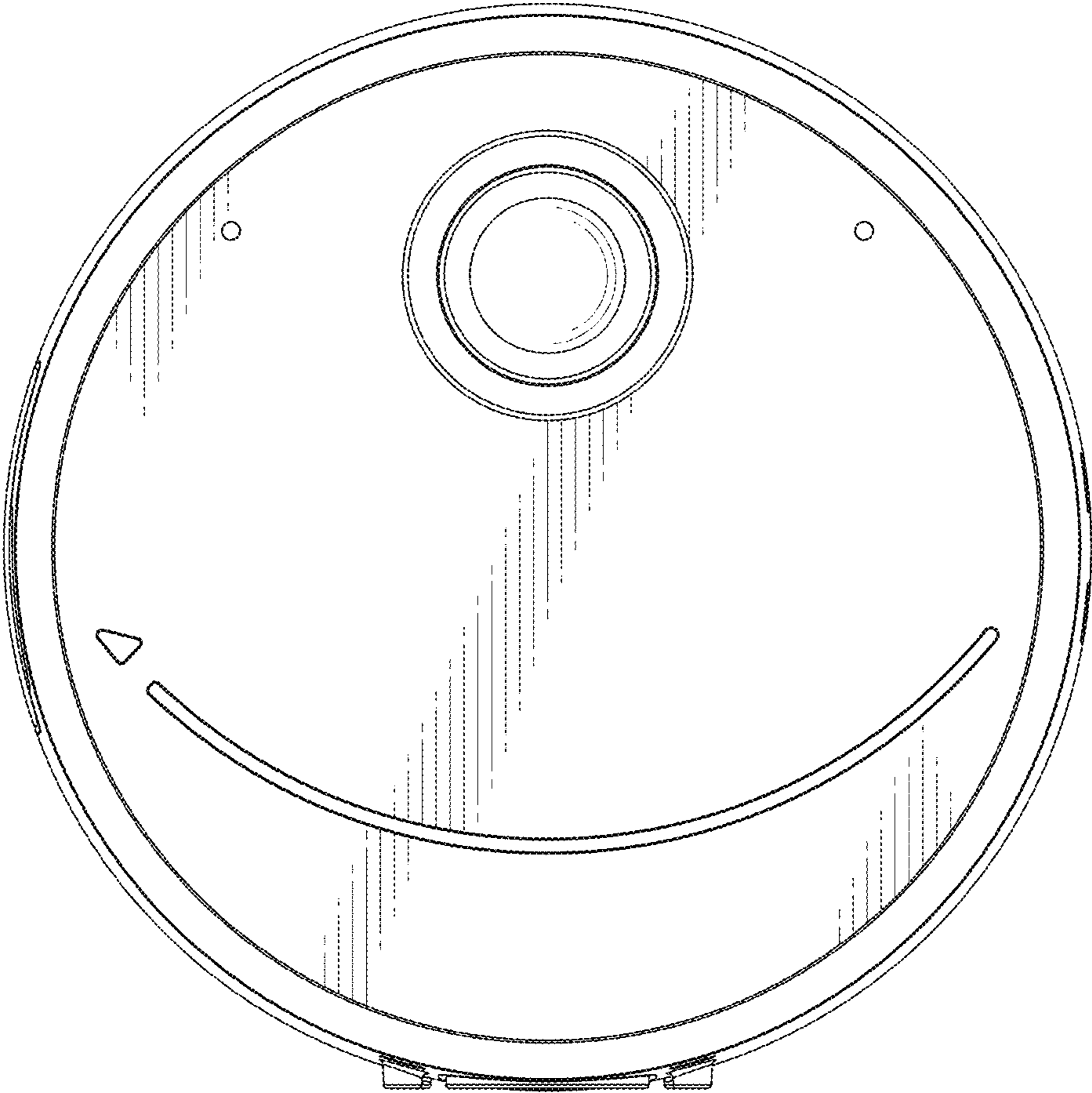


FIG. 2

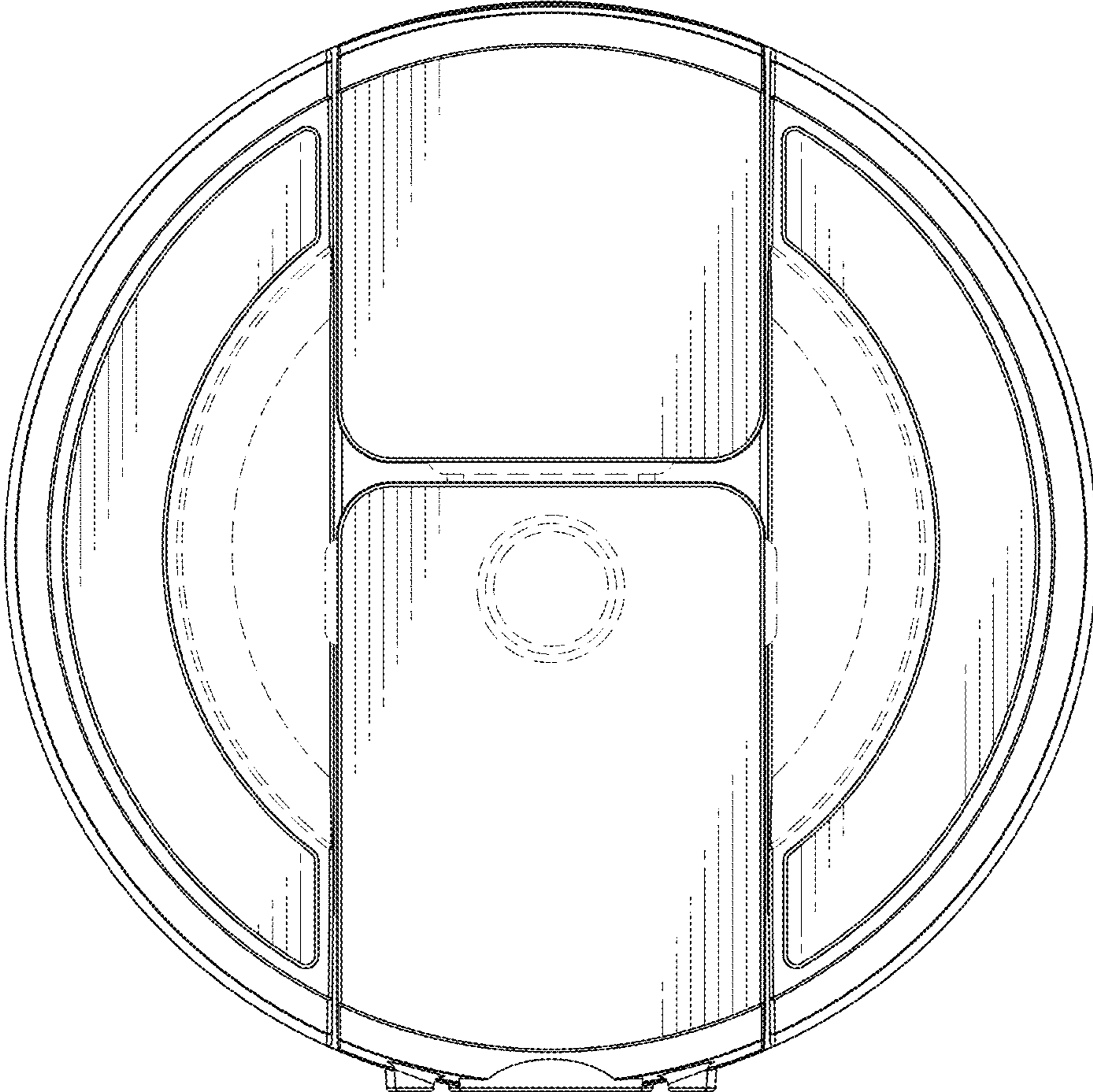


FIG. 3

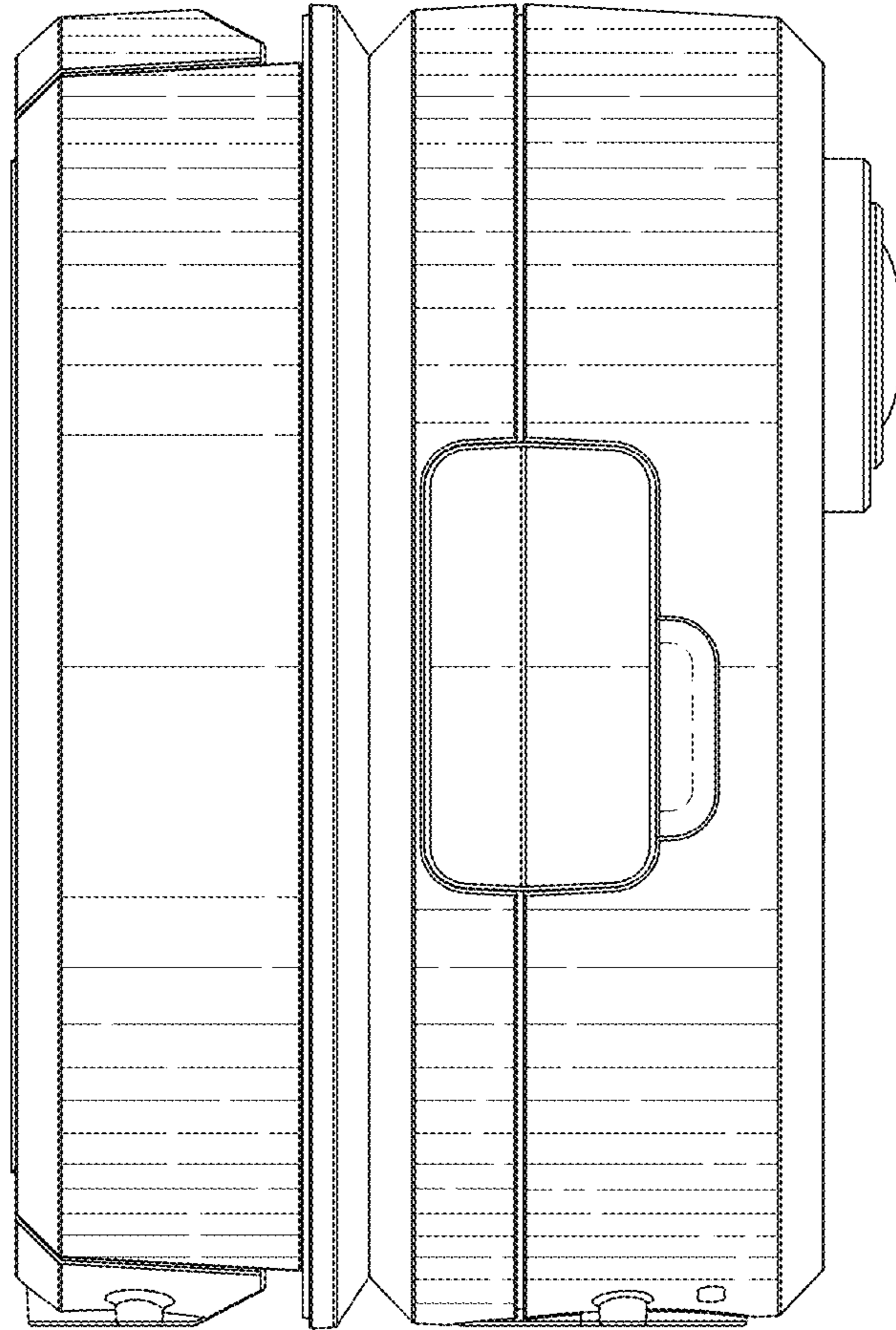


FIG. 4

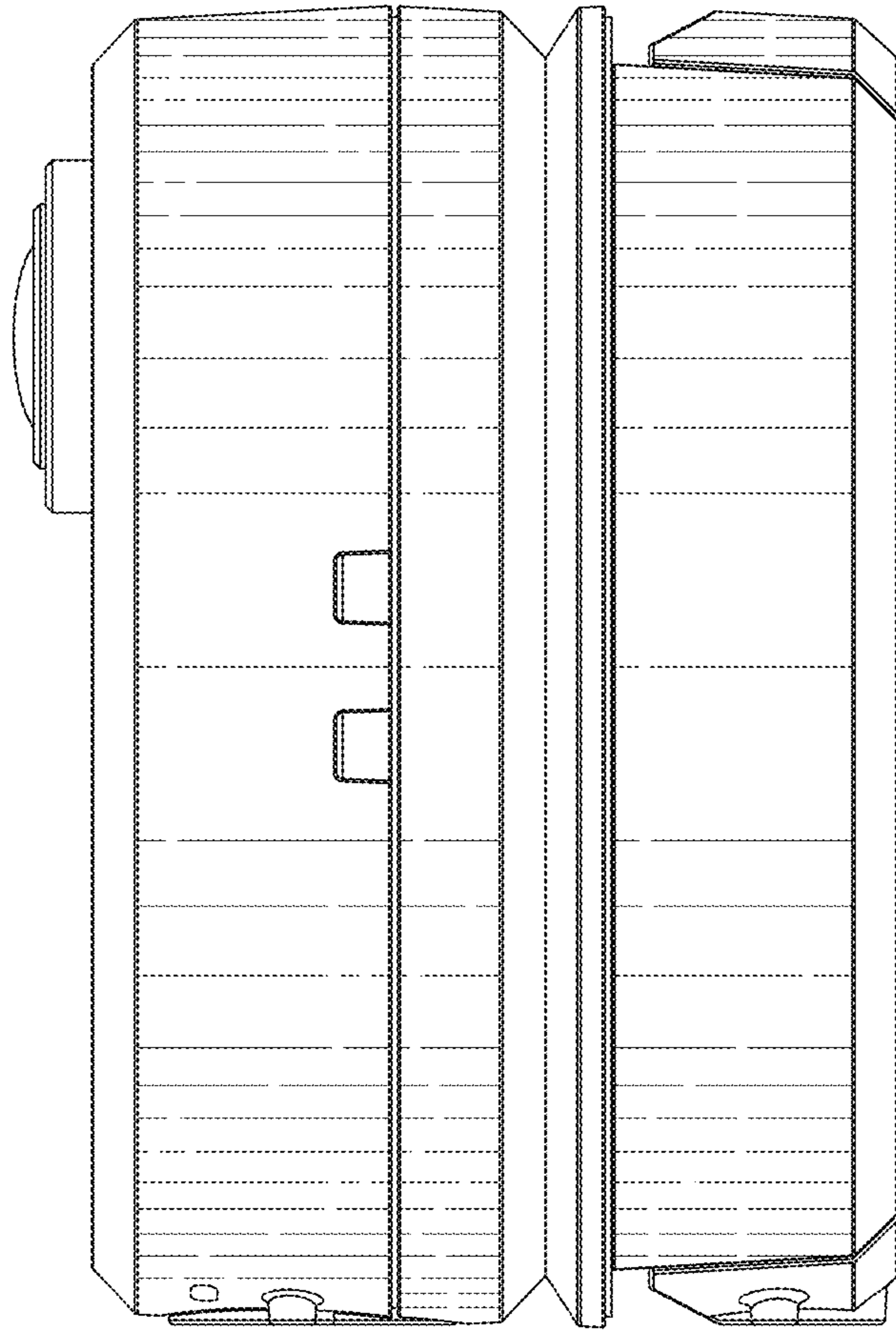


FIG. 5

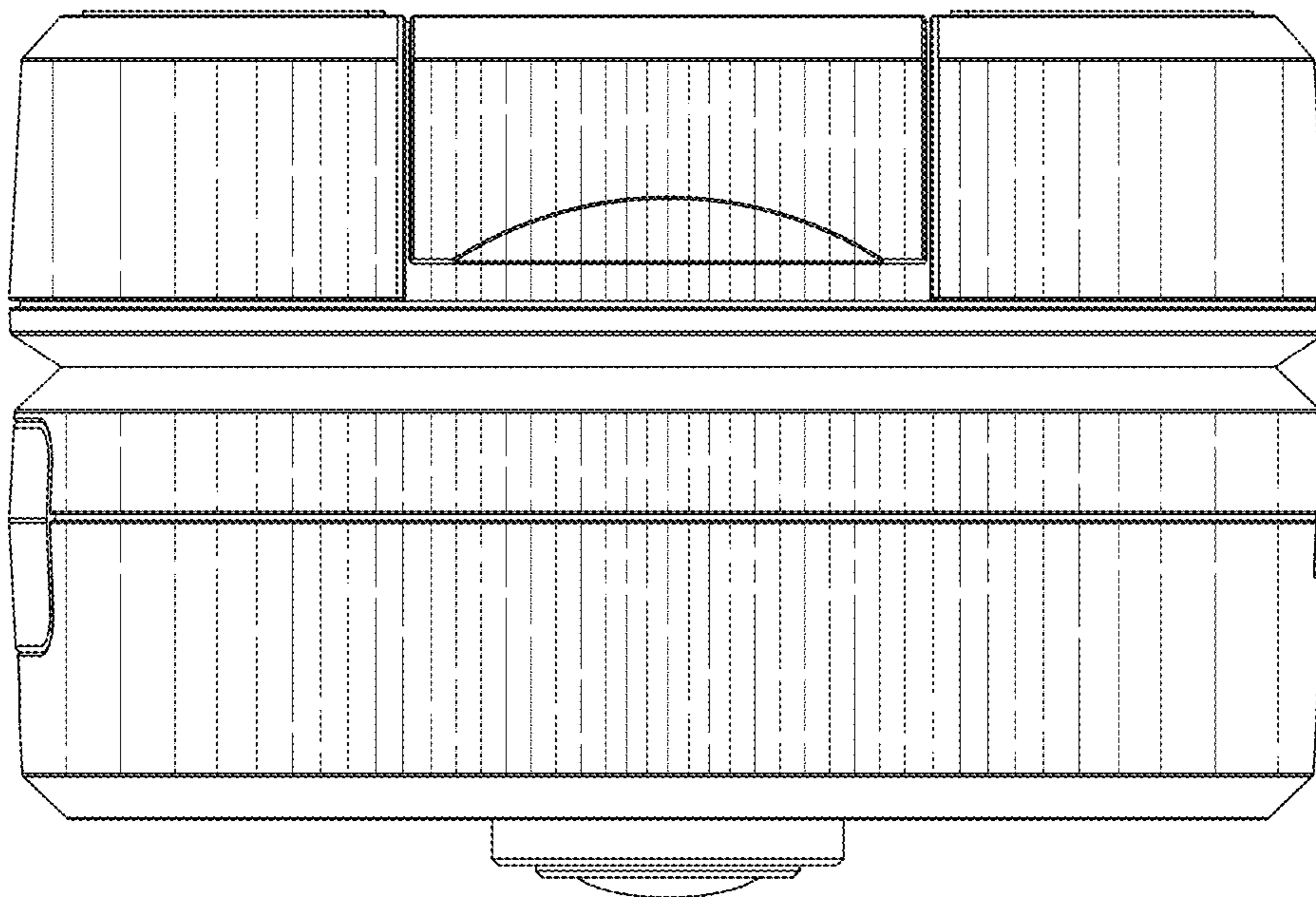


FIG. 6

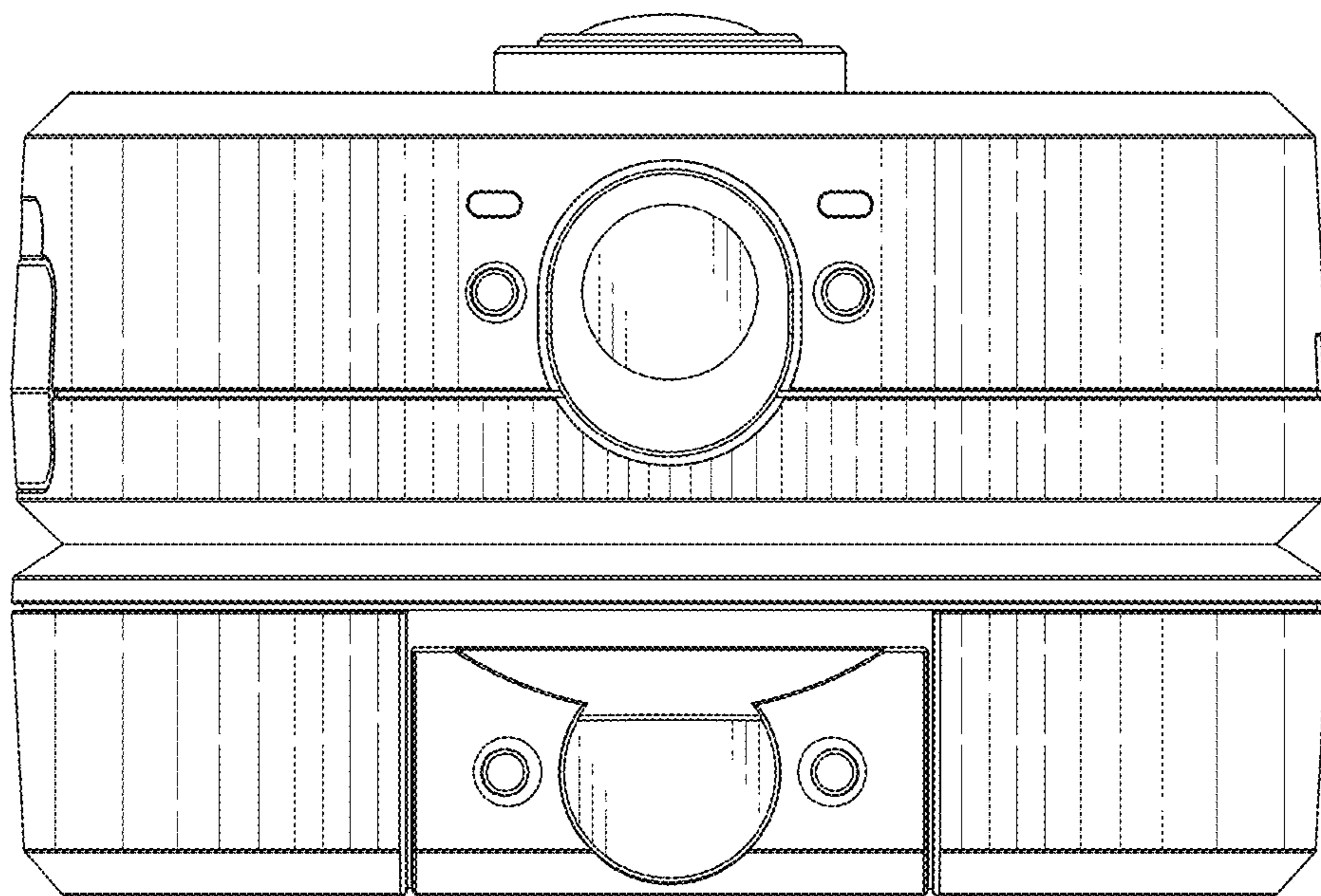


FIG. 7