



US00D796566S

(12) **United States Design Patent** (10) **Patent No.:** **US D796,566 S**
Bingleman et al. (45) **Date of Patent:** **** Sep. 5, 2017**

(54) **ENCLOSURE FOR A CAMERA**
(71) Applicant: **Avigilon Corporation**, Vancouver (CA)
(72) Inventors: **Luke William Bingleman**, Vancouver (CA); **Sudeep Mohan**, Surrey (CA); **Sergio Parise**, Vancouver (CA)
(73) Assignee: **Avigilon Corporation**, Vancouver (CA)
(**) Term: **15 Years**

(21) Appl. No.: **29/571,287**
(22) Filed: **Jul. 15, 2016**
(51) **LOC (10) Cl.** **16-01**
(52) **U.S. Cl.**
USPC **D16/203**
(58) **Field of Classification Search**
USPC D16/200, 202–206, 218, 219; 348/143, 348/148, 151, 373–376; 396/419, 427, 396/535, 539–541
CPC G03B 17/02; G03B 19/04; G03B 17/56; G03B 17/04; G03B 15/03; H04N 5/2251; H04N 5/2252; H04N 5/2253; H04N 5/2254; H04N 7/181; H04N 7/183; H04N 7/18; G08B 13/1963; G08B 13/19619; G08B 13/19632; F16M 11/04; F16M 13/00
See application file for complete search history.

(56) **References Cited**
U.S. PATENT DOCUMENTS
D499,125 S * 11/2004 Adachi D16/203
D639,842 S * 6/2011 Zeinoun D16/203
D650,410 S * 12/2011 Helaoui D16/203

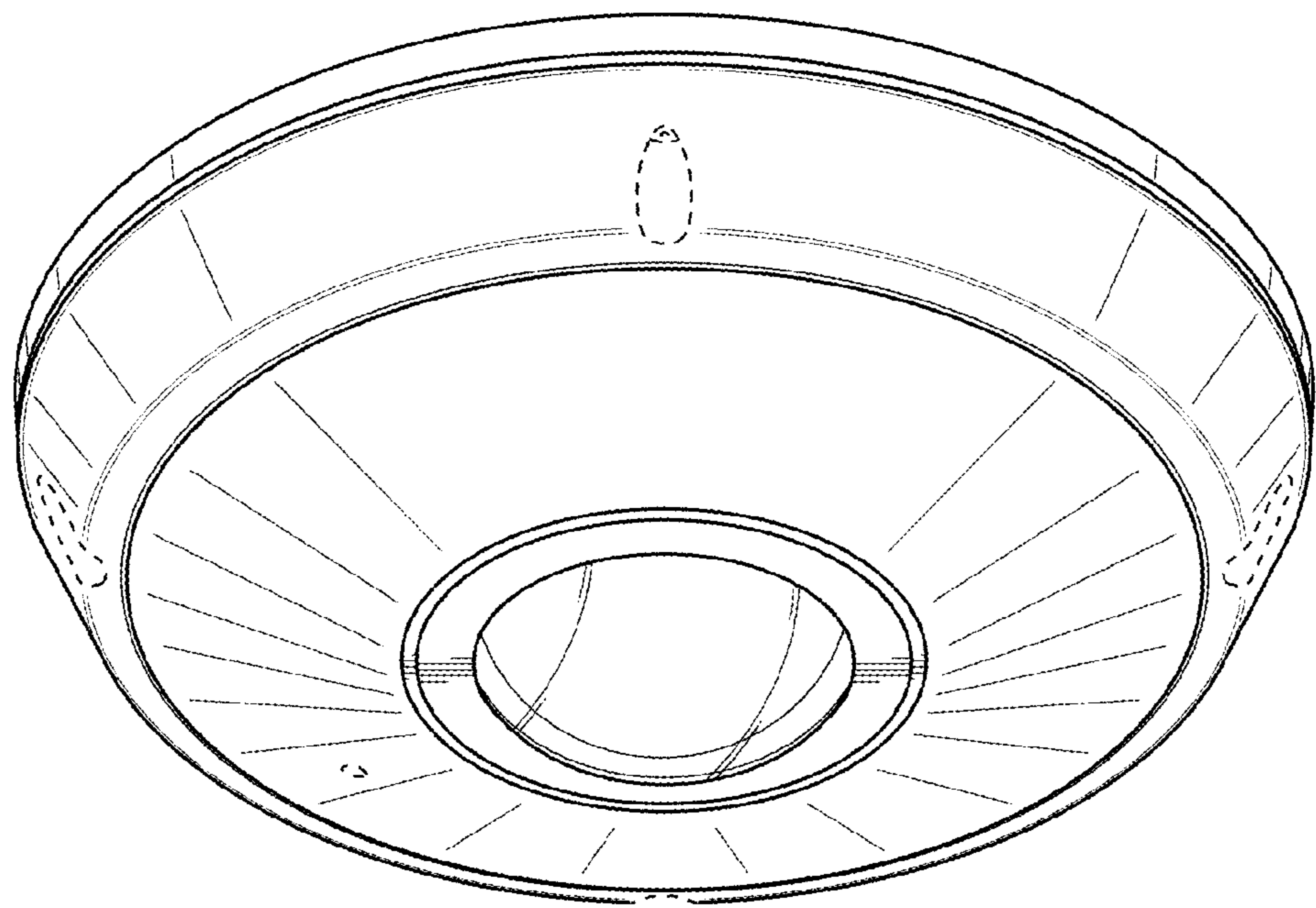
D688,720 S * 8/2013 Yilin D16/203
D694,305 S * 11/2013 Katori D16/203
D694,306 S * 11/2013 Katori D16/203
D729,859 S * 5/2015 Shin D16/203
D740,870 S * 10/2015 Park D16/203
D743,465 S * 11/2015 Aglassinger D16/203
D749,660 S * 2/2016 Yu D16/203
D752,674 S * 3/2016 Katori D16/203
2012/0106942 A1 * 5/2012 Mukai G03B 37/00 396/427
2014/0301729 A1 * 10/2014 Okamura H04N 5/2252 396/427

* cited by examiner
Primary Examiner — Philip S Hyder
Assistant Examiner — Ramzi Almatrahi
(74) *Attorney, Agent, or Firm* — Klarquist Sparkman, LLP

(57) **CLAIM**
We claim the ornamental design for an enclosure for a camera, as shown and described.

DESCRIPTION
FIG. 1 is a bottom front perspective view of an enclosure for a camera;
FIG. 2 is a bottom plan view of the enclosure for a camera;
FIG. 3 is a top plan view of the enclosure for a camera;
FIG. 4 is a front elevation view of the enclosure for a camera;
FIG. 5 is a rear elevation view of the enclosure for a camera;
FIG. 6 is a left side view of the enclosure for a camera; and,
FIG. 7 is a right side view of the enclosure for a camera.
The broken lines depict portions of the enclosure for a camera in which the design is embodied that form no part of the claimed design.

1 Claim, 5 Drawing Sheets



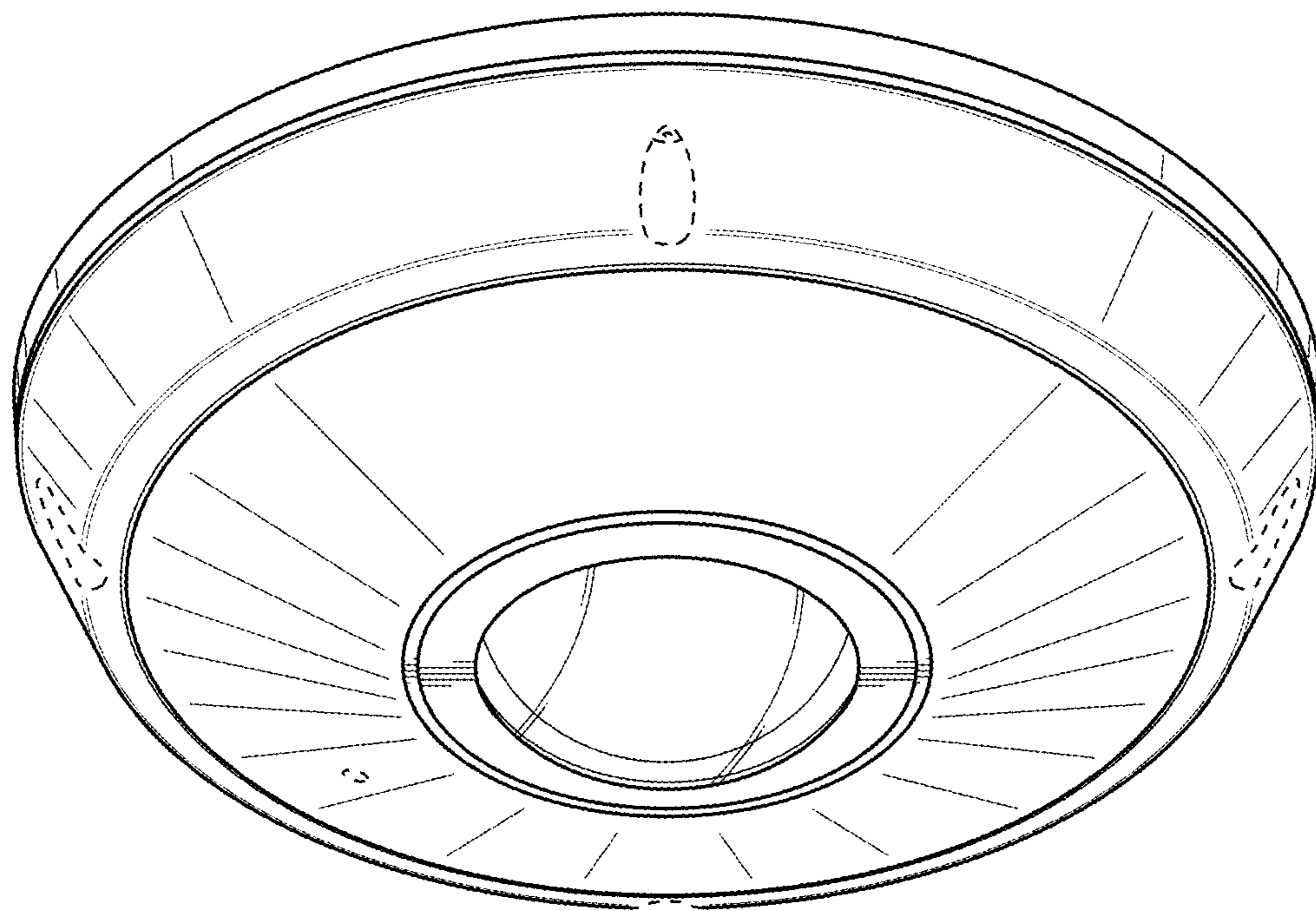


FIG. 1

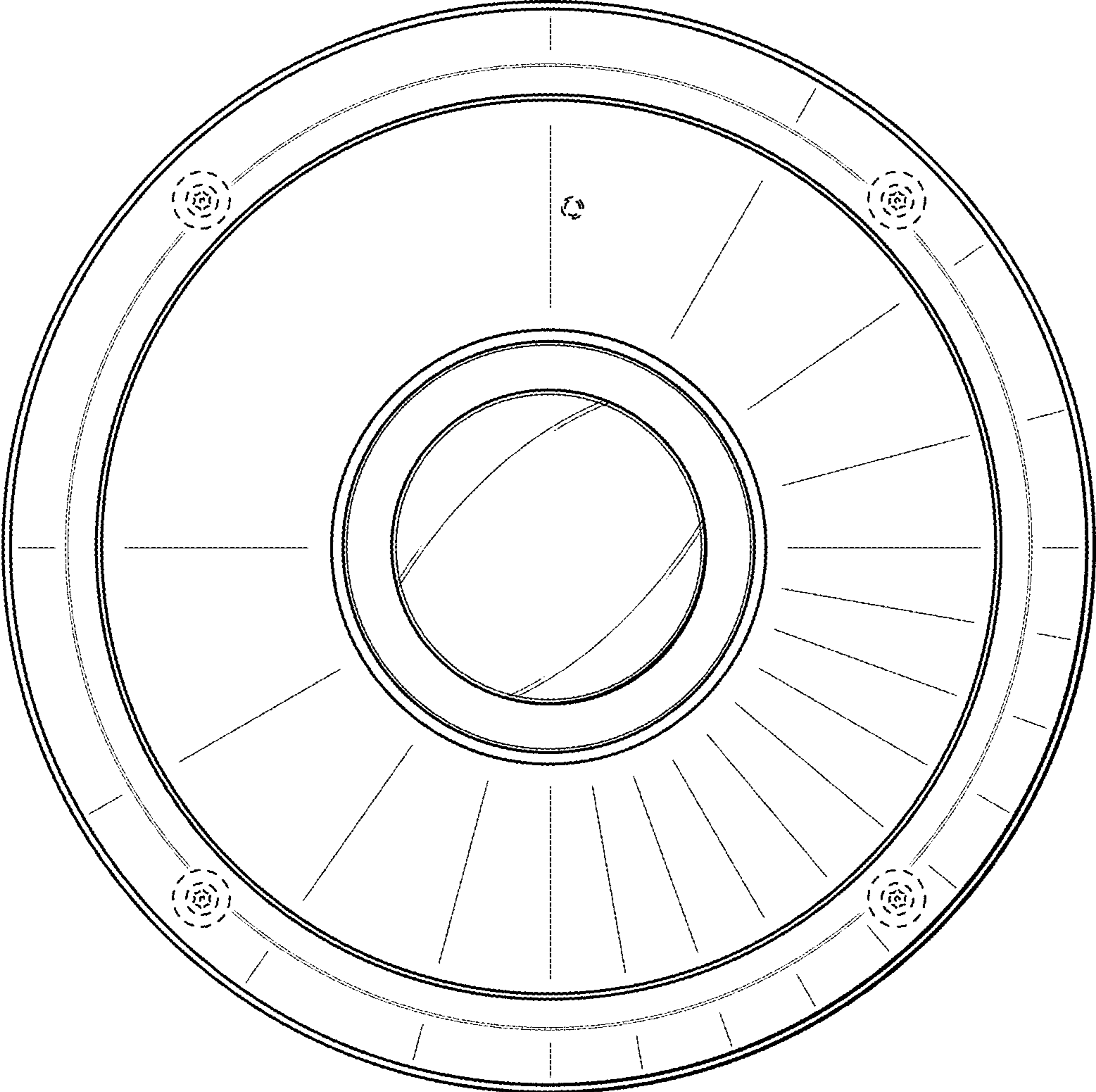


FIG. 2

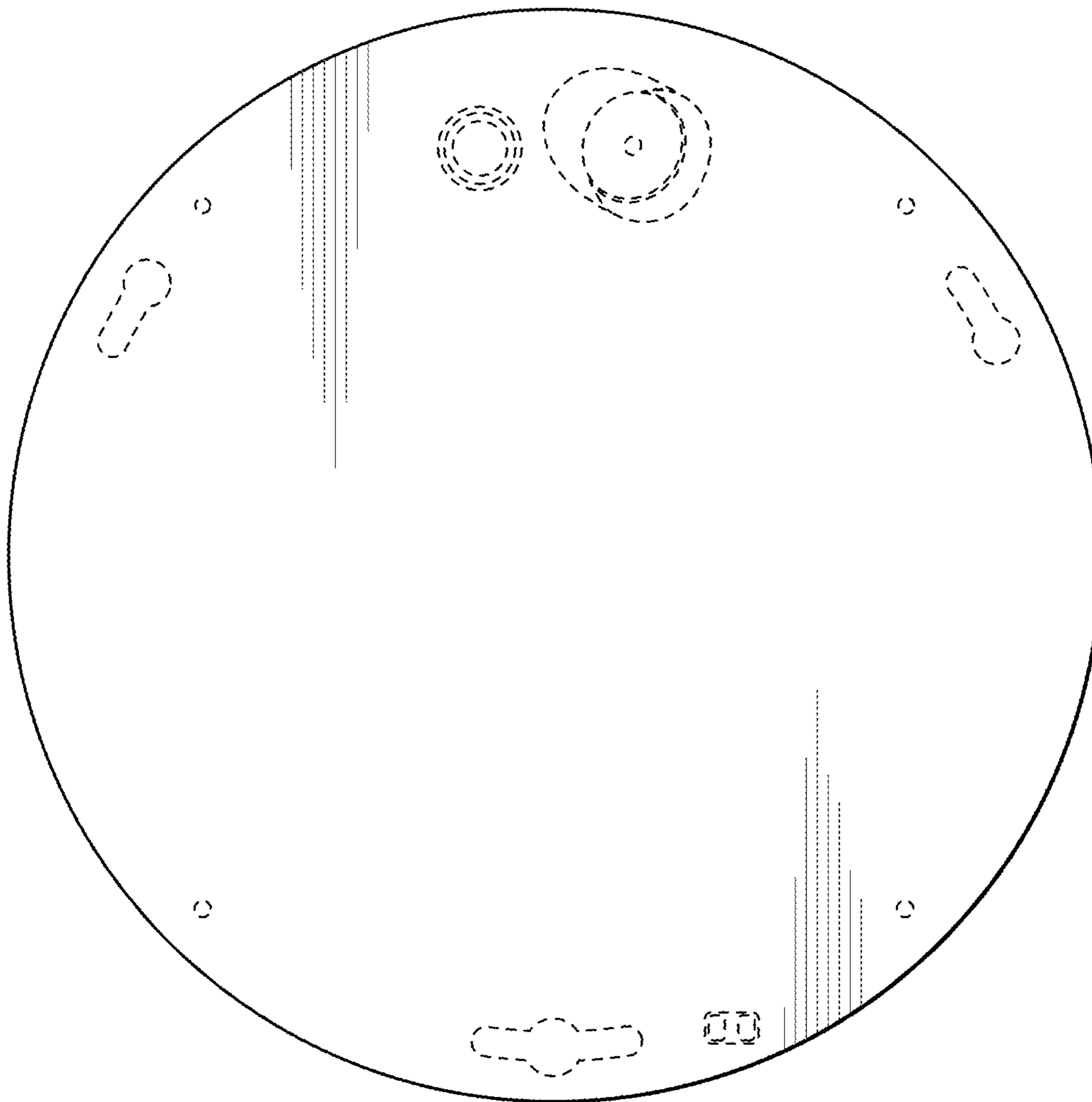


FIG. 3

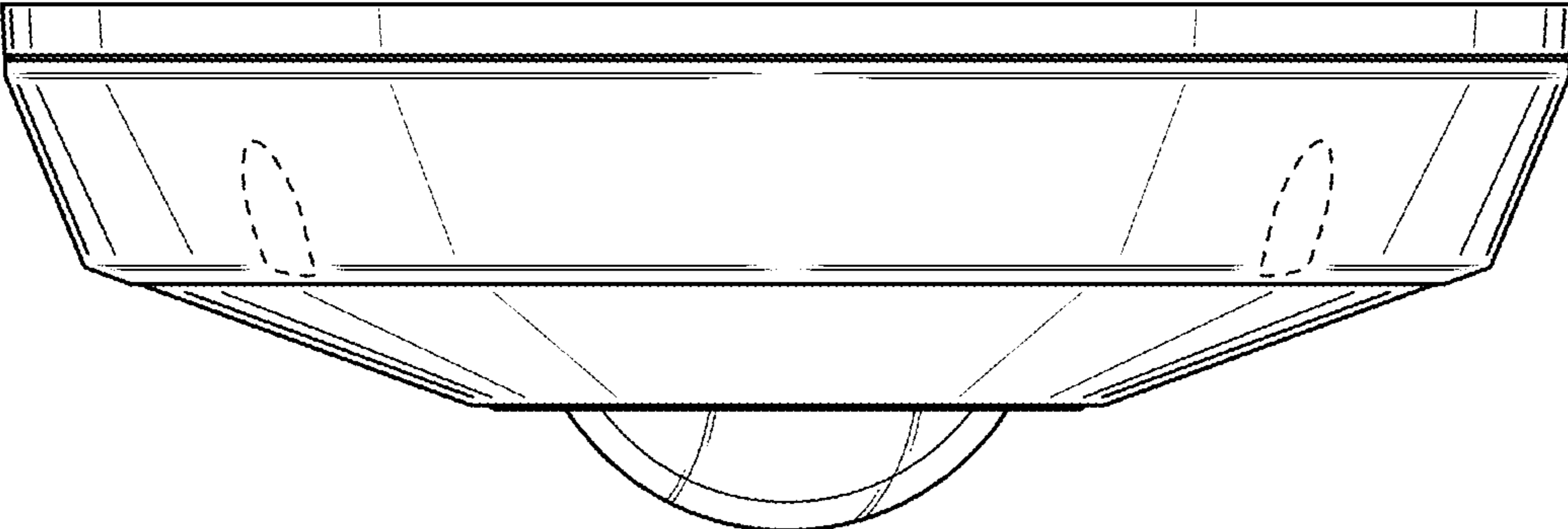


FIG. 4

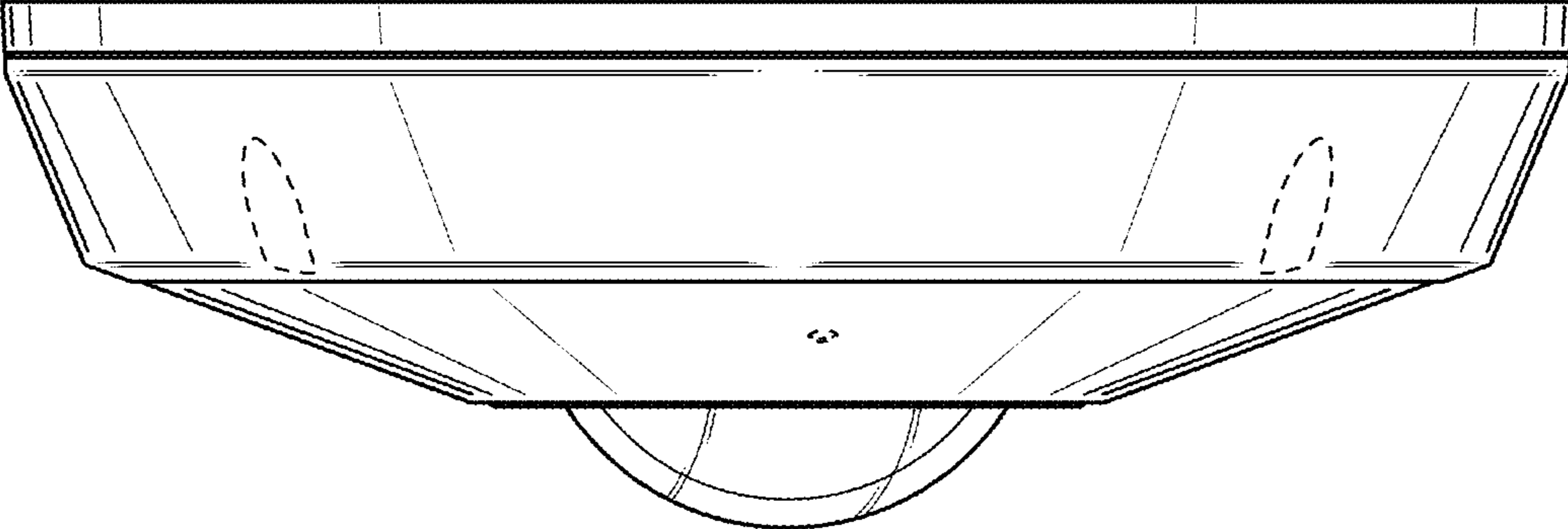


FIG. 5

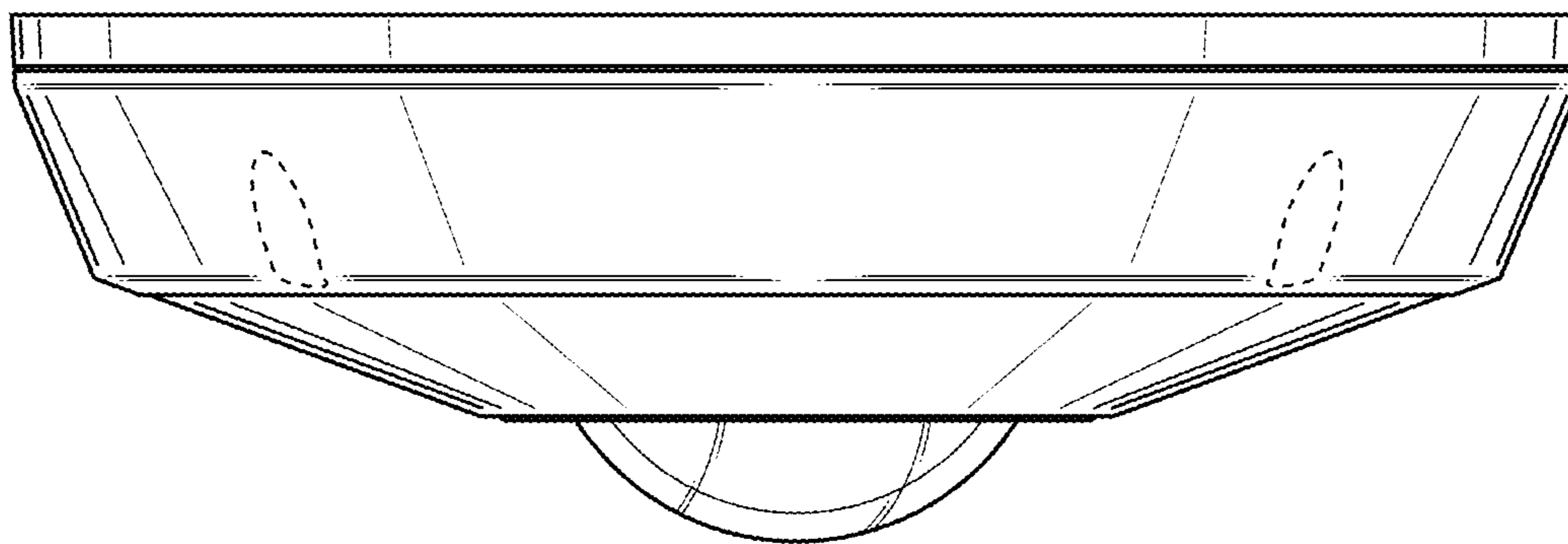


FIG. 6

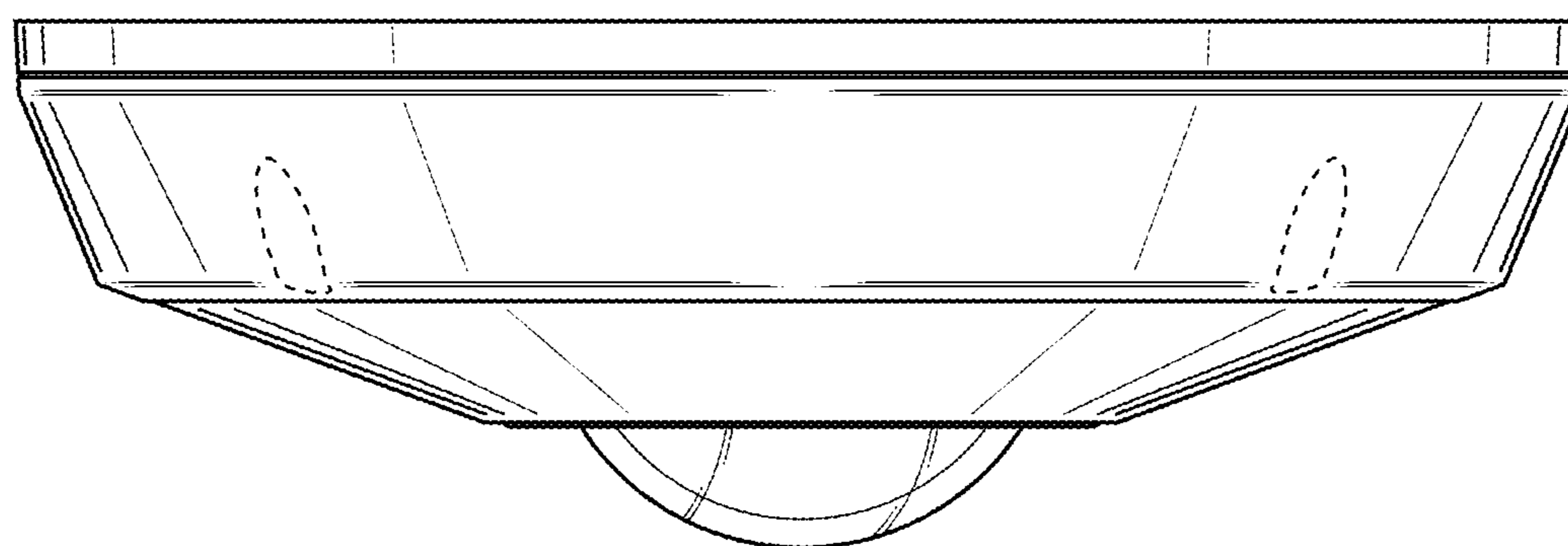


FIG. 7