



US00D796565S

(12) **United States Design Patent** (10) **Patent No.:** **US D796,565 S**
Lagerstedt (45) **Date of Patent:** **** Sep. 5, 2017**

- (54) **CAMERA**
- (71) Applicant: **C & A MARKETING, INC.**,
Ridgefield Park, NJ (US)
- (72) Inventor: **Jonas Lagerstedt**, San Francisco, CA
(US)
- (73) Assignee: **C & A Marketing, Inc.**, Edison, NJ
(US)
- (**) Term: **15 Years**
- (21) Appl. No.: **29/561,527**
- (22) Filed: **Apr. 17, 2016**
- (51) **LOC (10) Cl.** **16-01**
- (52) **U.S. Cl.**
USPC **D16/202**
- (58) **Field of Classification Search**
USPC D16/200, 202-206, 208-209, 212, 218,
D16/219; 348/373-376; 396/448, 535,
396/539-541
CPC G03B 15/03; G03B 17/02; G03B 17/04;
G03B 17/56; G03B 19/04; H04N 5/2251;
H04N 5/2252; H04N 5/2253; H04N
5/2254; H04N 2101/00
See application file for complete search history.

- (56) **References Cited**
U.S. PATENT DOCUMENTS
7,646,426 B2 * 1/2010 Saiki G06F 1/1626
348/373
D668,281 S * 10/2012 Nakamura D16/202
D683,781 S * 6/2013 Imai D16/202

D684,204 S	6/2013	Uemachi	
D689,535 S *	9/2013	Nojima	D16/202
D695,329 S *	12/2013	Fujita	D16/202
D695,805 S *	12/2013	Sakai	D16/202
D695,808 S *	12/2013	Takahashi	D16/202
D702,748 S *	4/2014	Muraki	D16/202
D707,742 S *	6/2014	Imamizu	D16/202
D717,353 S *	11/2014	Kobayashi	D16/202
D721,118 S *	1/2015	Chai	D16/209
2002/0041765 A1 *	4/2002	Onda	G03B 17/02 396/538
2011/0181771 A1 *	7/2011	Hazama	G03B 15/05 348/371

* cited by examiner

Primary Examiner — Philip S Hyder
Assistant Examiner — Ramzi Almatrahi
(74) *Attorney, Agent, or Firm* — Weiss & Arons LLP; Avi
Goldenberg, Esq.

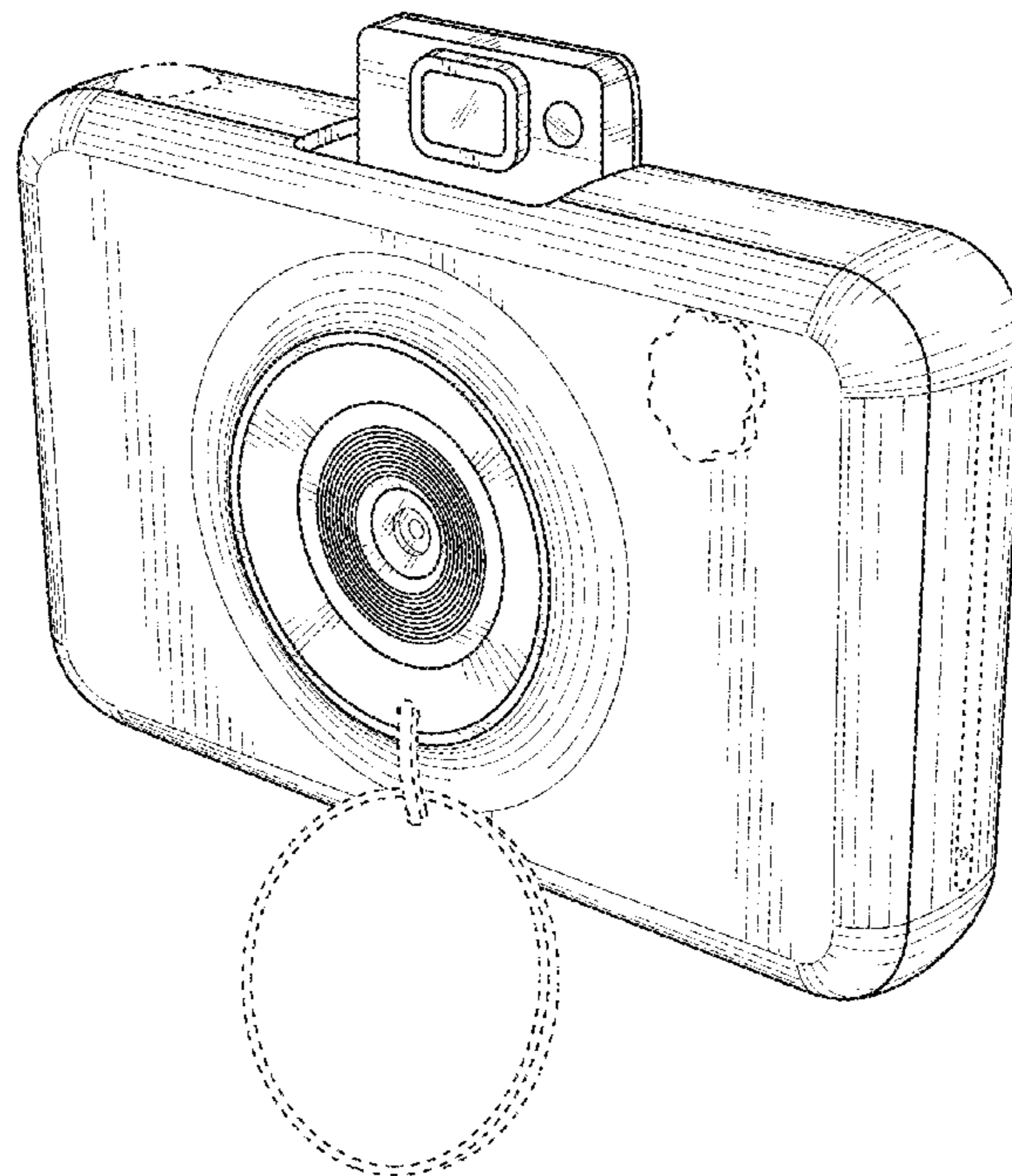
(57) **CLAIM**

I claim the ornamental design for a camera, as shown and described.

DESCRIPTION

FIG. 1 is a top, front and right side perspective view of a camera showing my new design;
FIG. 2 is a right side elevational view thereof;
FIG. 3 is a left side elevational view thereof;
FIG. 4 is a front elevational view thereof;
FIG. 5 is a rear elevational view thereof;
FIG. 6 is a top plan view thereof; and,
FIG. 7 is a bottom plan view thereof.
The broken lines depict portions of the camera in which the design is embodied that form no part of the claimed design.

1 Claim, 5 Drawing Sheets



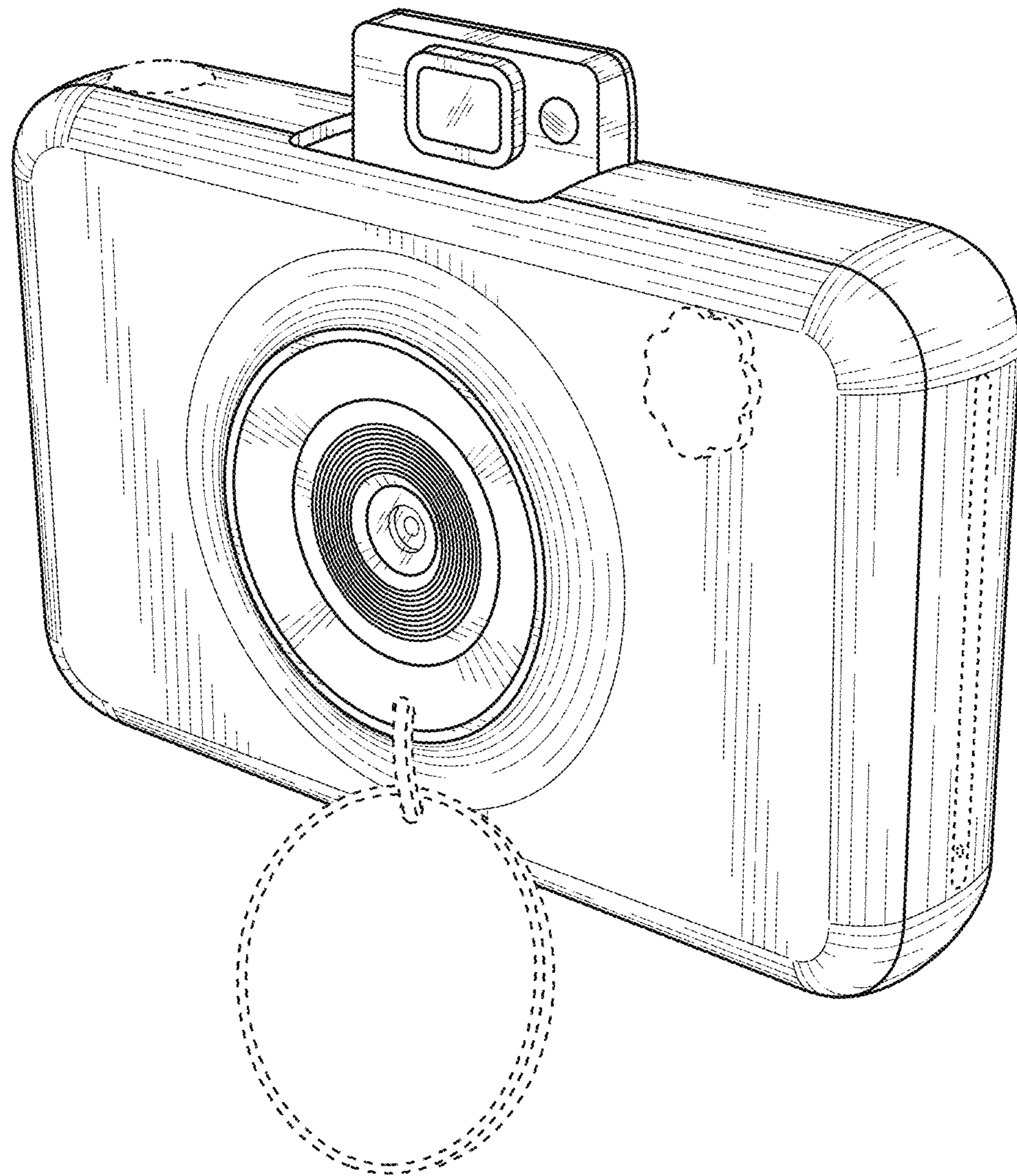


FIG. 1

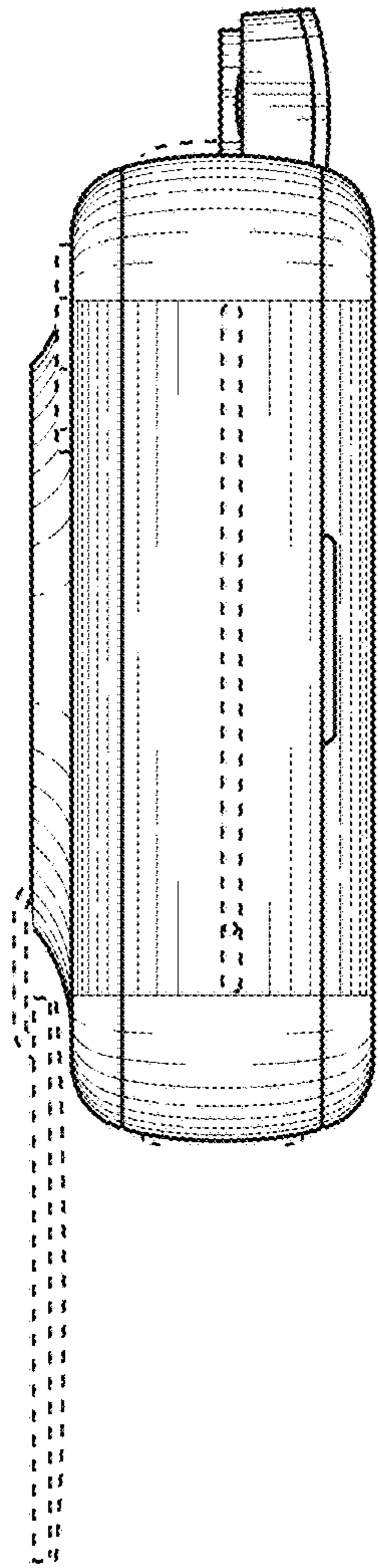


FIG. 2

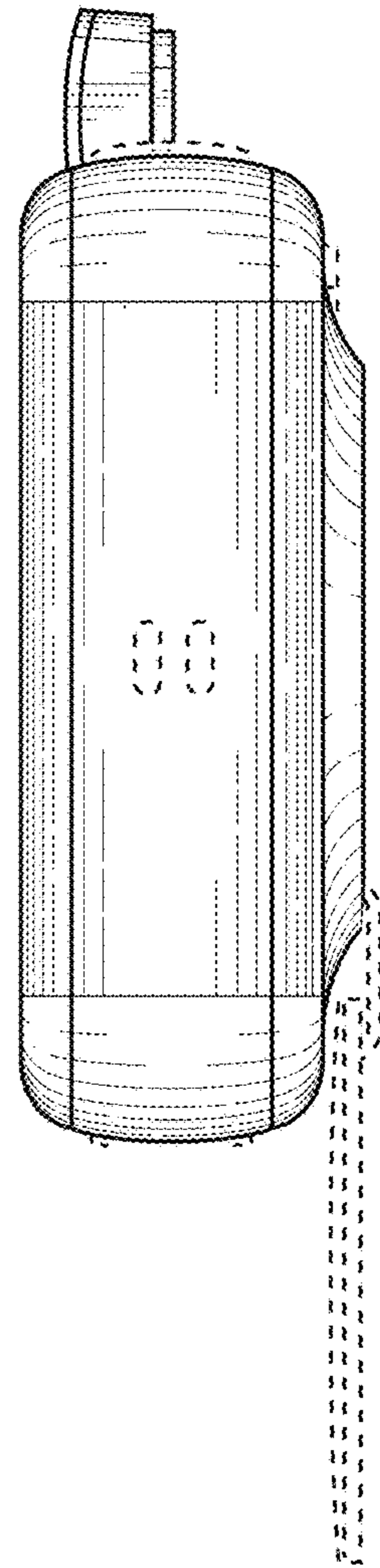


FIG. 3

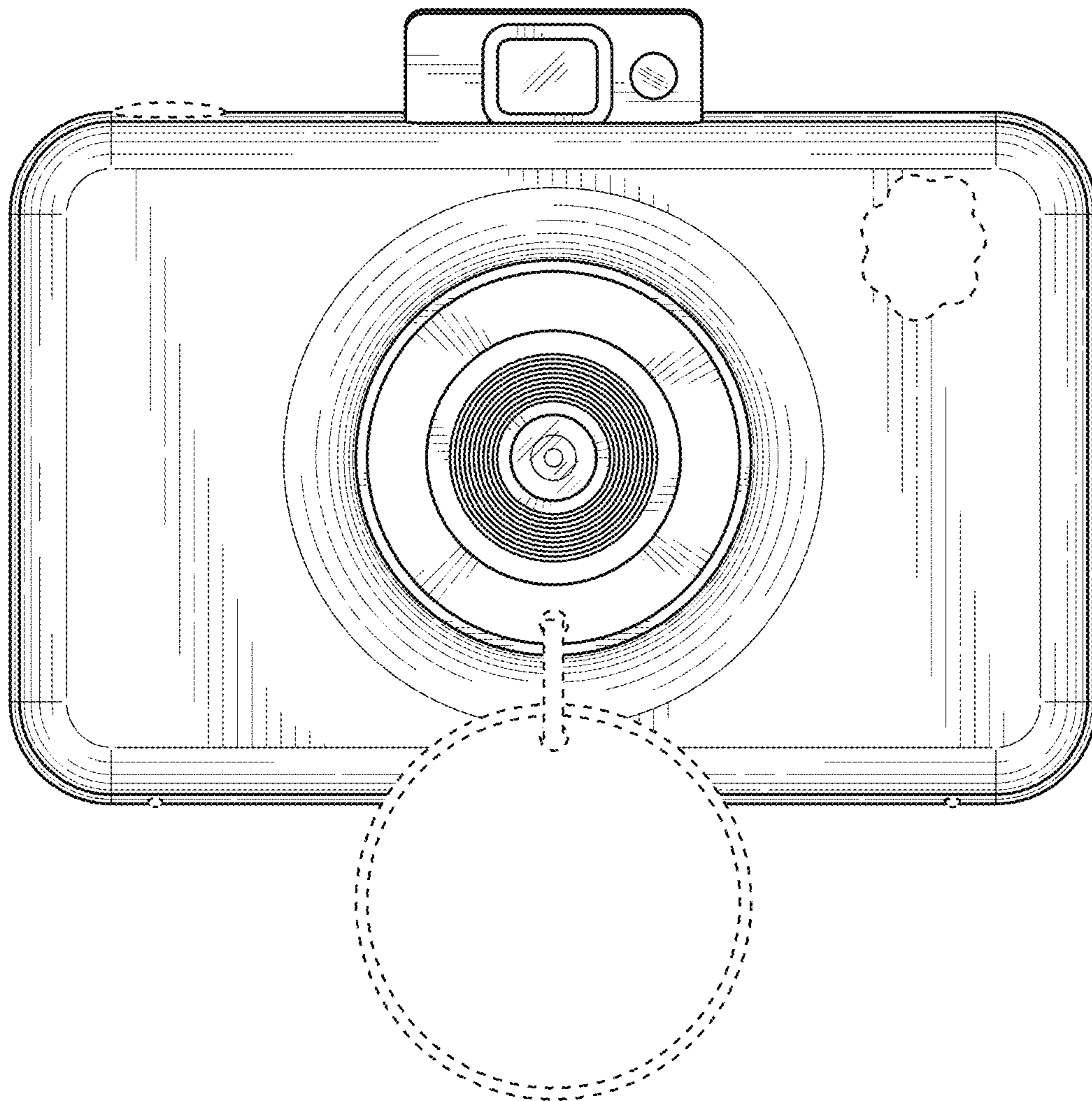


FIG. 4

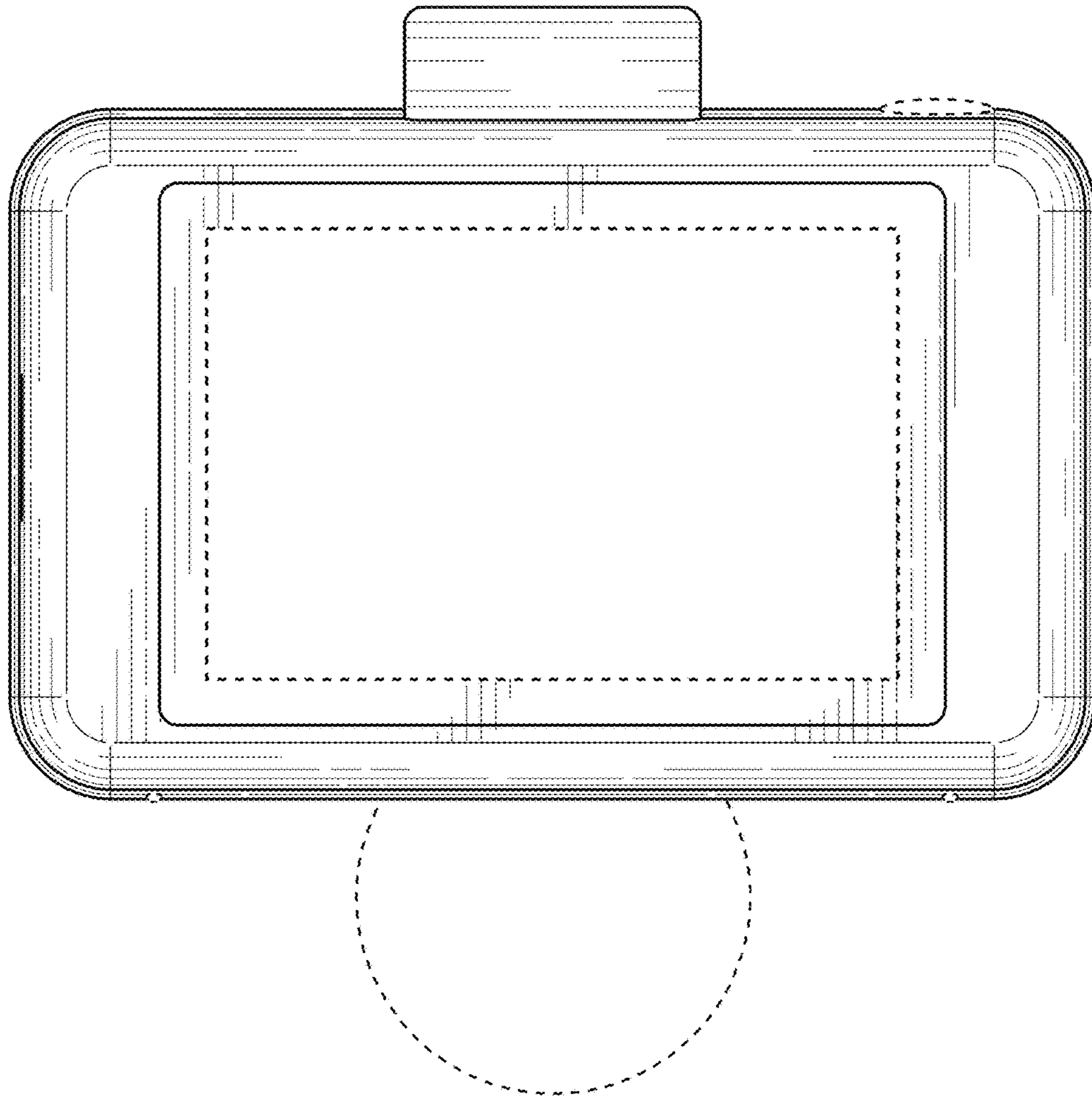


FIG. 5

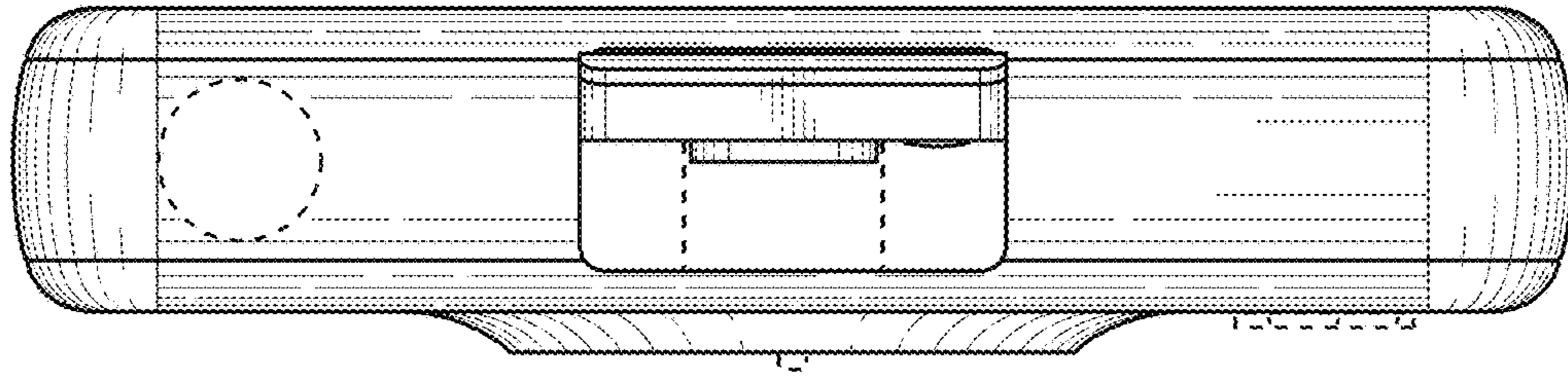


FIG. 6

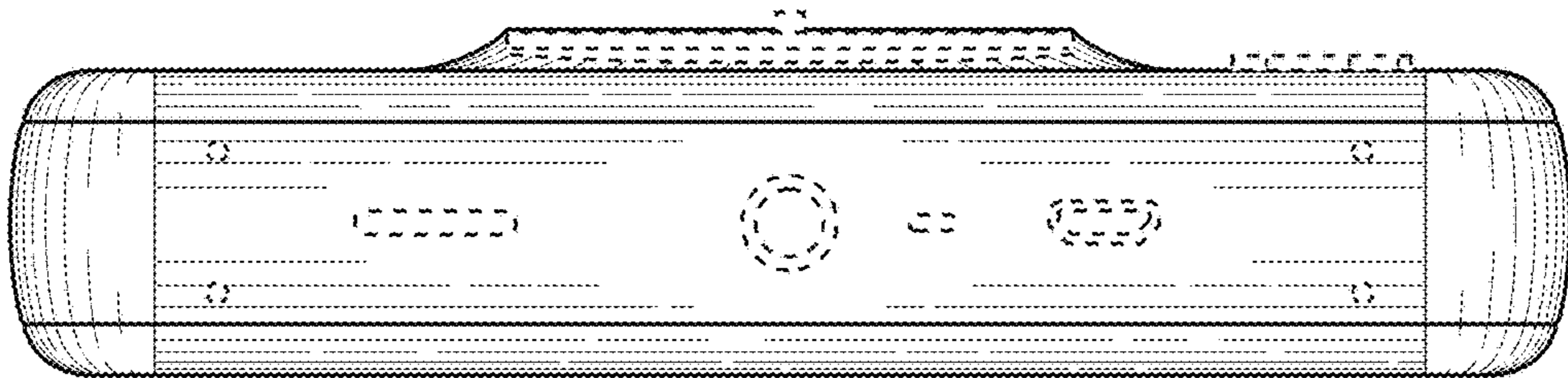


FIG. 7