



US00D796562S

(12) **United States Design Patent** (10) **Patent No.:** **US D796,562 S**
Iu (45) **Date of Patent:** **** Sep. 5, 2017**

(54) **PLASMA OUTLET LINER**
(71) Applicant: **Applied Materials, Inc.**, Santa Clara, CA (US)
(72) Inventor: **Dongming Iu**, Union City, CA (US)
(73) Assignee: **APPLIED MATERIALS, INC.**, Santa Clara, CA (US)

(**) Term: **15 Years**

(21) Appl. No.: **29/560,798**

(22) Filed: **Apr. 11, 2016**

(51) **LOC (10) Cl.** **15-09**

(52) **U.S. Cl.**
USPC **D15/138**

(58) **Field of Classification Search**
USPC D9/415, 418, 428, 432, 454, 748, 749, D9/750, 751, 757; D10/105, 106.2, D10/106.5, 106.6, 106.8, 114.8; D13/107, 108, 110, 118, 123, 133, 134, D13/137.2, 137.3, 139.1, 139.2, 146, 147, D13/148, 149, 150, 151, 152, 154, 156, D13/158, 159, 162, 173, 179, 184, 199; D15/138; D21/464; D26/26, 85; D28/8
CPC H01J 37/32834; H01J 37/32788; H01J 37/32798; H01J 37/32623; H01J 37/32431; H01J 37/32477; H01J 37/321; H01J 37/32082; H01J 37/3266; H01J 49/0495; F16H 57/04; C23C 16/45525; C23C 16/45574; C23C 16/4409; C23C 16/4557; F02D 9/12; B01F 3/04262
See application file for complete search history.

(56) **References Cited**

U.S. PATENT DOCUMENTS

4,657,619 A * 4/1987 O'Donnell H01J 37/3266
156/345.46
D557,226 S * 12/2007 Uchino D13/182
D610,447 S * 2/2010 Seum D9/418

D646,417 S * 10/2011 Wauters D26/63
D658,693 S * 5/2012 Suzuki D15/138
D666,349 S * 8/2012 Sprengers D26/63
D668,140 S * 10/2012 Collins D9/423
D668,533 S * 10/2012 Collins D9/423
8,297,591 B2 10/2012 Matsumoto et al.
8,377,213 B2 2/2013 Balasubramanyam et al.
D725,163 S * 3/2015 Ackley D15/138

(Continued)

OTHER PUBLICATIONS

Build Your Own DIY Speakers, posted at Worldcombinehere.blogspot.com, posted on Dec. 2015, [online], [site visited Apr. 13, 2017]. Available from Internet, <<http://worldcombinehere.blogspot.com/2015/12/build-your-own-diy-speakers-out-of.html>>.*

(Continued)

Primary Examiner — Thomas Johannes

Assistant Examiner — Catherine Ho

(74) *Attorney, Agent, or Firm* — Patterson + Sheridan LLP

(57) **CLAIM**

The ornamental design for a plasma outlet liner, as shown and described.

DESCRIPTION

FIG. 1 is an isometric top view of a plasma outlet liner showing my new design.

FIG. 2 is an isometric bottom view thereof.

FIG. 3 is a top plan view thereof.

FIG. 4 is a side elevational view thereof, the opposite side elevational view being a mirror image.

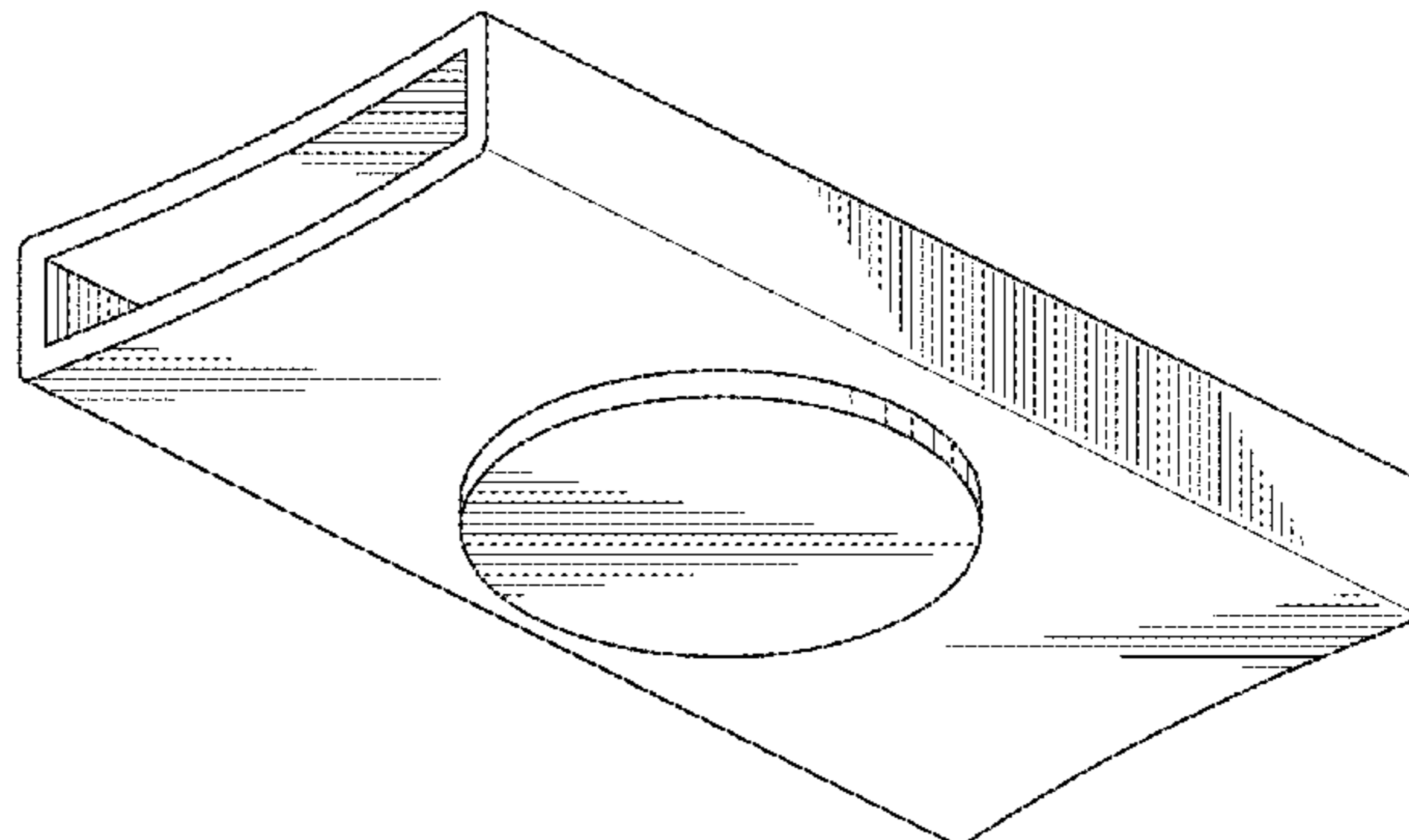
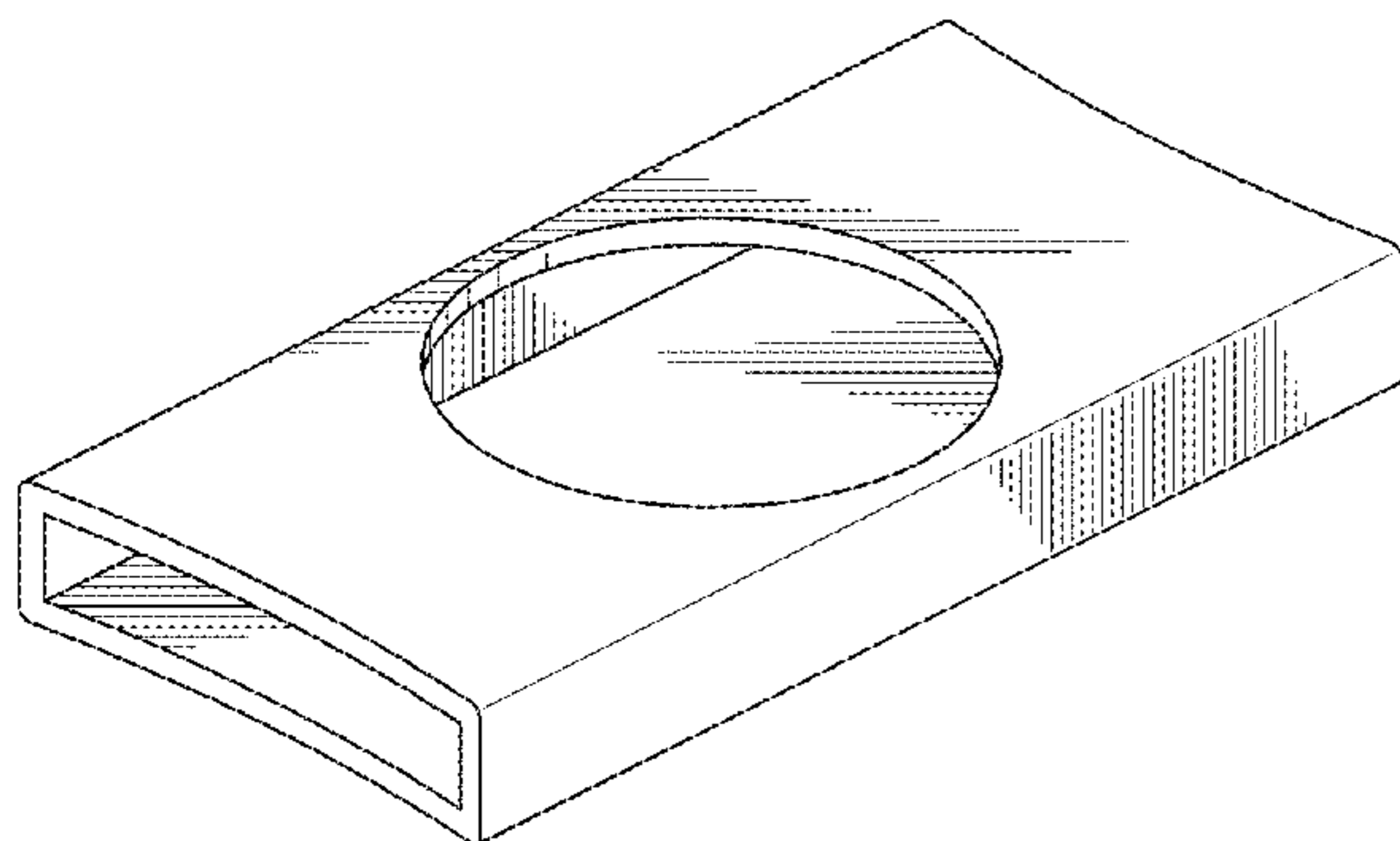
FIG. 5 is a bottom plan view thereof.

FIG. 6 is an end elevational view thereof, the other end elevational view being identical.

FIG. 7 is a cross-sectional view taken in the direction of lines 7-7 of FIG. 3; and,

FIG. 8 is a cross-sectional view taken in the direction of lines 8-8 of FIG. 3.

1 Claim, 4 Drawing Sheets



(56)

References Cited

U.S. PATENT DOCUMENTS

D733,202 S * 6/2015 Culbertson D15/138
D738,945 S * 9/2015 Culbertson D15/138

OTHER PUBLICATIONS

American Girl Box Costume, posted at Lovebugliving.com, posted on Oct. 29, 2013, [online], [site visited Apr. 13, 2017]. Available from Internet, <<http://www.lovebugliving.com/2013/10/american-girl-box-costume.html>>.*

* cited by examiner

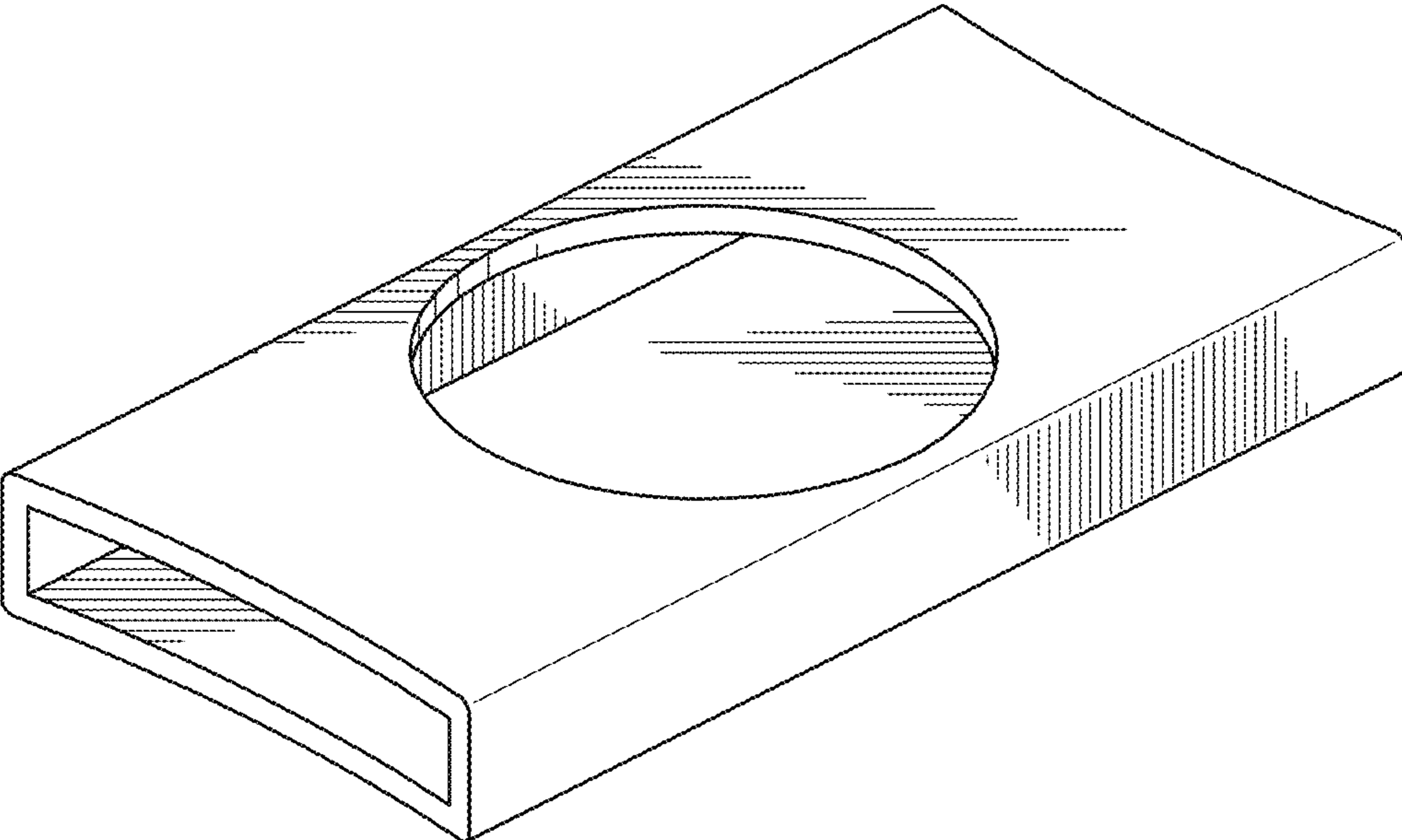


Fig. 1

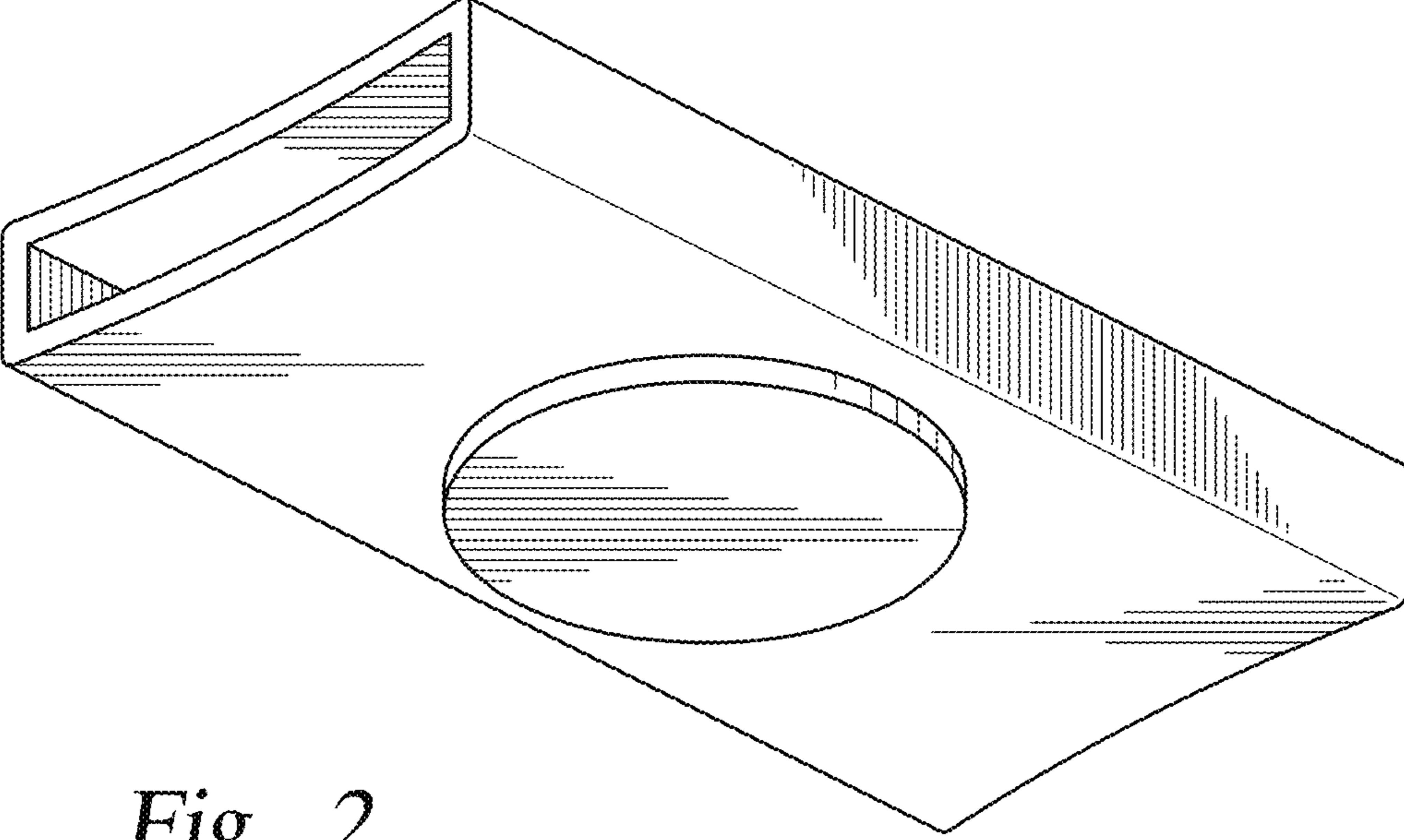


Fig. 2

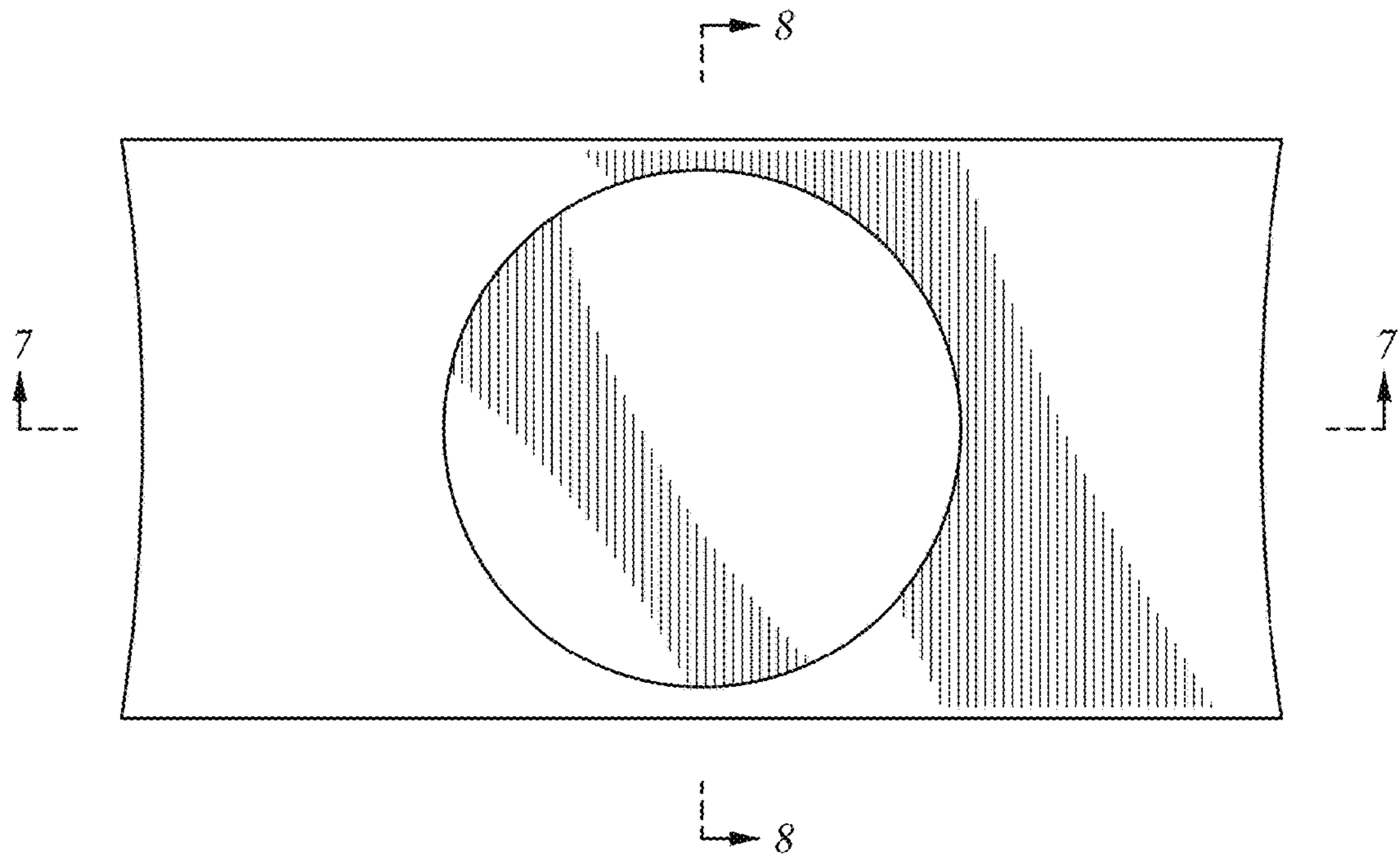


Fig. 3

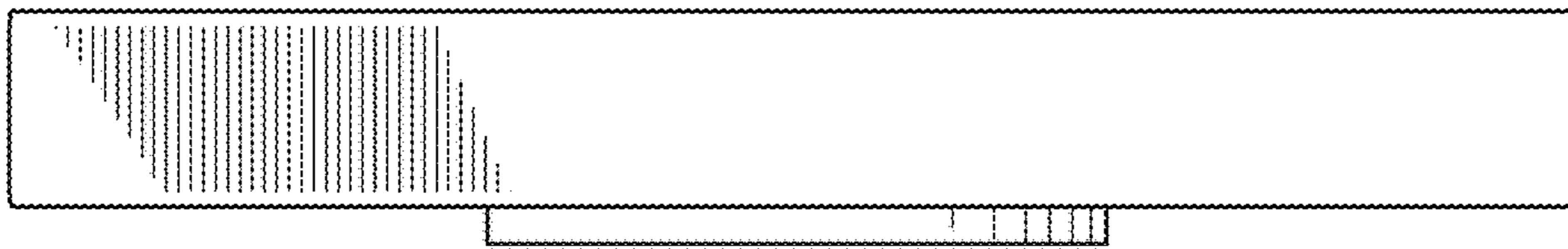


Fig. 4

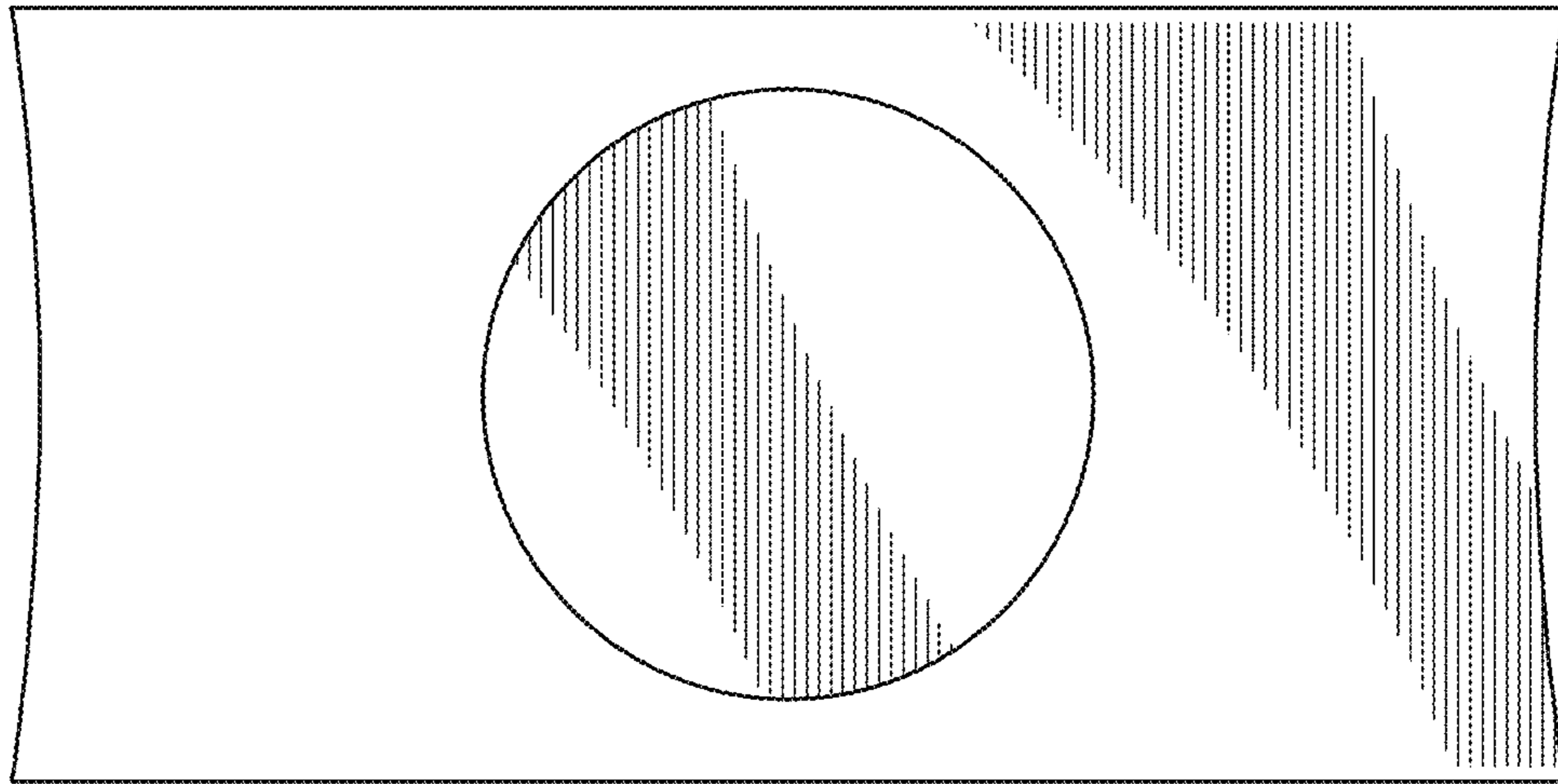


Fig. 5

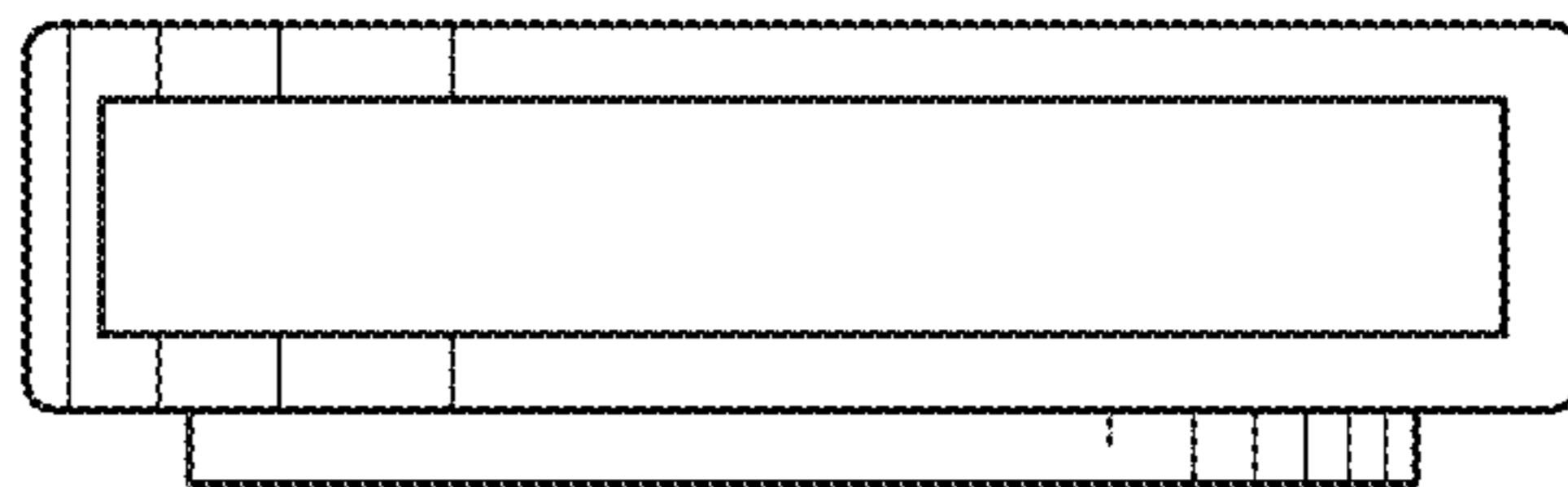


Fig. 6

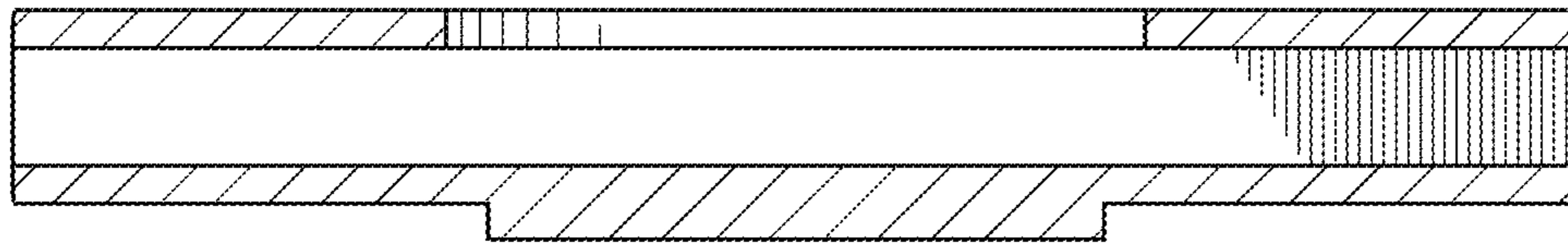


Fig. 7

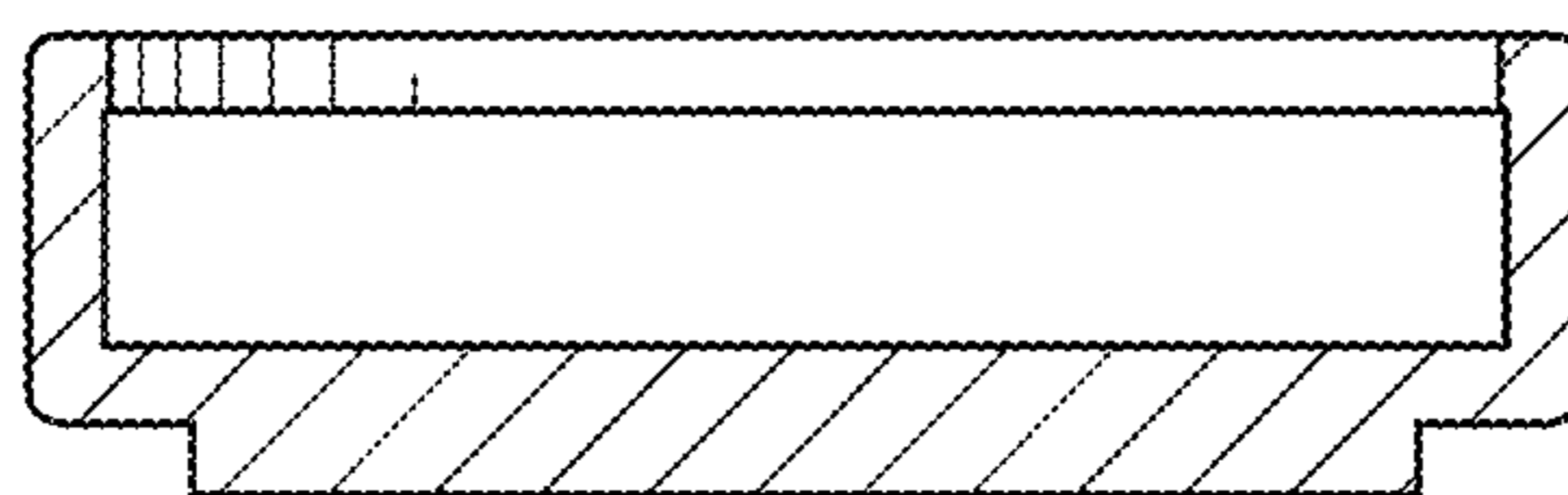


Fig. 8