



US00D796561S

(12) **United States Design Patent**  
**Andrews, III**

(10) **Patent No.:** **US D796,561 S**

(45) **Date of Patent:** **\*\* Sep. 5, 2017**

- (54) **MITRE SAW FENCE SCALE**
- (71) Applicant: **Chester Bronson Andrews, III**,  
Danbury, CT (US)
- (72) Inventor: **Chester Bronson Andrews, III**,  
Danbury, CT (US)
- (\*\*) Term: **15 Years**
- (21) Appl. No.: **29/537,367**
- (22) Filed: **Aug. 25, 2015**
- (51) **LOC (10) Cl.** ..... **15-09**
- (52) **U.S. Cl.**  
USPC ..... **D15/133**
- (58) **Field of Classification Search**  
USPC ..... D15/133, 134, 139; D8/61, 64-69;  
82/113; 83/471.3  
CPC ..... B23D 45/044-45/048; B21D 17/04; B23K  
7/006; B23B 5/162; B23B 5/163; B27B  
5/29; Y10T 83/7607; Y10T 83/7697  
See application file for complete search history.

- D387,689 S \* 12/1997 Sharon ..... D10/71
- 5,755,148 A \* 5/1998 Stumpf ..... B27B 27/00  
83/468.2
- 5,865,079 A \* 2/1999 Itzov ..... B23D 45/044  
83/468.2
- 6,425,309 B1 \* 7/2002 Stumpf ..... B27B 27/00  
83/468.2
- 7,121,179 B2 \* 10/2006 Chen ..... B23D 45/044  
83/473
- D547,338 S \* 7/2007 Firth ..... D15/133
- D612,273 S \* 3/2010 Eras ..... G01B 3/004  
D10/71
- 7,752,950 B2 \* 7/2010 Hu ..... B23D 45/048  
83/397
- 7,789,003 B2 \* 9/2010 Chen ..... B23D 45/044  
83/100
- D626,159 S \* 10/2010 Jebb ..... D15/133
- D632,986 S \* 2/2011 Forhan ..... D10/71
- 8,002,253 B2 \* 8/2011 Thomas ..... B23D 45/048  
269/63

(Continued)

*Primary Examiner* — Patricia Palasik  
(74) *Attorney, Agent, or Firm* — Dunlap Bennett &  
Ludwig PLLC

(56) **References Cited**

U.S. PATENT DOCUMENTS

- 4,170,158 A \* 10/1979 Weaver ..... B23Q 17/2233  
33/483
- 4,392,401 A \* 7/1983 Ess ..... B23D 47/025  
83/153
- 4,432,263 A \* 2/1984 Kowalchuk ..... B23Q 3/005  
83/438
- 4,452,117 A \* 6/1984 Brickner ..... B23D 45/024  
83/468
- 4,745,834 A \* 5/1988 Neumann ..... B23D 45/025  
83/468
- D311,873 S \* 11/1990 Arend ..... D10/71
- D318,435 S \* 7/1991 Cutler ..... D10/71
- 5,483,858 A \* 1/1996 Chen ..... B23D 47/04  
269/303
- D376,806 S \* 12/1996 Holly ..... D15/133

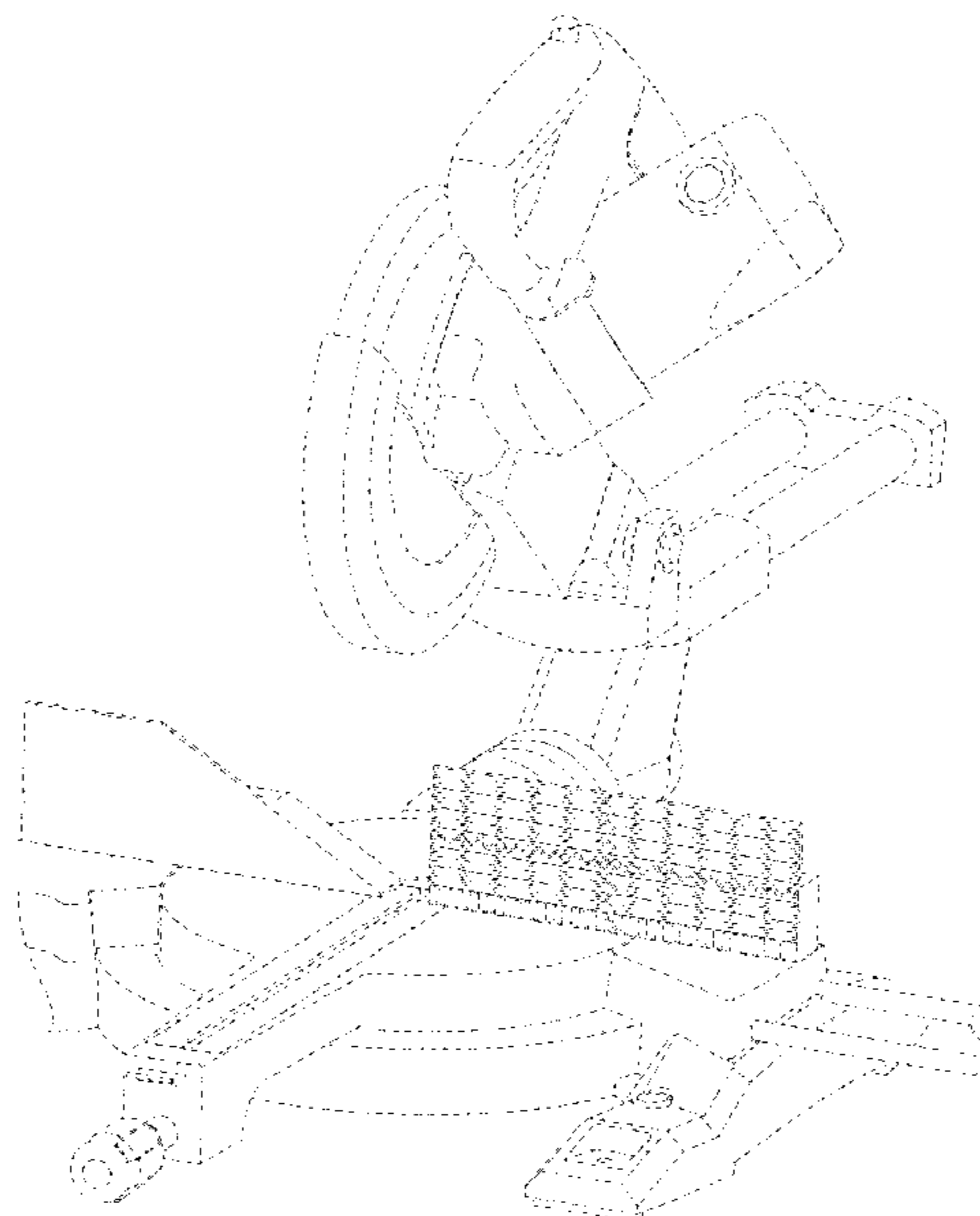
(57) **CLAIM**

The ornamental design for a mitre saw fence scale, as shown and described.

**DESCRIPTION**

FIG. 1 is an isometric view of a mitre saw fence scale, shown in use; and,  
FIG. 2 is a front view thereof.  
The broken lines in the drawings depict unclaimed environmental subject matter.  
The cutaway symbols illustrated in break lines in the drawings indicate a symbolic break in the design for the mitre saw fence scale. The appearance of any portion of the article between the break lines forms no part of the claimed design.

**1 Claim, 2 Drawing Sheets**



(56)

**References Cited**

U.S. PATENT DOCUMENTS

8,166,860	B2 *	5/2012	Gibbons	.....	B23D 45/042 33/537
D688,714	S *	8/2013	Firth	.....	D15/133
8,573,104	B2 *	11/2013	Thomas	.....	B23D 47/00 83/471.3
8,621,970	B2 *	1/2014	Lawlor	.....	B23D 47/04 83/468.2
8,661,956	B2 *	3/2014	Thomas	.....	B23D 45/044 83/468.1
8,695,468	B2 *	4/2014	Thomas	.....	B23D 45/048 83/471
D720,008	S *	12/2014	Krause	.....	D19/62
8,931,386	B2 *	1/2015	Lawlor	.....	B23D 45/044 83/471.3
D759,060	S *	6/2016	Kim	.....	D14/485
9,375,794	B2 *	6/2016	Chen	.....	B23D 45/048
2002/0100350	A1 *	8/2002	Brazell	.....	B27B 27/08 83/438
2004/0112190	A1 *	6/2004	Hollis	.....	B27B 5/29 83/13
2006/0266182	A1 *	11/2006	Balolia	.....	B27B 27/02 83/471.3
2008/0022824	A1 *	1/2008	Chang	.....	B27B 27/06 83/471
2009/0095141	A1 *	4/2009	Billings	.....	B27B 27/06 83/468.3

\* cited by examiner

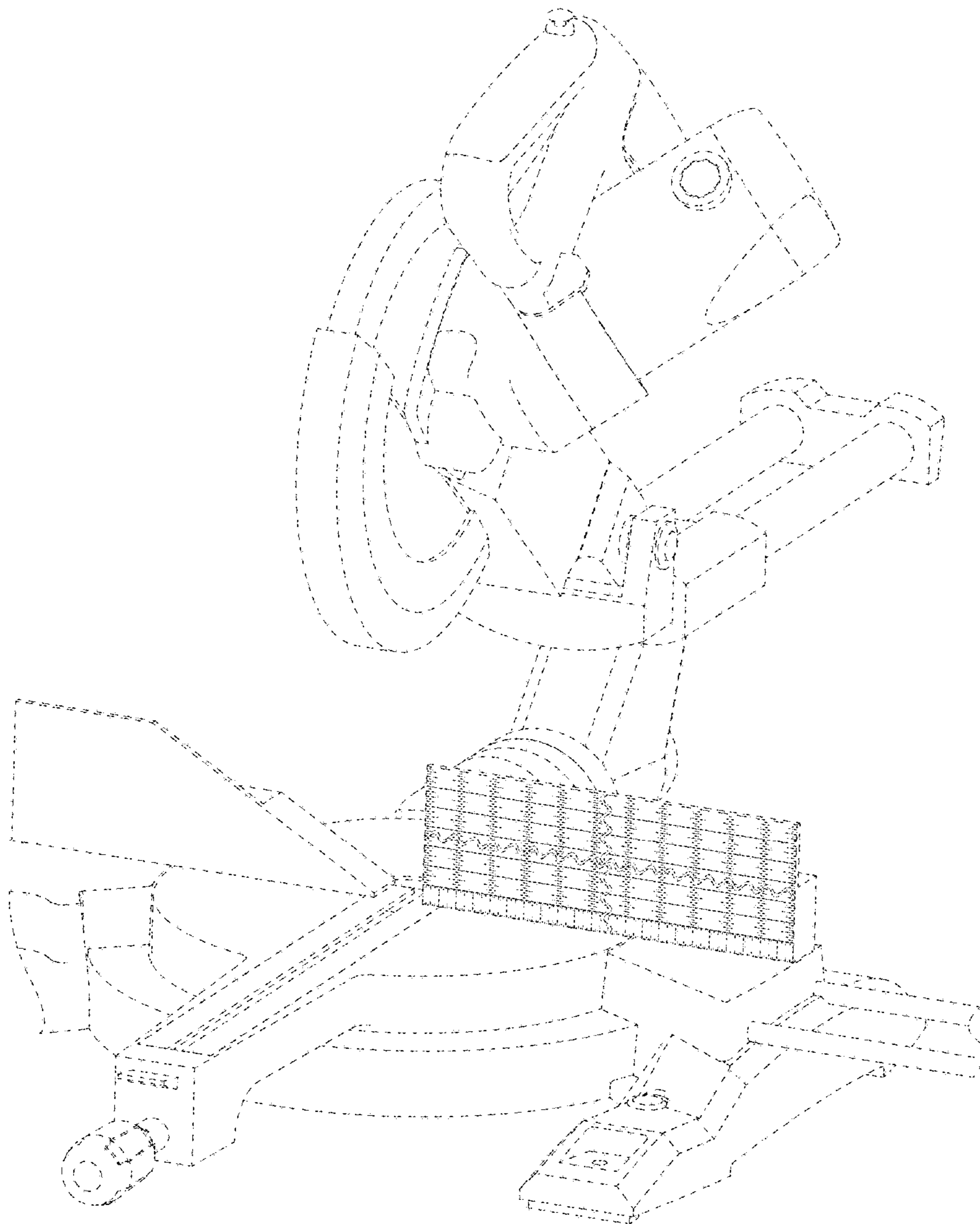


FIG. 1

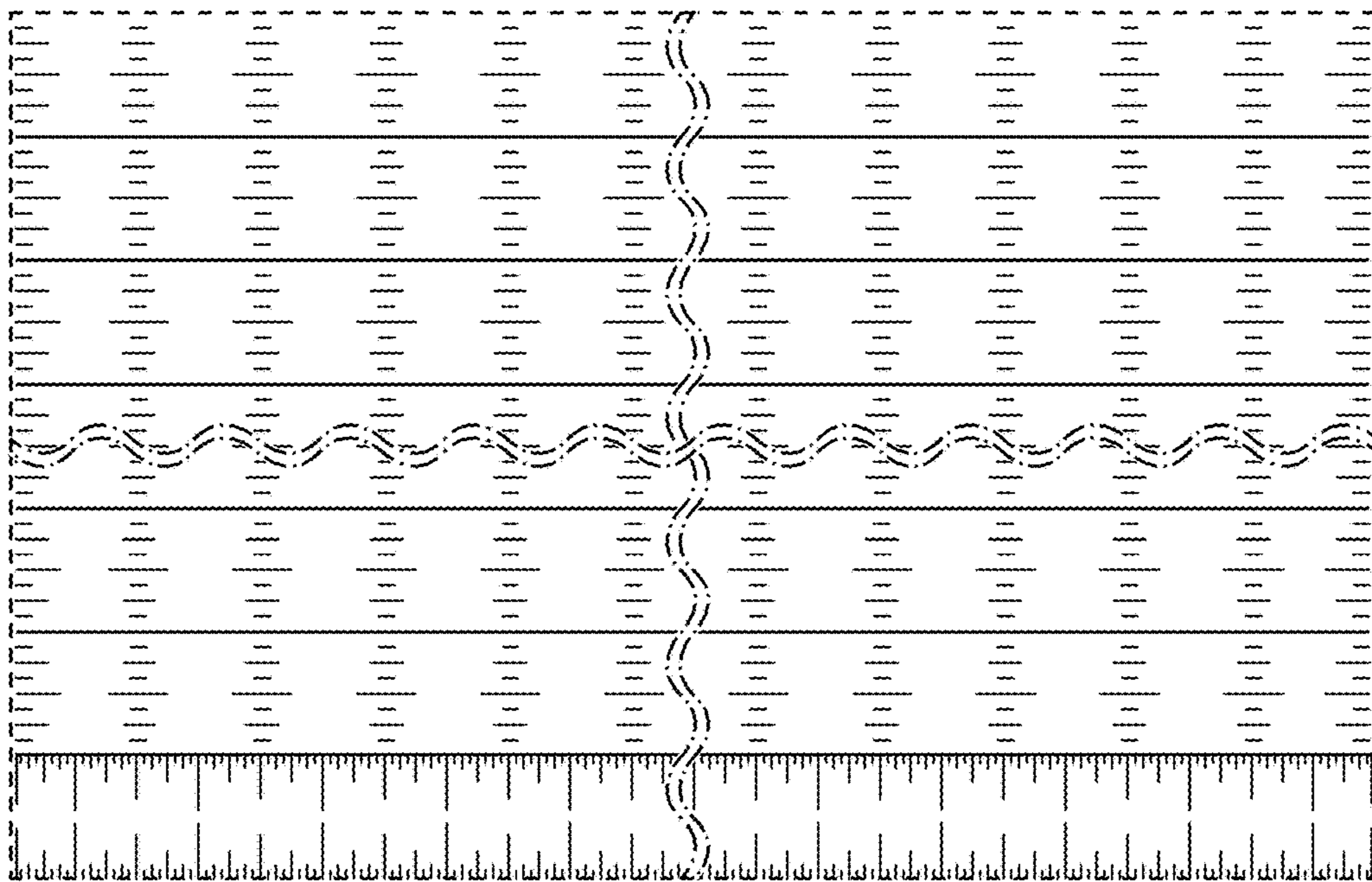


FIG. 2