



US00D796560S

(12) **United States Design Patent** (10) **Patent No.:** **US D796,560 S**  
**Onrat** (45) **Date of Patent:** **\*\* Sep. 5, 2017**

(54) **REFRIGERATOR DOOR SHELF**  
(71) Applicant: **Arcelik Anonim Sirketi**, Istanbul (TR)  
(72) Inventor: **Onur Onrat**, Istanbul (TR)  
(73) Assignee: **Arcelik Anonim Şirketi**, Istanbul (TR)  
(\*\*) Term: **15 Years**  
(21) Appl. No.: **29/556,828**  
(22) Filed: **Mar. 3, 2016**  
(30) **Foreign Application Priority Data**

Sep. 3, 2015 (EM) ..... 002765271

(51) **LOC (10) Cl.** ..... **15-07**

(52) **U.S. Cl.**  
USPC ..... **D15/89**

(58) **Field of Classification Search**  
USPC ..... D15/79-91  
CPC ..... F25D 25/02; F25D 25/024; F25D 23/00;  
F25D 2325/022; F25D 25/04; F25D  
23/067; F25D 23/04; F25D 11/00; F25D  
23/025; F25D 25/025; F25D 27/00; F25D  
2325/021; F25D 2400/22; F25D 11/02;  
F25D 23/12; F25D 27/005; F25D  
2331/80; F25D 17/042; F25D 2331/805;  
F25D 23/028; F25D 2400/40; F25D  
2500/02; F25D 2500/06; F25D 25/022;  
F25D 25/028; F25D 2201/00; F25D  
2317/041; F25D 2317/0411; F25D  
2317/0416; F25D 2323/122; F25D  
2325/00; F25D 2327/00; F25D 2327/001;  
F25D 2331/809; F25D 2331/81; F25D  
23/062; F25D 23/065; F25D 23/069;  
F25D 23/087; F25D 23/126; F25D  
2400/36; F25D 2400/361; F25D 25/00;  
F25D 2600/00; F25D 2600/02

See application file for complete search history.

(56) **References Cited**

U.S. PATENT DOCUMENTS

D483,046 S *	12/2003	Becke	.....	D15/89
D494,195 S *	8/2004	Becke	.....	D15/89
D590,424 S *	4/2009	Baacke	.....	D15/89
D591,314 S *	4/2009	Baacke	.....	D15/89
D591,315 S *	4/2009	Baacke	.....	D15/89
D603,883 S *	11/2009	Placke	.....	D15/89
D694,288 S *	11/2013	Hottmann	.....	D15/89
D694,289 S *	11/2013	Hottmann	.....	D15/89
D709,928 S *	7/2014	Park	.....	D15/89
D710,406 S *	8/2014	Seo	.....	D15/89
D747,372 S *	1/2016	Kim	.....	D15/89
D748,165 S *	1/2016	McConnell	.....	D15/89
D773,540 S *	12/2016	Heck	.....	D15/89

\* cited by examiner

*Primary Examiner* — Ian Simmons

*Assistant Examiner* — Khawaja Anwar

(74) *Attorney, Agent, or Firm* — Fox Rothschild LLP

(57) **CLAIM**

The ornamental design for a refrigerator door shelf, as shown and described.

**DESCRIPTION**

FIG. 1 is a perspective view of a refrigerator door shelf according to the present invention.

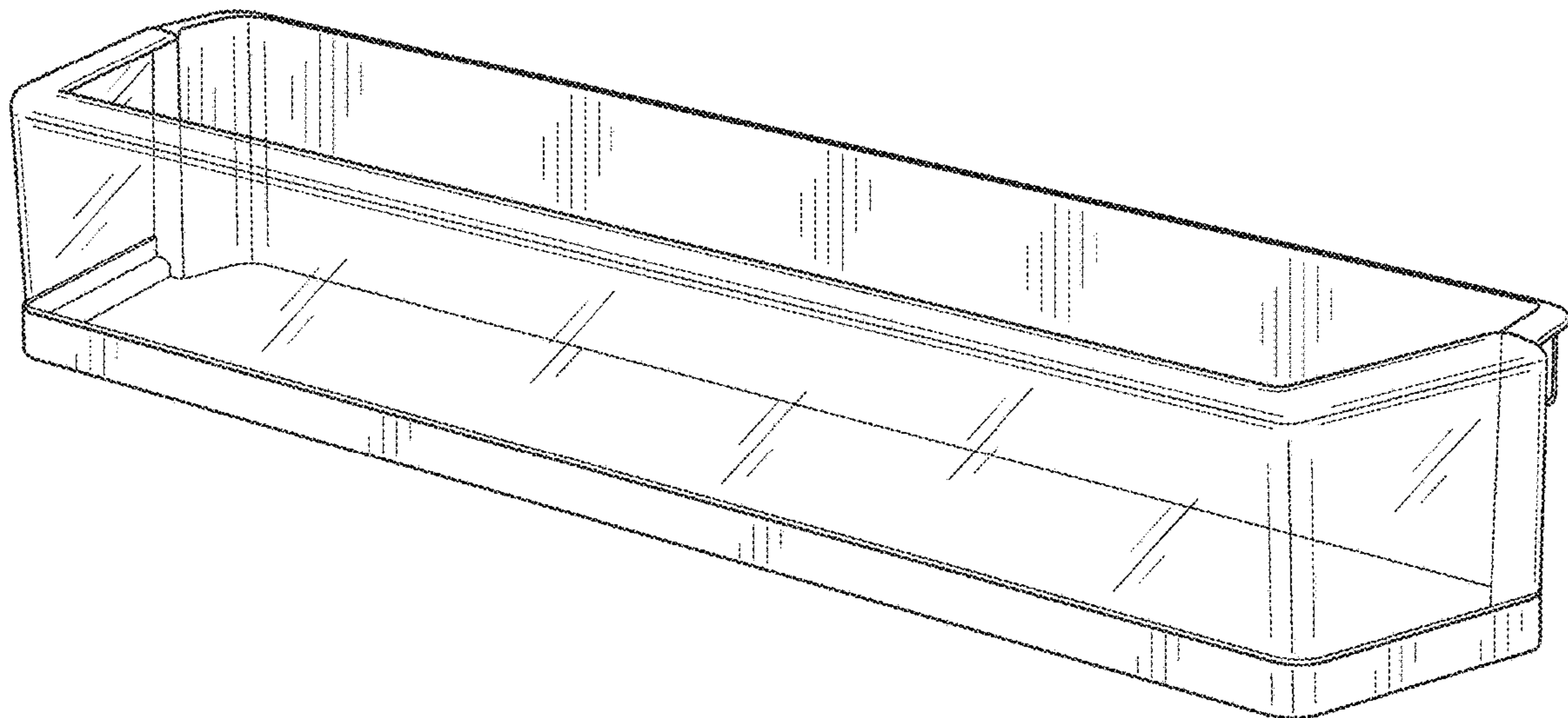
FIG. 2 is a front elevation view of the refrigerator door shelf of FIG. 1, the rear view is disclaimed.

FIG. 3 is a right side elevation view of the refrigerator door shelf of FIG. 1, the left side view being a mirror image thereof; and,

FIG. 4 is a top plan view of the refrigerator door shelf of FIG. 1, the bottom view is disclaimed.

The broken line showing in FIG. 3 is included for the purpose of illustrating portions of the refrigerator door shelf that form no part of the claimed design.

**1 Claim, 4 Drawing Sheets**



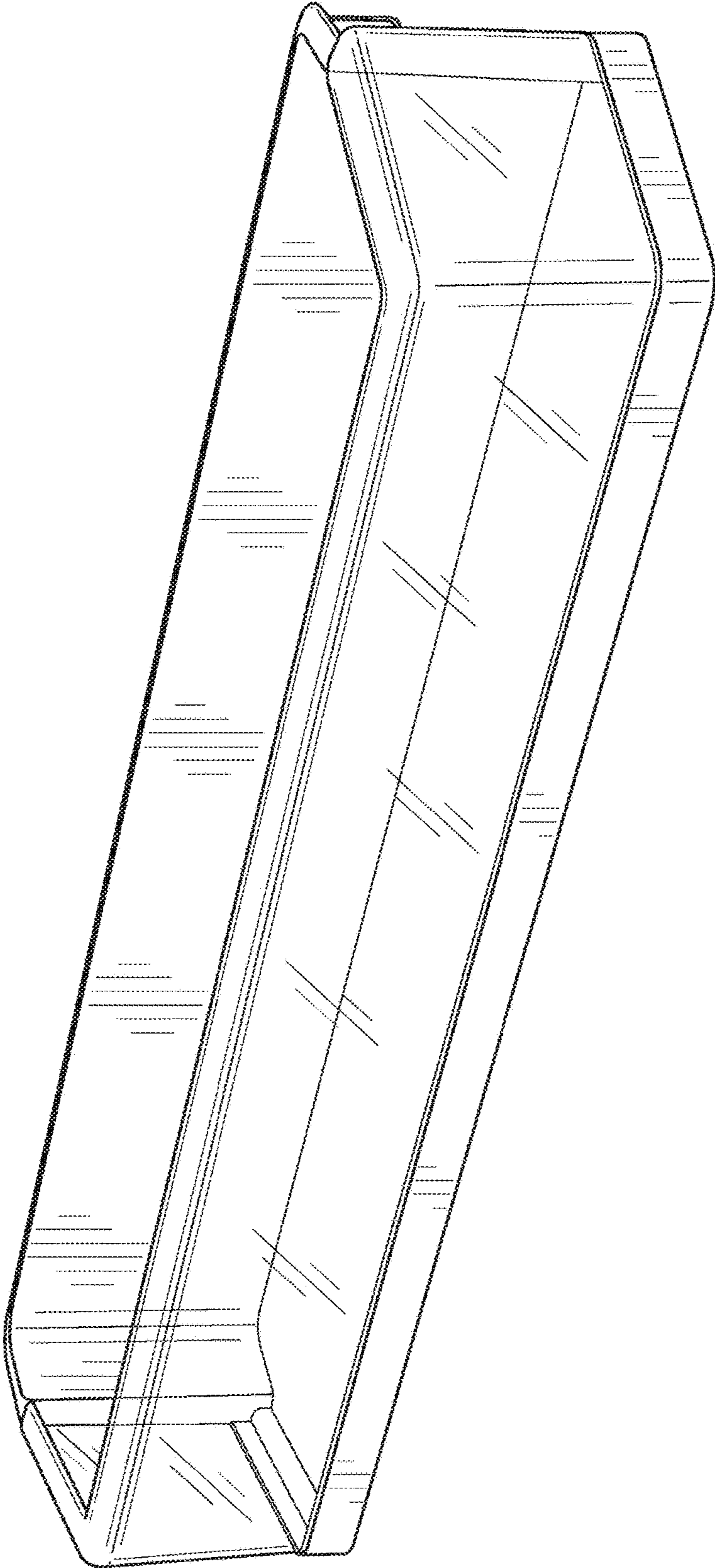


FIG. 1

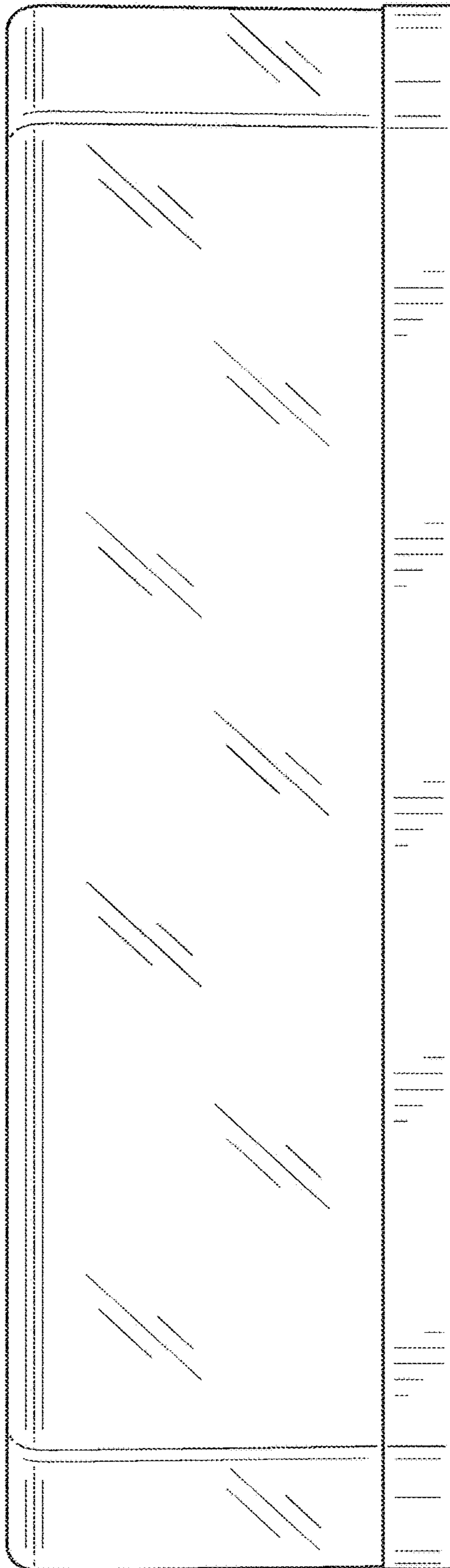


FIG. 2

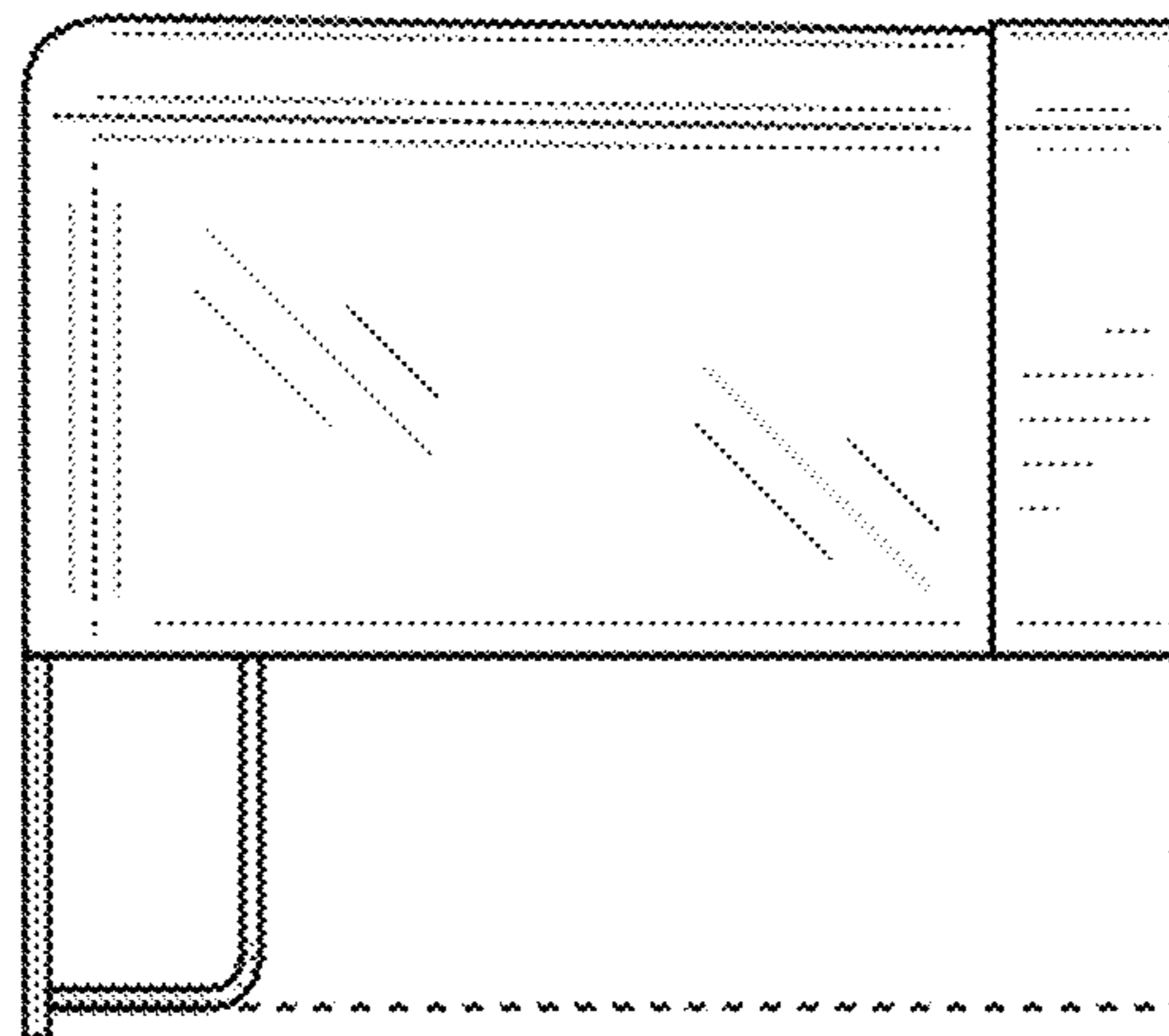


FIG. 3

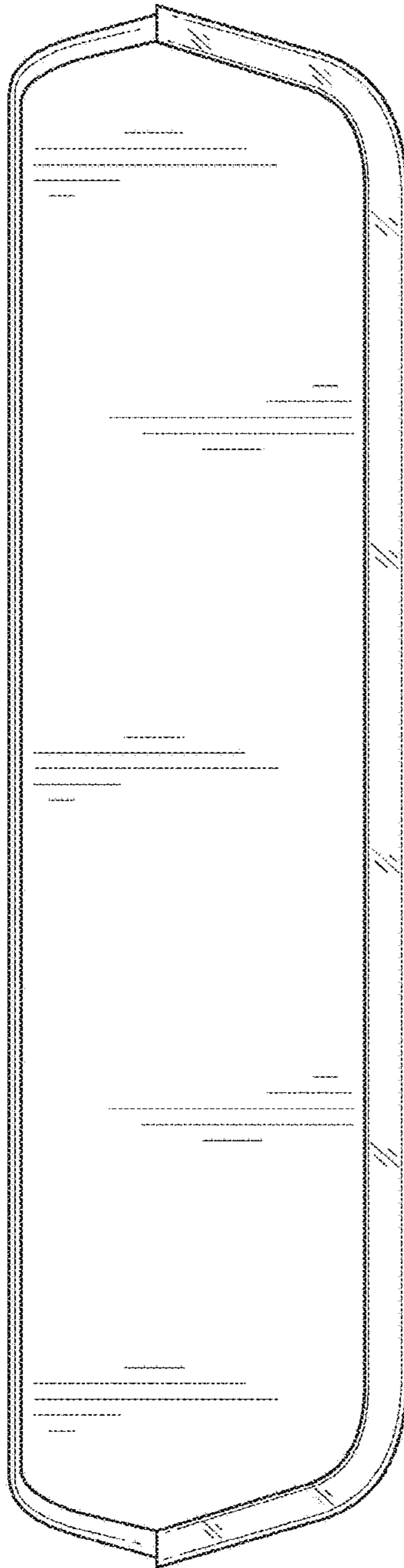


FIG. 4