

US00D796555S

(12) **United States Design Patent**
Landberg et al.

(10) **Patent No.:** **US D796,555 S**

(45) **Date of Patent:** **** Sep. 5, 2017**

(54) **ROBOTIC MOWER**

(71) Applicant: **HUSQVARNA AB**, Huskvarna (SE)

(72) Inventors: **Gustav Landberg**, Trosa (SE); **Patrik Almqvist**, Arsta (SE)

(73) Assignee: **HUSQVARNA AB**, Huskvarna (SE)

(**) Term: **15 Years**

(21) Appl. No.: **29/574,697**

(22) Filed: **Aug. 18, 2016**

(30) **Foreign Application Priority Data**

Feb. 18, 2016 (EM) 002991612-0002

(51) **LOC (10) Cl.** **15-03**

(52) **U.S. Cl.**
USPC **D15/14; D15/17**

(58) **Field of Classification Search**

USPC D15/14, 17, 18; 56/11.9, 17.5, 13.4,
56/12.8, 16.7, 202, 255, 294, 295, 320.1,
56/320.2; 180/900, 89.1, 89.12

CPC A01D 34/008; A01D 34/81; A01D 34/416;
A01D 34/4166; A01D 34/4167; A01D
34/87; A01D 34/90; B60L 1/003; B60L
3/0061; B60L 11/1803; B60L 11/1805;
B60L 11/1877; B60L 15/20; B60L
2260/28; B60L 2200/40; B60L 2220/16;
B60L 2220/46; B60L 2240/36; B60L
2240/421; A01G 3/04; A01G 3/0435

See application file for complete search history.

(56) **References Cited**

U.S. PATENT DOCUMENTS

D420,365 S * 2/2000 Gunnar D15/14
D451,931 S * 12/2001 Abramson D15/14
D504,901 S * 5/2005 Wickstrom D15/14
D559,867 S * 1/2008 Abramson D15/14

D652,431 S * 1/2012 Naslund D15/14
D656,163 S * 3/2012 Johansson D15/14
D678,352 S * 3/2013 Maeda D15/14
D679,294 S * 4/2013 Tajik D15/14
D679,295 S * 4/2013 Tajik D15/14
D681,065 S * 4/2013 Maeda D15/14
D688,276 S * 8/2013 Naslund D15/14
D745,897 S * 12/2015 Mehra D15/14

* cited by examiner

Primary Examiner — Mark Goodwin

(74) *Attorney, Agent, or Firm* — McNair Law Firm, P.A.

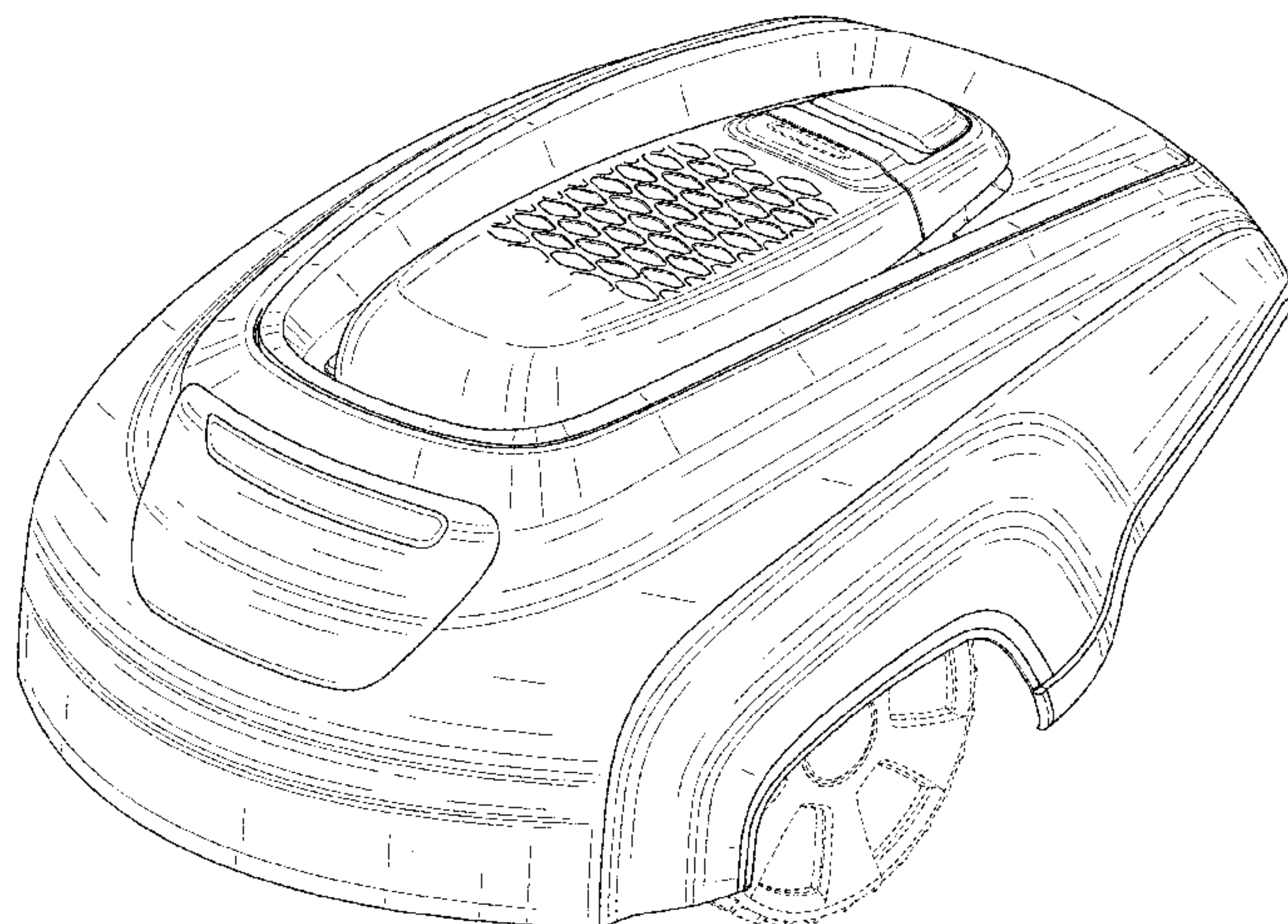
(57) **CLAIM**

The ornamental design for a robotic mower, as shown and described.

DESCRIPTION

FIG. 1 is a perspective view of a robotic mower in accordance with an embodiment of the present invention;
FIG. 2 is a front view of the robotic mower of FIG. 1;
FIG. 3 is a rear view of the robotic mower of FIG. 1;
FIG. 4 is a right side view of the robotic mower of FIG. 1;
FIG. 5 is a left side view of the robotic mower of FIG. 1;
FIG. 6 is a top view of the robotic mower of FIG. 1; and,
FIG. 7 is a bottom view of the robotic mower of FIG. 1.
The broken lines of FIGS. 1-7 are illustrative of the visible environmental structure of the robotic mower and form no part of the claimed design.

1 Claim, 7 Drawing Sheets



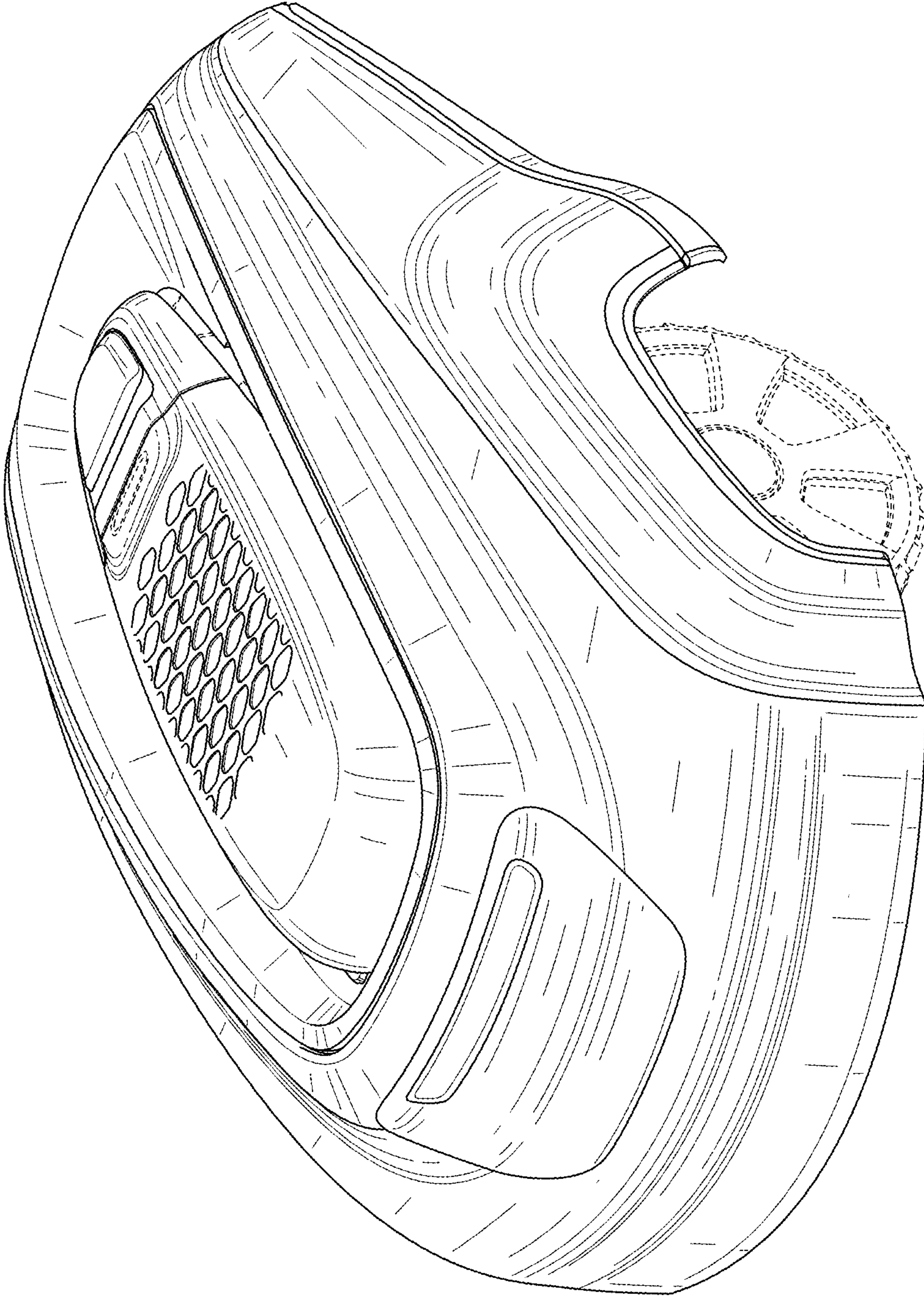


FIG. 1

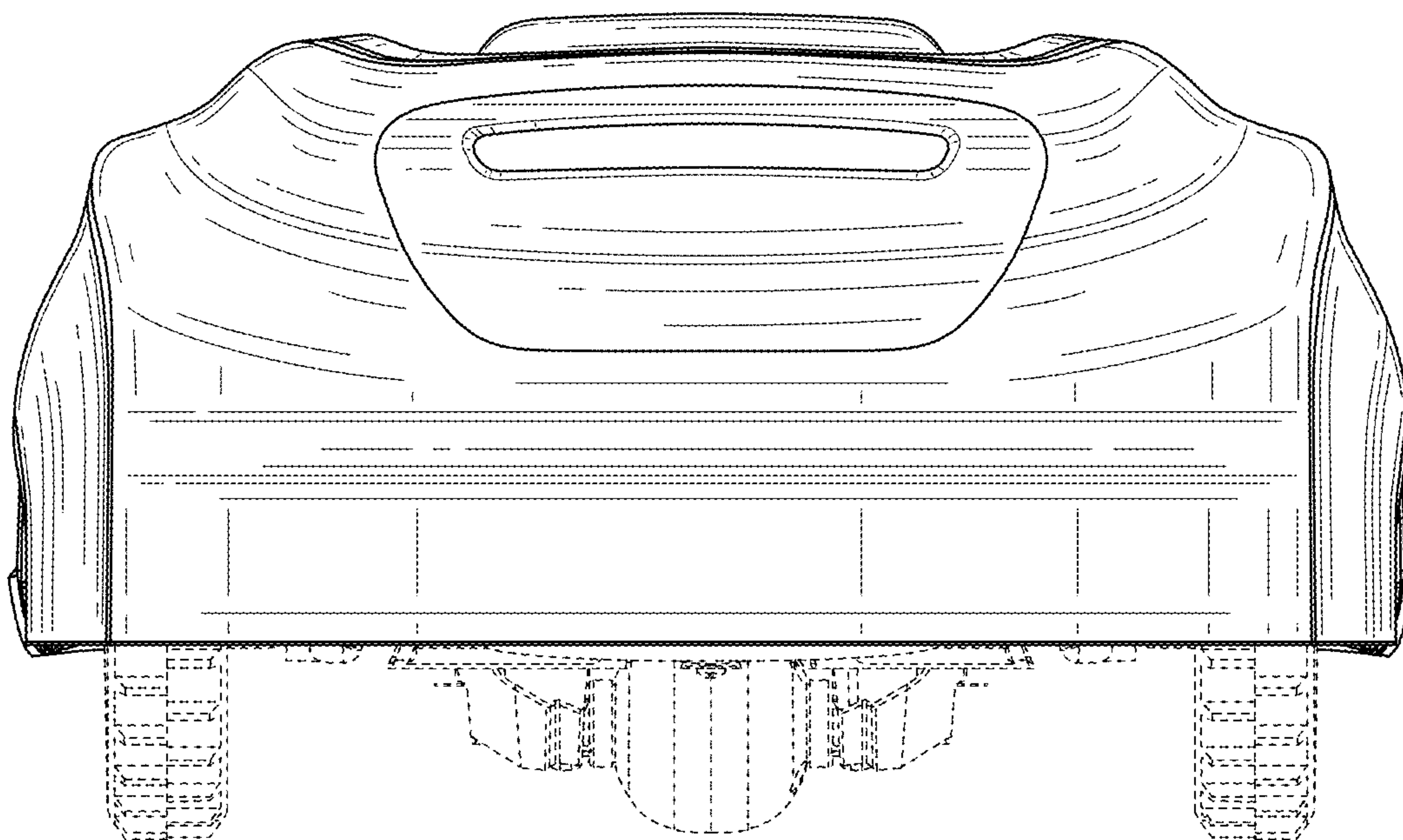


FIG. 2

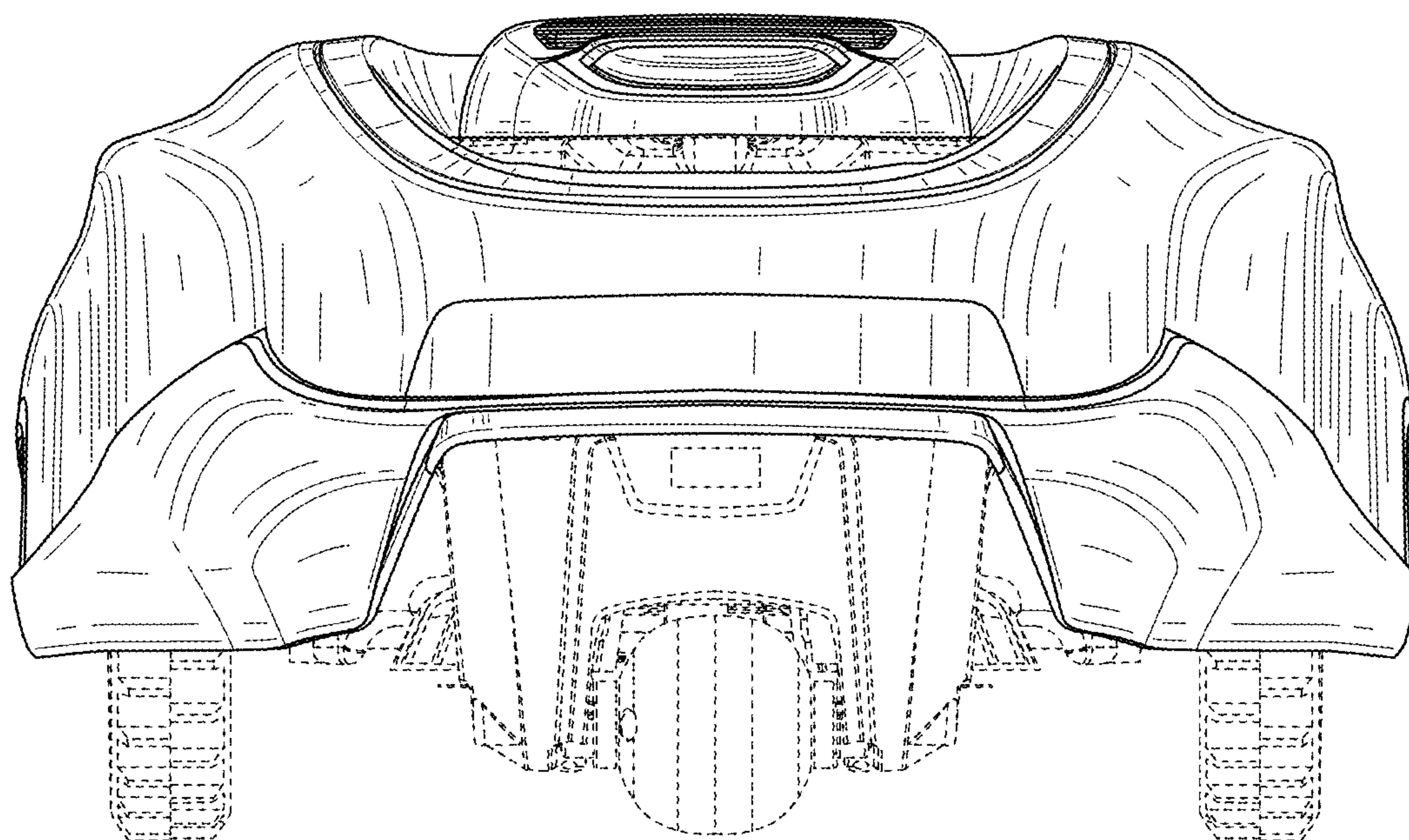


FIG. 3

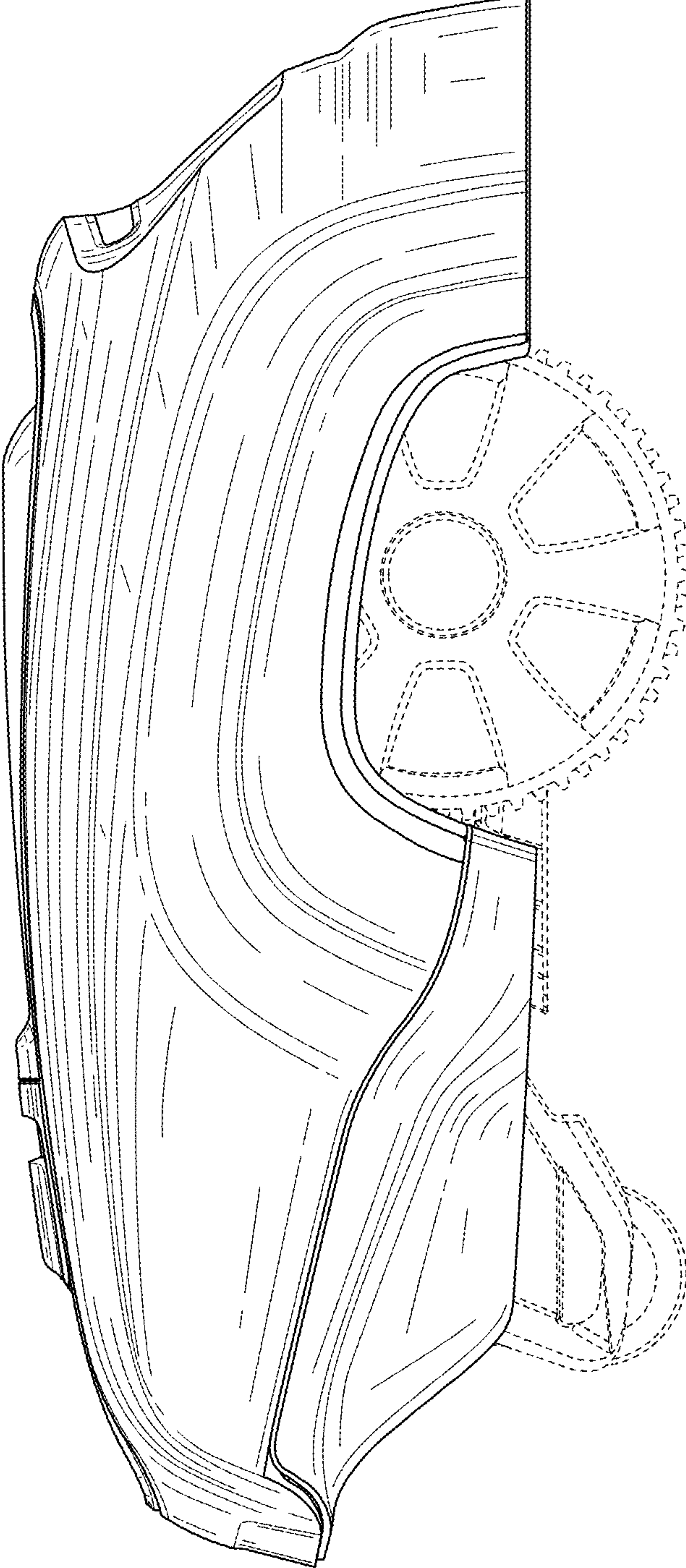


FIG. 4

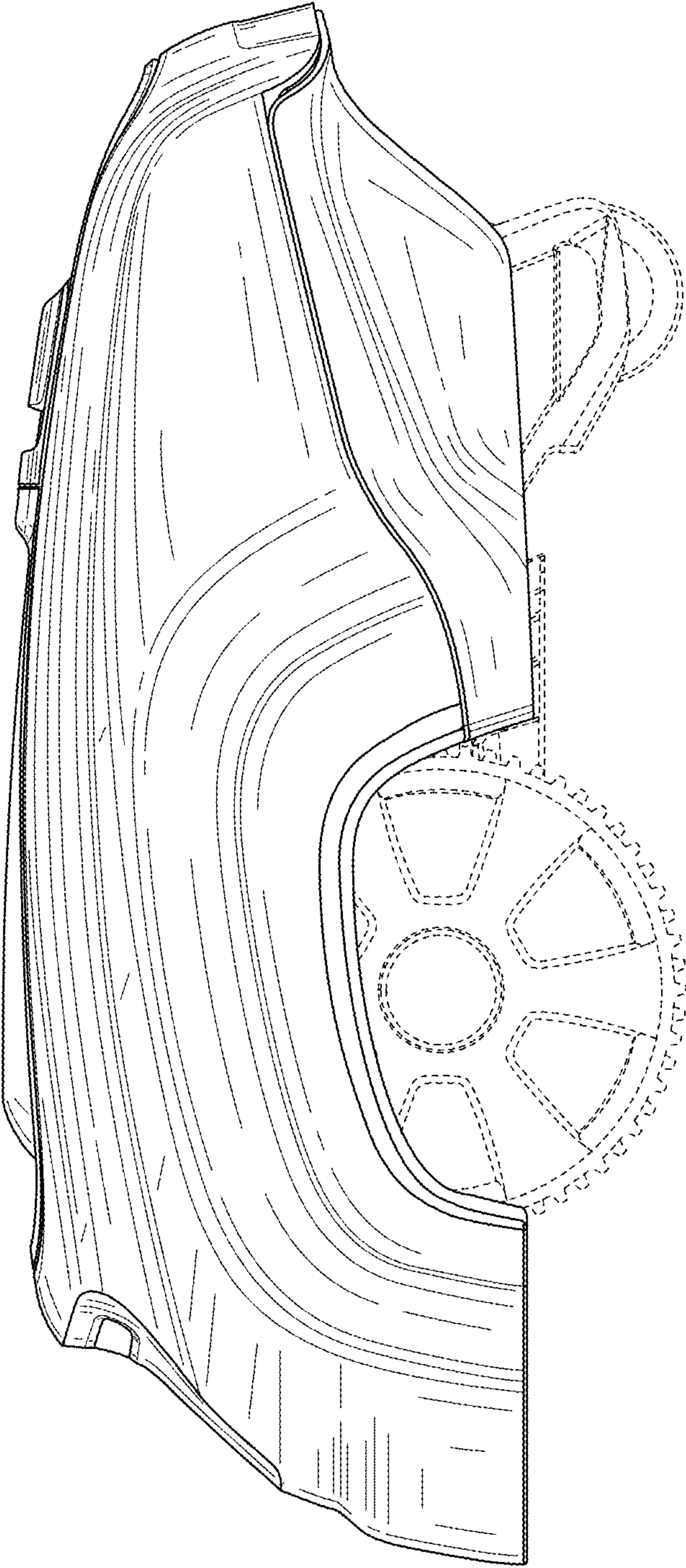


FIG. 5

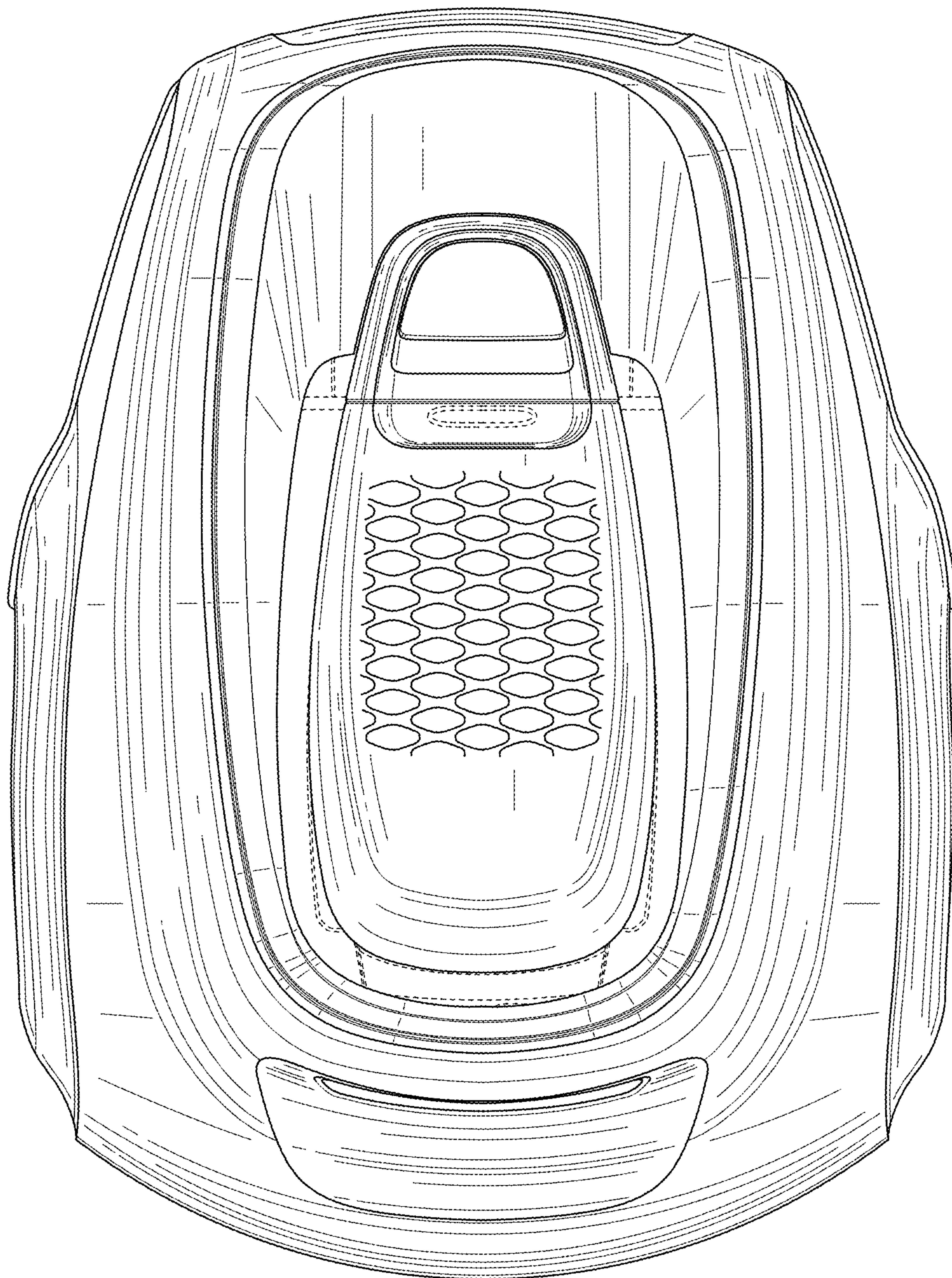


FIG. 6

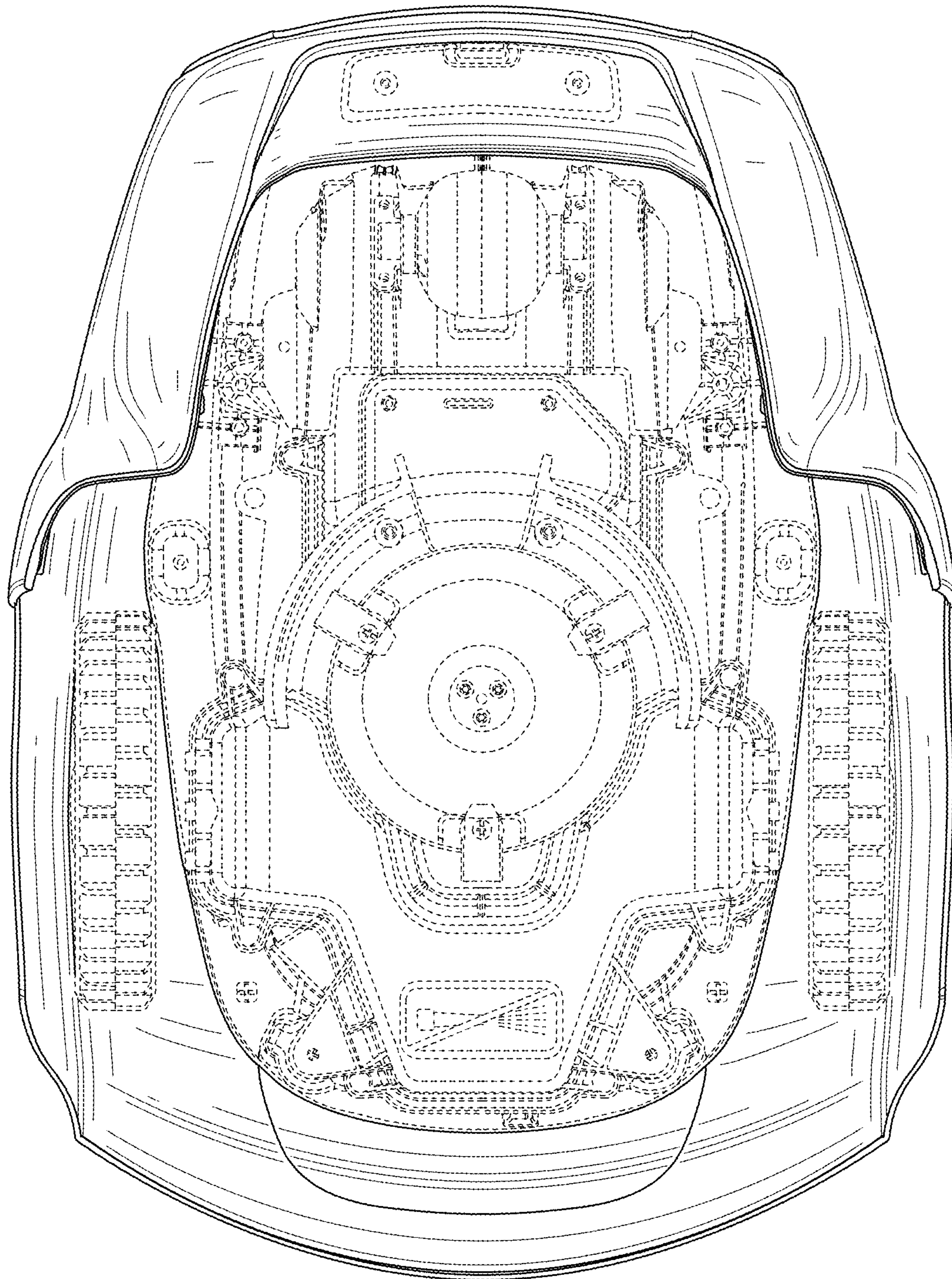


FIG. 7