



US00D796554S

(12) **United States Design Patent** (10) **Patent No.:** **US D796,554 S**  
**Armstrong** (45) **Date of Patent:** **\*\* Sep. 5, 2017**

(54) **PASSIVE CENTRIPETAL AIR/OIL SEPARATOR**

(74) *Attorney, Agent, or Firm* — QuickPatents, LLC; Kevin Prince

(71) Applicant: **Gary Armstrong**, Loomis, CA (US)

(72) Inventor: **Gary Armstrong**, Loomis, CA (US)

(57) **CLAIM**

(\*\*) Term: **15 Years**

I claim the ornamental design for a passive centripetal air/oil separator, as shown and described.

(21) Appl. No.: **29/572,640**

(22) Filed: **Jul. 28, 2016**

(51) **LOC (10) Cl.** ..... **15-01**

(52) **U.S. Cl.**  
USPC ..... **D15/5**

(58) **Field of Classification Search**  
USPC ..... D15/1-7, 150; D13/184  
CPC ..... B01D 35/02; F01M 13/04; F01M 2013/0422; F01M 2013/0427; F01M 2013/0438; F01M 2013/0444; B04B 5/12  
See application file for complete search history.

**DESCRIPTION**

FIG. 1 is a perspective view of a centripetal air/oil separator, showing my new design in an assembled configuration; FIG. 2 is an exploded perspective view of a first embodiment thereof; FIG. 3 is a front elevational view of FIG. 1; FIG. 4 is a rear elevational view of FIG. 1; FIG. 5 is a right-side elevational view of FIG. 1; FIG. 6 is a left-side elevational view of FIG. 1; FIG. 7 is a bottom plan view of FIG. 1; FIG. 8 is a top plan view of FIG. 1; FIG. 9 is an exploded perspective view of a second embodiment thereof; and, FIG. 10 is an exploded perspective view of a third embodiment thereof.

The three embodiments are understood to vary only with regard to an internal member that is visible only in the exploded view and partially through two inlet/outlet ports. The broken line shown in the drawings are for the purpose of illustrating portions of the article that form no part of the claimed design.

(56) **References Cited**

**U.S. PATENT DOCUMENTS**

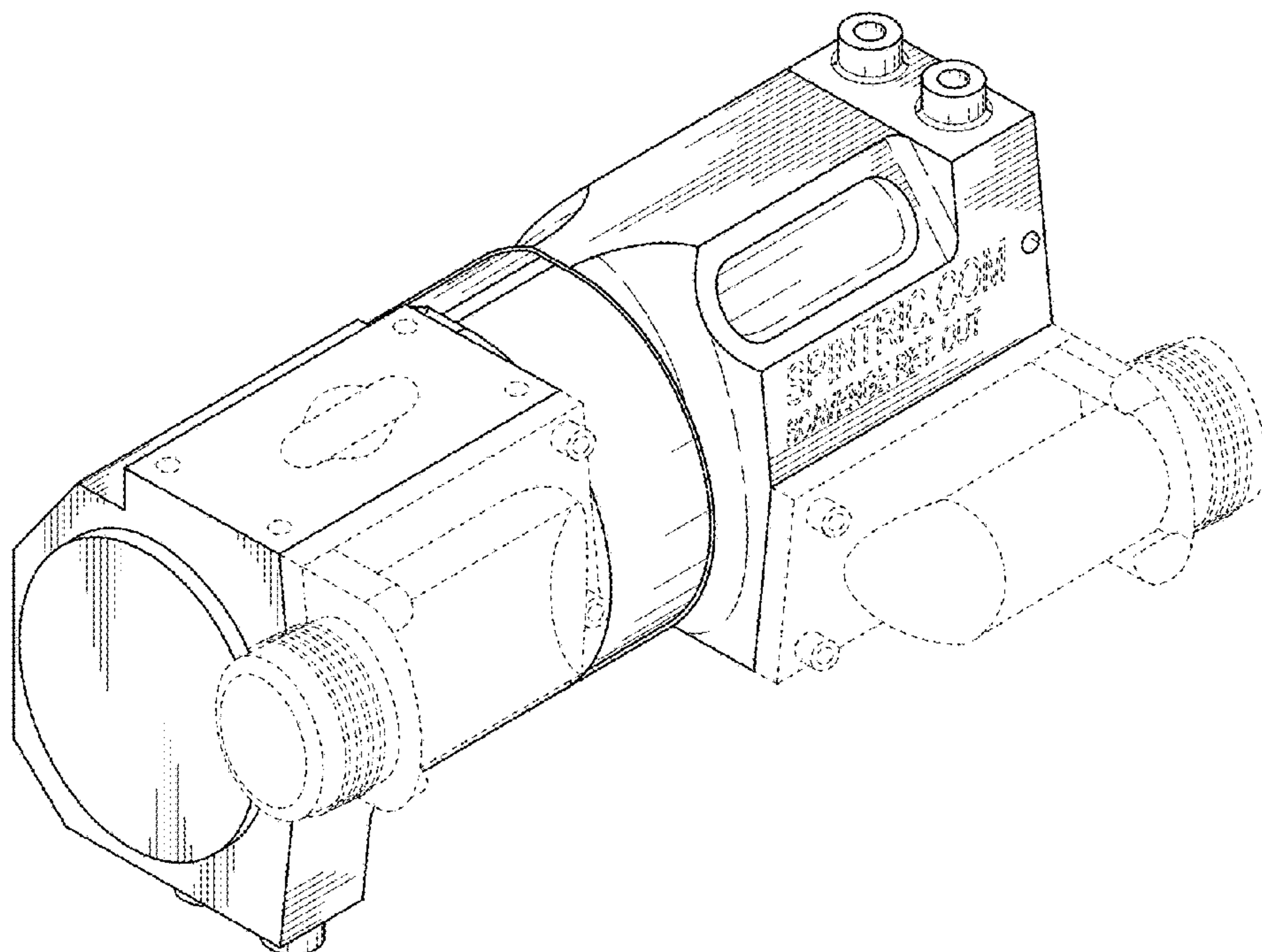
5,277,154	A *	1/1994	McDowell	.....	B01D 45/06 123/41.86
7,445,653	B2 *	11/2008	Trautmann	.....	F01M 13/04 55/345
D679,733	S *	4/2013	Armstrong	.....	D15/5
D742,419	S	11/2015	Armstrong		
9,260,993	B1 *	2/2016	Mainiero	.....	B01D 45/08

\* cited by examiner

*Primary Examiner* — T. Chase Nelson

*Assistant Examiner* — Ania Aman

**1 Claim, 7 Drawing Sheets**



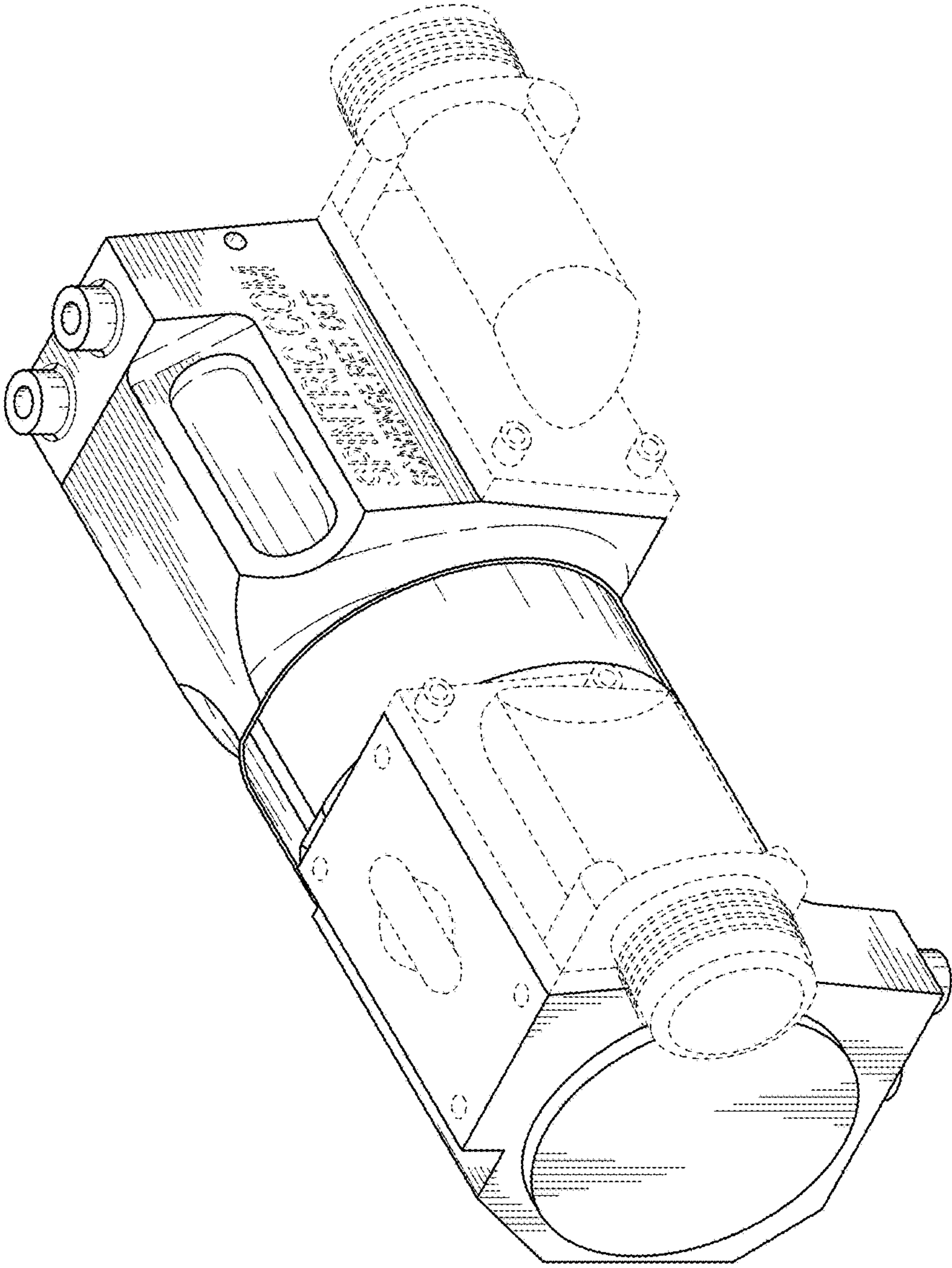


FIG. 1

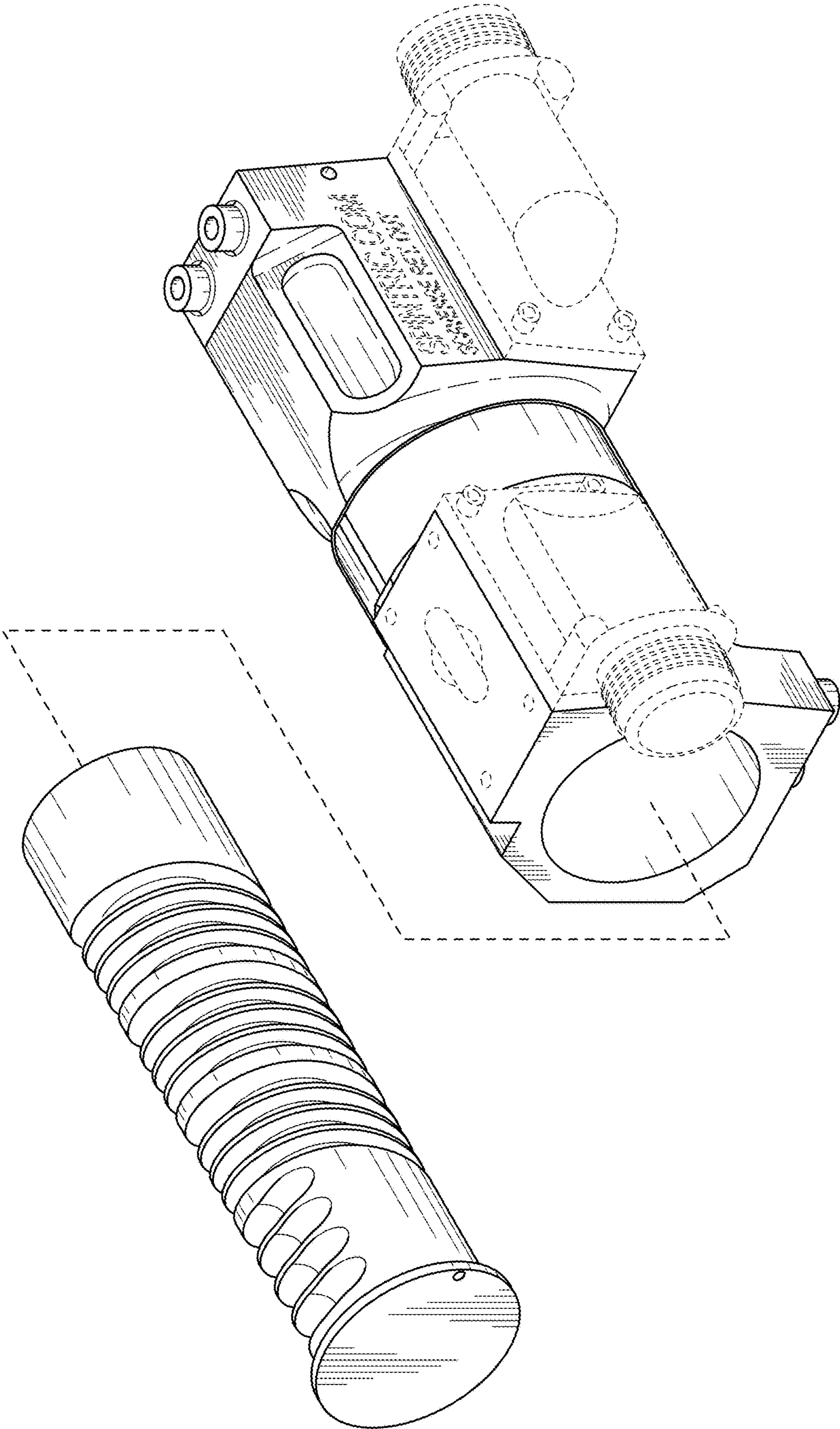


FIG. 2



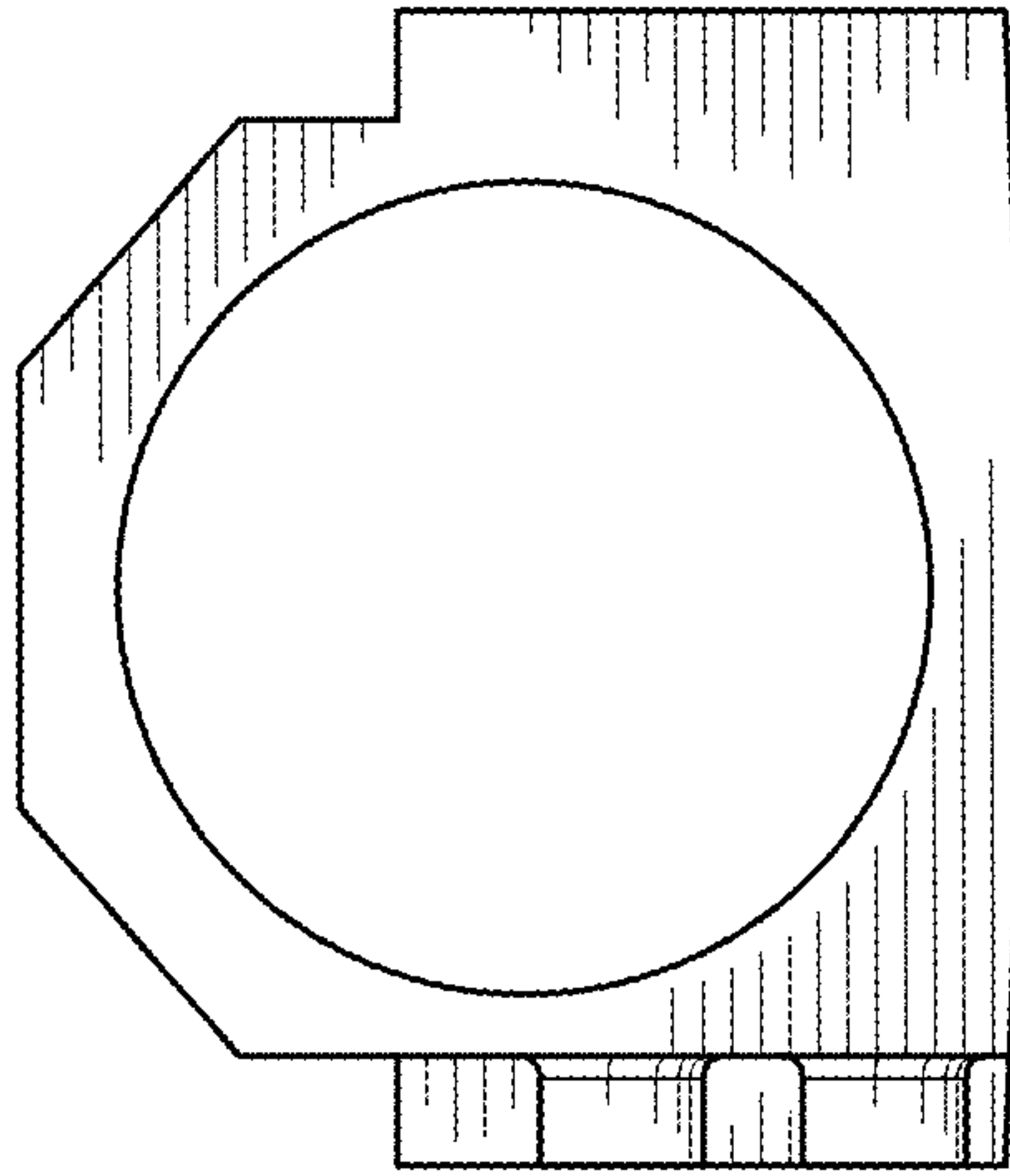


FIG. 3

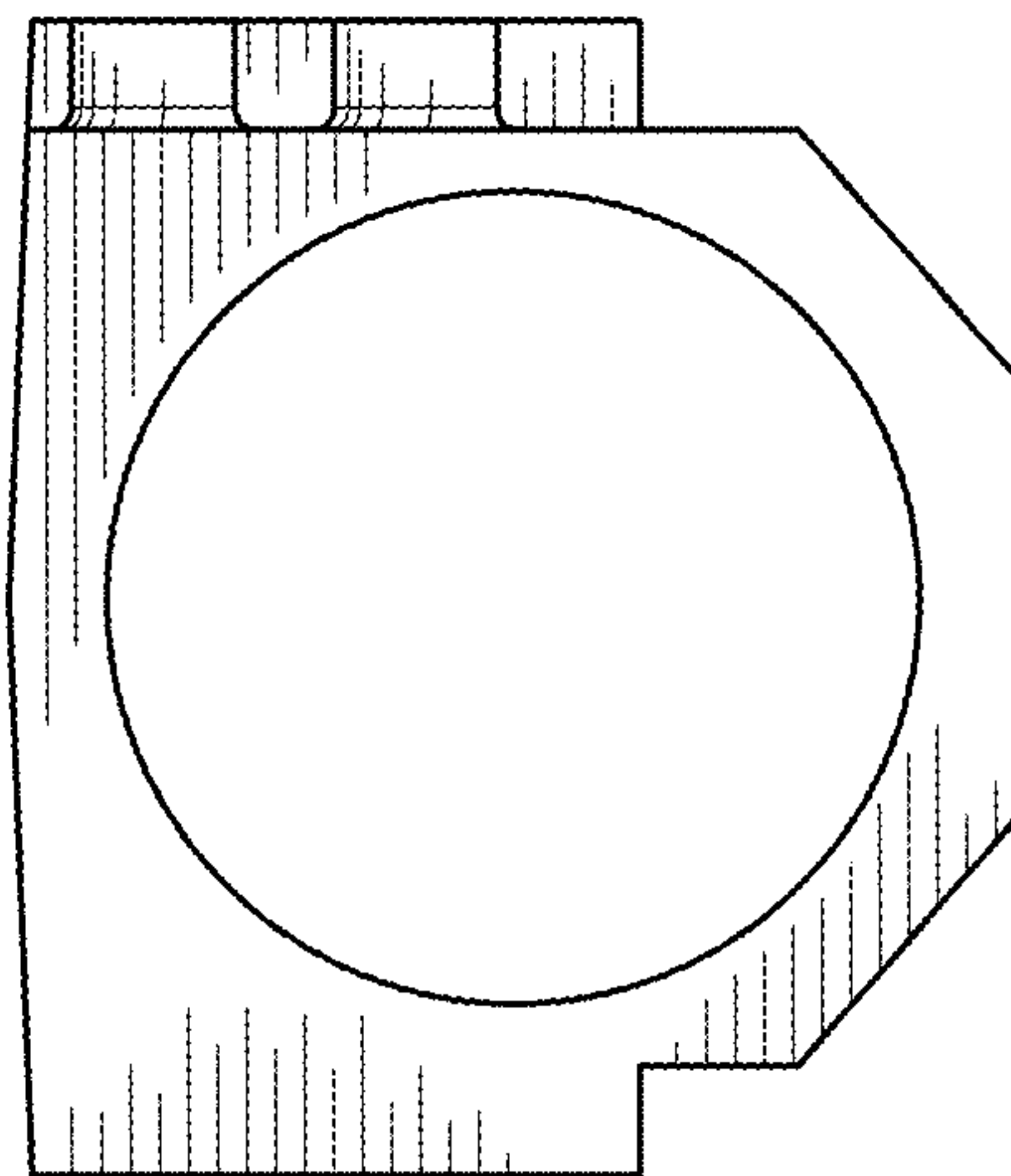


FIG. 4

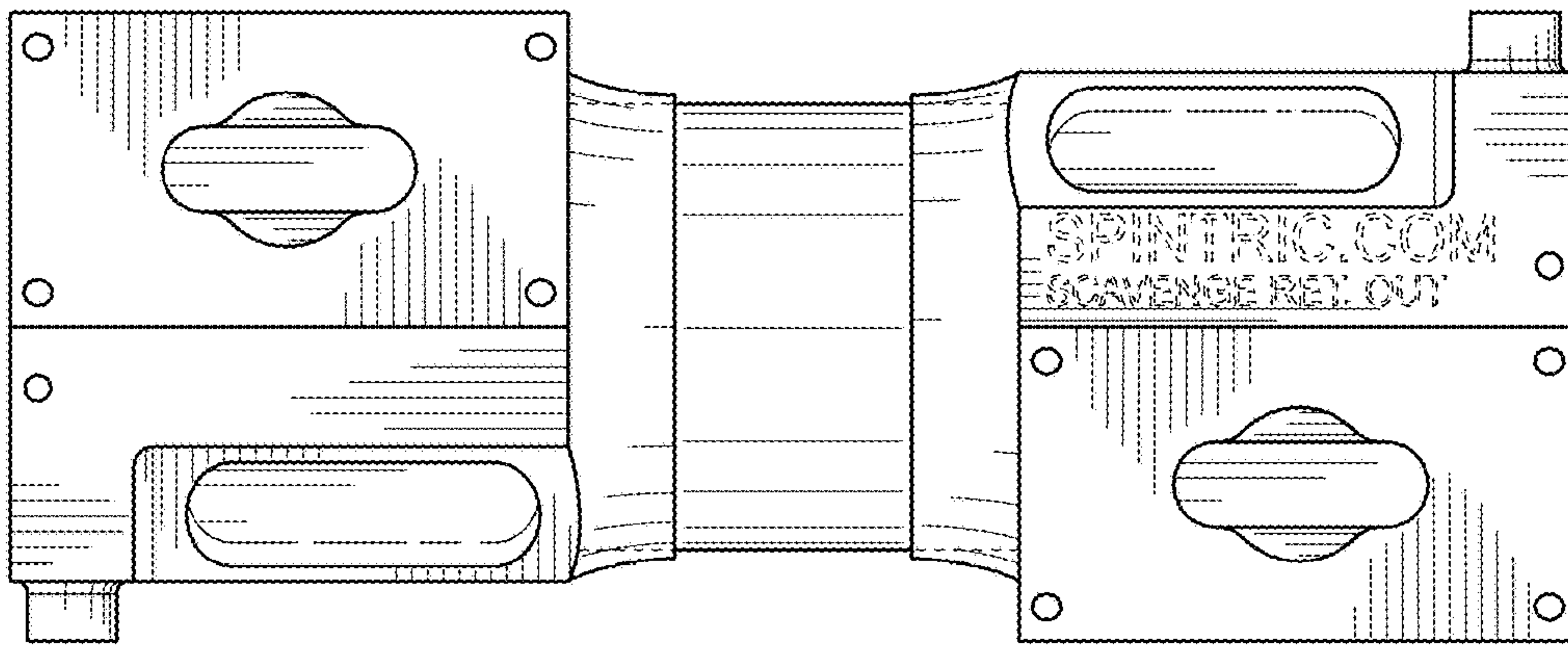


FIG. 5

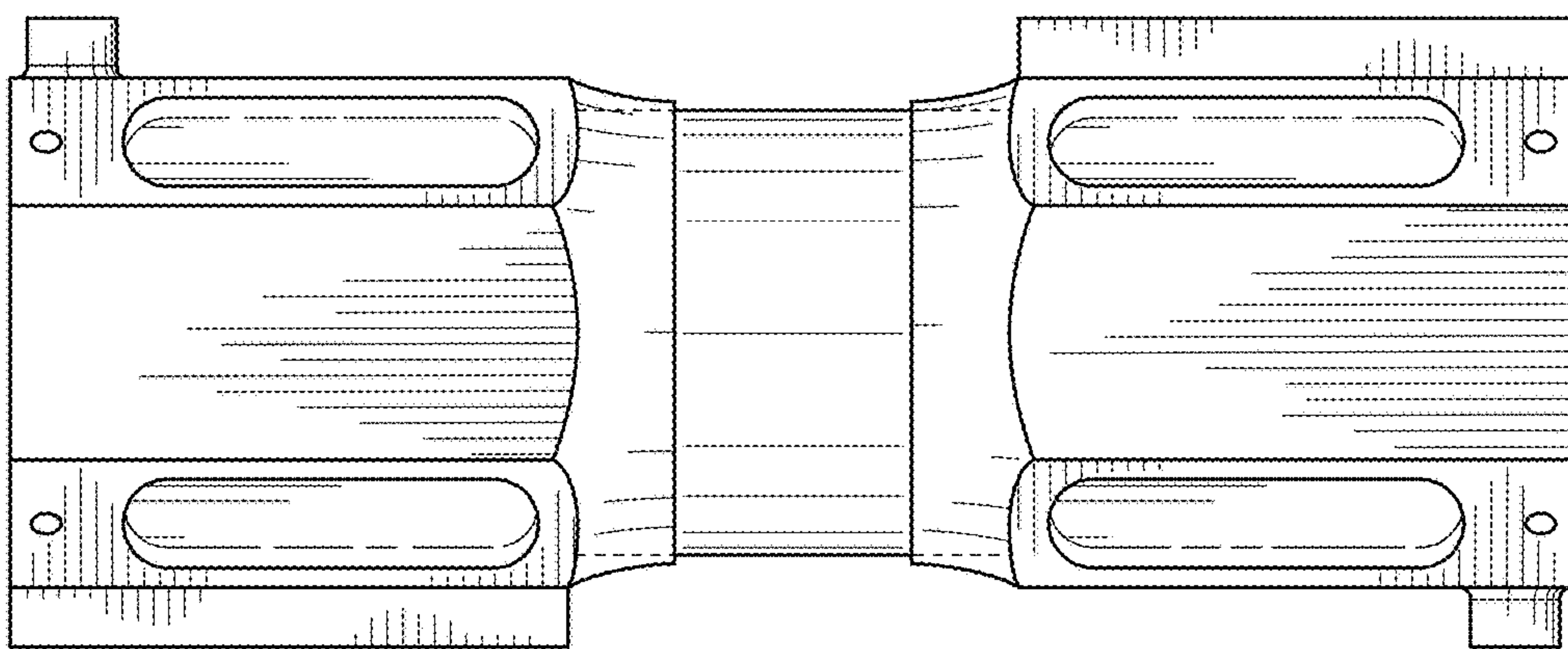


FIG. 6

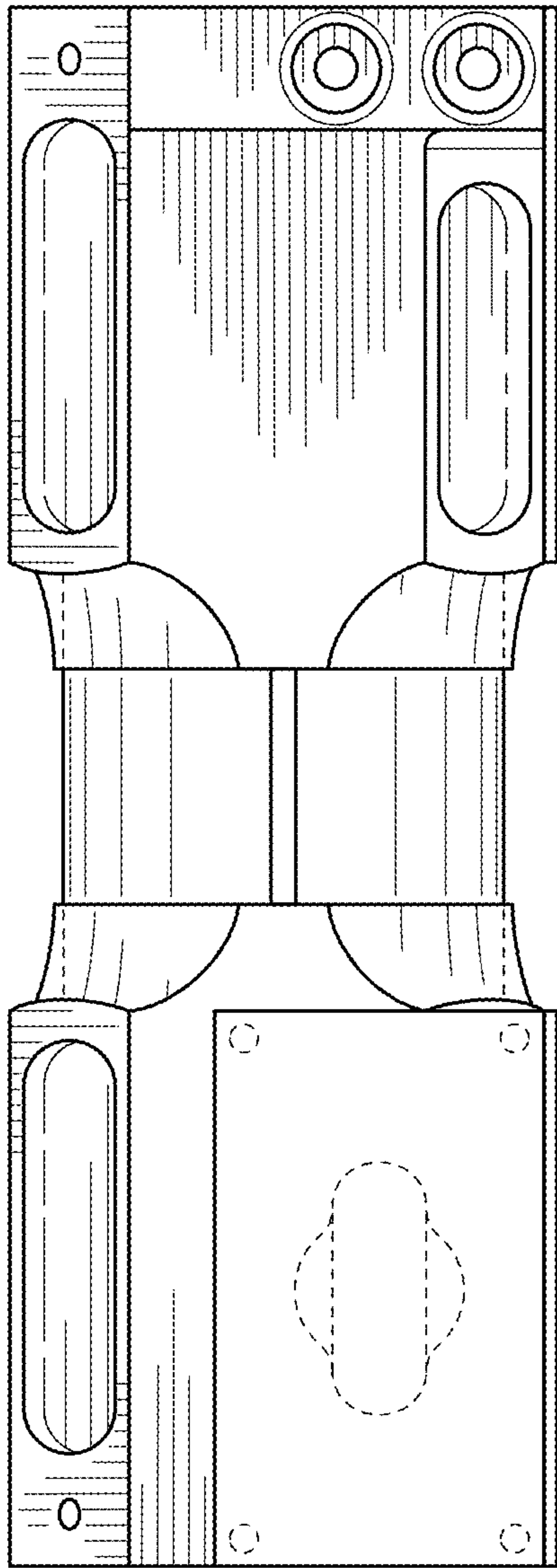


FIG. 7

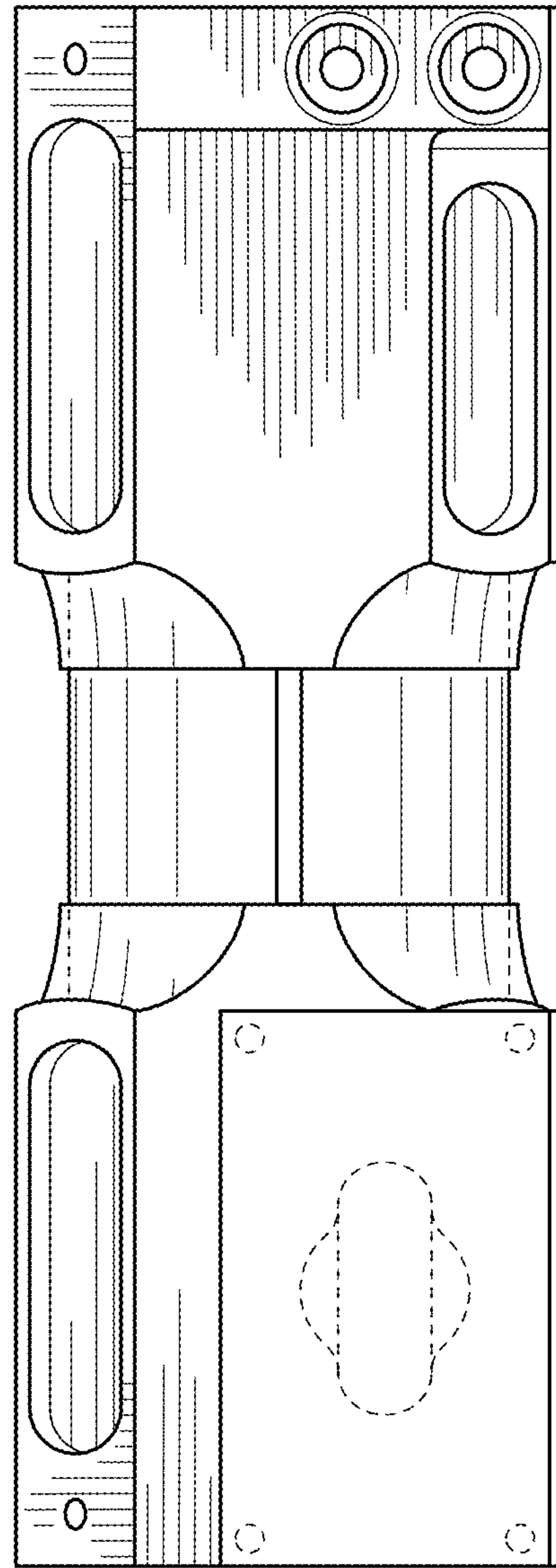


FIG. 8

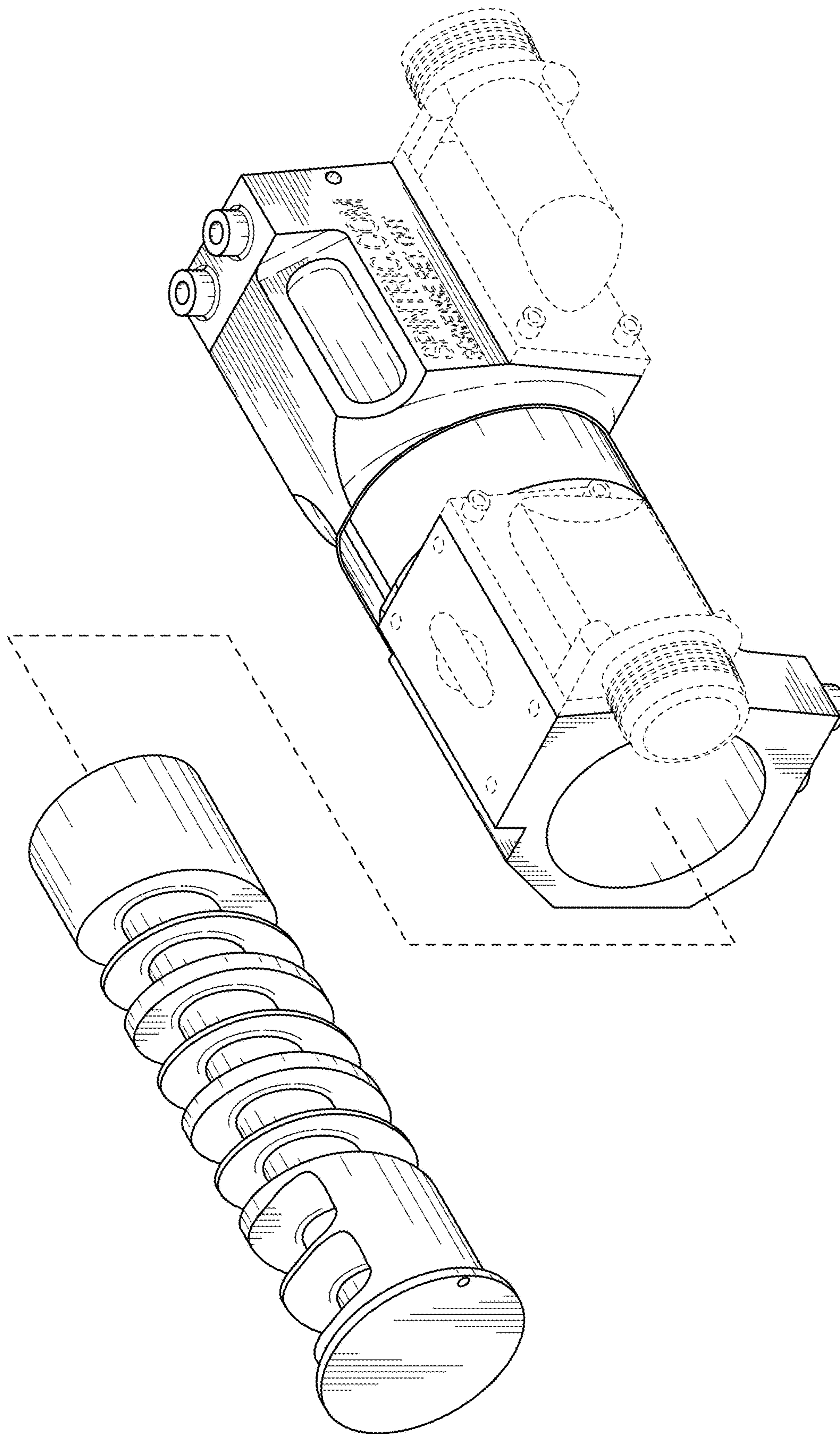


FIG. 9



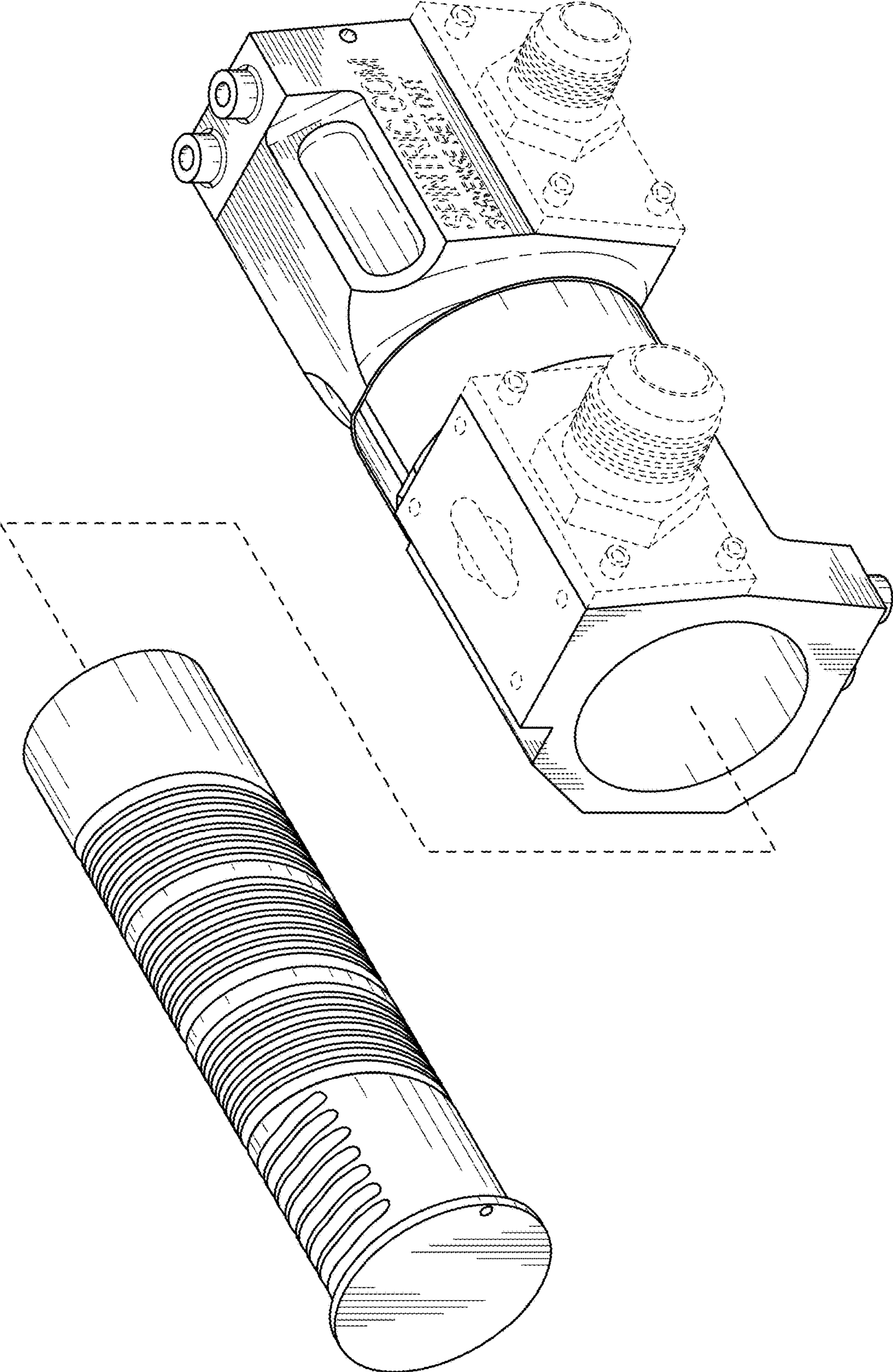


FIG. 10