



US00D796553S

(12) **United States Design Patent**  
**Tinius**

(10) **Patent No.:** **US D796,553 S**

(45) **Date of Patent:** **\*\* Sep. 5, 2017**

(54) **DRIVE UNIT**

(71) Applicant: **Andreas Stihl AG & Co. KG,**  
Waiblingen (DE)

(72) Inventor: **Michael Tinius,** Ulm (DE)

(73) Assignee: **Andreas Stihl AG & Co. KG,**  
Waiblingen (DE)

(\*\*) Term: **15 Years**

(21) Appl. No.: **29/567,851**

(22) Filed: **Jun. 13, 2016**

(30) **Foreign Application Priority Data**

Feb. 15, 2016 (EM) ..... 002986414-0002

(51) **LOC (10) Cl.** ..... **15-01**

(52) **U.S. Cl.**  
USPC ..... **D15/1**

(58) **Field of Classification Search**  
USPC ..... D15/1-5, 11, 12, 17, 14, 149;  
D32/15-19, 21, 25; D23/213, 383;  
D8/7, 8, 9

CPC ..... F01P 5/02; F01P 1/02; F01P 1/06; F01P  
2001/023; F02B 75/007; F02B 63/02;  
F02B 75/02; F02B 2075/022; F02B  
75/16; F02B 2075/025; F02B 75/18

See application file for complete search history.

(56) **References Cited**

**U.S. PATENT DOCUMENTS**

D416,265 S 11/1999 Kato et al.  
D589,056 S \* 3/2009 Matsuoka ..... D15/1

D598,935 S 8/2009 Kobayashi et al.  
D599,822 S 9/2009 Okuda  
D623,197 S 9/2010 Hotta et al.  
D638,856 S 5/2011 Koizumi et al.  
D644,664 S 9/2011 Sugiyama et al.  
D646,299 S 10/2011 Aruga et al.  
D653,509 S 2/2012 Tinius  
D667,024 S 9/2012 Taniguchi et al.  
D673,976 S 1/2013 Yuasa et al.  
D700,620 S \* 3/2014 Aruga ..... D15/1  
D704,741 S 5/2014 Tinius

\* cited by examiner

*Primary Examiner* — T. Chase Nelson

*Assistant Examiner* — Ania Aman

(74) *Attorney, Agent, or Firm* — McGuireWoods LLP

(57) **CLAIM**

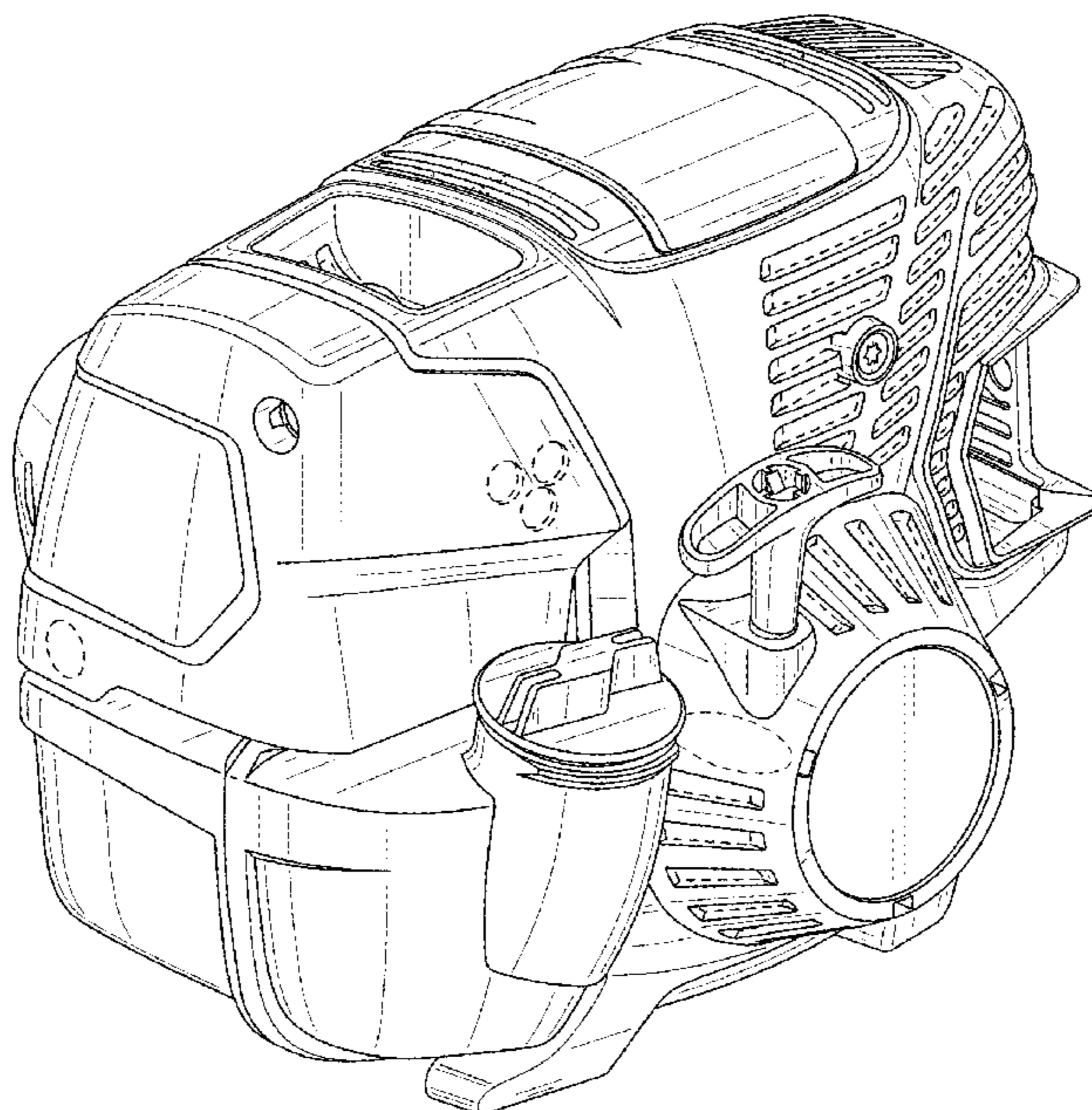
I claim the ornamental design for a drive unit, as shown and described.

**DESCRIPTION**

FIG. 1 is a right rear perspective view of the drive unit;  
FIG. 2 is a rear view of the drive unit shown in FIG. 1;  
FIG. 3 is a front view of the drive unit shown in FIG. 1;  
FIG. 4 is a right view of the drive unit shown in FIG. 1;  
FIG. 5 is a left side view of the drive unit shown in FIG. 1;  
FIG. 6 is a top side view of the drive unit shown in FIG. 1;  
and,

FIG. 7 is a bottom view of the drive unit shown in FIG. 1.  
The subject matter shown in dashed lines, and any surfaces  
of the design not shown, including interior surfaces, form no  
part of the claimed invention.

**1 Claim, 7 Drawing Sheets**



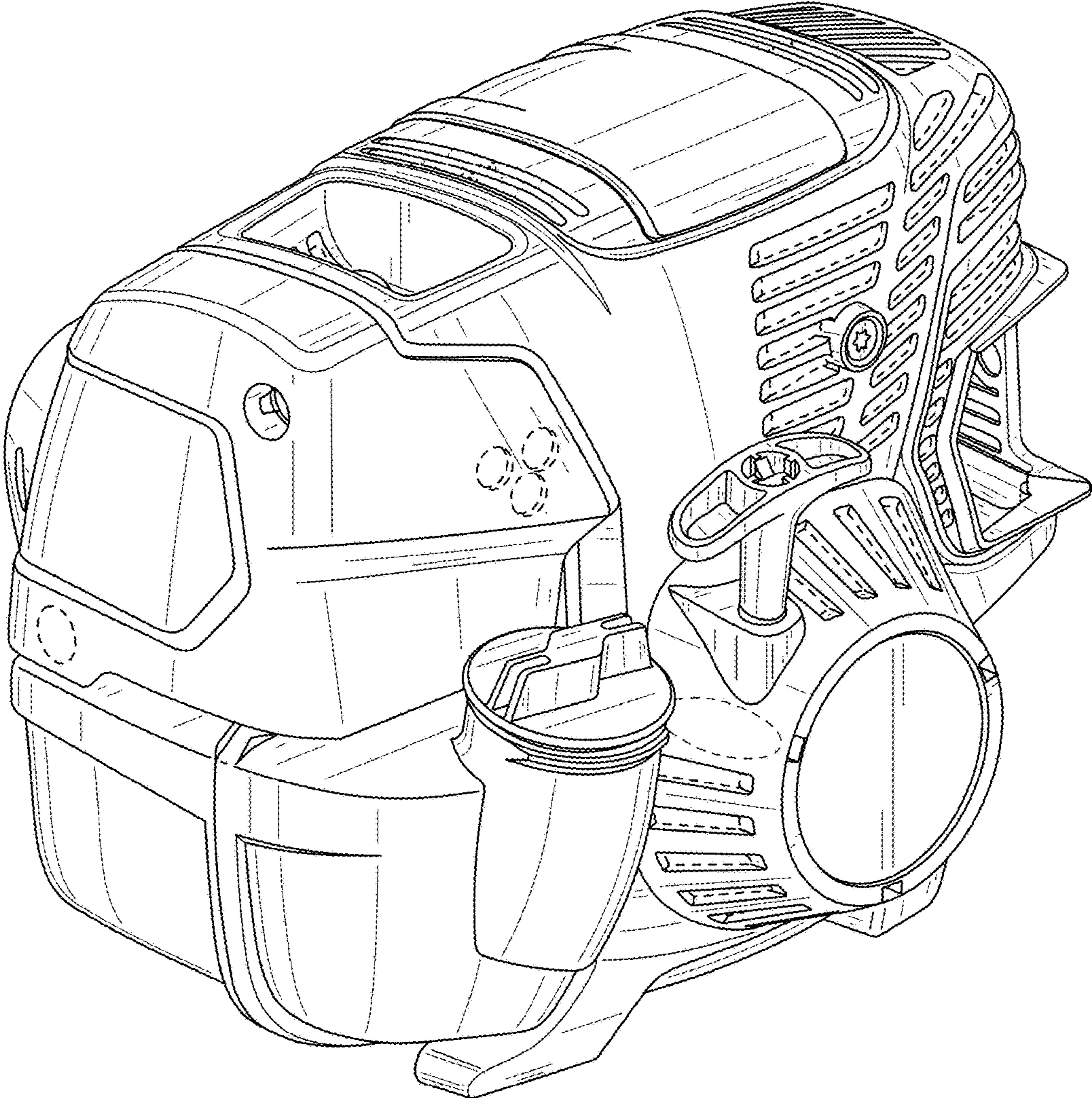


FIG. 1

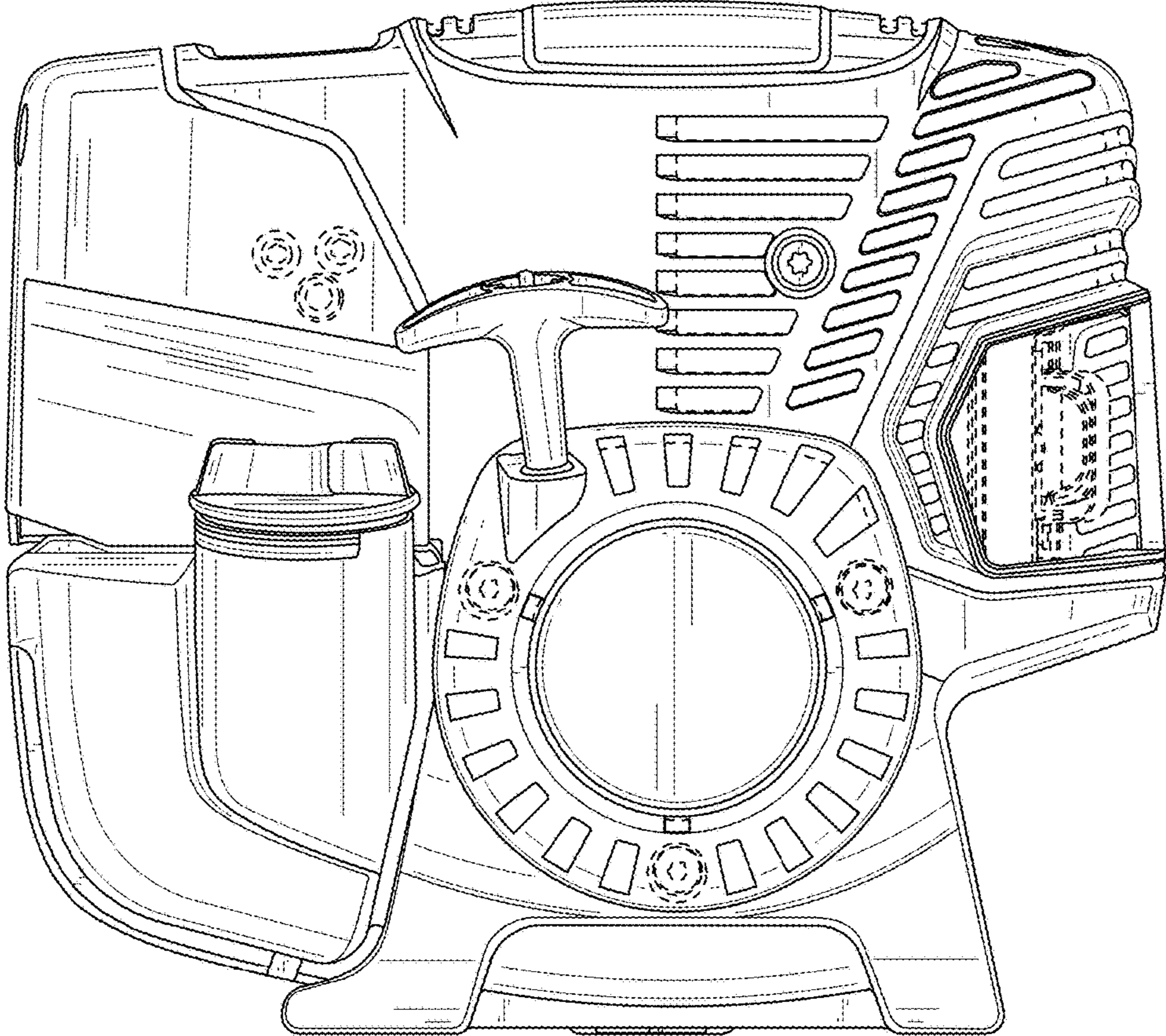


FIG. 2

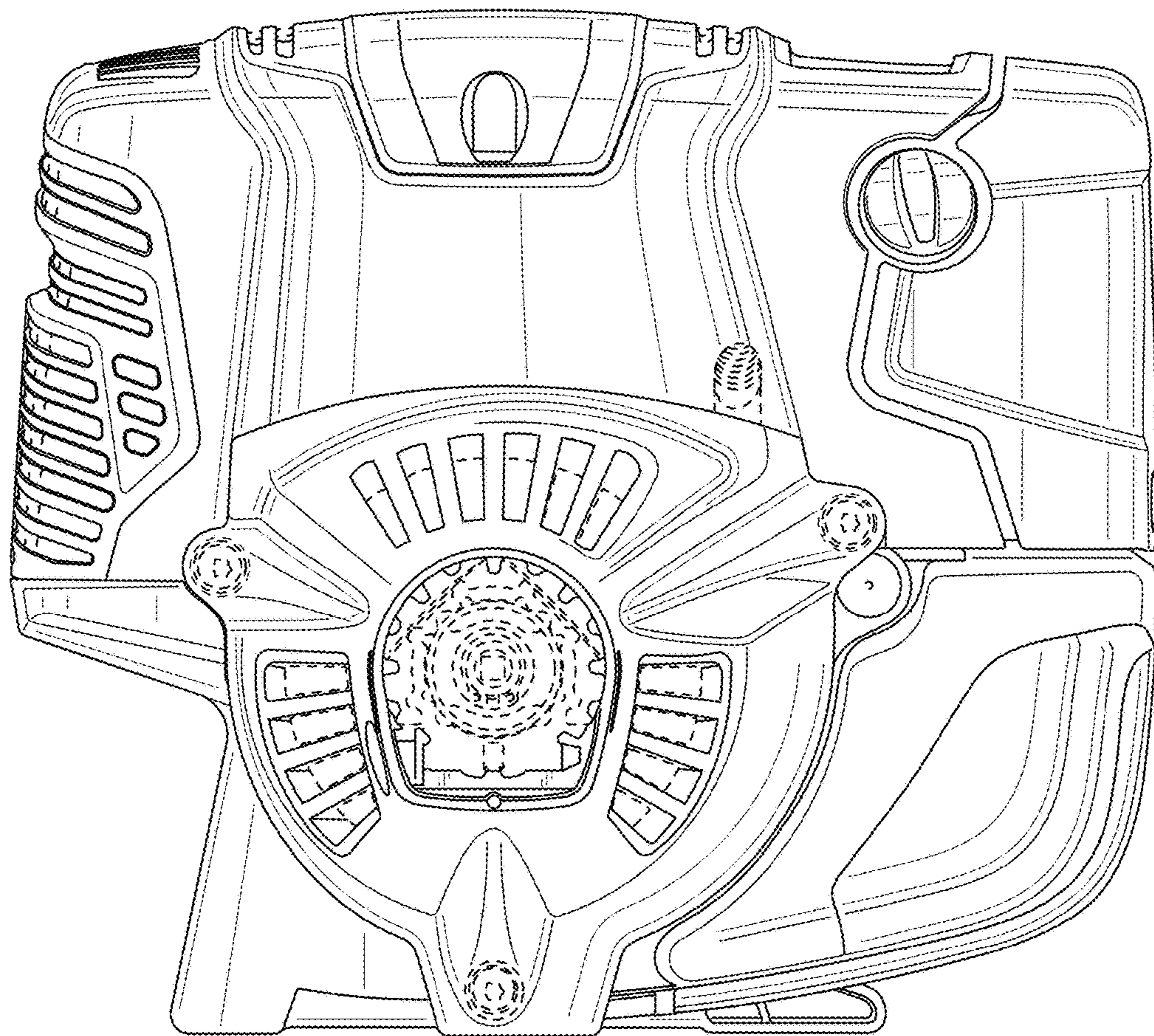


FIG. 3

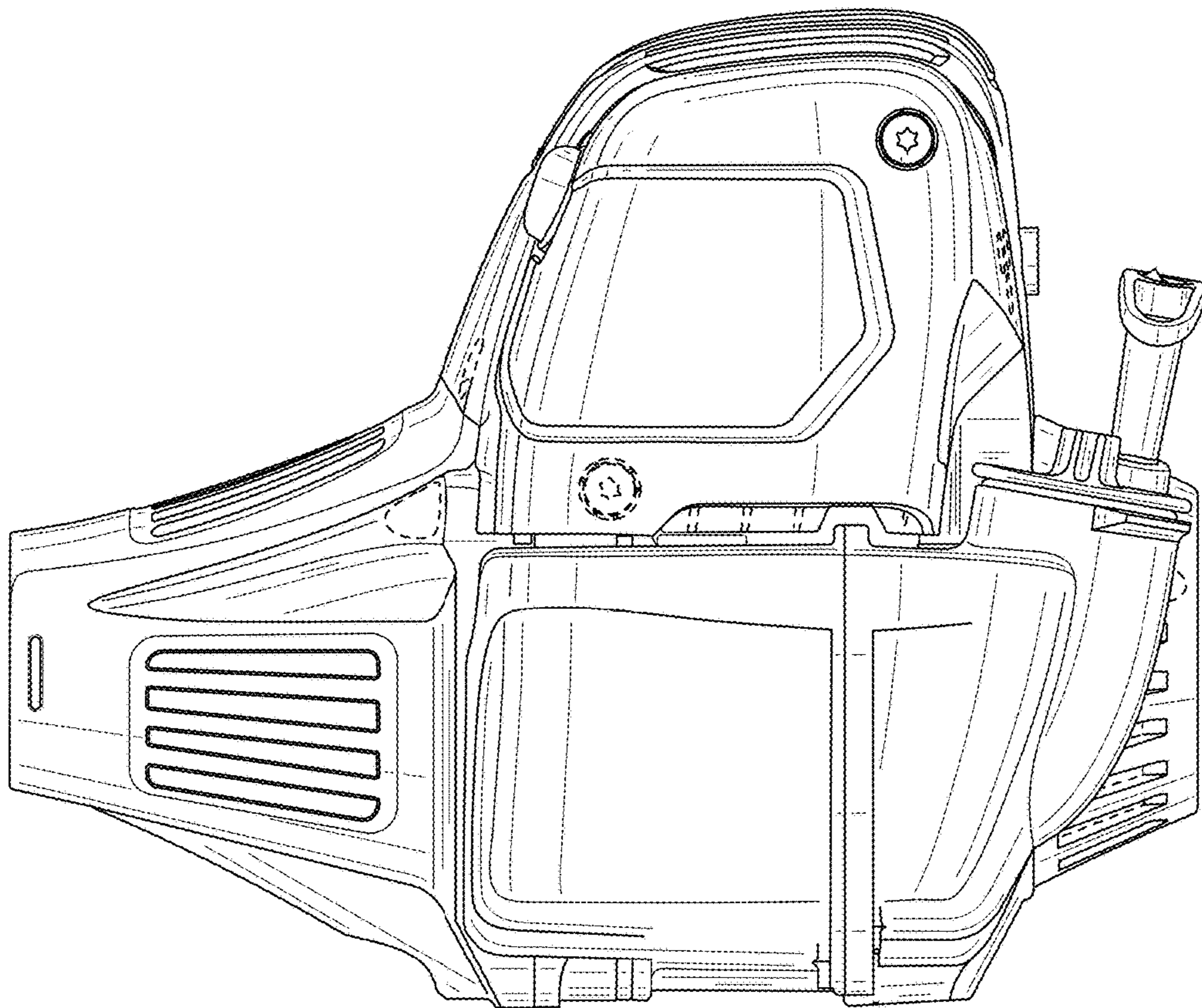


FIG. 4

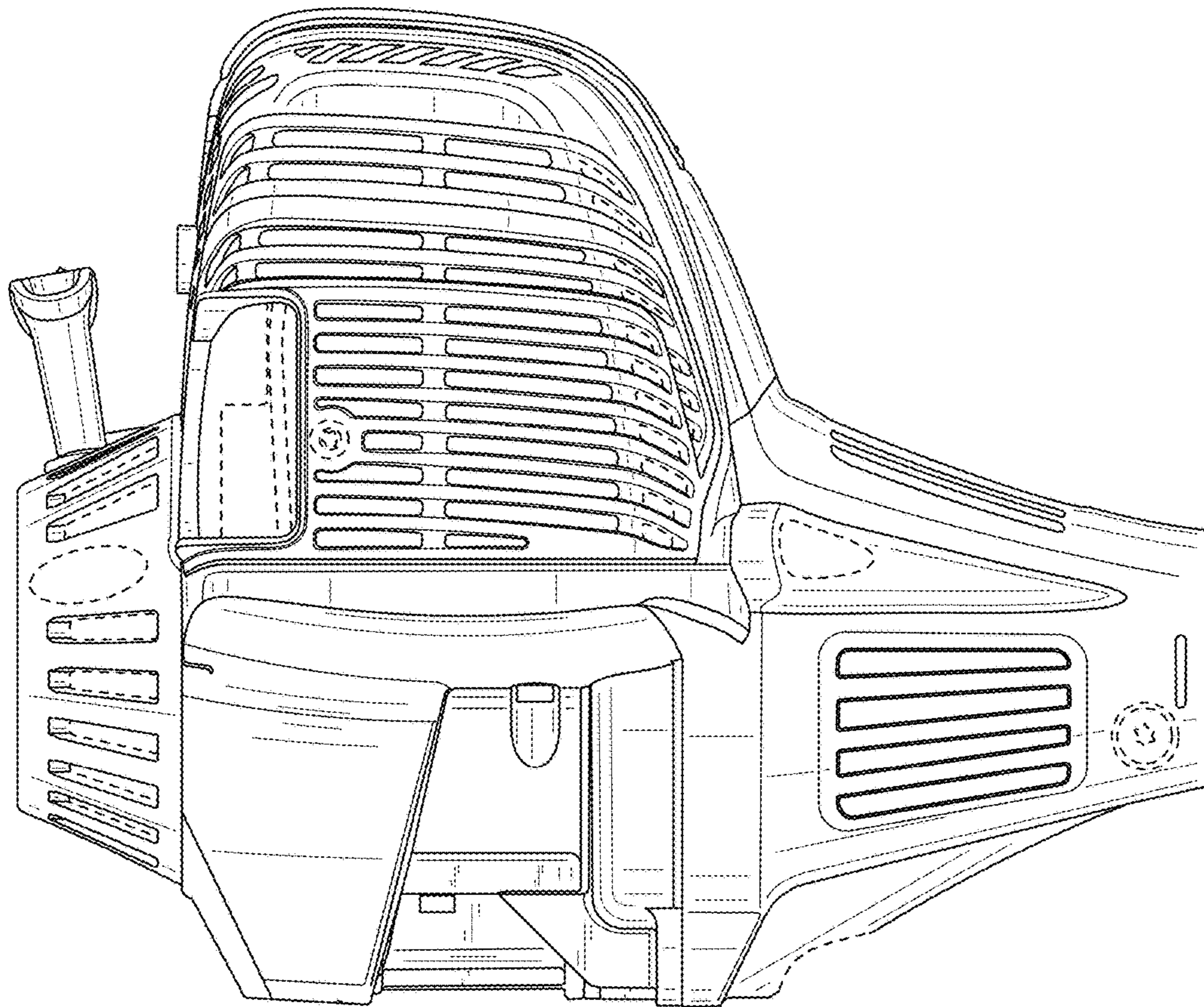


FIG. 5

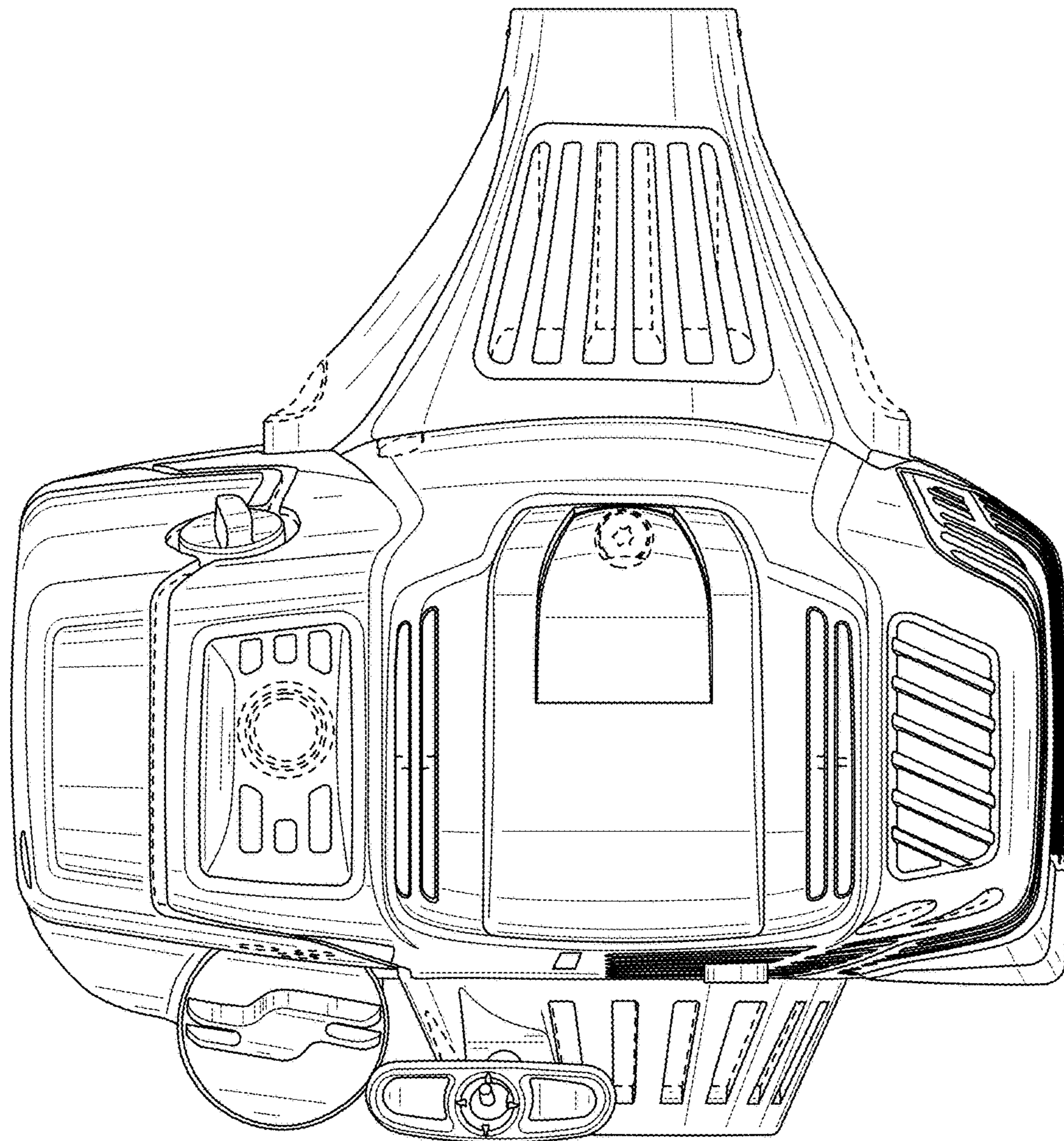


FIG. 6

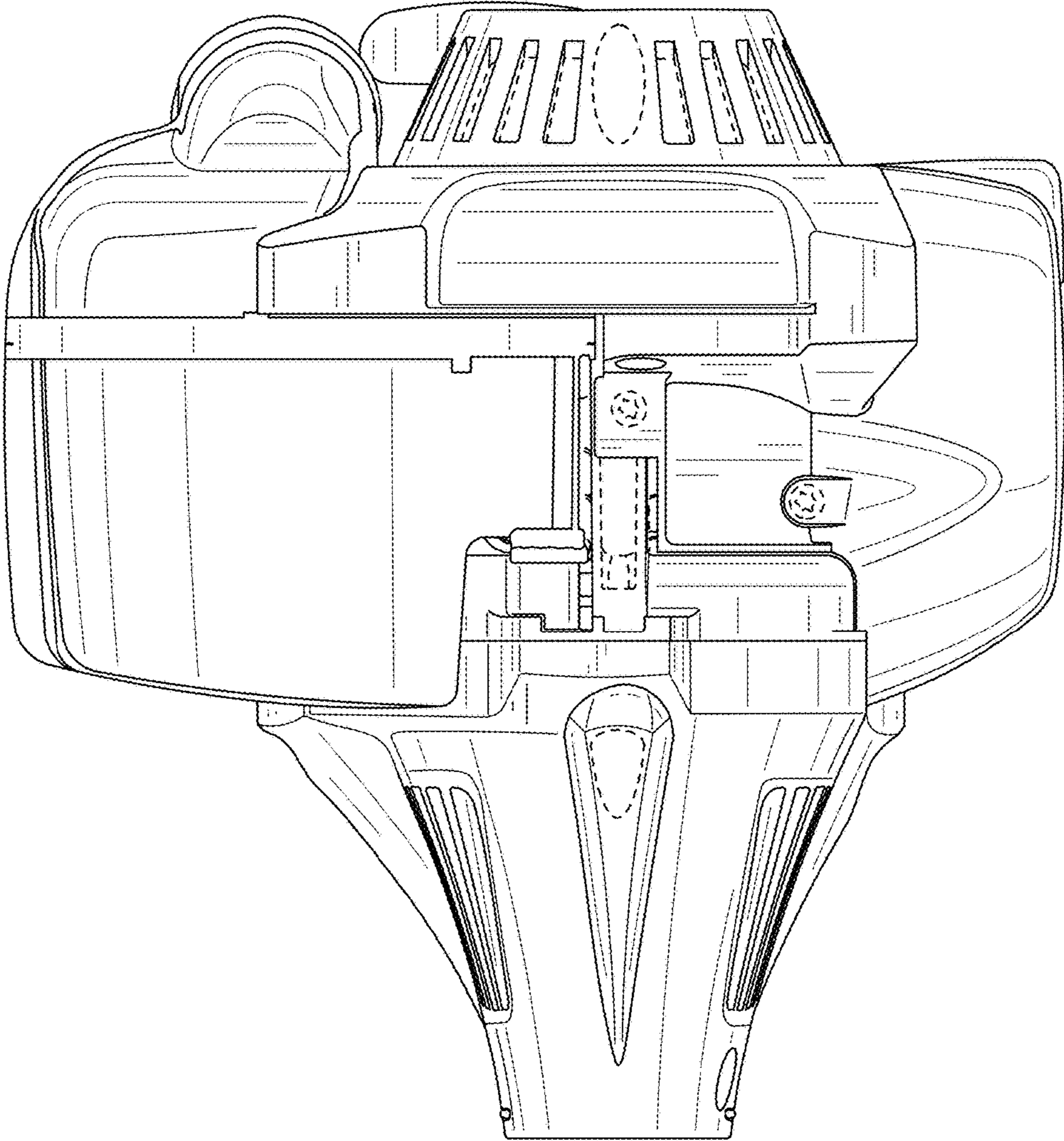


FIG. 7