



US00D796552S

(12) **United States Design Patent**
Tinius

(10) **Patent No.:** **US D796,552 S**

(45) **Date of Patent:** **** Sep. 5, 2017**

(54) **DRIVE UNIT**

(71) Applicant: **Andreas Stihl AG & Co. KG**,
Waiblingen (DE)

(72) Inventor: **Michael Tinius**, Ulm (DE)

(73) Assignee: **Andreas Stihl AG & Co. KG**,
Waiblingen (DE)

(**) Term: **15 Years**

(21) Appl. No.: **29/565,322**

(22) Filed: **May 19, 2016**

(30) **Foreign Application Priority Data**

Feb. 15, 2016 (EM) 002986414-0004

(51) **LOC (10) Cl.** **15-01**

(52) **U.S. Cl.**
USPC **D15/1**

(58) **Field of Classification Search**
USPC D15/1-5, 11, 12, 17, 14, 149;
D32/15-19, 21, 25; D23/213, 383;
D8/7, 8, 9

CPC F01P 5/02; F01P 1/02; F01P 1/06; F01P
2001/023; F02B 75/007; F02B 63/02;
F02B 75/02; F02B 2075/022; F02B
75/16; F02B 2075/025; F02B 75/18

See application file for complete search history.

(56) **References Cited**

U.S. PATENT DOCUMENTS

D355,198 S * 2/1995 Kikuchi D15/1
D416,265 S 11/1999 Kato et al.
D482,942 S * 12/2003 Ohi D8/8

D598,935 S 8/2009 Kobayashi et al.
D599,822 S 9/2009 Okuda
D605,910 S * 12/2009 Tinius D8/8
D623,197 S 9/2010 Hotta et al.
D625,159 S * 10/2010 Tinius D8/8
D638,856 S 5/2011 Koizumi et al.
D644,664 S 9/2011 Sugiyama et al.
D646,299 S 10/2011 Aruga et al.
D653,509 S 2/2012 Tinius
D662,795 S * 7/2012 Naas D8/8
D664,407 S * 7/2012 Naas D8/8
D667,024 S 9/2012 Taniguchi et al.
D672,624 S * 12/2012 Naas D8/8
D673,976 S 1/2013 Yuasa et al.
D704,741 S 5/2014 Tinius

* cited by examiner

Primary Examiner — T. Chase Nelson

Assistant Examiner — Ania Aman

(74) *Attorney, Agent, or Firm* — McGuireWoods LLP

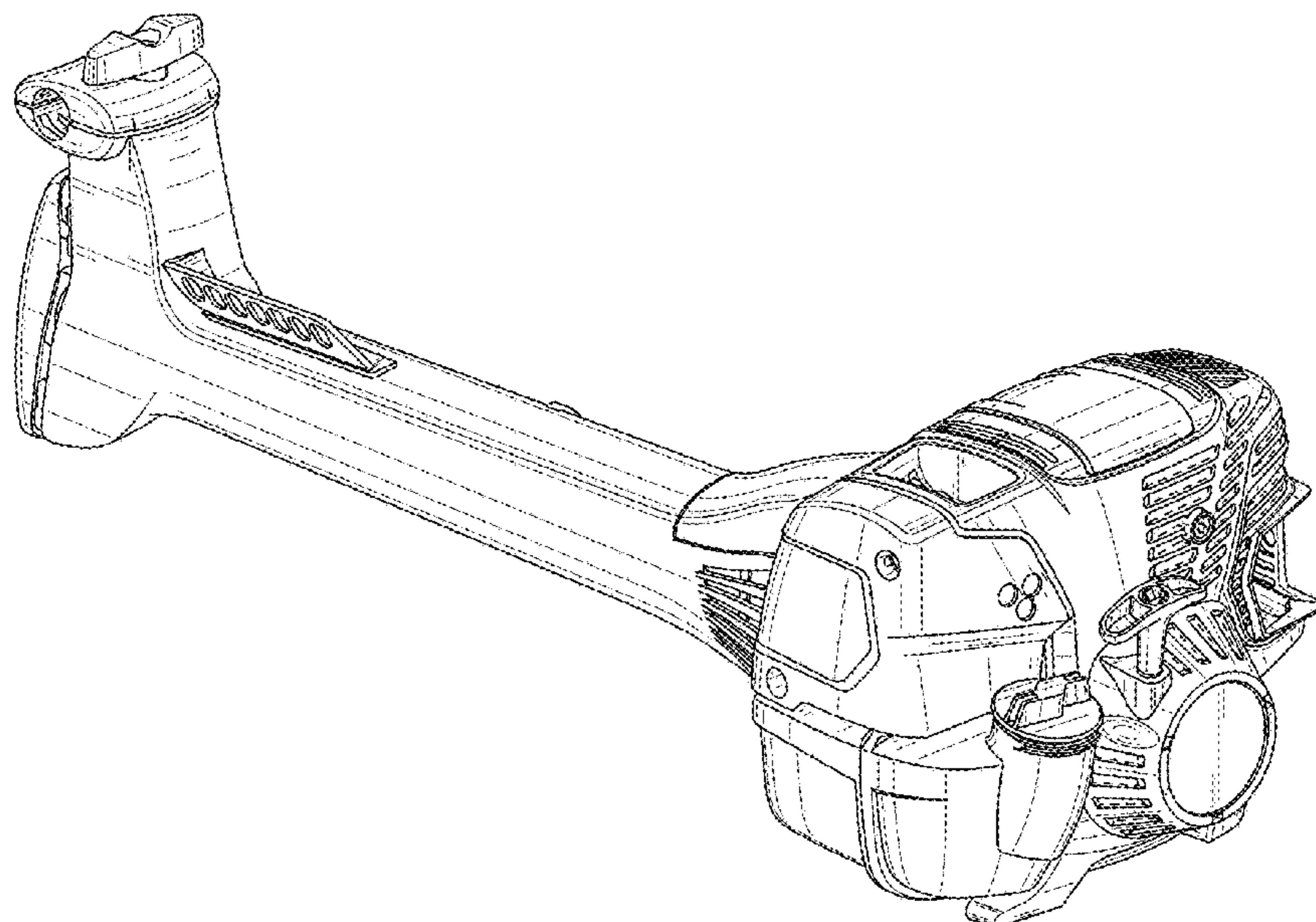
(57) **CLAIM**

I claim the ornamental design for a drive unit, as shown and described.

DESCRIPTION

FIG. 1 is a right perspective view of the drive unit;
FIG. 2 is a rear view of the drive unit shown in FIG. 1;
FIG. 3 is a front view of the drive unit shown in FIG. 1;
FIG. 4 is a right view of the drive unit shown in FIG. 1;
FIG. 5 is a left side view of the drive unit shown in FIG. 1;
FIG. 6 is a top side view of the drive unit shown in FIG. 1;
and,
FIG. 7 is a bottom view of the drive unit shown in FIG. 1.
The subject matter shown in dashed lines, and any surfaces of the design not shown, including interior surfaces, form no part of the claimed invention.

1 Claim, 6 Drawing Sheets



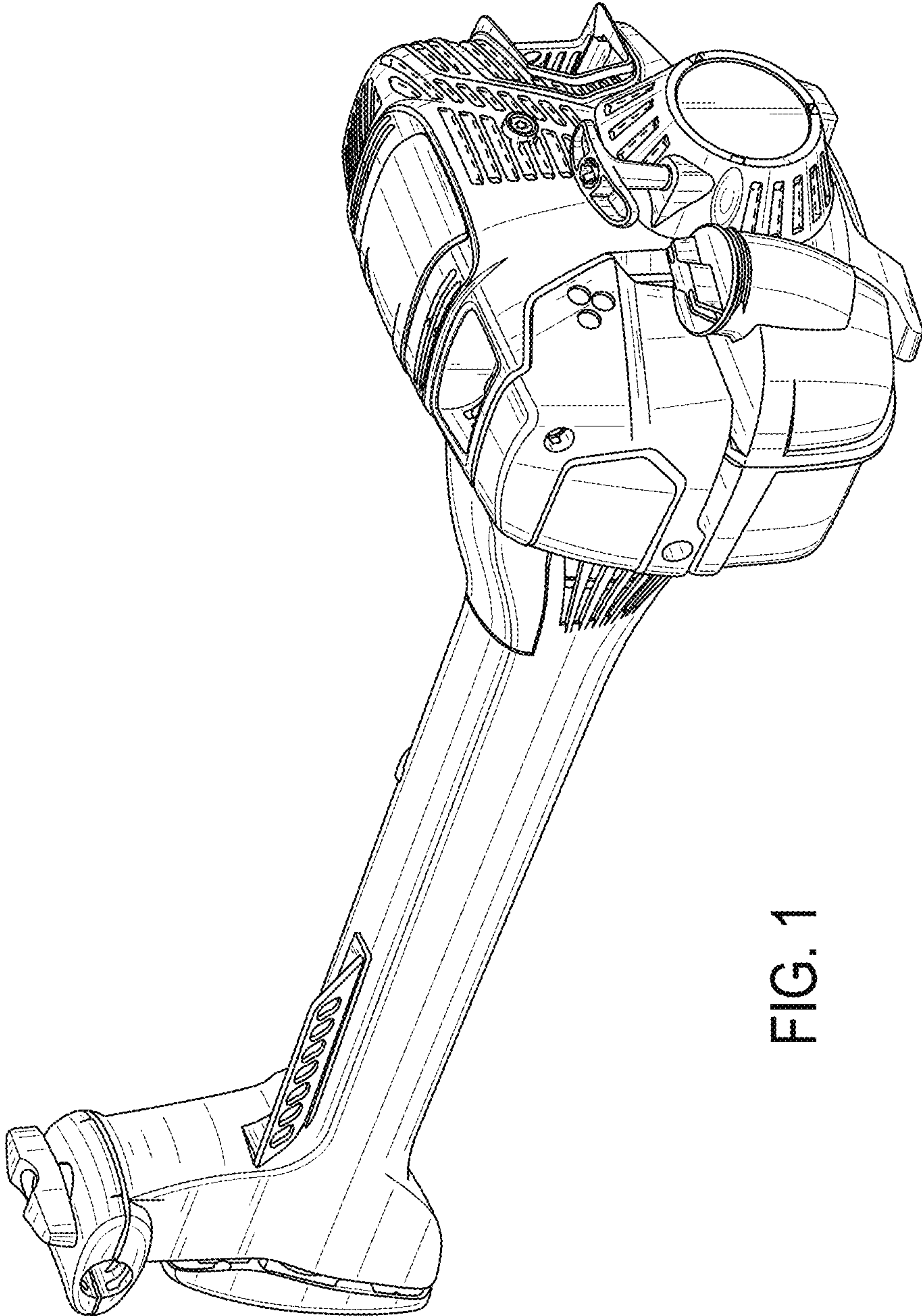


FIG. 1

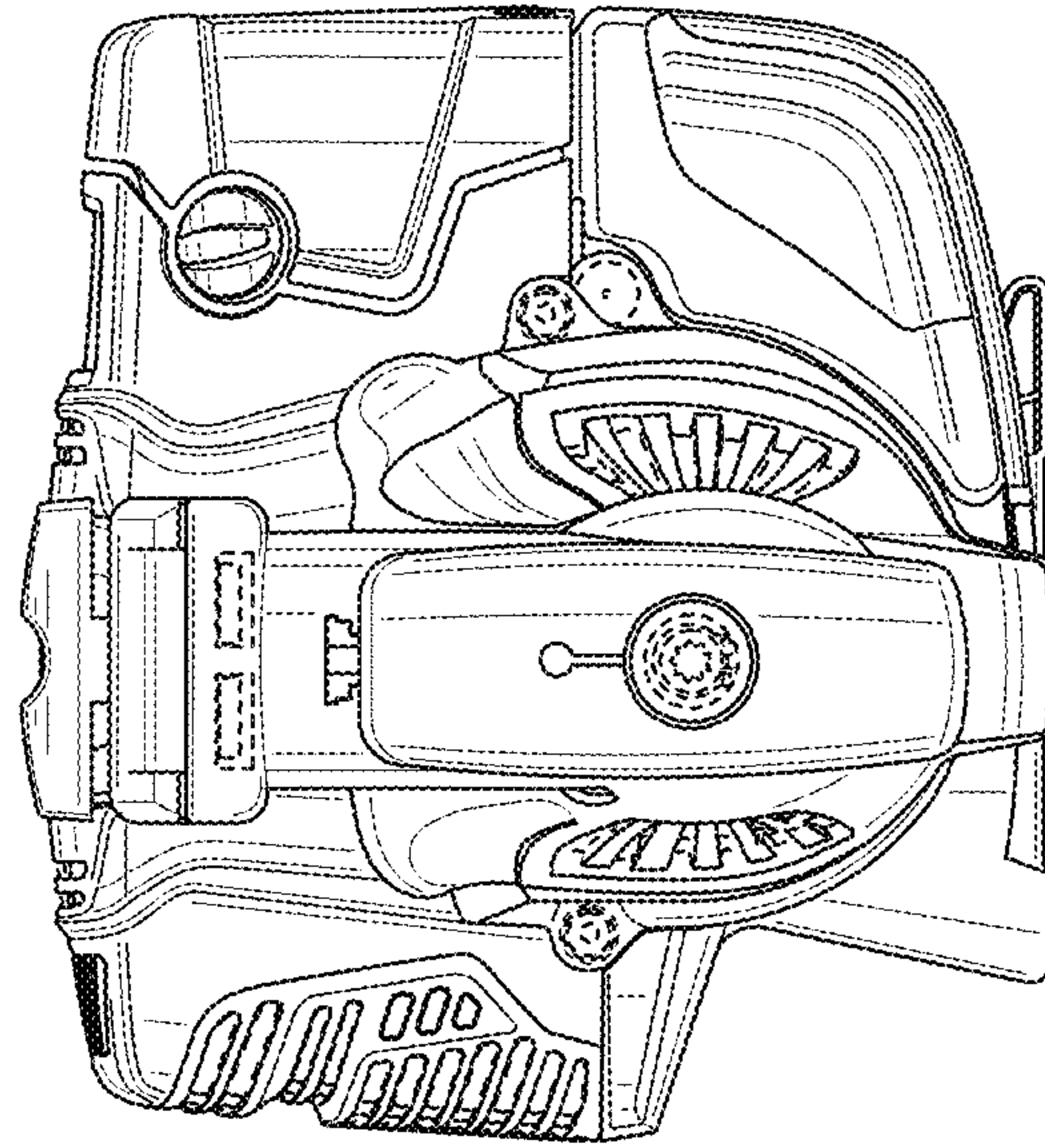


FIG. 3

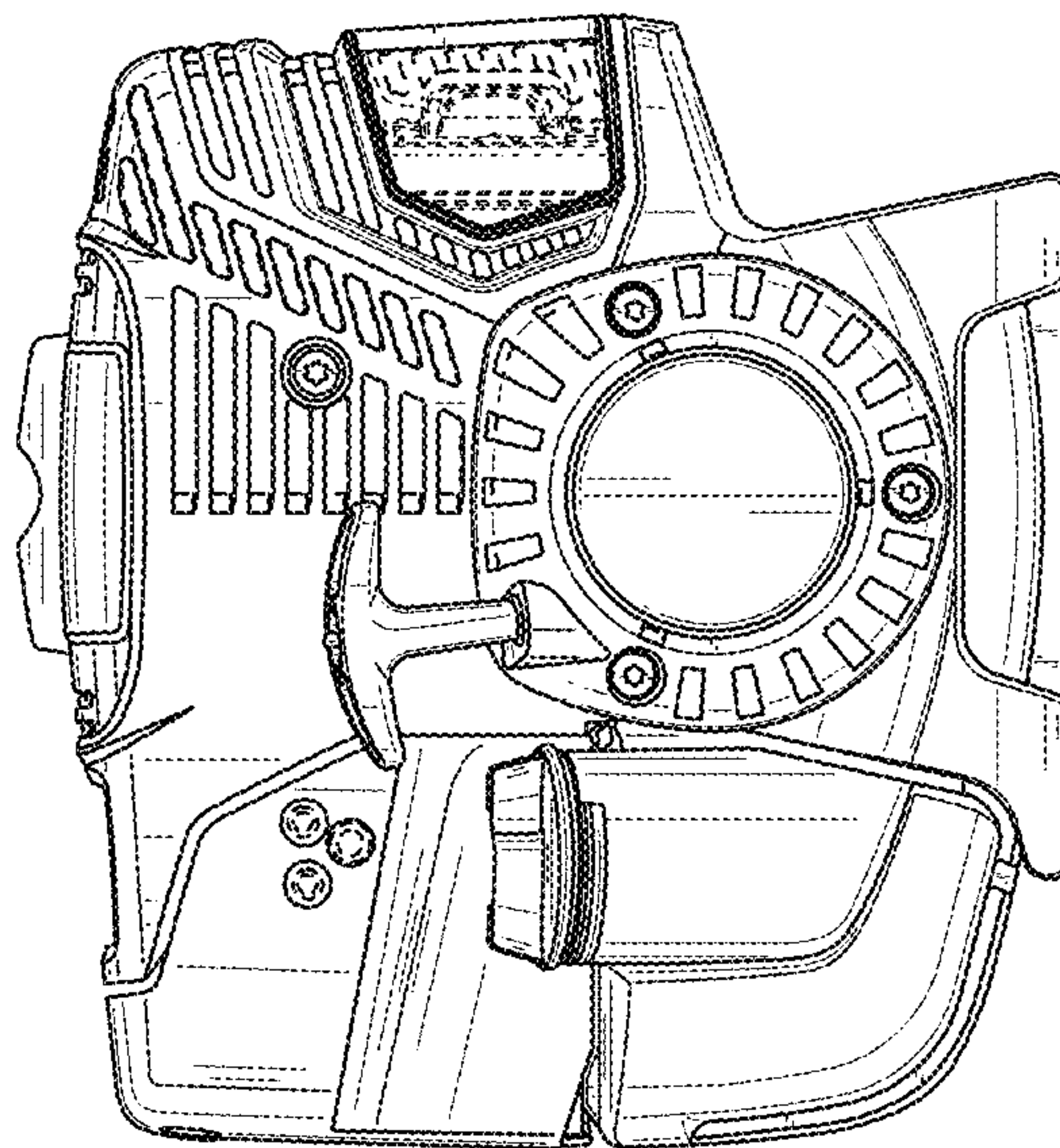


FIG. 2

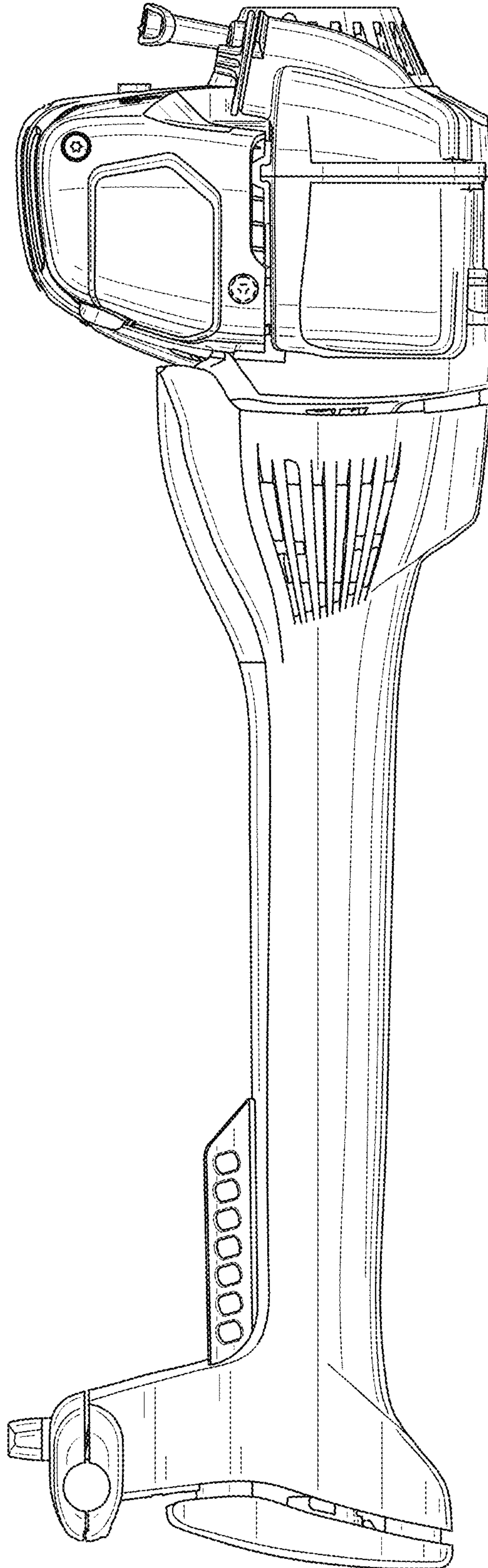


FIG. 4

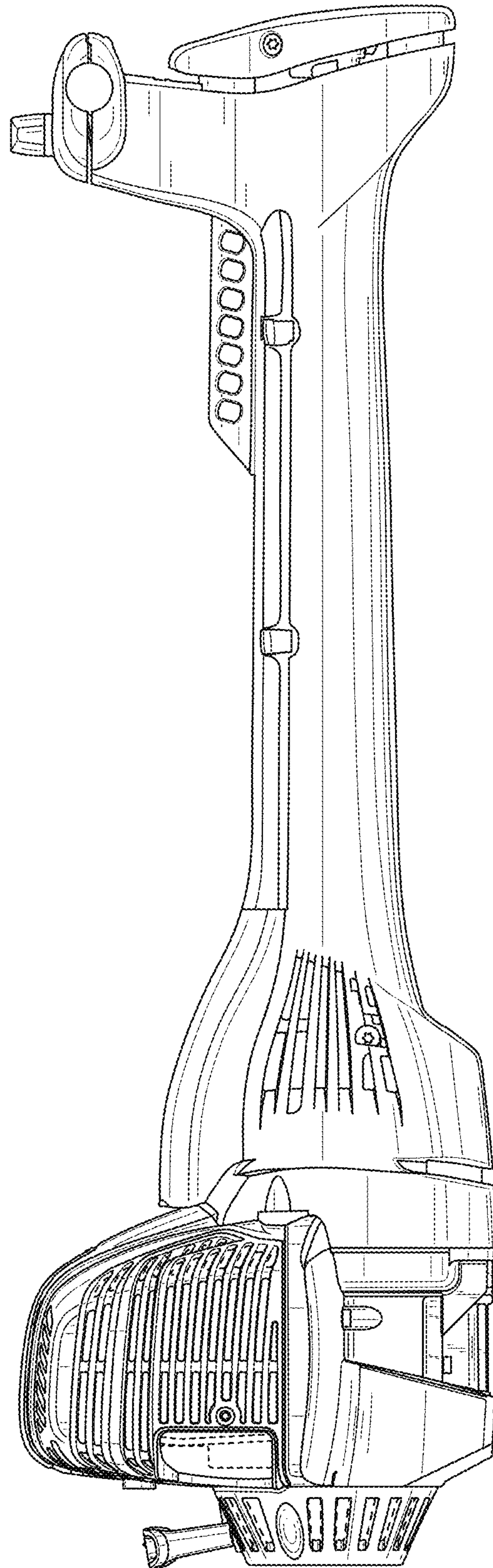


FIG. 5

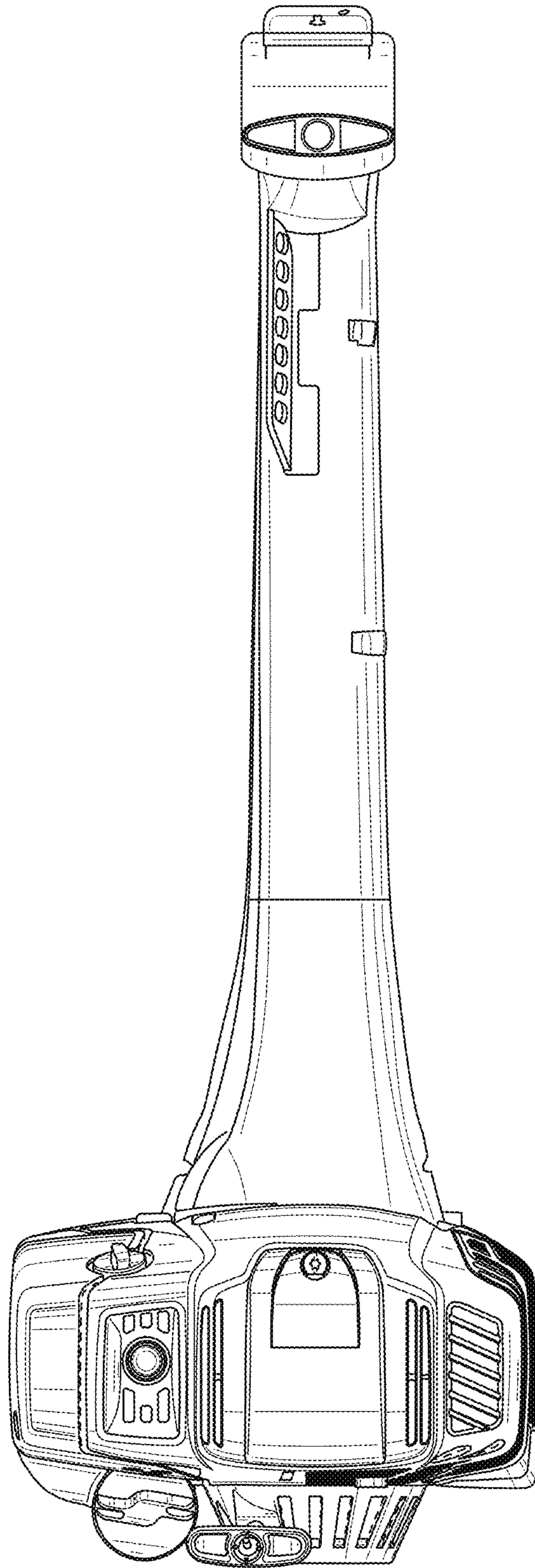


FIG. 6

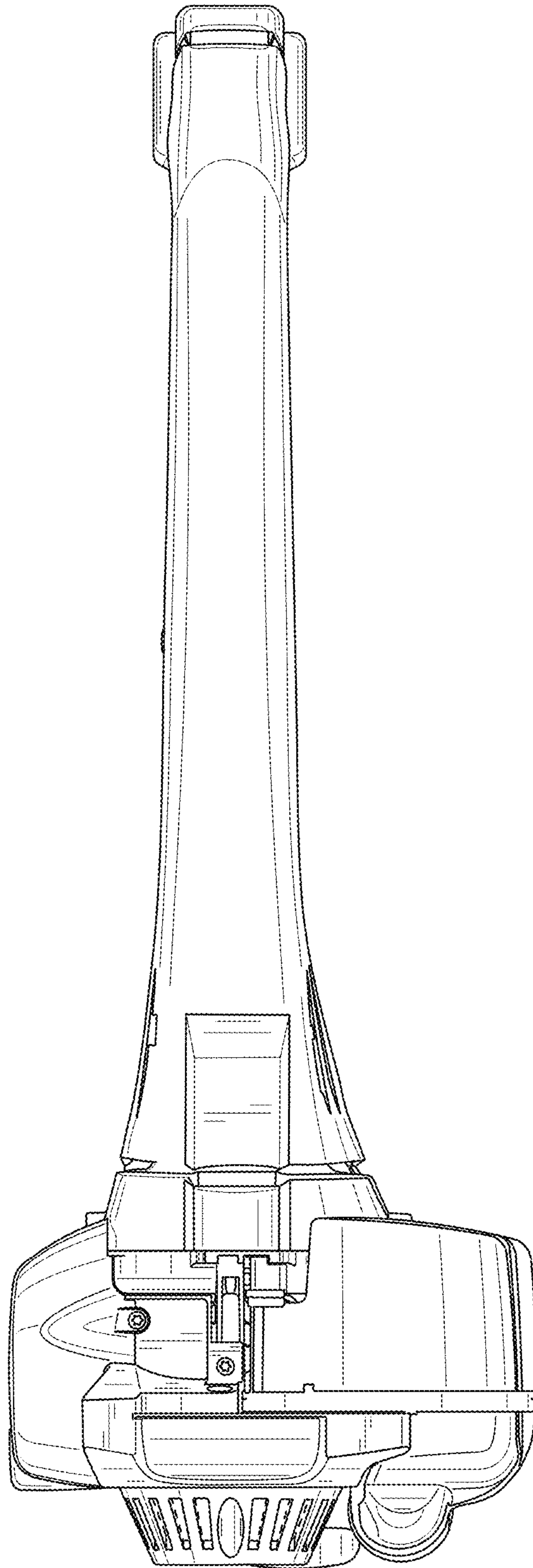


FIG. 7