



US00D796547S

(12) **United States Design Patent** (10) **Patent No.:** **US D796,547 S**
Broughton et al. (45) **Date of Patent:** **** Sep. 5, 2017**

(54) **DISPLAY SCREEN OR PORTION THEREOF WITH GRAPHICAL USER INTERFACE**

(56) **References Cited**

(71) Applicant: **Apple Inc.**, Cupertino, CA (US)
(72) Inventors: **Lee Broughton**, Santa Cruz, CA (US);
Kevin Will Chen, Sunnyvale, CA (US);
Alan C. Dye, San Francisco, CA (US);
Christopher Wilson, San Francisco, CA (US);
Eric Lance Wilson, San Jose, CA (US)

U.S. PATENT DOCUMENTS

D437,792 S 2/2001 Glauser
D568,178 S 5/2008 Giannini
D628,911 S 12/2010 Giannini
(Continued)

FOREIGN PATENT DOCUMENTS

JP D1307826 8/2007

(73) Assignee: **Apple Inc.**, Cupertino, CA (US)

(**) Term: **15 Years**

(21) Appl. No.: **29/567,732**

(22) Filed: **Jun. 11, 2016**

(51) **LOC (10) Cl.** **14-04**

(52) **U.S. Cl.**
USPC **D14/492**

(58) **Field of Classification Search**
USPC D14/485-495; 345/1.1, 1.2, 2.1-2.3, 3.1,
345/902; 715/763, 810, 836, 837, 846,
715/847, 977; D10/39, 125-126
CPC G06F 3/048; G06F 3/0481; G06F 3/04812;
G06F 3/04817; G06F 3/0482; G06F
3/0483; G06F 3/0484; G06F 3/04847;
G06F 3/0485; G06F 3/04855; G06F
3/04886; G06Q 30/00; H03J 1/00; H03J
1/0008; H03J 1/0016; H03J 1/0025;
H04N 5/00; H04N 5/08; H04N 5/14;
H04N 5/222; H04N 5/225; H04N 5/232;
H04N 5/445; H04N 5/44543; H04N 5/45;
H04N 2005/44517; H04N 2005/44521;
H04N 2005/44526; H04N 2005/4453;
H04N 2005/44534; H04N 2005/44539;
H04N 2005/44547; H04N 2005/44556;
H04N 2005/4456; H04N 2005/44565;
H04N 2005/44569; H04N 2005/44573;
H04N 21/00; H04N 21/234; H04N
21/431; H04N 21/4312; H04N 21/4314;
H04N 21/4316

See application file for complete search history.

OTHER PUBLICATIONS

“Hybrid Apple Watch Thin v.3.” facerepo.com. Uploaded Nov. 12, 2015. Accessed Jun. 4, 2017. Available online at URL: <https://facerepo.com/app/faces/details/hybrid-apple-watch-thin-v-3-150fec19e72>.*

(Continued)

Primary Examiner — Cathron Brooks
Assistant Examiner — Christian P McLean
(74) *Attorney, Agent, or Firm* — Sterne, Kessler,
Goldstein & Fox P.L.L.C.

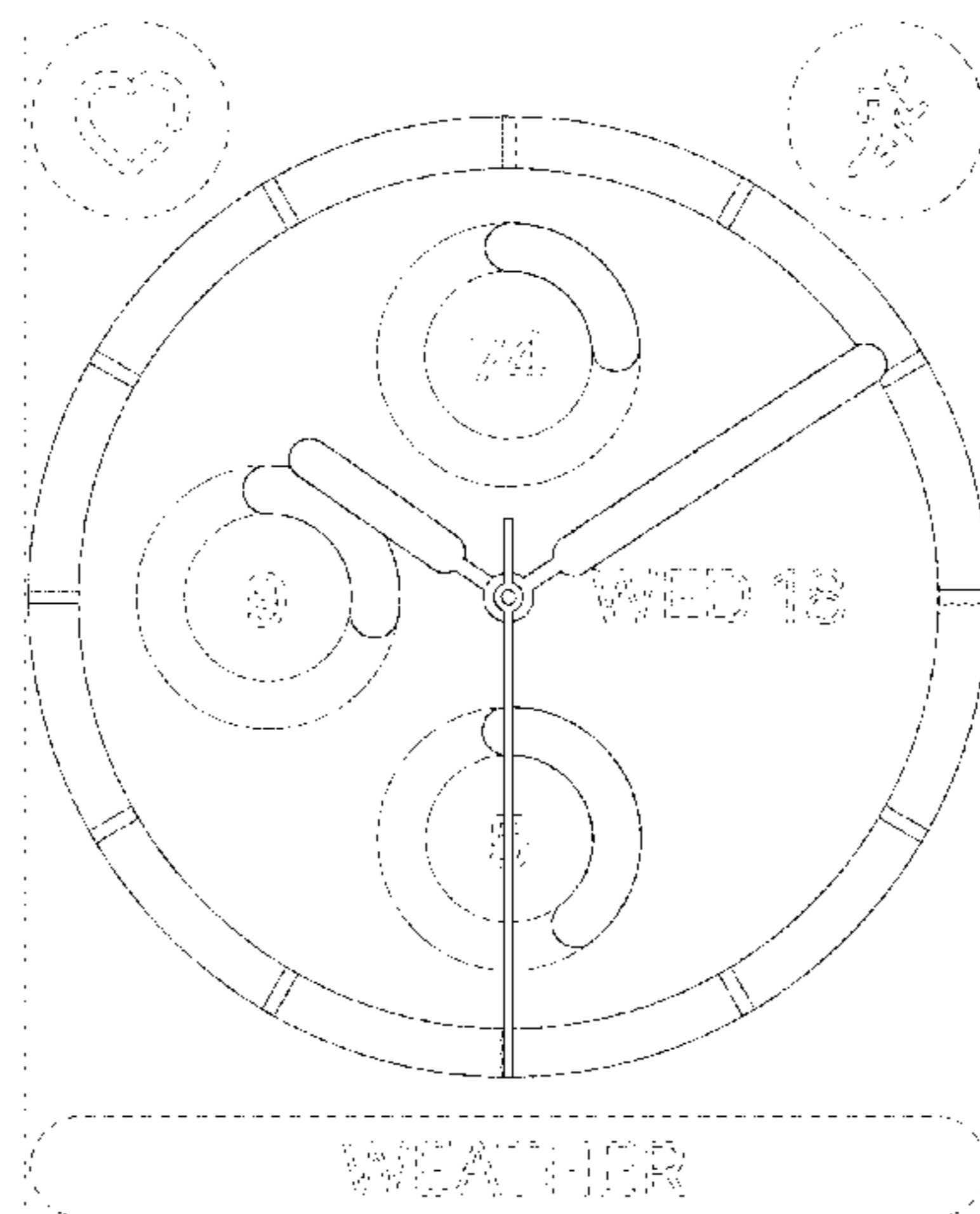
(57) **CLAIM**

The ornamental design for a display screen or portion thereof with graphical user interface, as shown and described.

DESCRIPTION

The FIGURE is a front view of a display screen or portion thereof with graphical user interface showing the claimed design.
The outermost broken lines in the FIGURE show a display screen or portion thereof, and form no part of the claimed design.
The other broken lines in the FIGURE show portions of the graphical user interface that form no part of the claimed design.

1 Claim, 1 Drawing Sheet



(56)

References Cited

U.S. PATENT DOCUMENTS

D631,764 S 2/2011 Furetta
 D640,145 S 6/2011 Goto
 D640,574 S 6/2011 Giannini
 D649,889 S 12/2011 Giannini
 D650,705 S 12/2011 Blank
 D667,316 S 9/2012 Tonohori
 D703,554 S 4/2014 Emmenegger et al.
 D735,060 S 7/2015 Monachon
 D736,654 S * 8/2015 Monachon D10/126
 D737,159 S 8/2015 Akana et al.
 D744,356 S 12/2015 Akana et al.
 D754,706 S * 4/2016 Hwang D14/486
 D755,825 S * 5/2016 Hwang D14/486
 D757,079 S 5/2016 Chaudhri et al.
 D757,080 S * 5/2016 Hou D14/486
 D760,286 S * 6/2016 Park D14/492
 D765,114 S 8/2016 Chaudhri et al.
 D765,693 S * 9/2016 Chaudhri D14/486
 D766,950 S 9/2016 Dye et al.
 9,448,536 B1 * 9/2016 Kahn G04B 5/02
 D773,333 S * 12/2016 Monachon D10/126
 D784,389 S * 4/2017 Kim D14/486
 2012/0068854 A1 * 3/2012 Shiflet G06Q 50/06
 340/870.02

2015/0253736 A1* 9/2015 Watterson G04G 21/04
 368/10
 2016/0034133 A1* 2/2016 Wilson G06F 3/0488
 715/772
 2016/0357386 A1* 12/2016 Choi G04G 9/0064

OTHER PUBLICATIONS

Hollington, Jesse. "Instant Expert: Secrets & Features of watchOS 3." ilounge.com. Sep. 15, 2016. Accessed Jun. 4, 2016. Available online at URL: <<http://www.ilounge.com/index.php/articles/comments/instant-expert-secrets-features-of-watchos-3>>.*
 "App clock Icon", posted at iconarchive.com, Aug. 13, 2011. Available from Internet: <<http://www.iconarchive.com/show/crystal-clear-icons-by-everaldo/App-clock-icon.html>>.
 JPO's document HJ23040214 dated Oct. 24, 2011, cited in Official Action for JP2015-004453.
 "Vector Wall Clock", posted at canstockphoto.com, Oct. 22, 2012. Available from Internet: <http://www.canstockphoto.com/illustration/watch.html#file_view.php?id=11287520>.
 Dezeen Magazine, "No. 1 by Form Us With Love for TID Watches" <<http://www.dezeen.com/2012/10/29/no-1-watch-by-form-us-with-love-for-tid-at-dezeen-watch-store/>> dated Oct. 29, 2012.
 JPO's document HJ25006511 dated Apr. 30, 2014, cited in Official Action for JP2015-004453.

* cited by examiner

