



US00D796544S

(12) **United States Design Patent** (10) **Patent No.:** **US D796,544 S**
Brisky (45) **Date of Patent:** **** Sep. 5, 2017**

(54) **DISPLAY SCREEN WITH ICON OR PRODUCT WITH SURFACE ORNAMENTATION**

D739,889 S * 9/2015 Nadav D18/24
D748,143 S * 1/2016 Kwon D14/492
D757,797 S * 5/2016 Kurz D14/489
D757,811 S * 5/2016 Lee D14/492
D764,542 S * 8/2016 Wolf D14/490
2008/0215240 A1* 9/2008 Howard G06F 3/0488
701/469

(71) Applicant: **The Gillette Company**, Boston, MA (US)

(72) Inventor: **Todd Andrew Brisky**, Weston, MA (US)

(73) Assignee: **The Gillette Company LLC**, Boston, MA (US)

(**) Term: **15 Years**

(21) Appl. No.: **29/538,726**

(22) Filed: **Sep. 8, 2015**

(51) **LOC (10) Cl.** **14-04**

(52) **U.S. Cl.**
USPC **D14/490**; D4/138

(58) **Field of Classification Search**
USPC D14/485-495; D4/127, 138
CPC G06F 3/0481; G06F 3/04817
See application file for complete search history.

(56) **References Cited**

U.S. PATENT DOCUMENTS

3,314,171 A * 4/1967 Bethune G09B 11/04
434/164
D405,776 S * 2/1999 Fults D14/486
D625,331 S * 10/2010 Umezawa D14/492
D656,515 S * 3/2012 Bechtold D14/490
D671,957 S * 12/2012 Carpenter D14/489
D682,313 S * 5/2013 Voreis D14/492
D707,709 S * 6/2014 Baumann D14/492
D710,884 S * 8/2014 Winther D14/490
D711,421 S * 8/2014 Bautista D14/490
D725,144 S * 3/2015 Johnson D14/491
D733,754 S * 7/2015 Jung D14/492

OTHER PUBLICATIONS

Auto Insurance for your car . . . , posted at A&S Insurance, posting date Feb. 1, 2011. [online], [site visited Jan. 19, 2017]. Available from Internet, <URL: <http://web.archive.org/web/20110201221346/http://aandsinsurance.com/>>.*

(Continued)

Primary Examiner — Kevin Rudzinski

Assistant Examiner — Kathleen Jones

(74) *Attorney, Agent, or Firm* — John M. Lipchitz; Kevin C. Johnson; Steven W. Miller

(57) **CLAIM**

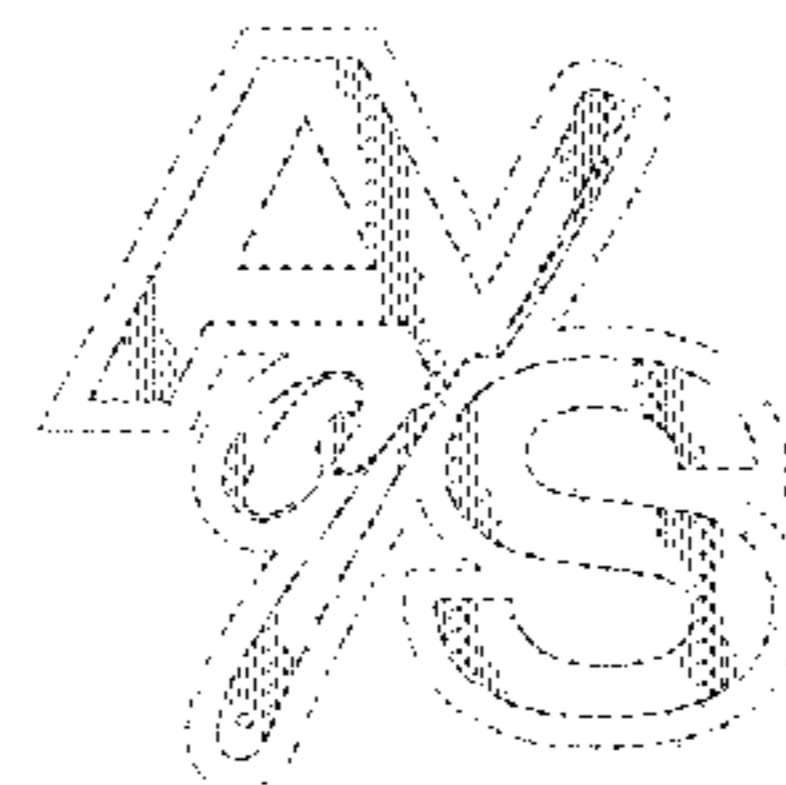
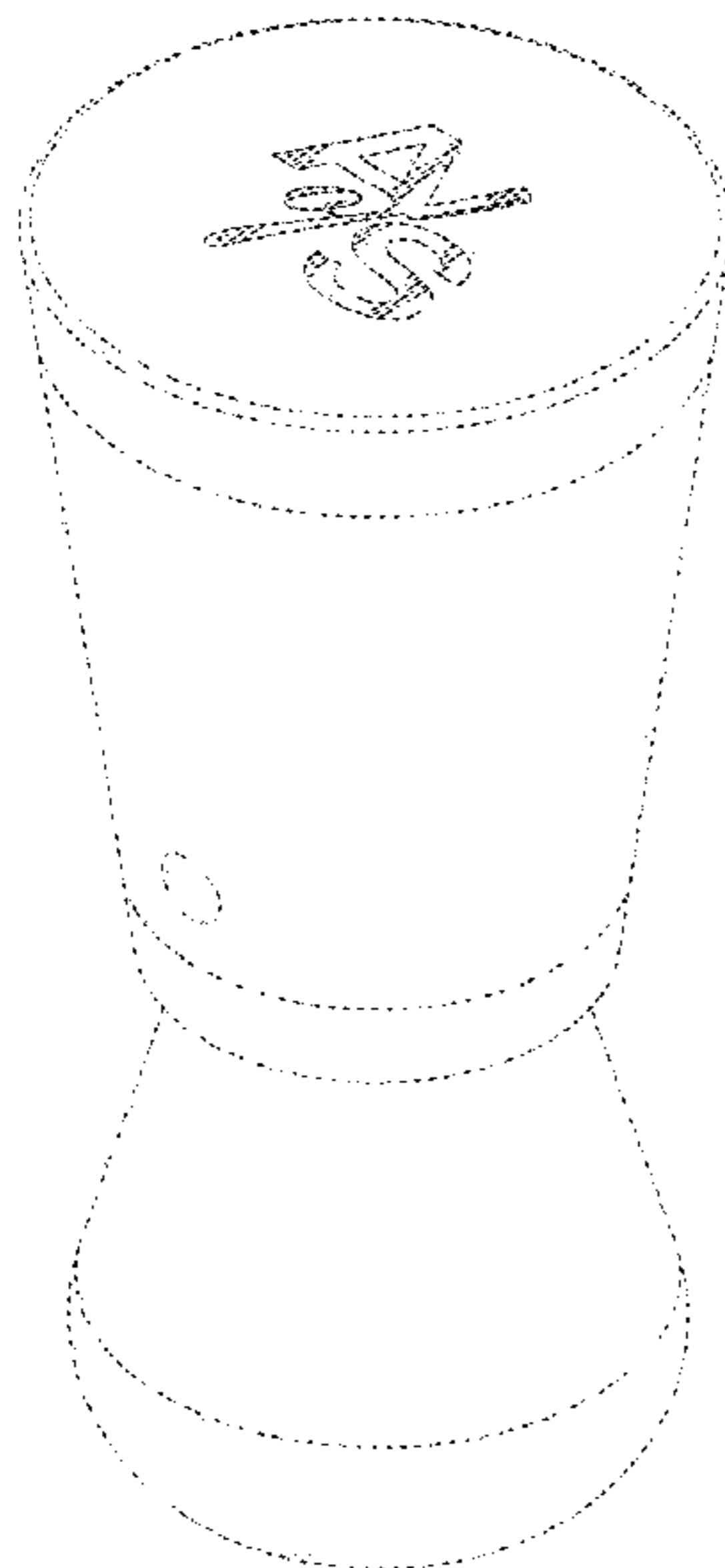
The ornamental design for a display screen with icon or product with surface ornamentation, as shown and described.

DESCRIPTION

FIG. 1 is a perspective view of a product with surface ornamentation showing the present invention;
FIG. 2 is a front view thereof;
FIG. 3 is a back view thereof;
FIG. 4 is a left view thereof;
FIG. 5 is a right view thereof;
FIG. 6 is a top view thereof;
FIG. 7 is a bottom view thereof; and,
FIG. 8 is a front view of a display screen with icon showing the present invention.

The dash broken lines showing the product in FIGS. 1-7 and the display screen in FIG. 8 are directed to environment and form no part of the claimed design.

1 Claim, 7 Drawing Sheets



(56)

References Cited

OTHER PUBLICATIONS

College of Arts and Sciences, posted at University of Kentucky, posting date Oct. 13, 2014. [online], [site visited Jan. 19, 2017]. Available from Internet, <URL: <http://web.archive.org/web/20141013164045/http://newmapsplus.uky.edu/>>.*

Razorback's Barbershop, Inc., Trademark Registration No. 4933558, filing date Dec. 9, 2014, published May 19, 2015. [online], [site visited Apr. 20, 2017]. Available from Internet.*

The Razor Lounge LLC, Trademark Registration No. 4768235, filing date Nov. 4, 2014, published Apr. 21, 2015. [online], [site visited Apr. 20, 2017]. Available from Internet.*

Pretty Monsters LLC DBA Brooklyn Grooming Co., Trademark Registration No. 4439489, filing date Apr. 3, 2013, published Sep. 10, 2013. [online], [site visited Apr. 20, 2017]. Available from Internet.*

DrewTheBarber, LLC., Trademark Registration No. 4641989, filing date May 21, 2013, published Mar. 18, 2014. [online], [site visited Apr. 20, 2017]. Available from Internet.*

Andre Beverly Hills, LLC, Trademark Registration No. 4487849, filing date Jul. 1, 2013, published Dec. 10, 2013. [online], [site visited Apr. 20, 2017]. Available from Internet.*

* cited by examiner

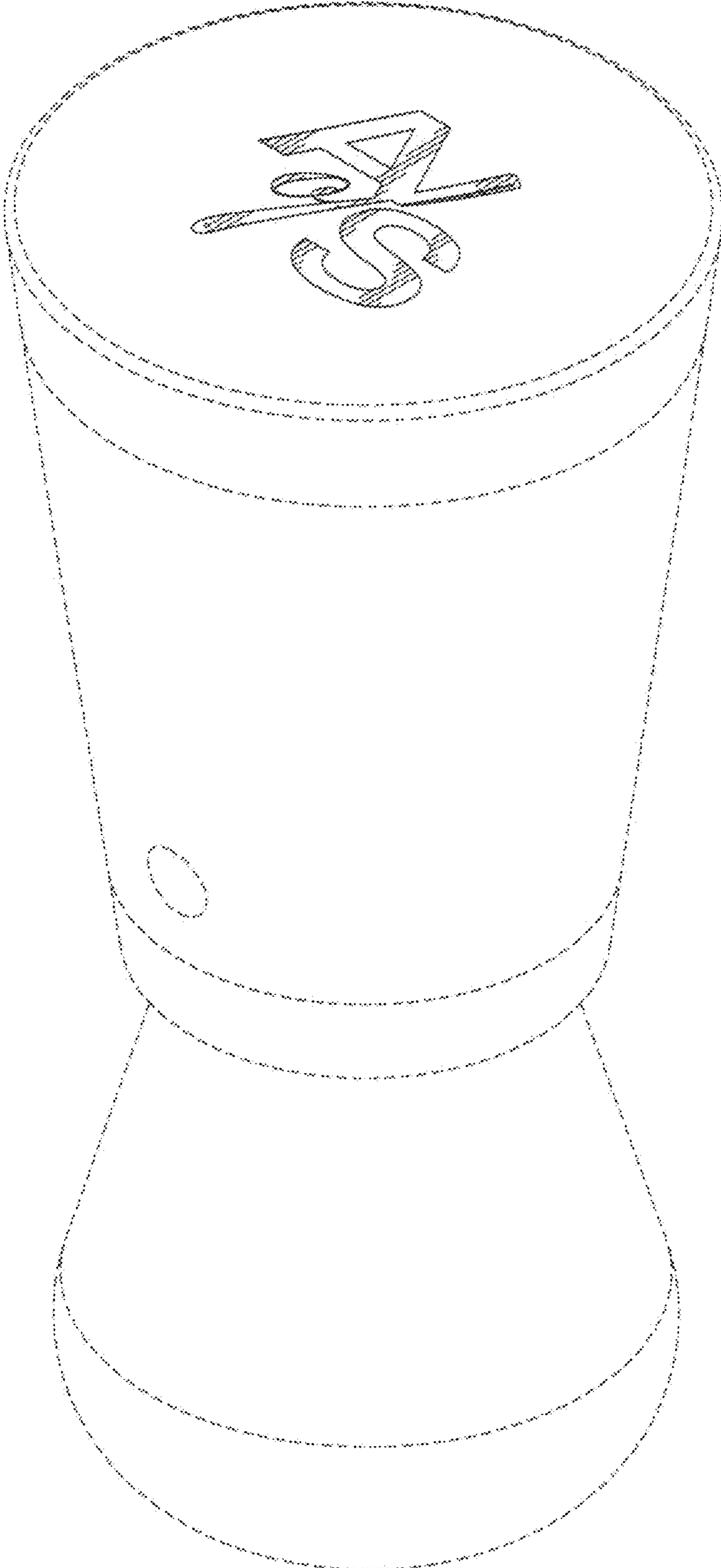


FIG. 1

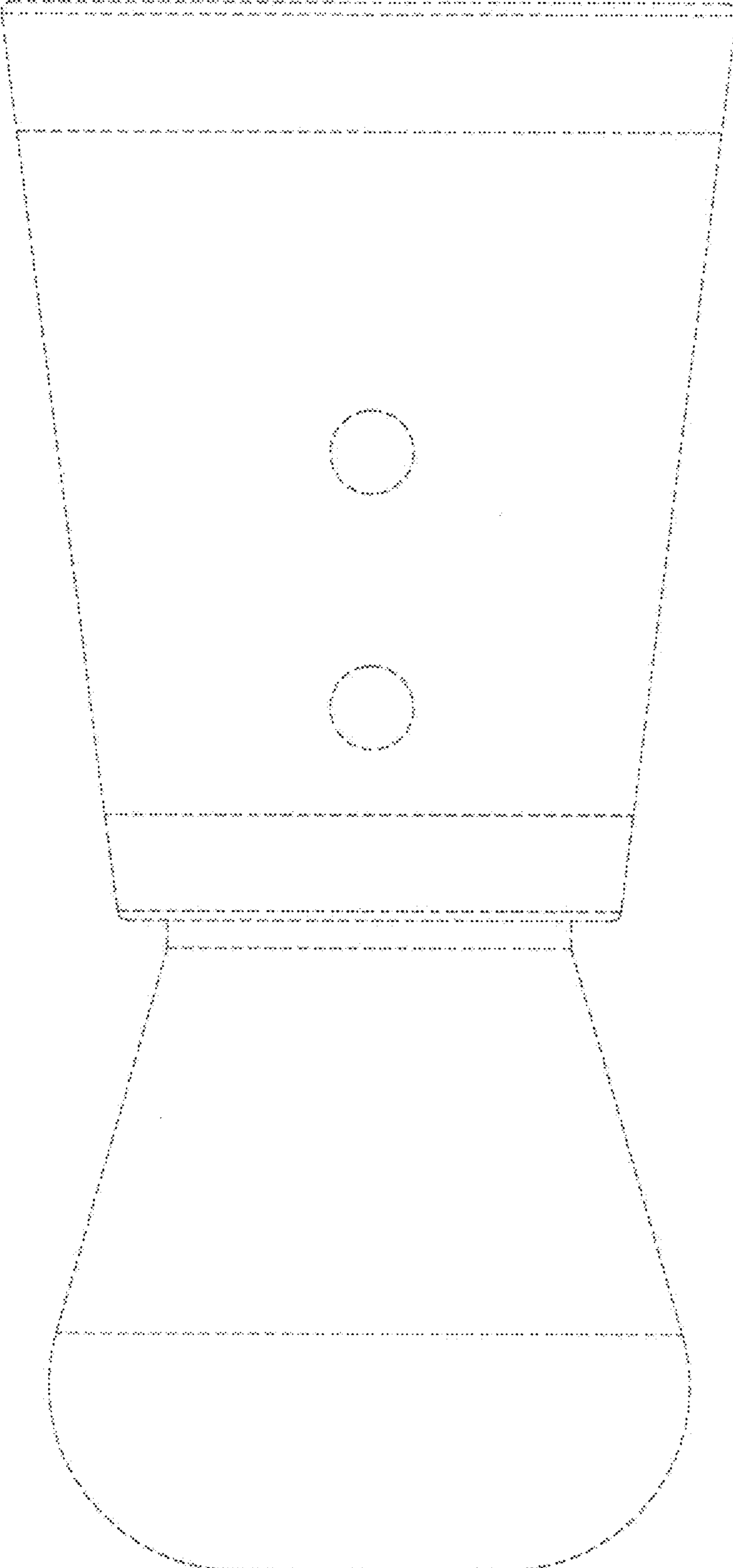


FIG. 2

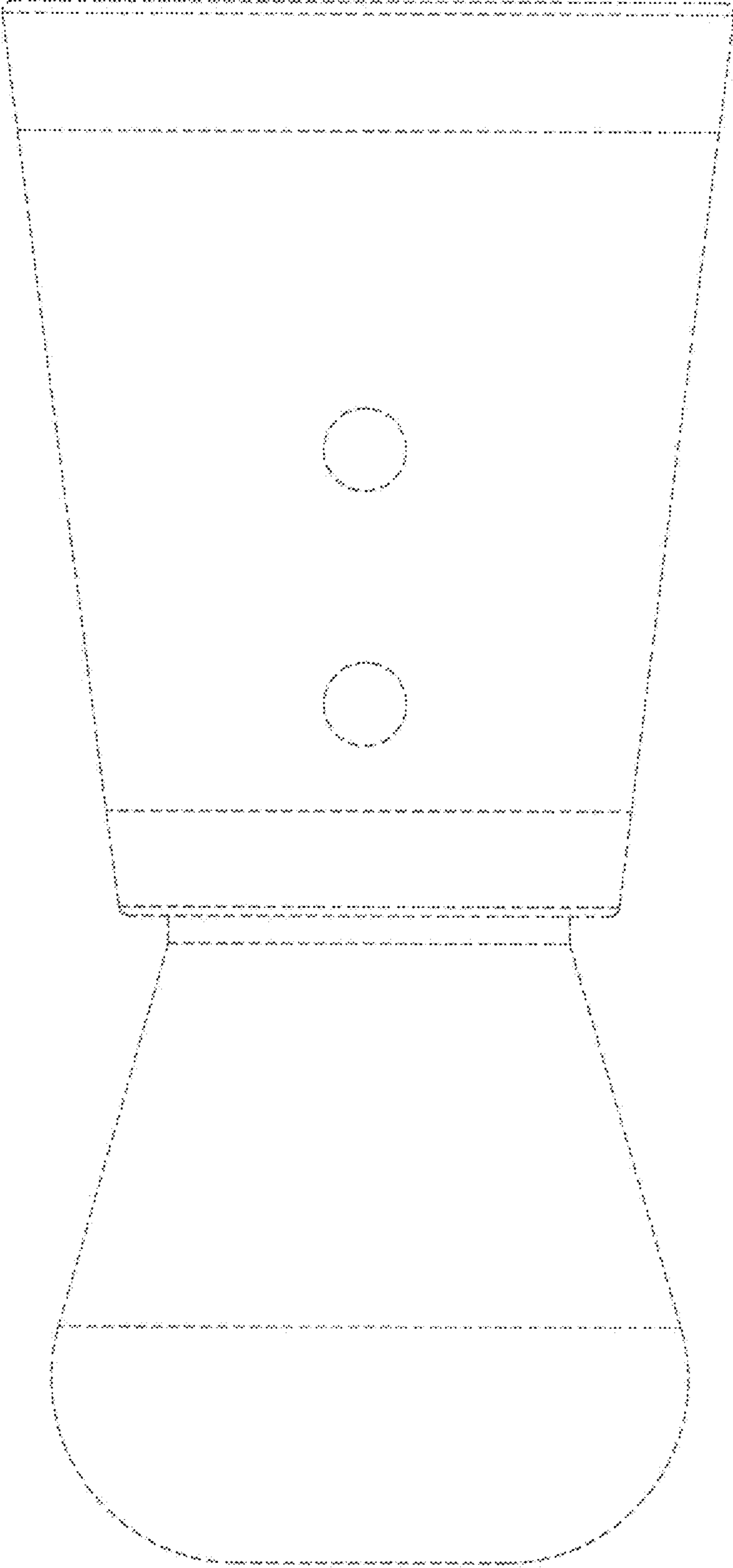


FIG. 3

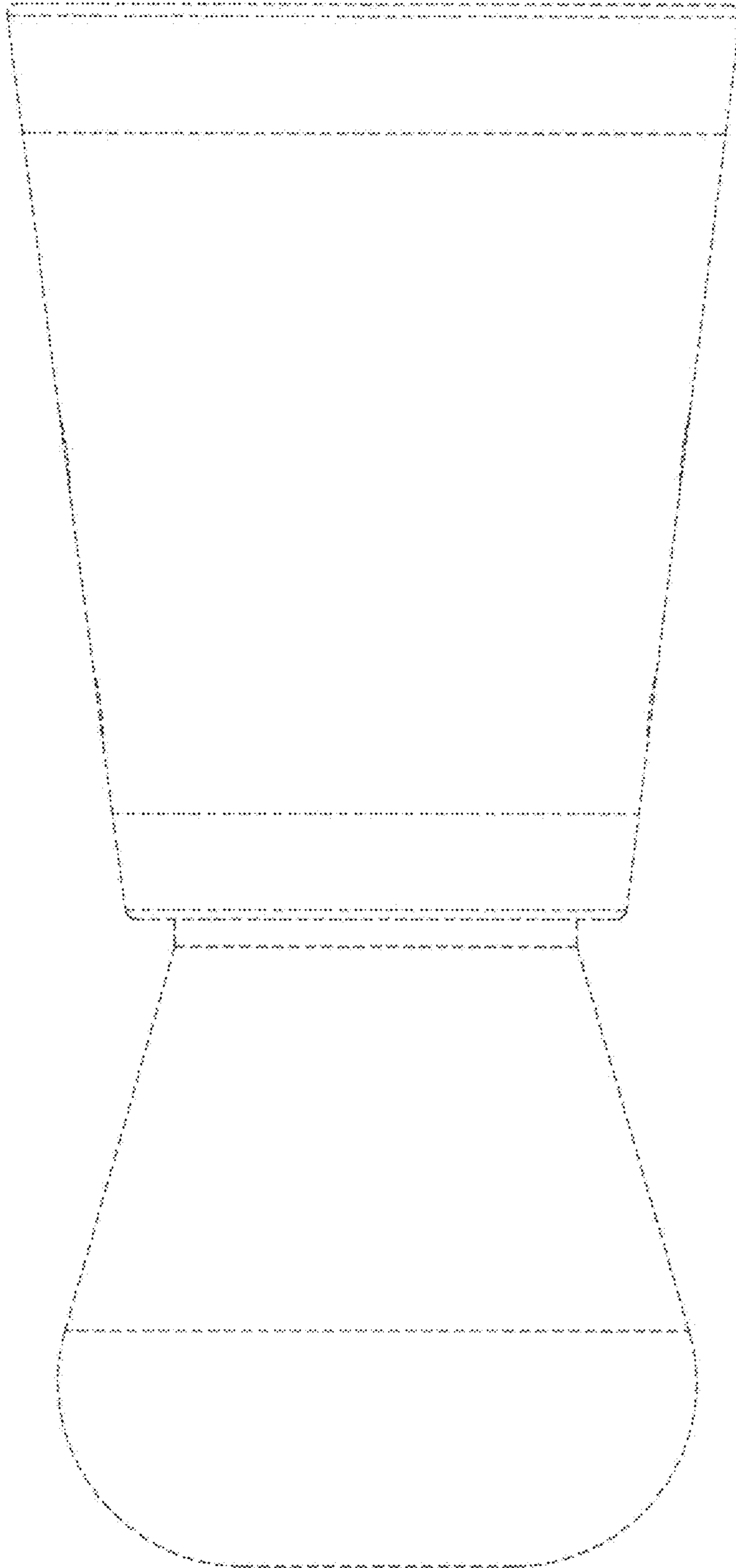


FIG. 4

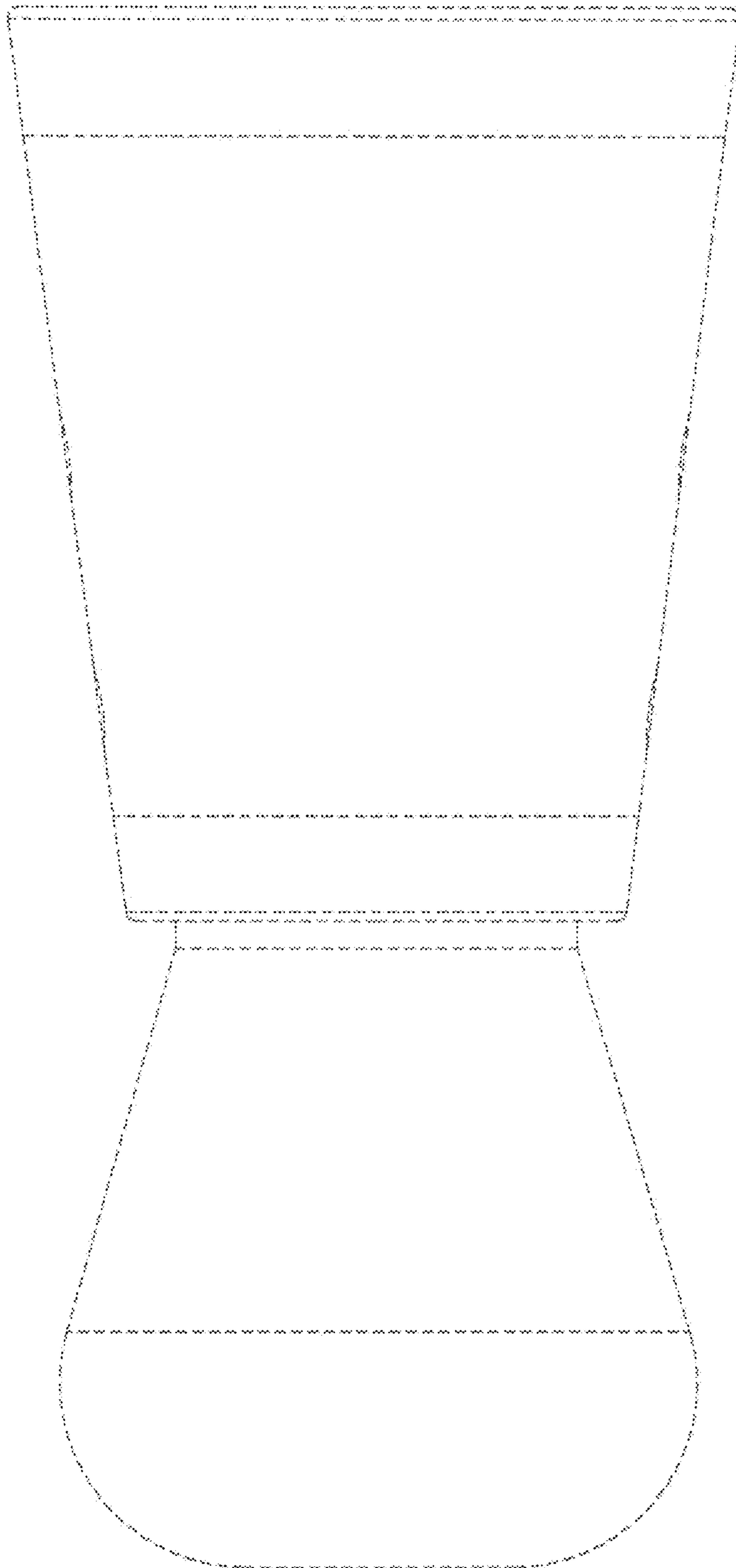


FIG. 5

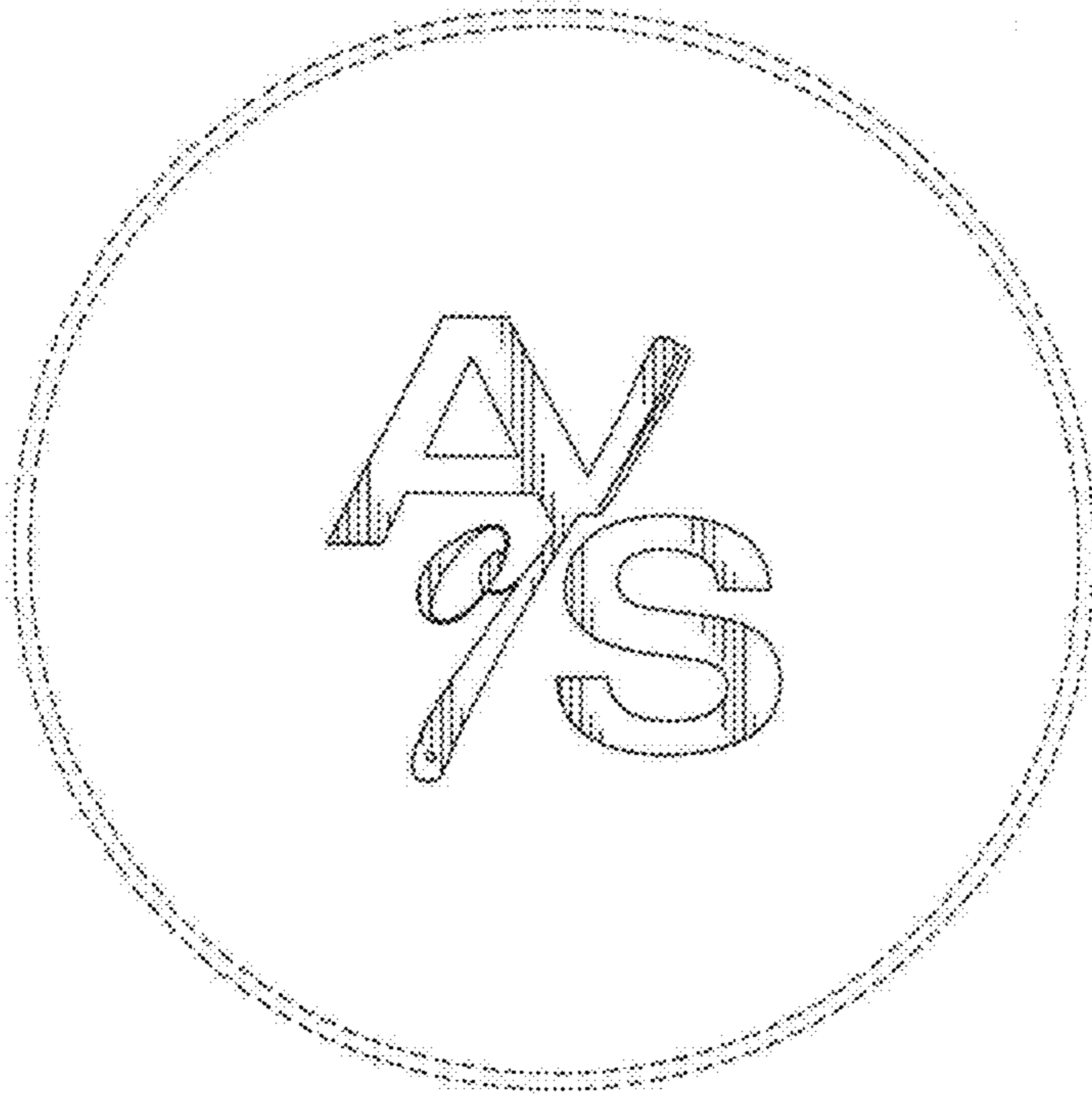


FIG. 6

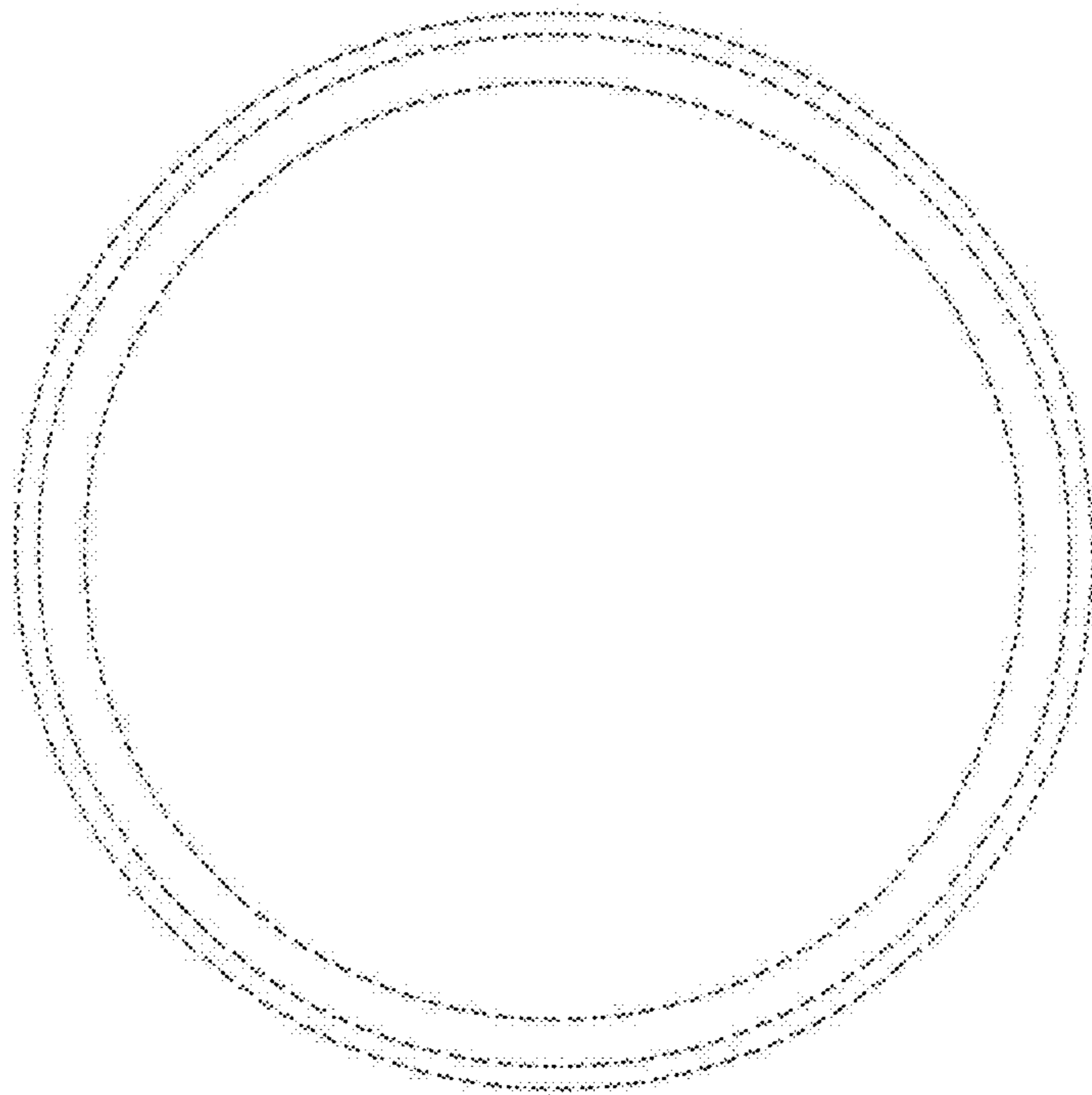


FIG. 7

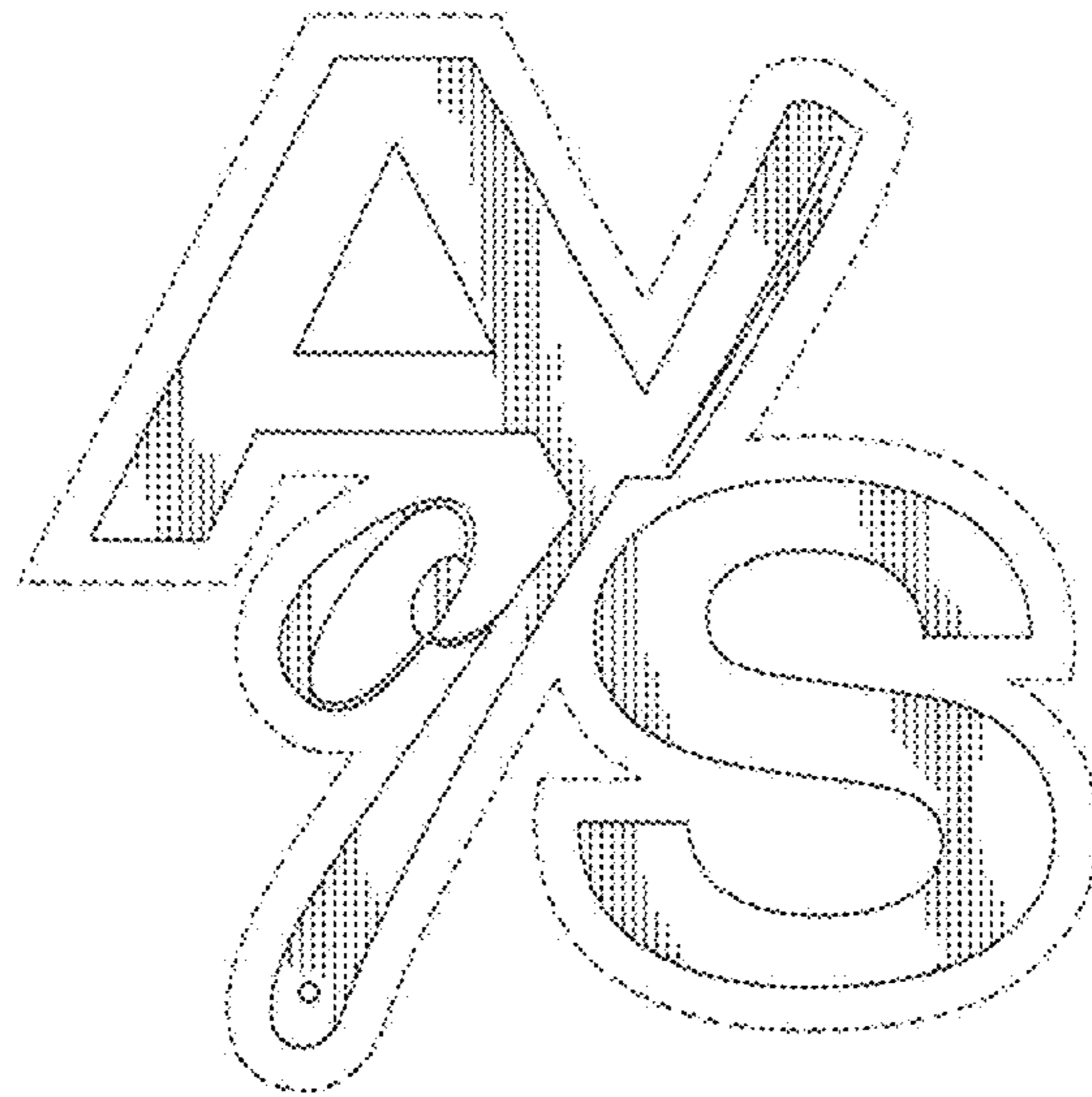


FIG. 8