



US00D796519S

(12) **United States Design Patent**
Hung

(10) **Patent No.:** **US D796,519 S**

(45) **Date of Patent:** **** *Sep. 5, 2017**

(54) **DISPLAY SUPPORT**

(71) Applicant: **Modernsolid Industrial Co., LTD.,**
Taichung (TW)

(72) Inventor: **Chin-Jui Hung,** Taichung (TW)

(73) Assignee: **Modernsolid Industrial Co., LTD.,**
Taichung (TW)

(*) Notice: This patent is subject to a terminal disclaimer.

(**) Term: **14 Years**

(21) Appl. No.: **29/498,306**

(22) Filed: **Aug. 1, 2014**

(30) **Foreign Application Priority Data**

Jun. 6, 2014 (TW) 103303406

(51) **LOC (10) Cl.** **14-02**

(52) **U.S. Cl.**
USPC **D14/452**

(58) **Field of Classification Search**

USPC D14/371-382, 125-129, 336, 337,
D14/447-452, 492, 335, 239, 457,
D14/439-441, 432, 251-253; D8/349,
D8/354, 363, 373, 376, 380; D21/333;
D12/415; D3/218; 348/180, 184, 325,
348/739, 825

CPC G06F 3/0412; G06F 3/016; G06F 3/0488;
G06F 3/011; G06F 3/038; G06F 3/03543;
G06F 3/0338; G06F 3/0202; G06F
3/0219; G06F 3/0213; G06F 1/1616;
G06F 3/023; G06F 3/04883; G02F
1/13338; G02F 1/1313; G02F 1/1333;
G02F 1/135; G02F 1/132; G02F
1/133308; G02F 1/134309; G02F
1/13718; G09G 3/3648; G06K 15/1252;
B41J 2/465; G03F 7/70291; G02B
27/0172; G02B 5/30; G02B 2027/0118;
G02B 27/0101; F16M 13/02; F16M

13/00; F16M 11/10; F16M 11/04; F16M
2200/08; F16M 11/2021; A47B 21/0314;
A47B 88/044; A47B 2021/0335; H02G
3/126; A47G 1/17; F16B 47/00; F16B
47/006; A47K 2201/00

See application file for complete search history.

(56) **References Cited**

U.S. PATENT DOCUMENTS

D507,477 S * 7/2005 Pfister D8/363
7,028,961 B1 * 4/2006 Dittmer et al. 248/278.1
D520,017 S * 5/2006 van Kuijk et al. D14/452

(Continued)

Primary Examiner — Barbara Fox

Assistant Examiner — Katie Stofko

(74) *Attorney, Agent, or Firm* — LeClairRyan

(57) **CLAIM**

The ornamental design for a display support, as shown and described.

DESCRIPTION

FIG. 1 is a perspective view of a display support showing my new design;

FIG. 2 is a front elevational view thereof;

FIG. 3 is a rear elevational view thereof;

FIG. 4 is a left side elevational view thereof;

FIG. 5 is a right side elevational view thereof;

FIG. 6 is a top plan view thereof;

FIG. 7 is a bottom plan view thereof;

FIG. 8 is a perspective view in use;

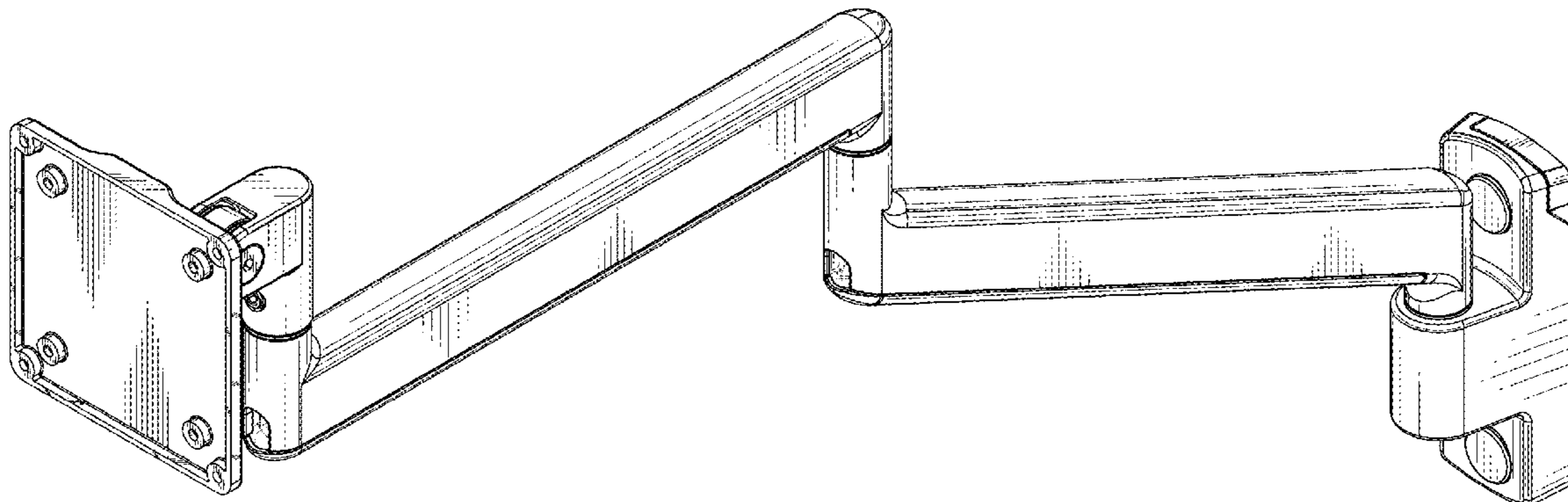
FIG. 9 is another perspective view in use;

FIG. 10 is another perspective view in use; and,

FIG. 11 is another perspective view in use.

The broken lines showing screens in FIGS. 8-11 illustrate the environment of the claimed design and form no part thereof. The remaining broken lines in FIGS. 1, 4, 7, 8 and 10 illustrate portions of the display support which form no part of the claimed design.

1 Claim, 11 Drawing Sheets



(56)

References Cited

U.S. PATENT DOCUMENTS

D556,205	S	*	11/2007	Wohlford et al.	D14/452
D559,662	S	*	1/2008	Sculler et al.	D8/380
D584,734	S	*	1/2009	Chu	D14/452
D630,623	S	*	1/2011	Molter et al.	D14/239
D631,052	S	*	1/2011	Hung	D14/452
D651,199	S	*	12/2011	Huang	D14/239
D652,030	S	*	1/2012	Dolack	D14/239
D660,843	S	*	5/2012	Kaluza	D14/452
8,254,092	B2	*	8/2012	Russell et al.	361/679.01
8,366,060	B2	*	2/2013	Hung	248/124.1
2005/0121577	A1	*	6/2005	Oddsens et al.	248/225.11
2006/0266903	A1	*	11/2006	Oddsens et al.	248/274.1
2013/0161465	A1	*	6/2013	Huang	248/278.1

* cited by examiner

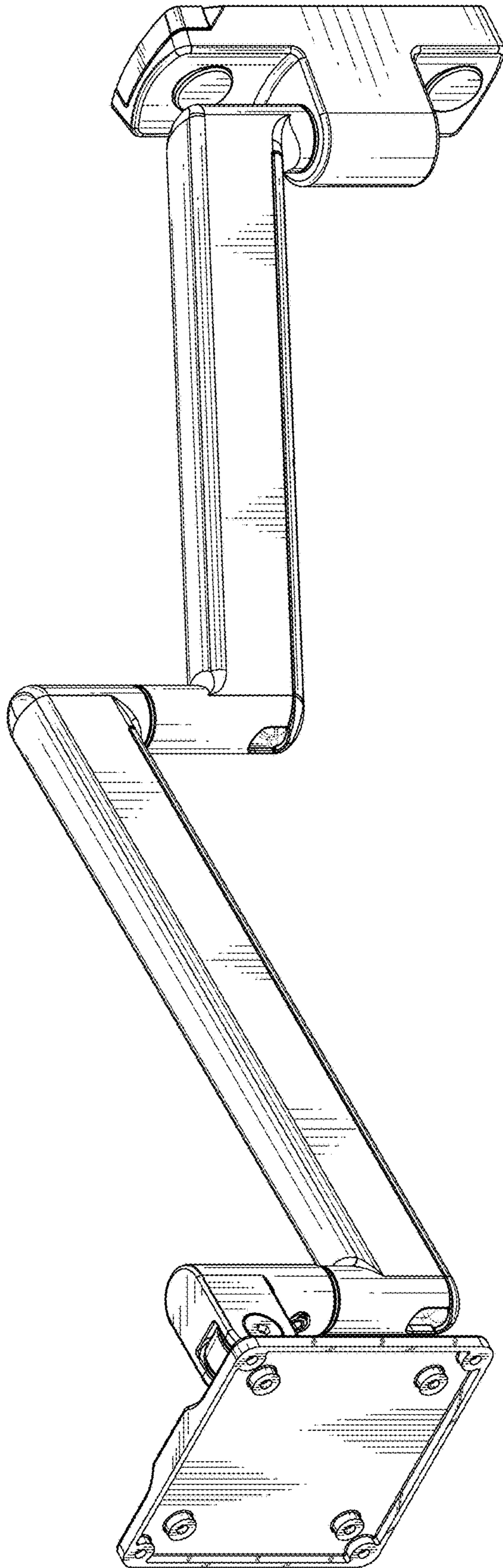


FIG. 1

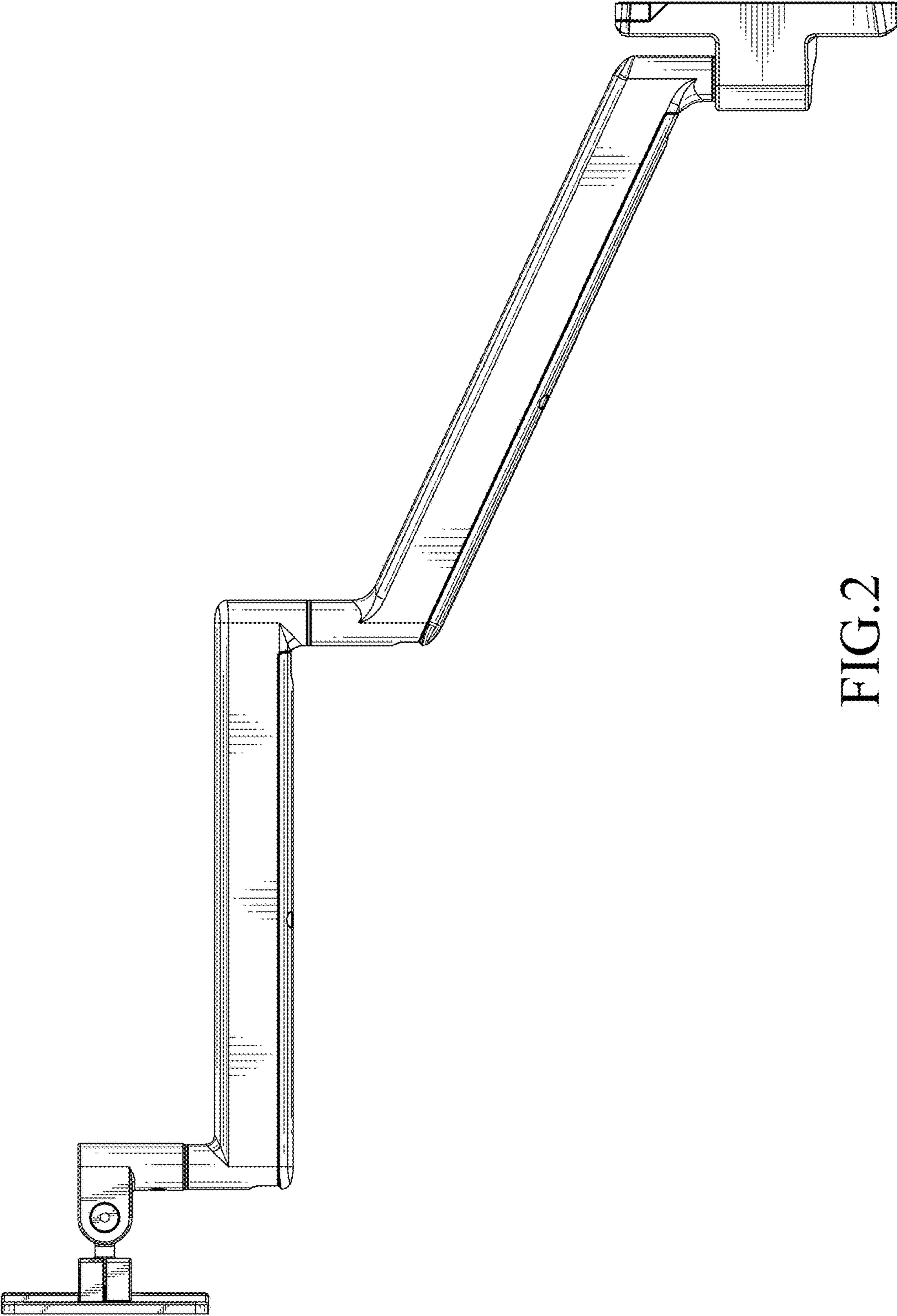


FIG.2

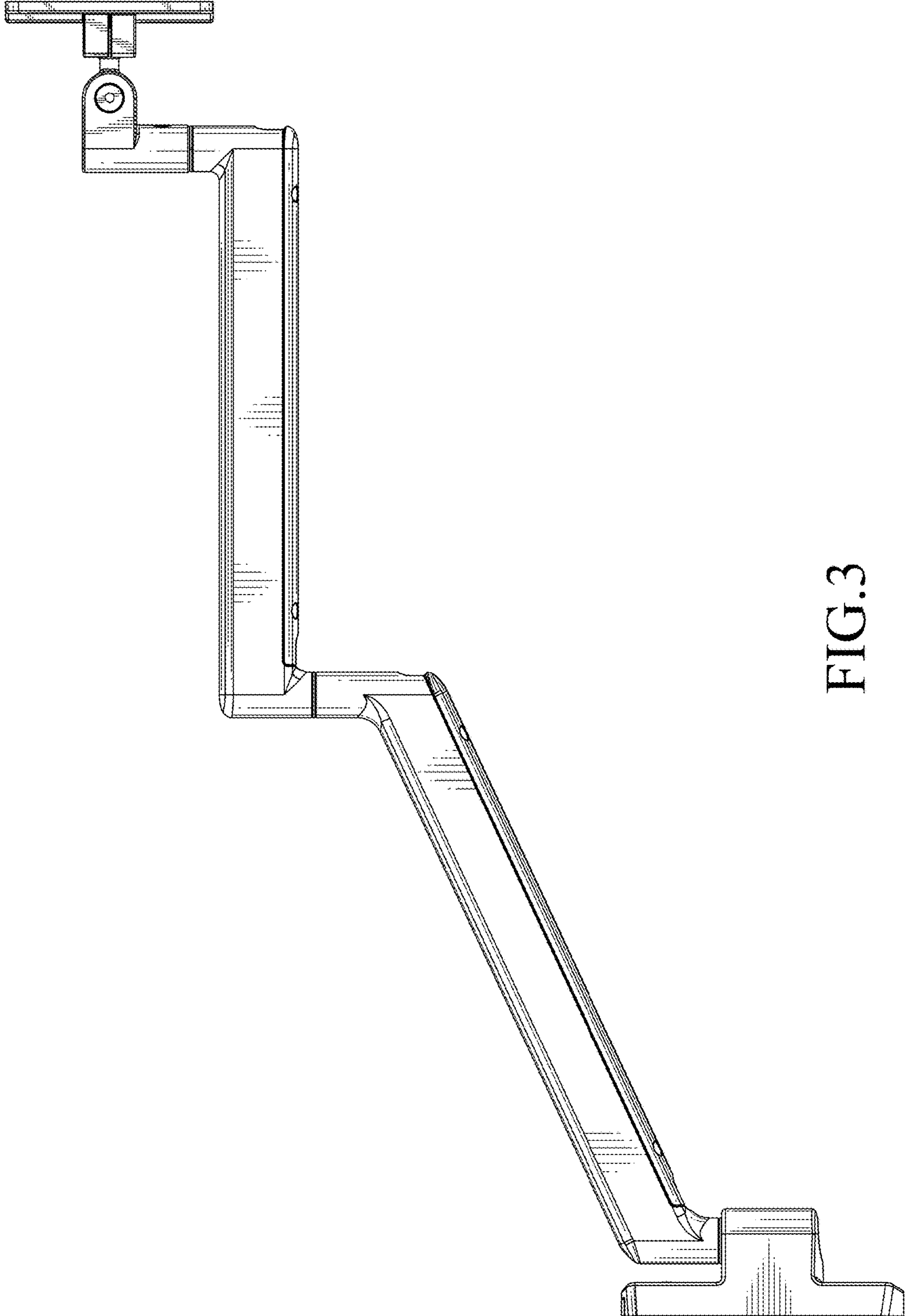


FIG. 3

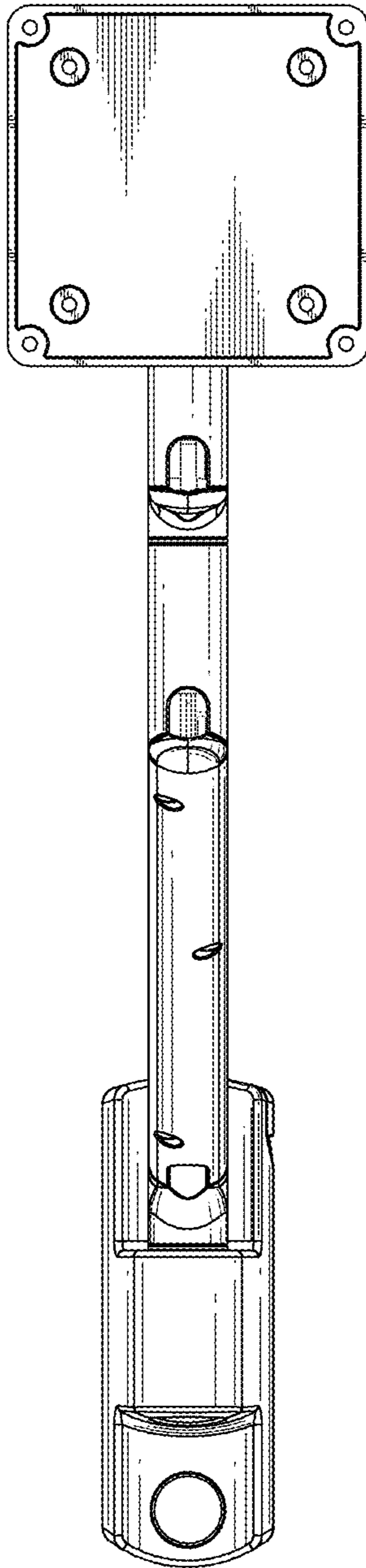


FIG.4

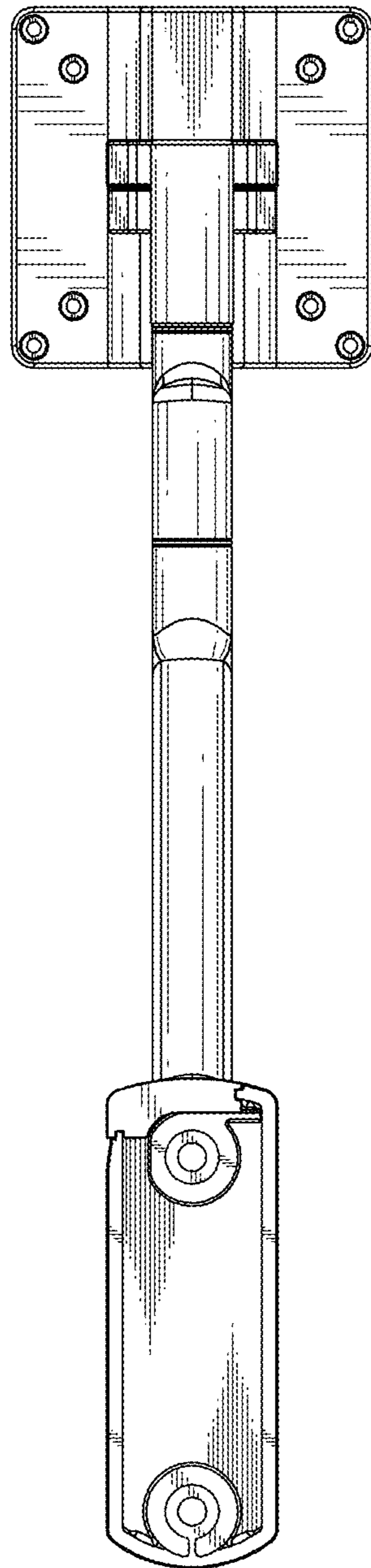


FIG. 5

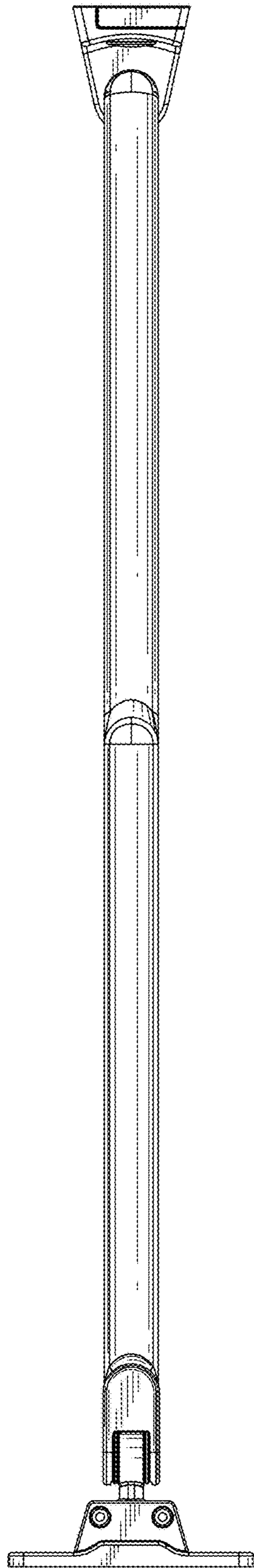


FIG.6

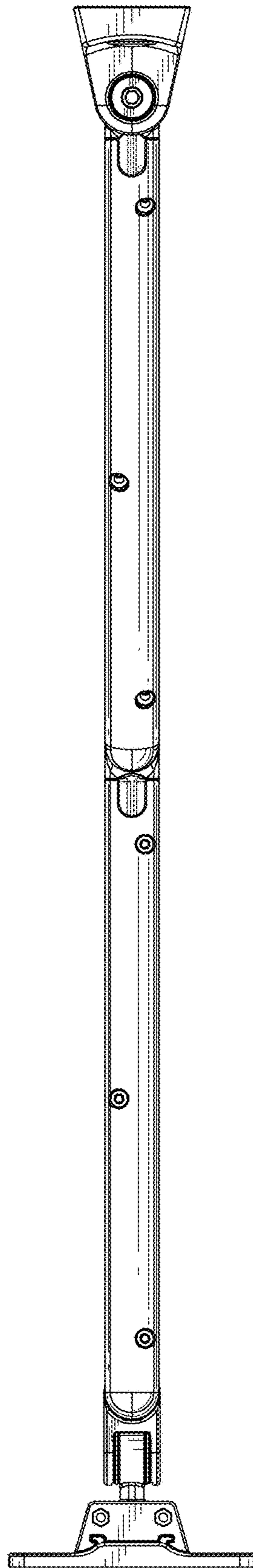


FIG. 7

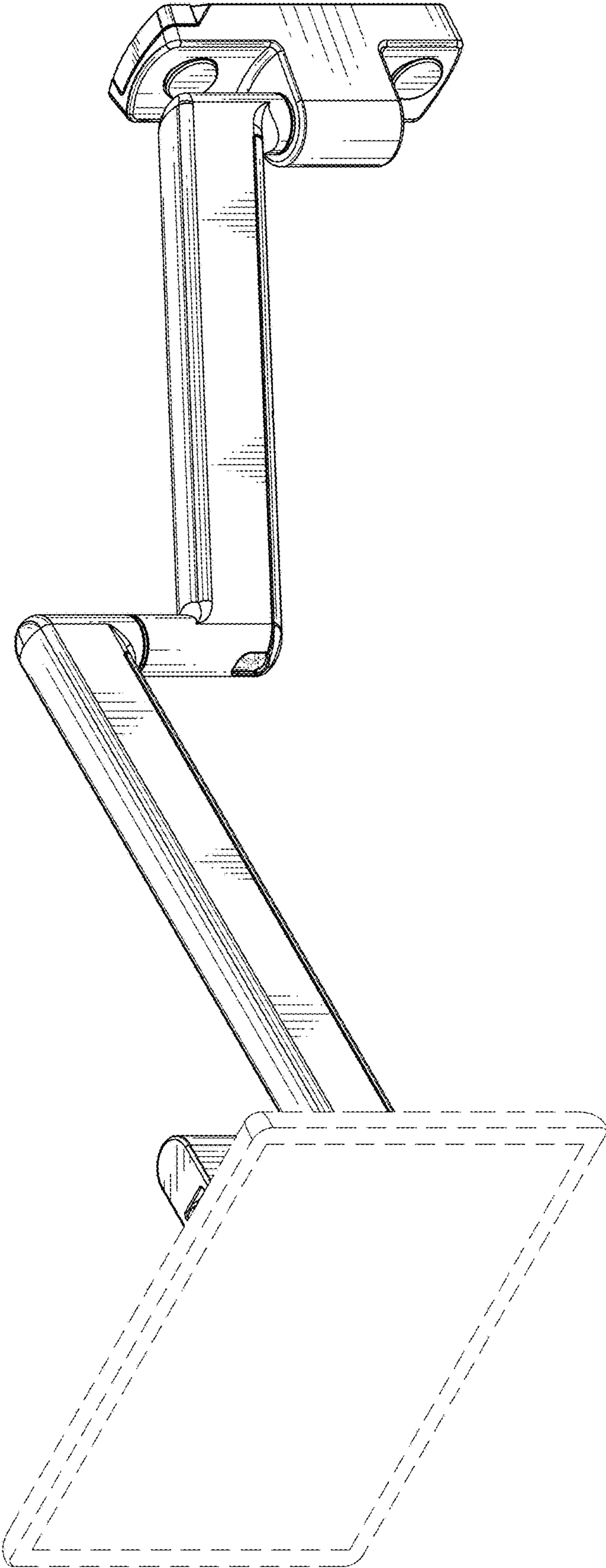


FIG. 8

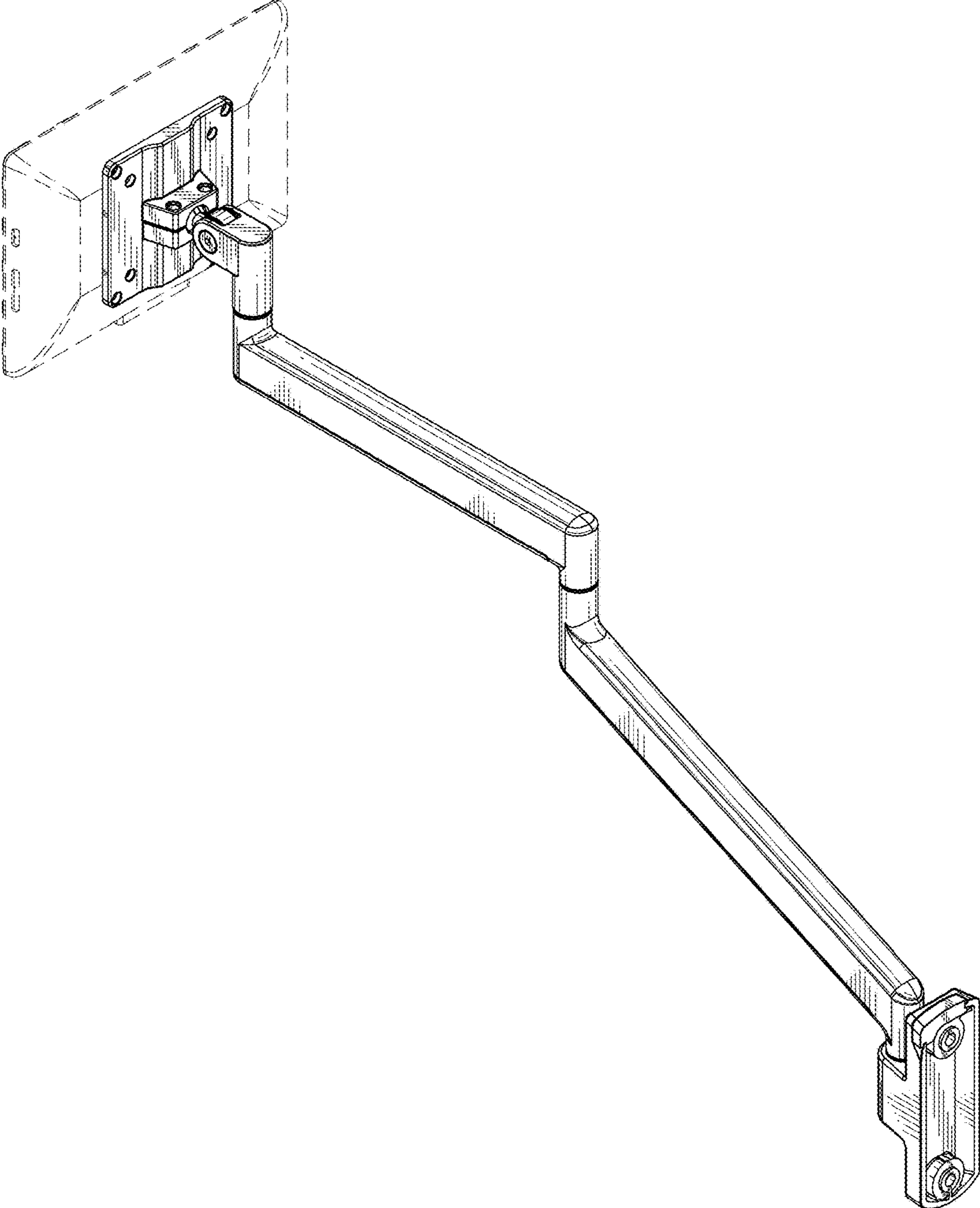


FIG.9

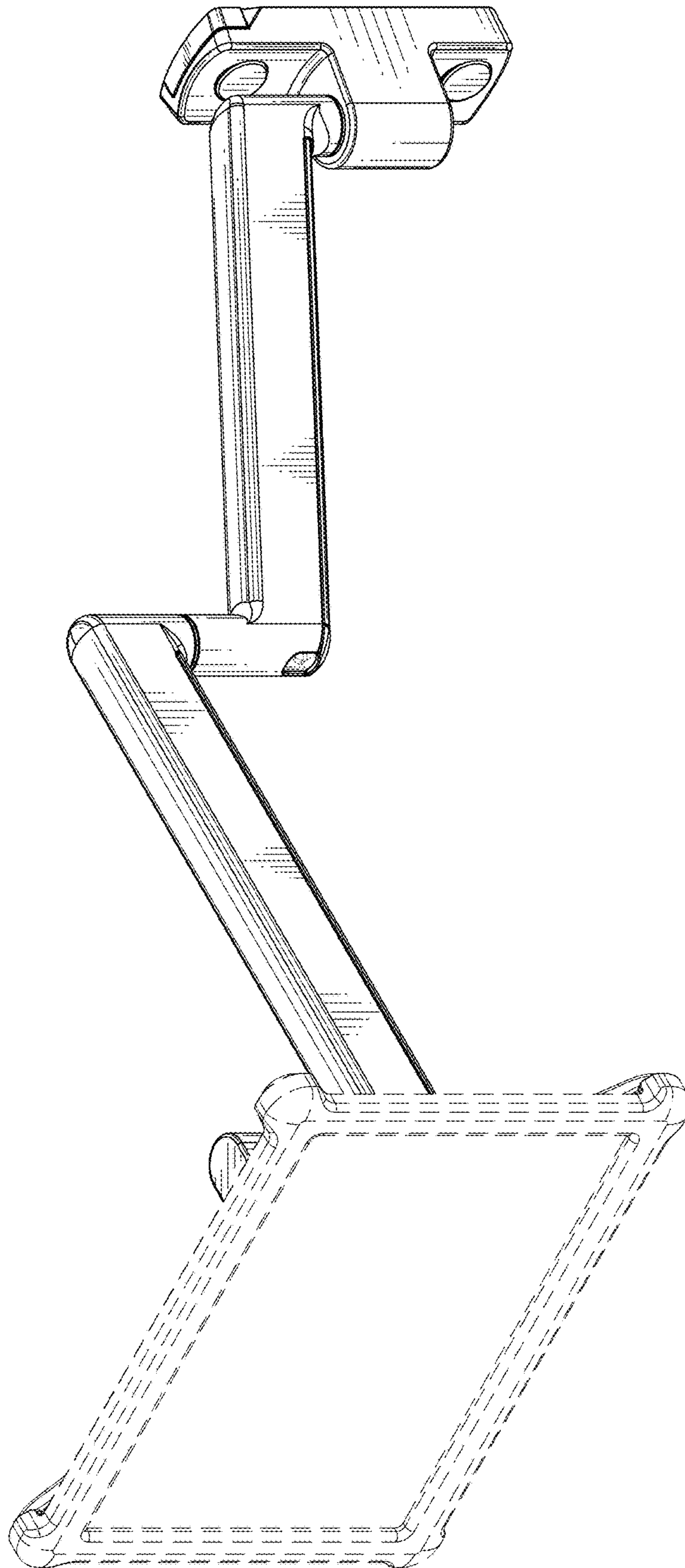


FIG.10

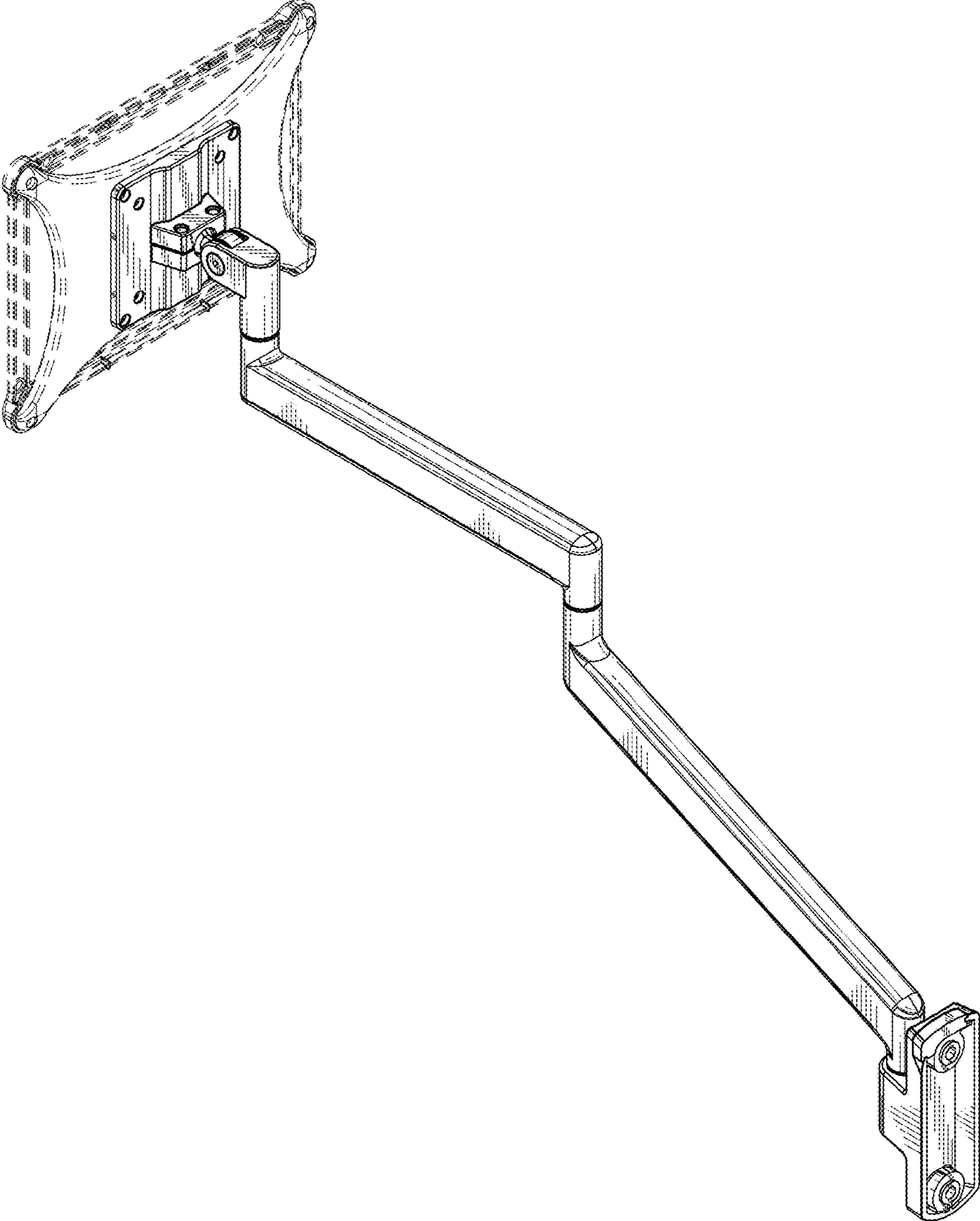


FIG.11