



US00D796517S

(12) **United States Design Patent** (10) **Patent No.:** **US D796,517 S**  
**Song et al.** (45) **Date of Patent:** **\*\* Sep. 5, 2017**

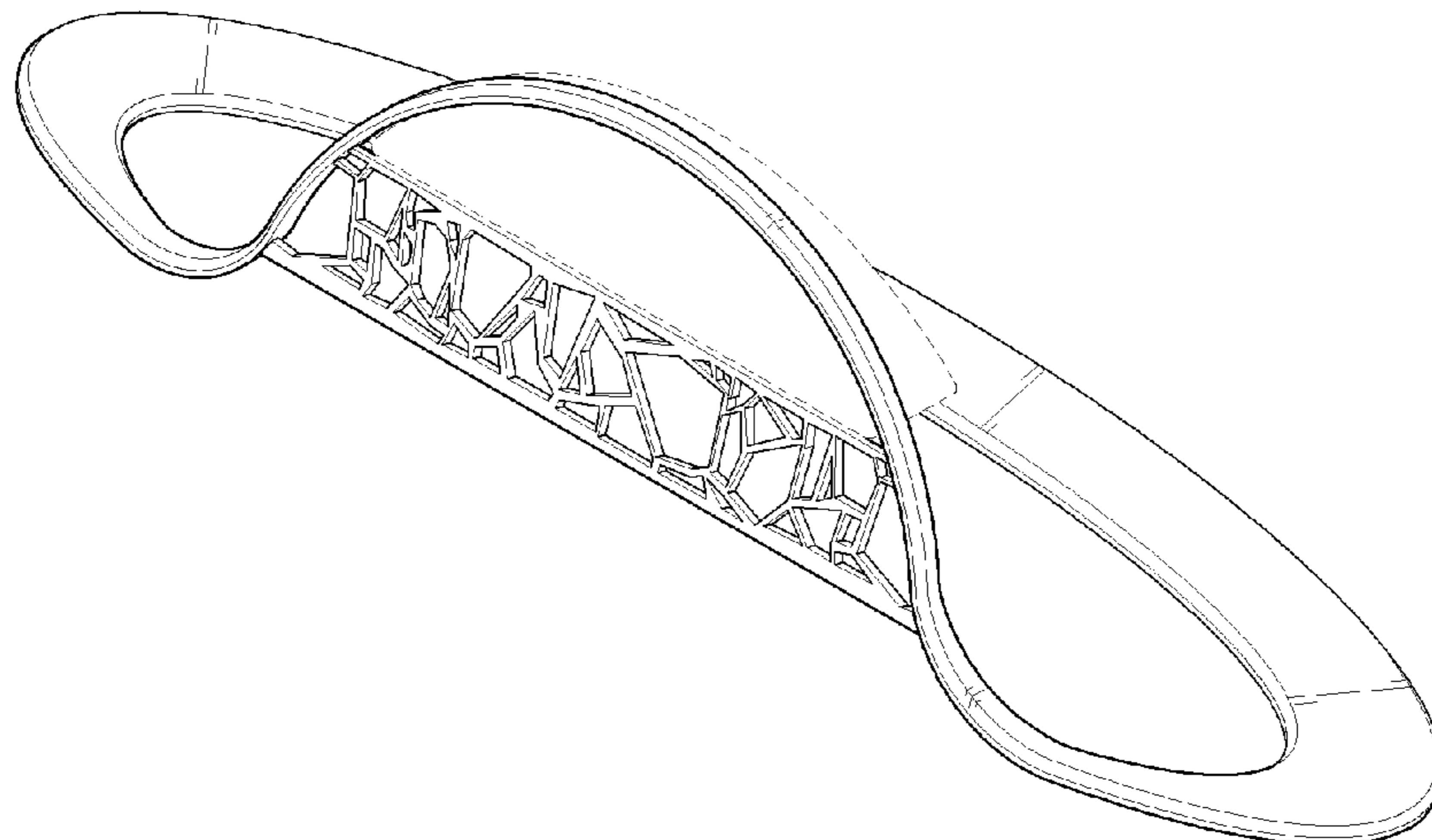
(54) **STANDS FOR TELEVISION RECEIVER**  
(71) Applicants: **LG Display Co., Ltd.**, Seoul (KR);  
**Sookmyung Women's University**  
**Industry Academic Cooperation**,  
Seoul (KR)  
(72) Inventors: **Hyun Jin Song**, Jeonju-si (KR); **Ji**  
**Woon Min**, Paju-si (KR); **Young Nam**  
**Lee**, Incheon (KR); **Il Yong Kim**,  
Daejeon (KR); **Jang Hyun Cho**, Seoul  
(KR); **Heung Ryeol Kim**, Seoul (KR);  
**Chang Kuk You**, Seoul (KR); **Eun**  
**Byul Ko**, Seoul (KR)  
(73) Assignees: **LG DISPLAY CO., LTD.**, Seoul (KR);  
**SOOKMYUNG WOMEN'S**  
**UNIVERSITY INDUSTRY**  
**ACADEMIC COOPERATION**, Seoul  
(KR)  
(\*\*) Term: **15 Years**  
(21) Appl. No.: **29/563,101**  
(22) Filed: **May 2, 2016**  
(30) **Foreign Application Priority Data**  
Oct. 30, 2015 (KR) ..... 30-2015-0054863  
(51) **LOC (10) Cl.** ..... **14-02**  
(52) **U.S. Cl.**  
USPC ..... **D14/451**  
(58) **Field of Classification Search**  
USPC ..... D14/371-382, 125-129, 335-337,  
D14/447-452, 492, 239, 457, 439-441,  
D14/432, 251-253; D8/349, 354, 363,  
D8/373, 376, 380; 348/180, 184, 325,  
348/739, 825; D12/407, 415; D3/218;  
341/12  
CPC ..... G06F 3/0412; G06F 3/016; G06F 3/0488;  
G06F 3/011; G06F 3/038; G06F 3/03543;  
(Continued)

(56) **References Cited**  
U.S. PATENT DOCUMENTS  
4,859,504 A \* 8/1989 Rossiter ..... B44F 9/04  
427/262  
D342,528 S \* 12/1993 Hupp ..... D15/136  
(Continued)  
*Primary Examiner* — Garth Rademaker  
*Assistant Examiner* — Katie Stofko  
(74) *Attorney, Agent, or Firm* — Birch, Stewart, Kolasch  
& Birch, LLP

(57) **CLAIM**  
The ornamental design for a stand for television receiver, as  
shown and described.

**DESCRIPTION**  
FIG. 1 is a perspective view of a stand for television receiver  
showing our new design;  
FIG. 2 is a front view thereof;  
FIG. 3 is a rear thereof;  
FIG. 4 is a left side view thereof where the right side view  
is a mirror image;  
FIG. 5 is a top plan view thereof;  
FIG. 6 is a bottom plan view thereof;  
FIG. 7 is a rear perspective view thereof;  
FIG. 8 is an enlarged view of the left-lower part of the front  
side thereof; and,  
FIG. 9 is a rear perspective view thereof, shown in an  
environment of use.  
The evenly-spaced broken lines in FIG. 9 illustrating a  
monitor represent environment, while the remaining evenly-  
spaced broken lines in the drawings illustrate portions of the  
stand for television receiver that form no part of the claimed  
design. The dash-dot broken lines in FIG. 8 illustrate the  
boundary of the enlarged portion of the left-lower part of the  
front side of the claimed design that form no part thereof.

**1 Claim, 8 Drawing Sheets**



(58) **Field of Classification Search**

CPC .... G06F 3/0338; G06F 3/0202; G06F 3/0219;  
G06F 3/0213; G06F 1/1616; G06F 3/023;  
G06F 3/04883; G02F 1/13338; G02F  
1/1313; G02F 1/1333; G02F 1/135; G02F  
1/132; G02F 1/133308; G02F 1/134309;  
G02F 1/13718; G09G 3/3648; G06K  
15/1252; B41J 2/465; G03F 7/70291;  
G02B 27/0172; G02B 5/30; G02B  
2027/0118; G02B 27/0101; F16M 13/02;  
F16M 13/00; F16M 11/10; F16M 11/04;  
F16M 2200/08; F16M 11/2021; A47B  
21/0341; A47B 88/044; A47B 2021/0335;  
H02G 3/126; A47G 1/17; F16B 47/00;  
F16B 47/006; A47K 2201/00

See application file for complete search history.

(56) **References Cited**

U.S. PATENT DOCUMENTS

D616,424 S *	5/2010	Li .....	D14/239
D684,945 S *	6/2013	Kang .....	D14/126
D697,921 S *	1/2014	Oh .....	D14/447
D704,707 S *	5/2014	Huh .....	D14/374
D705,225 S *	5/2014	Huh .....	D14/374
D717,569 S *	11/2014	Davis .....	D6/657
D719,680 S *	12/2014	Priest .....	D25/62
D729,187 S *	5/2015	Kim .....	D14/126
D759,659 S *	6/2016	Lee .....	D14/451
D762,625 S *	8/2016	Yoo .....	D14/126
D774,711 S *	12/2016	Seo .....	D32/3

\* cited by examiner

FIG. 1

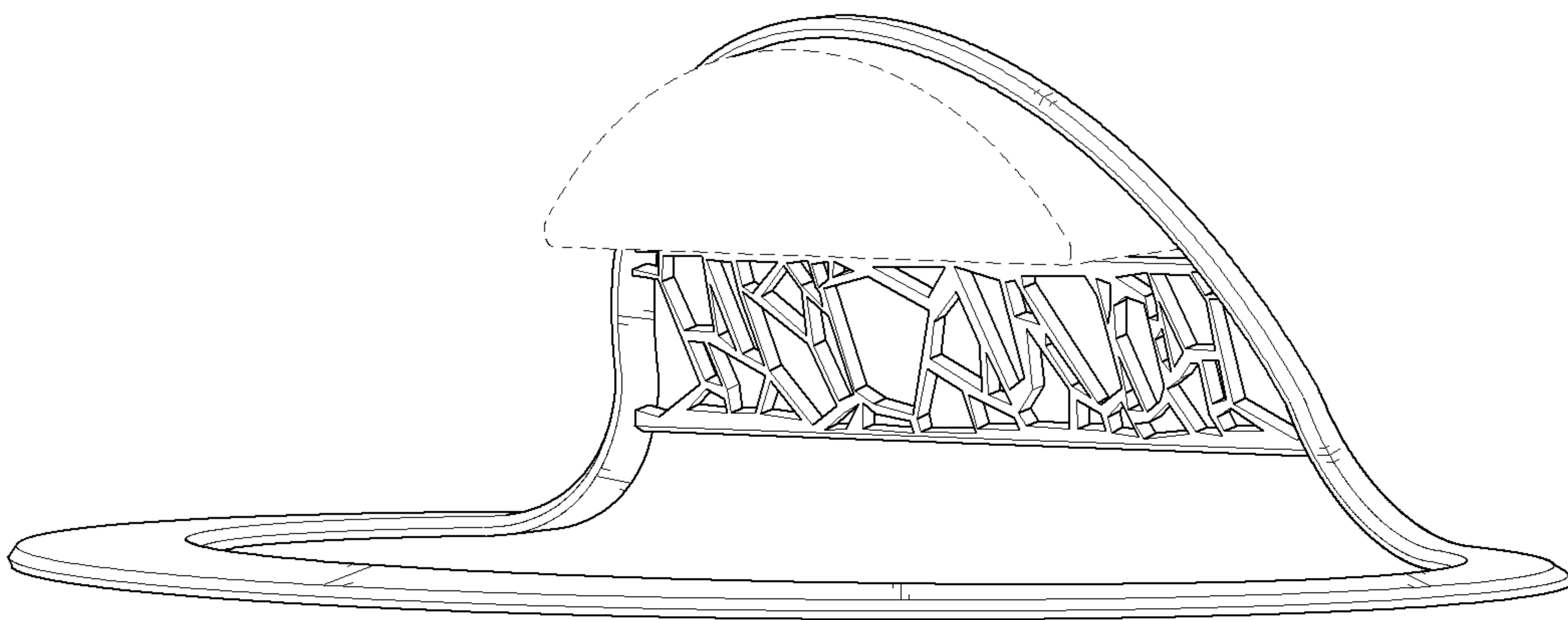


FIG. 2

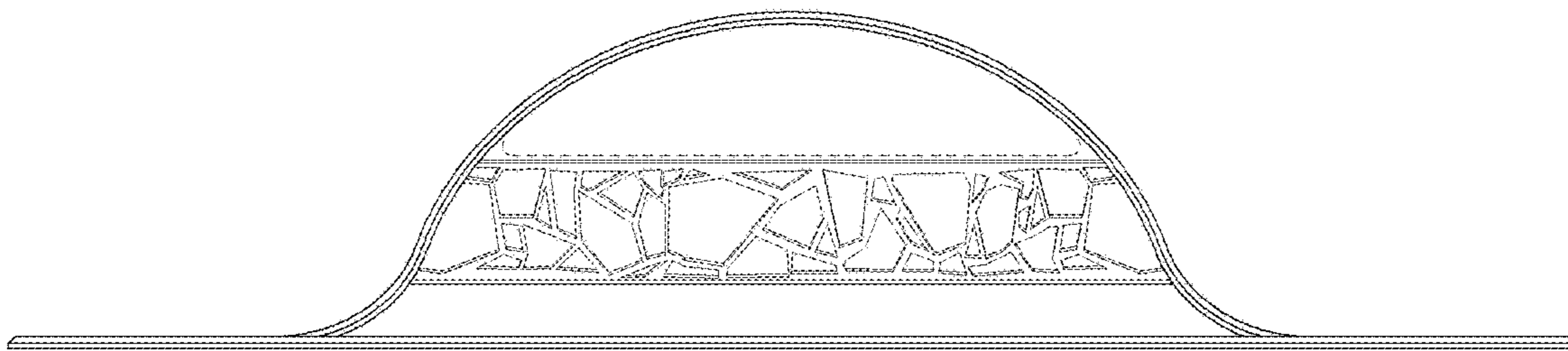


FIG. 3

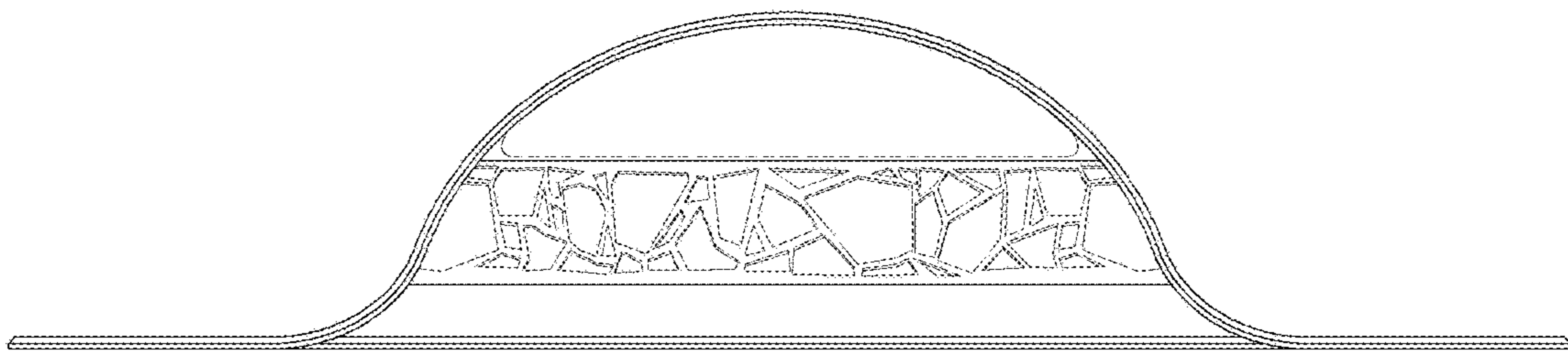


FIG. 4

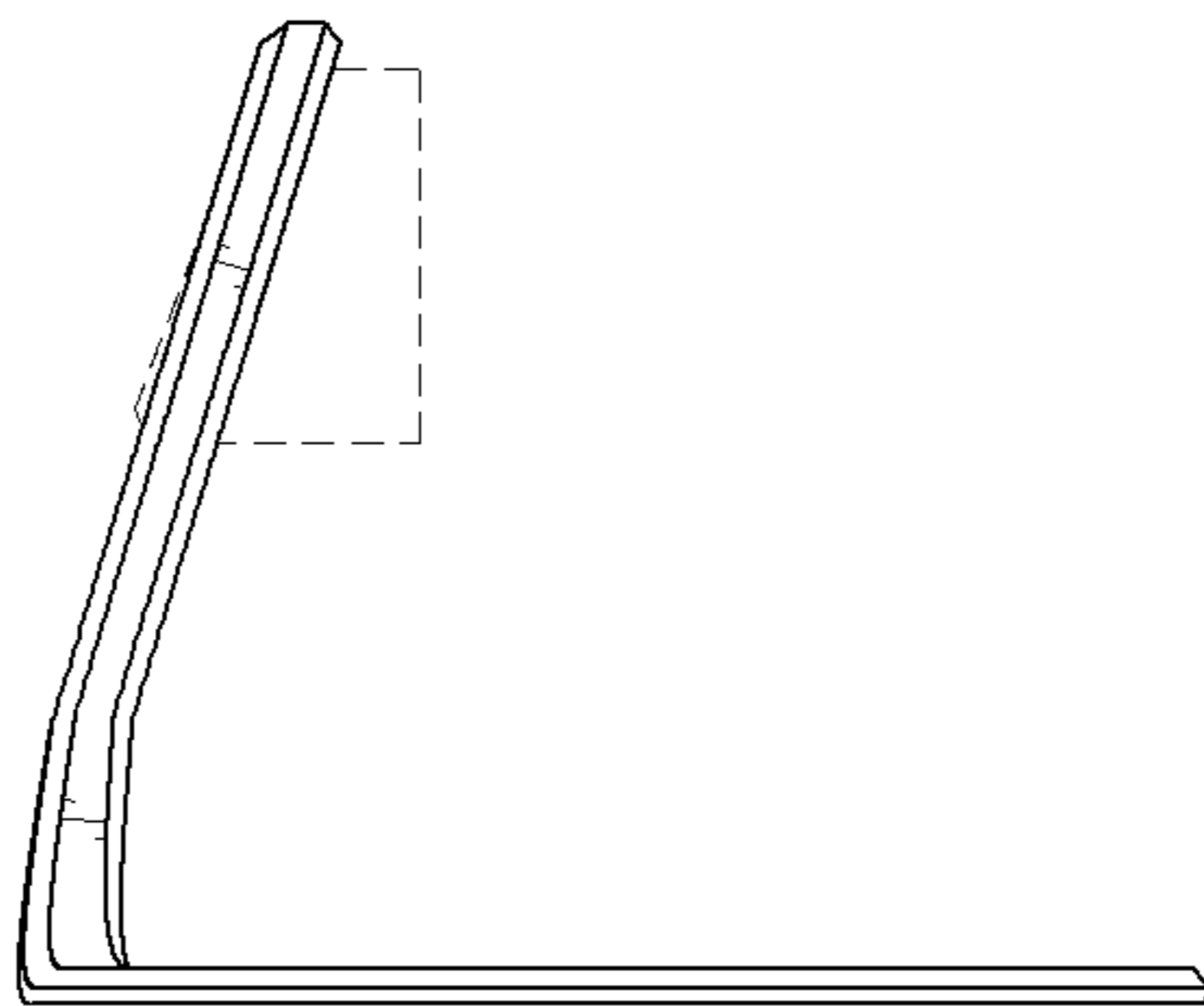


FIG. 5

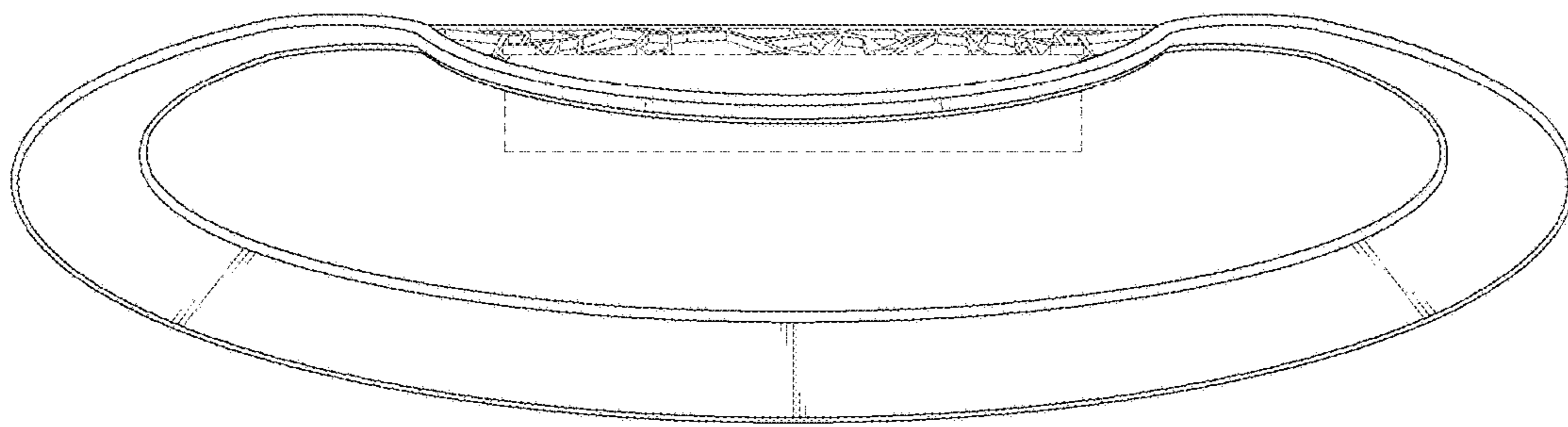


FIG. 6

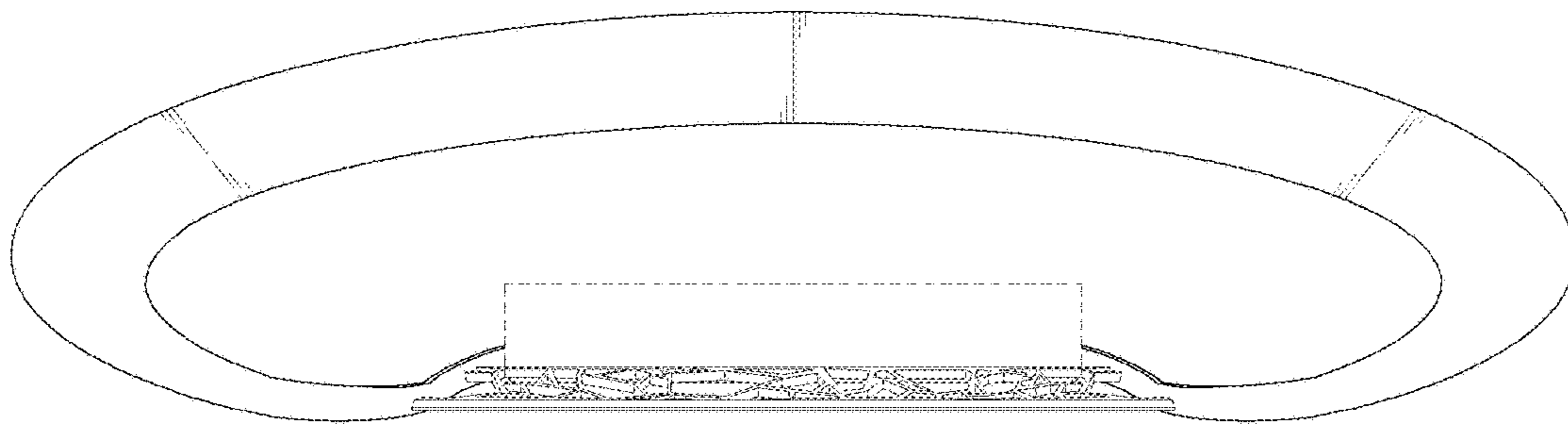


FIG. 7

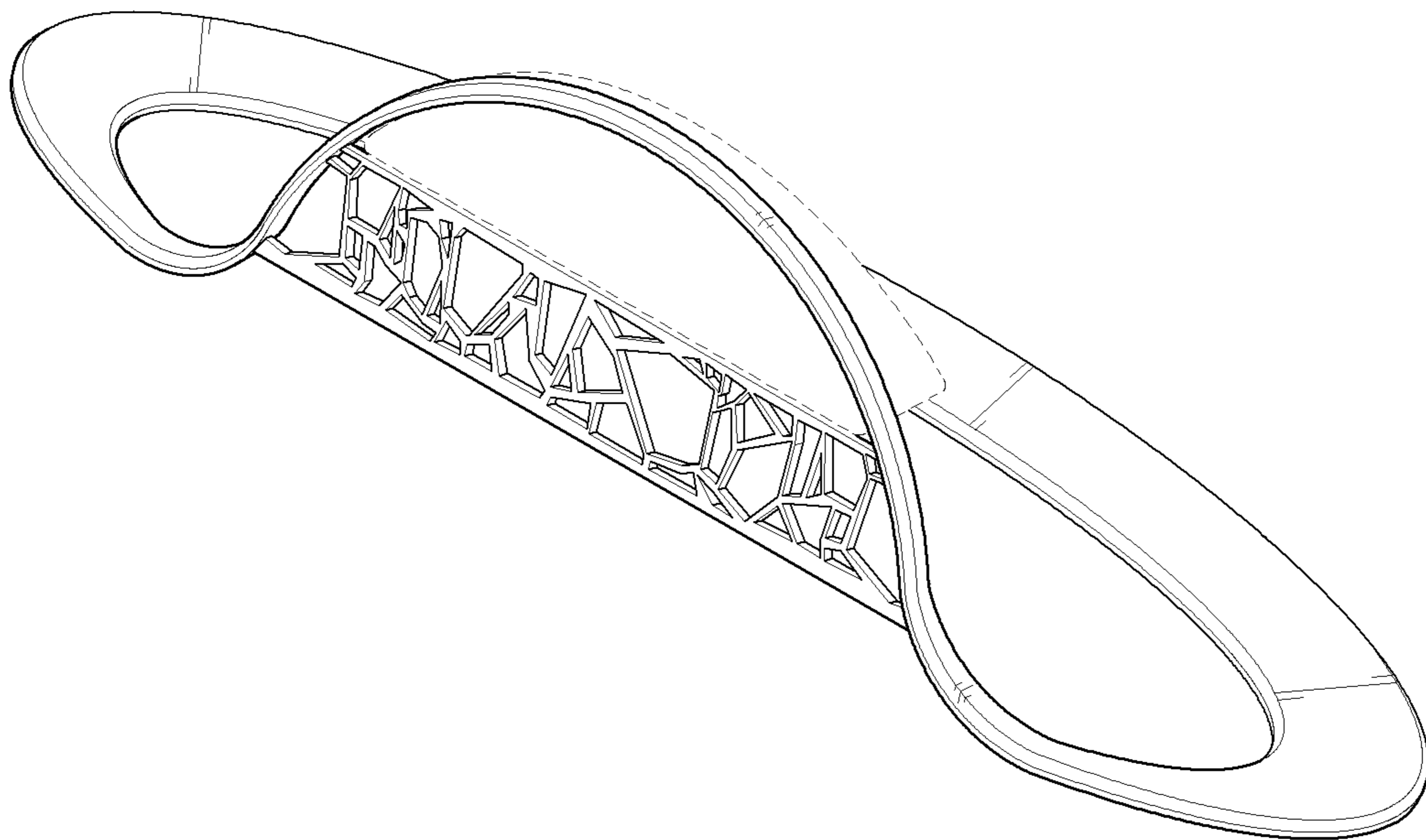




FIG. 8

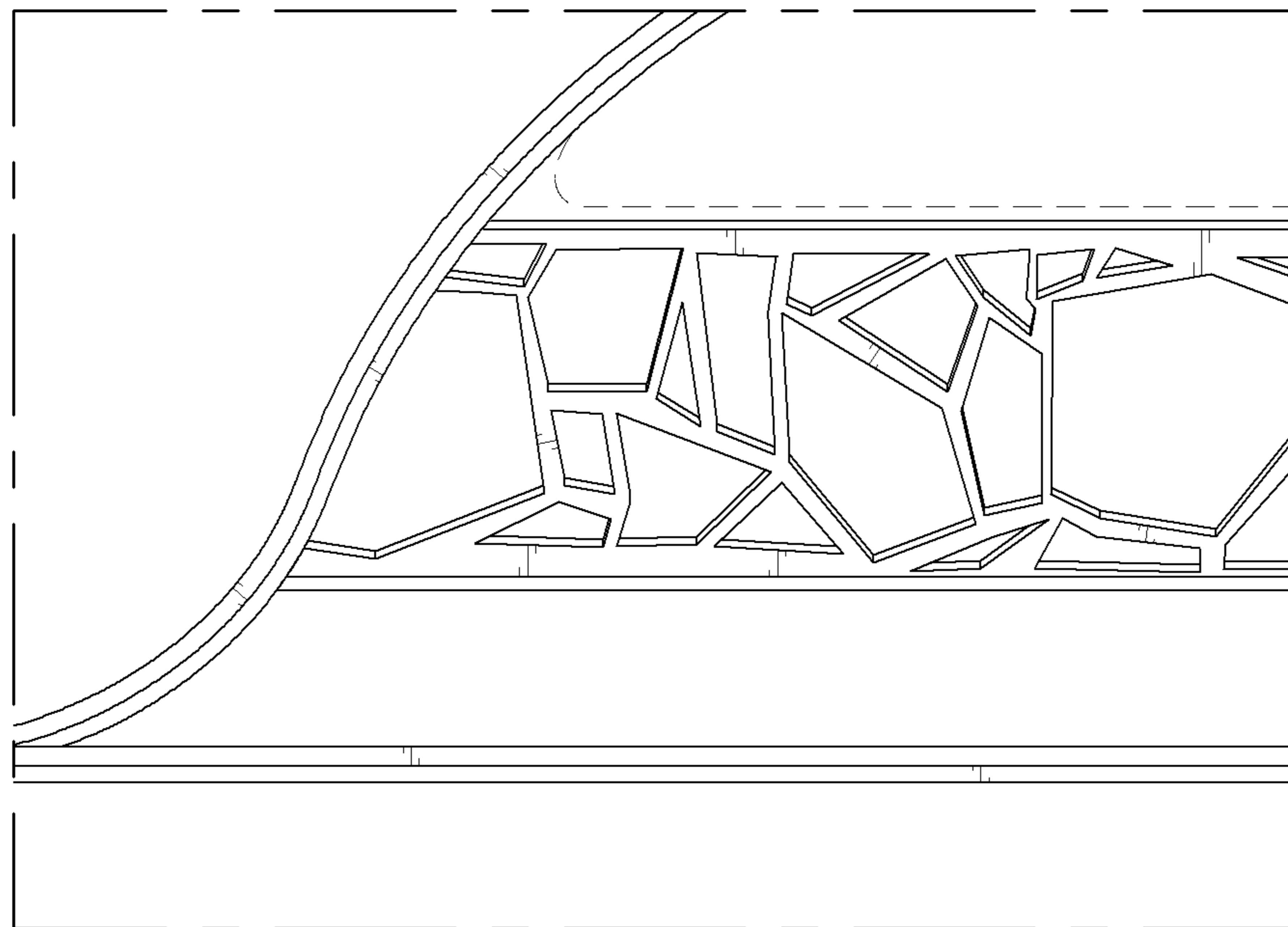


FIG. 9

