

US00D796516S

(12) **United States Design Patent**
Grote

(10) **Patent No.:** **US D796,516 S**

(45) **Date of Patent:** **** Sep. 5, 2017**

(54) **ARM BAND PORTABLE ELECTRONIC
DEVICE CASE**

(71) Applicant: **Griffin Technology, LLC**, Irvine, CA
(US)

(72) Inventor: **Paul S. Grote**, Old Hickory, TN (US)

(73) Assignee: **Griffin Technology, LLC**, Irvine, CA
(US)

(**) Term: **15 Years**

(21) Appl. No.: **29/535,433**

(22) Filed: **Aug. 6, 2015**

(51) **LOC (10) Cl.** **14-02**

(52) **U.S. Cl.**
USPC **D14/440**

(58) **Field of Classification Search**
USPC D14/250, 440, 447; 206/45.23, 320,
206/45.2; 361/679.55; 294/25; 224/218,
224/222; D9/414; D3/29; D11/3
CPC G06F 1/1628; G06F 1/1667; G06F 1/1626;
A47B 23/044; H04B 1/3888; A45C 11/00
See application file for complete search history.

(56) **References Cited**

U.S. PATENT DOCUMENTS

D531,524 S *	11/2006	Behling	D10/38
D564,367 S *	3/2008	Molyneux	D10/31
D638,324 S *	5/2011	Tang	D10/128
D647,107 S *	10/2011	Akana	D14/203.3
D656,135 S *	3/2012	Swartz	D14/238.1
8,256,612 B1 *	9/2012	Wang	A45C 11/00 206/320
D671,930 S *	12/2012	Akana	D14/250
D674,789 S *	1/2013	Wen	D14/250
D678,262 S *	3/2013	Prato	D14/250
D681,483 S *	5/2013	Biegert	D10/38
D688,582 S *	8/2013	Wilson	D10/128

D688,967 S *	9/2013	Wilson	D10/128
8,523,124 B2 *	9/2013	Yuan	F16M 11/10 248/188.8
D693,709 S *	11/2013	Lee	D10/65
D703,649 S *	4/2014	Wikel	D14/250
D714,295 S *	9/2014	Fujioka	D14/440
D716,312 S *	10/2014	Fujioka	D14/440
D723,016 S *	2/2015	Lee	D14/250
D725,533 S *	3/2015	Riddiford	D11/3
D726,056 S *	4/2015	Riddiford	D11/3

(Continued)

Primary Examiner — Cynthia Underwood

(74) *Attorney, Agent, or Firm* — Manatt, Phelps &
Phillips, LLP

(57) **CLAIM**

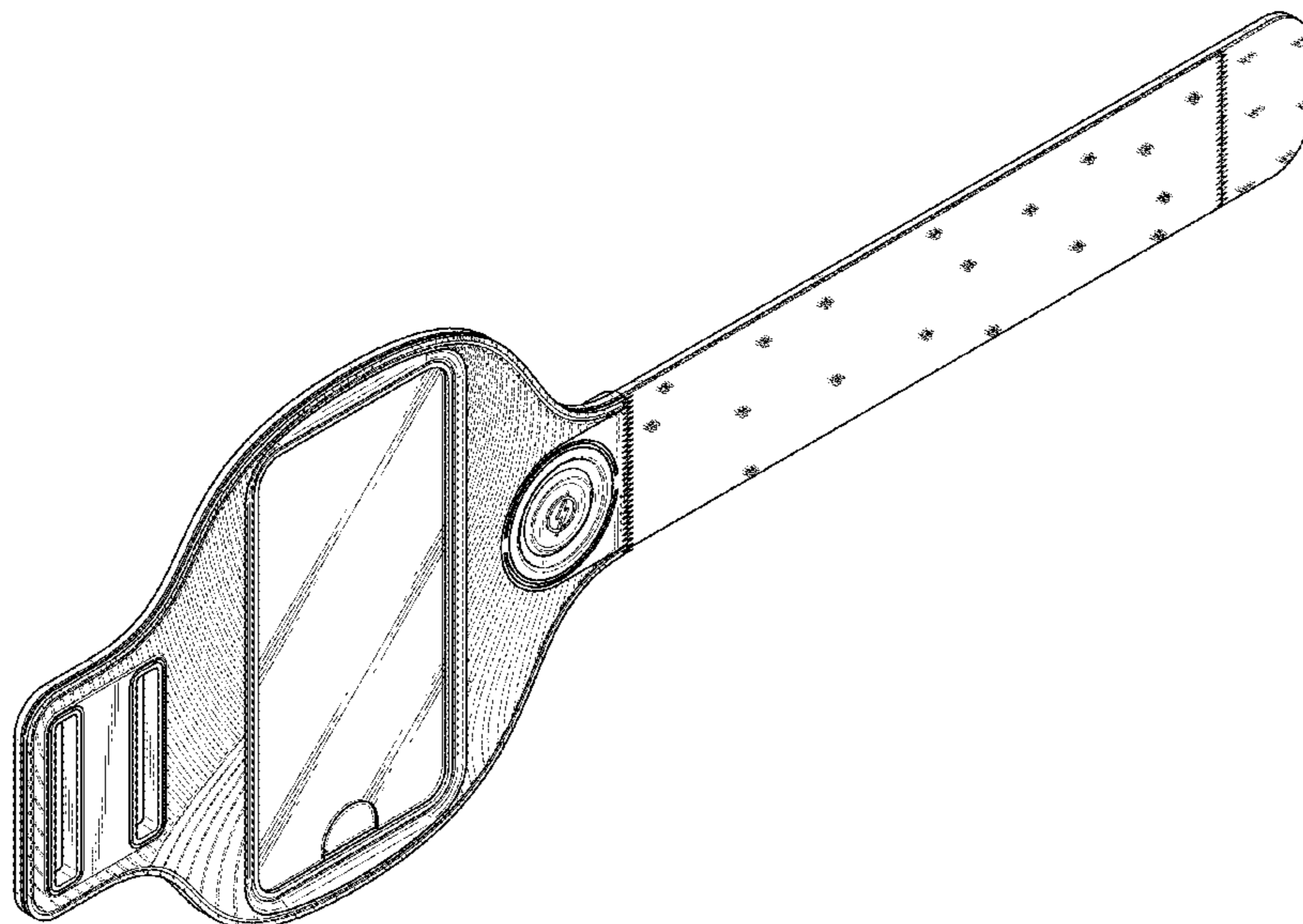
The ornamental design for an arm band portable electronic device case, as shown and described.

DESCRIPTION

FIG. 1 is an enlarged front perspective view of the new design for an arm band portable electronic device case; FIG. 2 is an enlarged back perspective view of the arm band portable electronic device case; FIG. 3 is a front view of the arm band portable electronic device case; FIG. 4 is a bottom view of the arm band portable electronic device case; FIG. 5 is a top view of the arm band portable electronic device case; and, FIG. 6 is a right side and left side view of the arm band portable electronic device case; and, FIG. 7 is a back view of the arm band portable electronic device case.

The broken lines represent environment and forms no part of the claim. The sporadic surface shading in FIGS. 1 and 3 represents the fabric surface on the entire surface of the feature shown.

1 Claim, 3 Drawing Sheets



(56)

References Cited

U.S. PATENT DOCUMENTS

D728,549	S *	5/2015	Su	D14/250
D730,225	S *	5/2015	Behar	D10/103
D735,198	S *	7/2015	Song	D14/432
D735,199	S *	7/2015	Song	D14/432
D735,200	S *	7/2015	Song	D14/432
D735,586	S *	8/2015	Stegmann	D10/30
D735,724	S *	8/2015	Song	D14/432
D736,103	S *	8/2015	Behling	D10/30
D751,067	S *	3/2016	Nousiainen	D10/38
D751,558	S *	3/2016	Lee	D10/103
D752,044	S *	3/2016	Akana	D14/344
D754,133	S *	4/2016	Chen	D14/440
D761,263	S *	7/2016	Brinkman	D14/440
D766,904	S *	9/2016	Jung	D14/440
D766,905	S *	9/2016	Lee	D14/440
D766,906	S *	9/2016	Kim	D14/440
D767,573	S *	9/2016	Kim	D14/440
D769,879	S *	10/2016	Kim	D14/440
2010/0061191	A1 *	3/2010	Chen	A44C 5/0069 368/109
2011/0297578	A1 *	12/2011	Stiehl	B29C 45/1676 206/701
2012/0043236	A1 *	2/2012	Szucs	A45C 11/00 206/320
2012/0182678	A1 *	7/2012	Wu	A45F 5/10 361/679.01
2012/0257340	A1 *	10/2012	Kim	H04B 1/3888 361/679.01
2013/0222139	A1 *	8/2013	Gouge	A61B 5/01 340/573.1

* cited by examiner

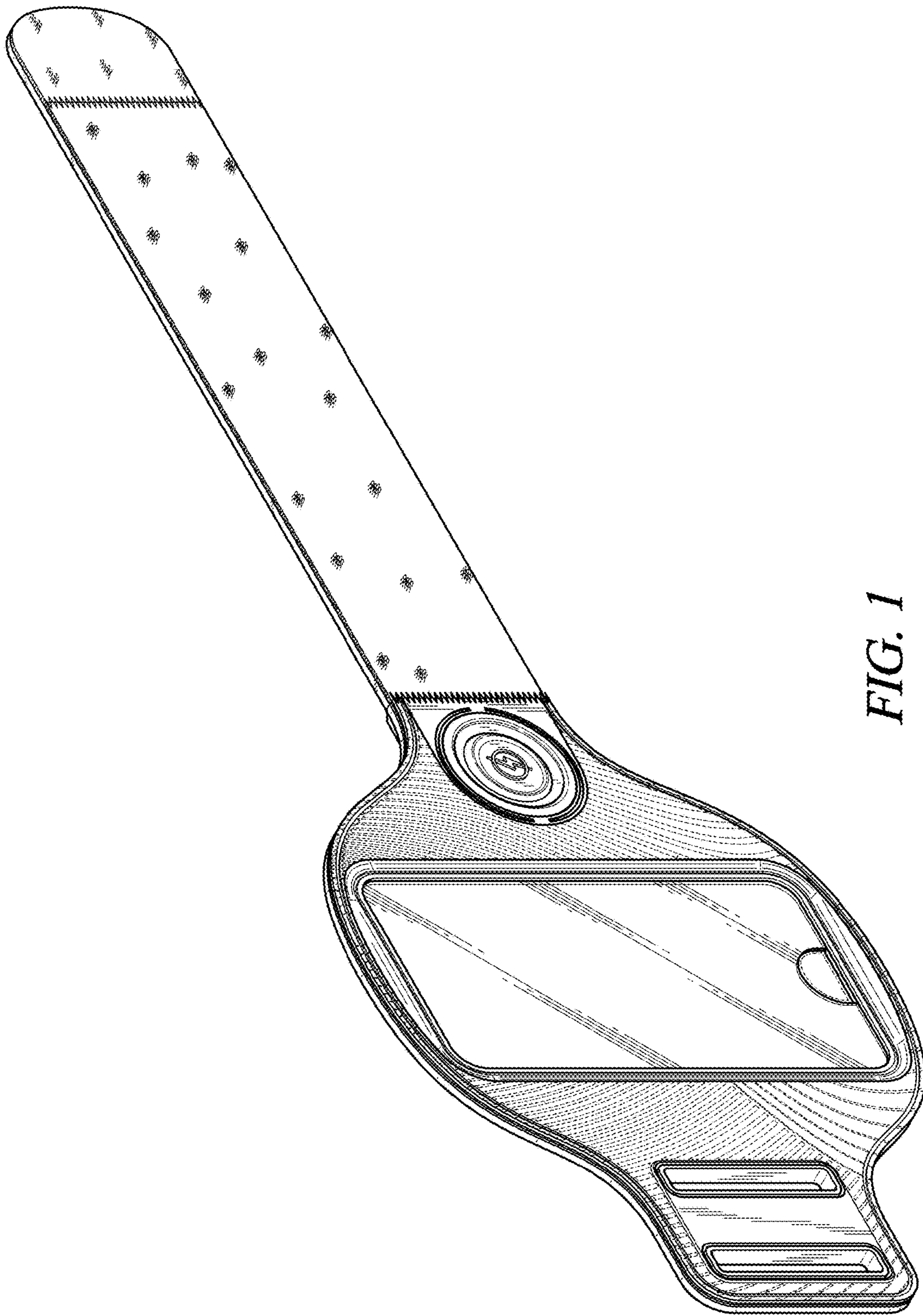


FIG. 1

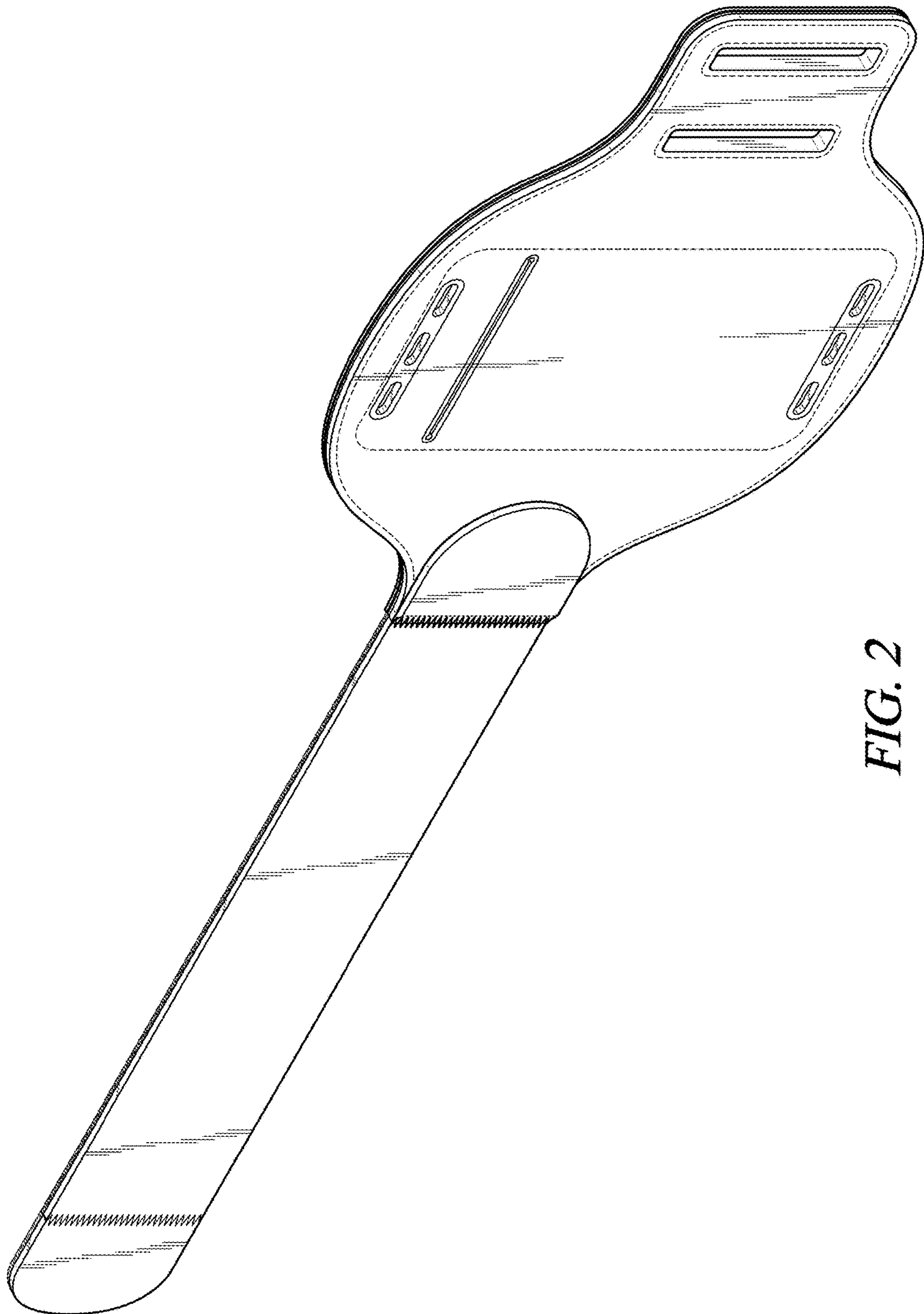


FIG. 2

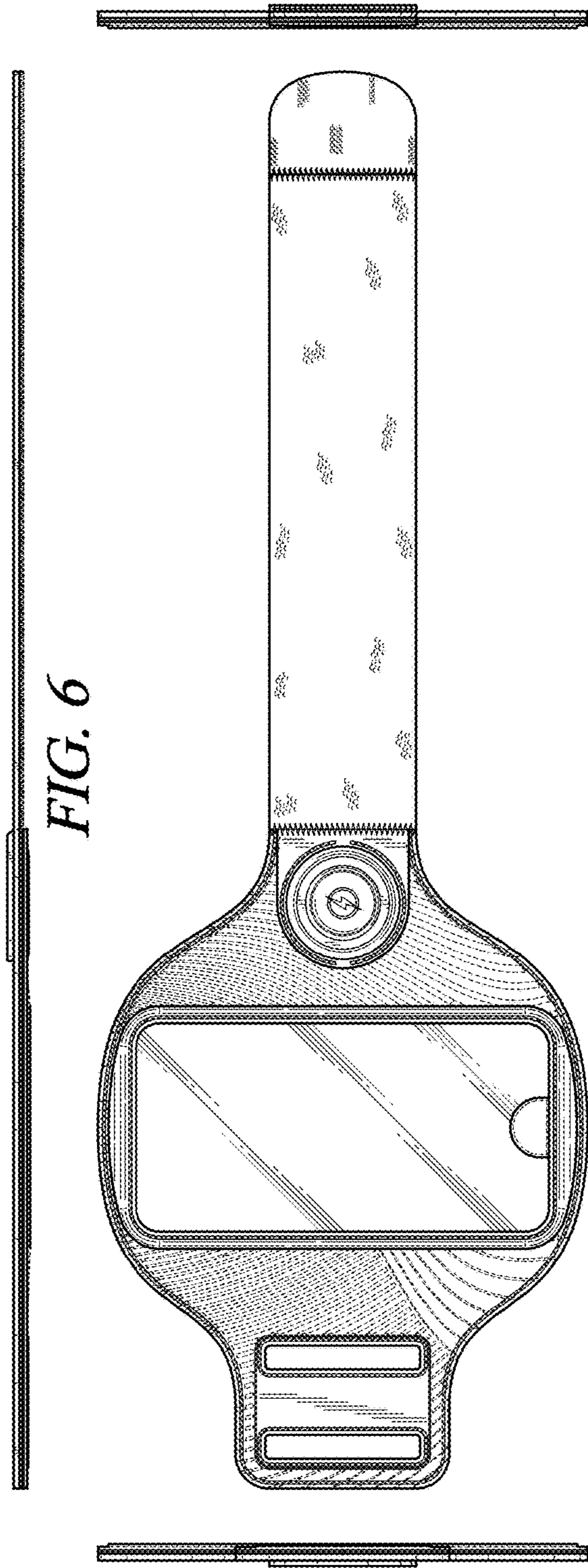


FIG. 5

FIG. 4

FIG. 7

