



US00D796514S

(12) **United States Design Patent** (10) **Patent No.:** **US D796,514 S**  
**Xu** (45) **Date of Patent:** **\*\* Sep. 5, 2017**

(54) **ADAPTER**  
(71) Applicant: **FOXCONN INTERCONNECT TECHNOLOGY LIMITED**, Grand Cayman, KY (US)  
(72) Inventor: **Yin-Chao Xu**, Kunshan (CN)  
(73) Assignee: **FOXCONN INTERCONNECT TECHNOLOGY LIMITED**, Grand Cayman (KY)

D587,209 S \* 2/2009 Tsai ..... D13/147  
D604,725 S \* 11/2009 Chen ..... D13/184  
D618,226 S \* 6/2010 Tong ..... D13/133  
D618,240 S \* 6/2010 Larmour ..... D14/230  
D631,883 S \* 2/2011 Maier ..... D14/435.1  
D665,734 S \* 8/2012 Fitch ..... D13/107  
D683,703 S \* 6/2013 Akana ..... D13/147  
D691,095 S \* 10/2013 Izen ..... D13/147  
8,734,169 B2 \* 5/2014 Werner ..... H01R 12/7047  
29/825  
9,160,124 B2 \* 10/2015 Colahan ..... H01R 31/06  
D759,017 S \* 6/2016 Schwalbach ..... D14/433  
D769,877 S \* 10/2016 Akana ..... D14/433  
D772,878 S \* 11/2016 Chiang ..... D14/433  
D781,294 S \* 3/2017 Schwalbach ..... D14/433  
2007/0293079 A1 \* 12/2007 Chao ..... H01R 13/6275  
439/352

(\*\*) Term: **15 Years**

(21) Appl. No.: **29/589,998**

(22) Filed: **Jan. 6, 2017**

(30) **Foreign Application Priority Data**

Jul. 8, 2016 (CN) ..... 2016 3 0309716

(51) **LOC (10) Cl.** ..... **14-02**

(52) **U.S. Cl.**  
USPC ..... **D14/433**

(58) **Field of Classification Search**  
USPC .... D14/356, 432-434, 453, 454, 511, 203.8,  
D14/209.1, 238.1, 240, 125; 439/638,  
439/928, 105, 502; 710/303, 304;  
361/679.41, 679.55, 679.56; D13/110,  
D13/133, 146

CPC ..... H01R 24/64; H01R 24/62; H01R 12/714;  
H01R 13/506; H01R 13/6658

See application file for complete search history.

(56) **References Cited**

**U.S. PATENT DOCUMENTS**

D454,110 S \* 3/2002 Andre ..... D13/110  
D531,127 S \* 10/2006 Zhong ..... D13/147  
D578,991 S \* 10/2008 Donovan ..... D14/155

**FOREIGN PATENT DOCUMENTS**

CN 105449421 A 3/2016

\* cited by examiner

*Primary Examiner* — Austin Murphy

(74) *Attorney, Agent, or Firm* — Wei Te Chung; Ming Chieh Chang

(57) **CLAIM**

The ornamental design is for a adapter, as shown and described.

**DESCRIPTION**

FIG. 1 is a perspective view of a adapter showing my new design;

FIG. 2 is a front elevational view thereof;

FIG. 3 is a rear elevational view thereof;

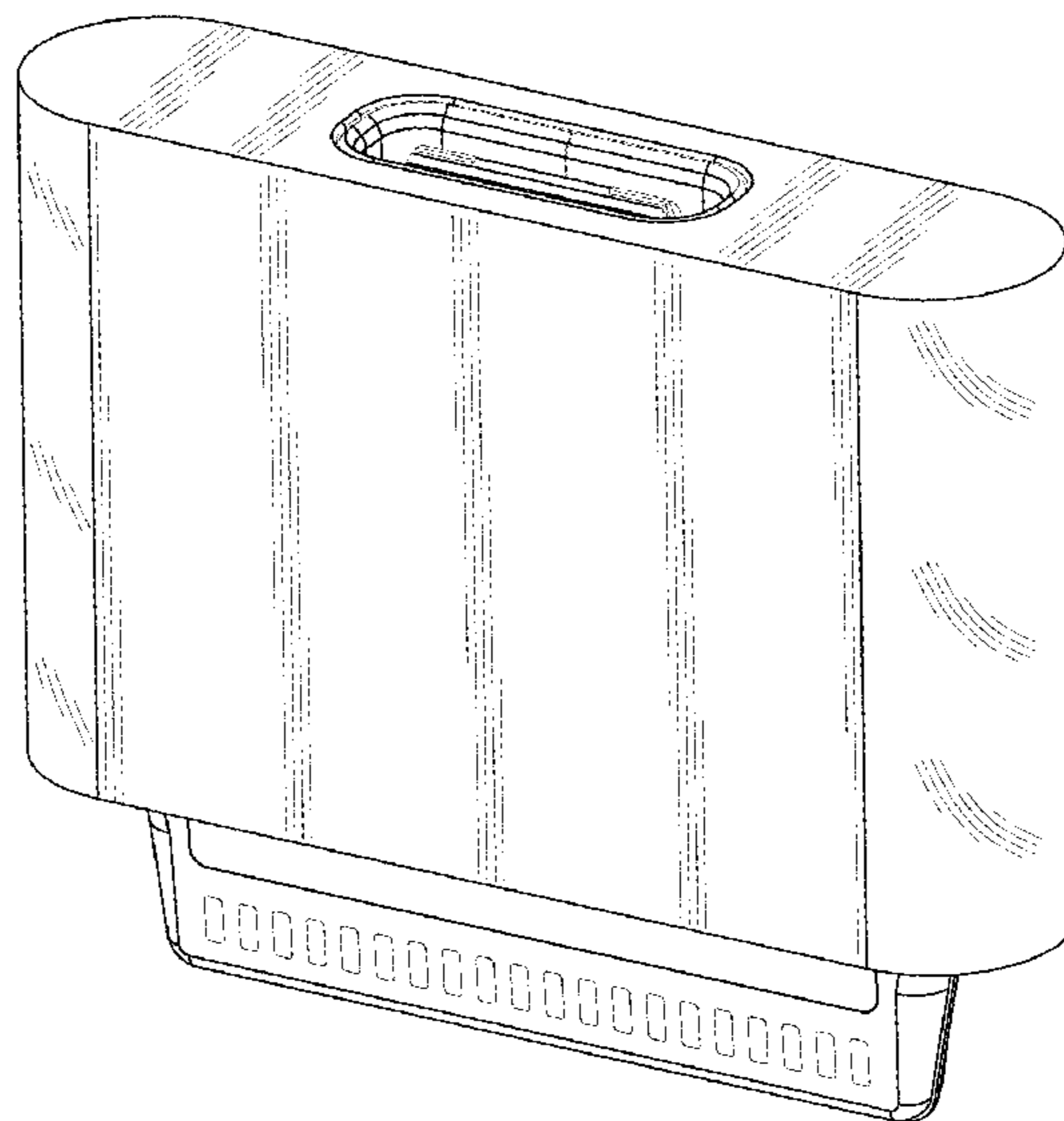
FIG. 4 is a left side elevational view thereof;

FIG. 5 is a right side elevational view thereof;

FIG. 6 is a top plan view thereof; and,

FIG. 7 is a bottom plan view thereof.

**1 Claim, 7 Drawing Sheets**



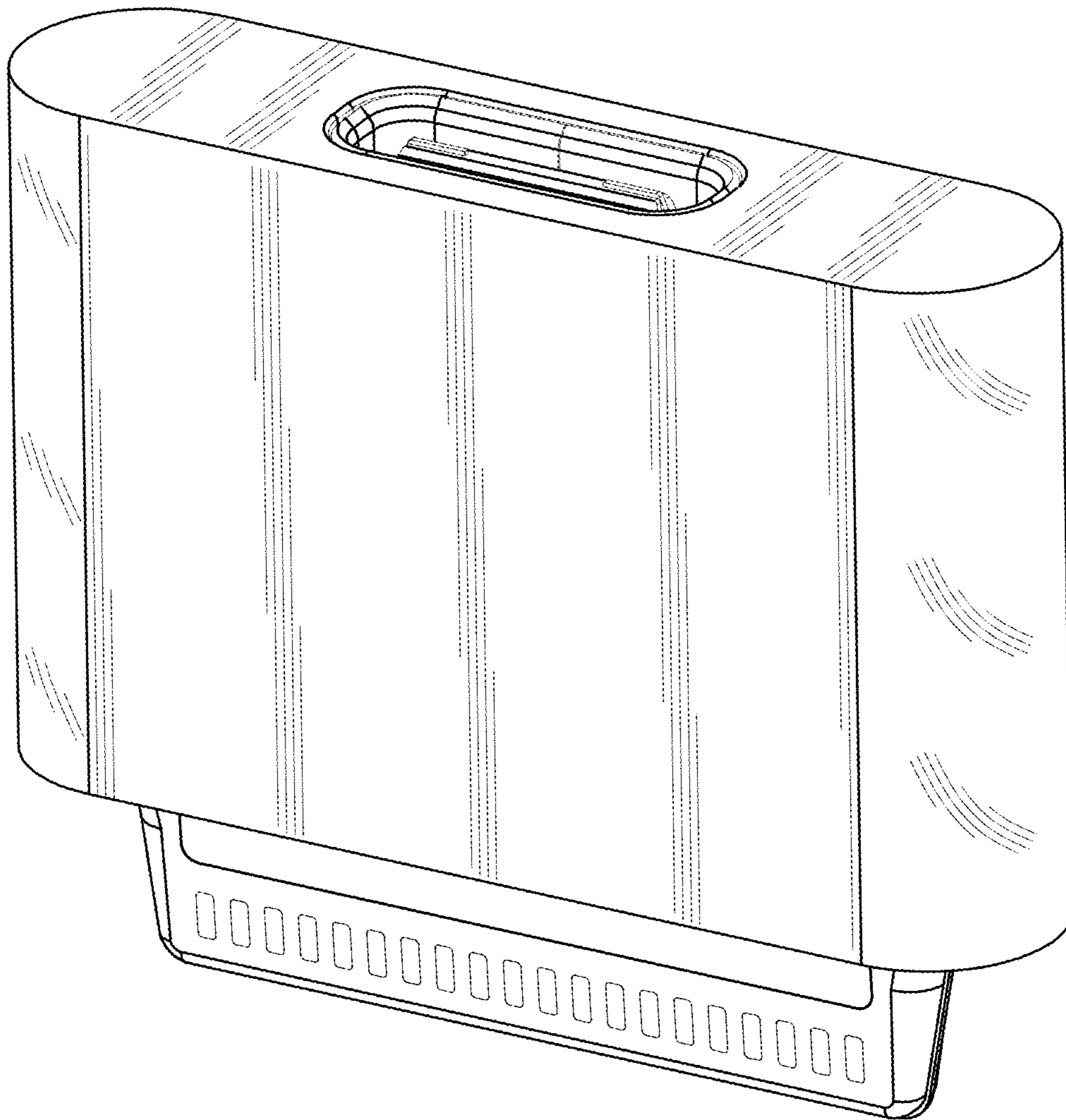


FIG. 1

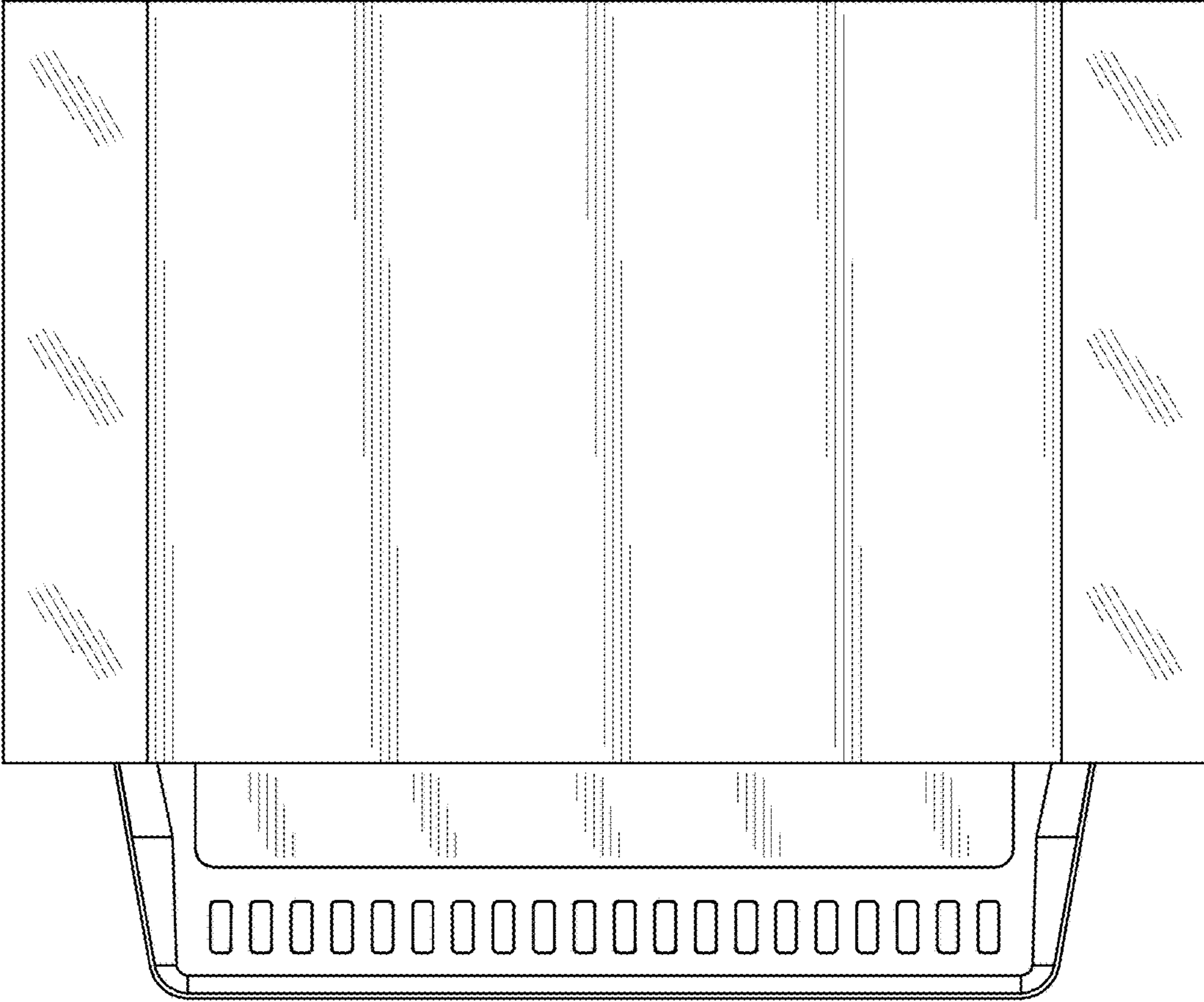


FIG. 2

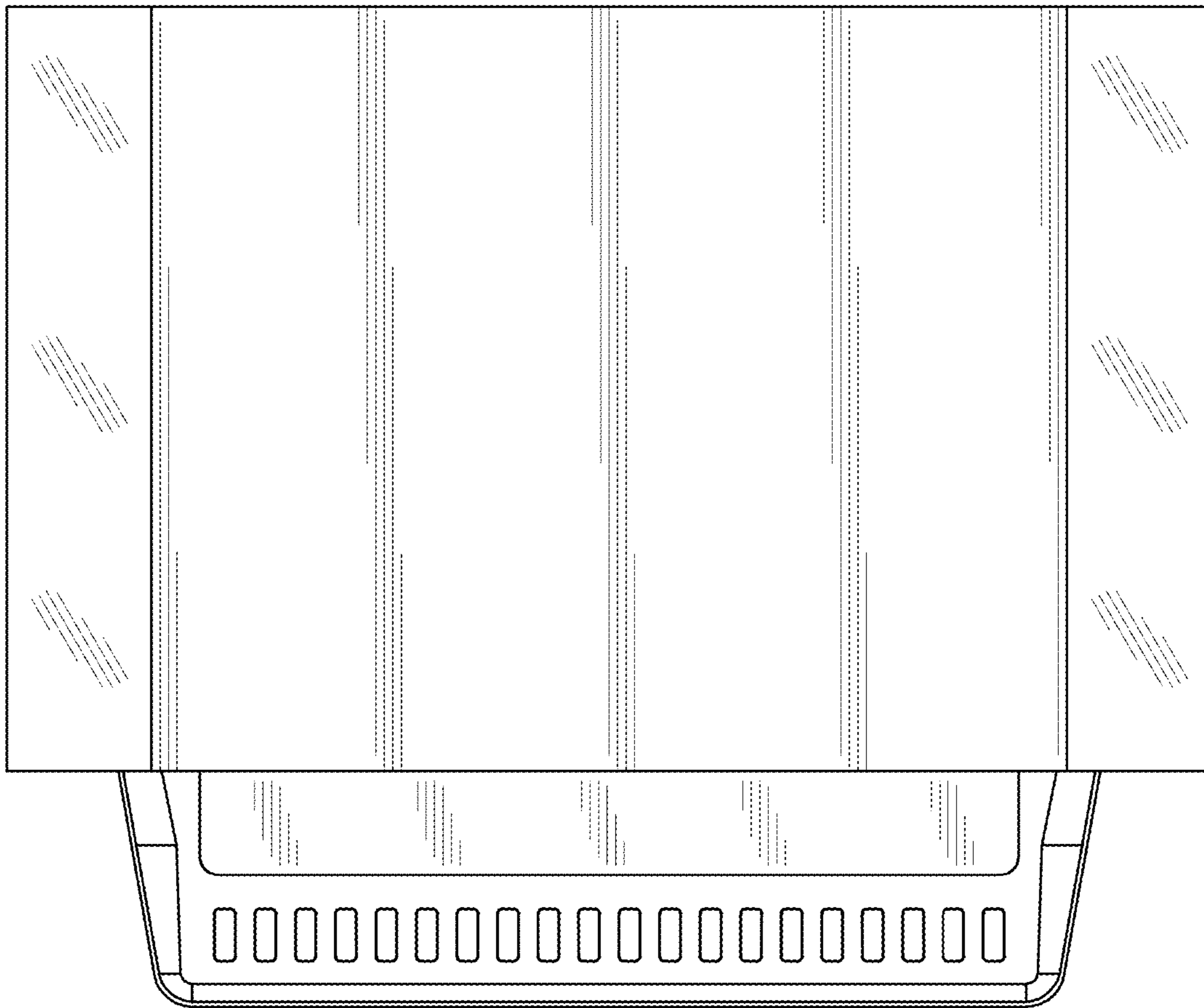


FIG. 3

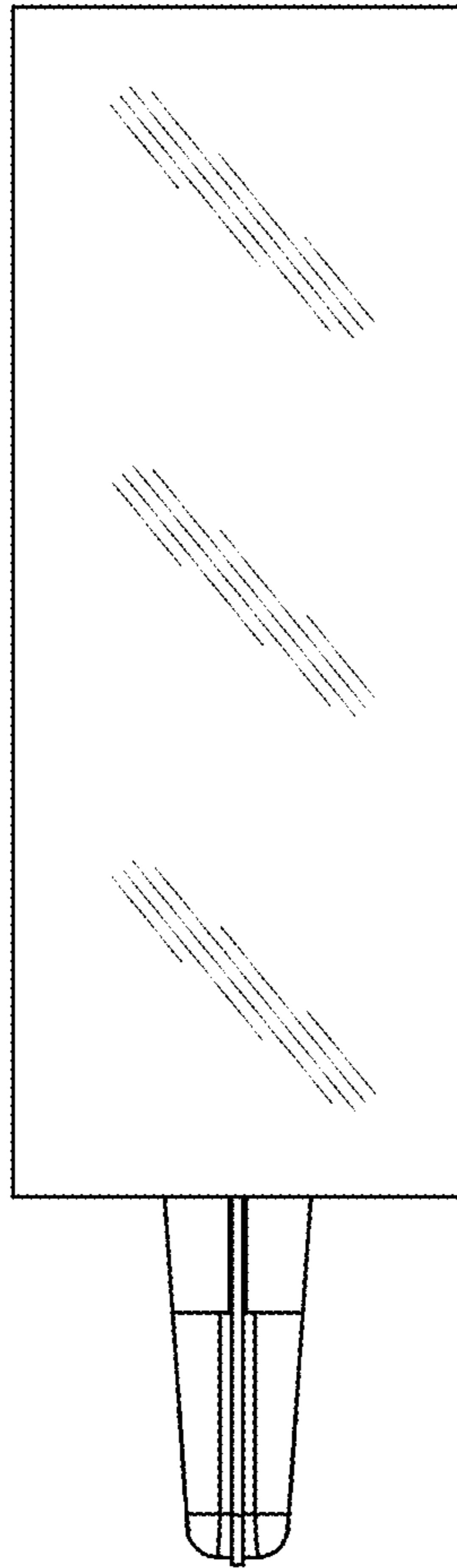


FIG. 4

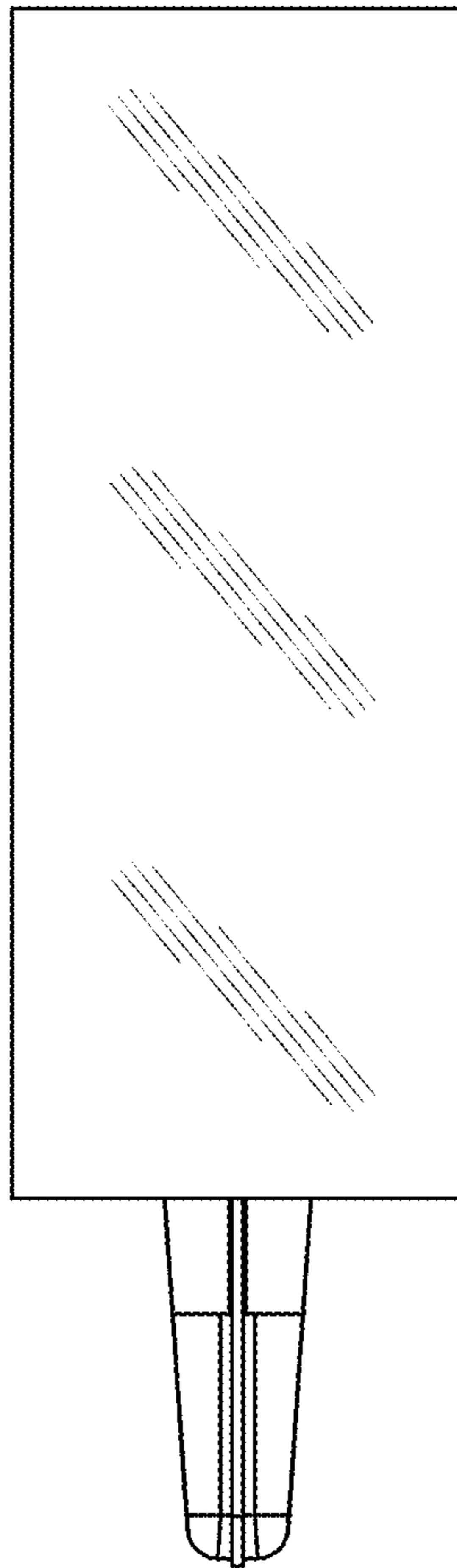


FIG. 5

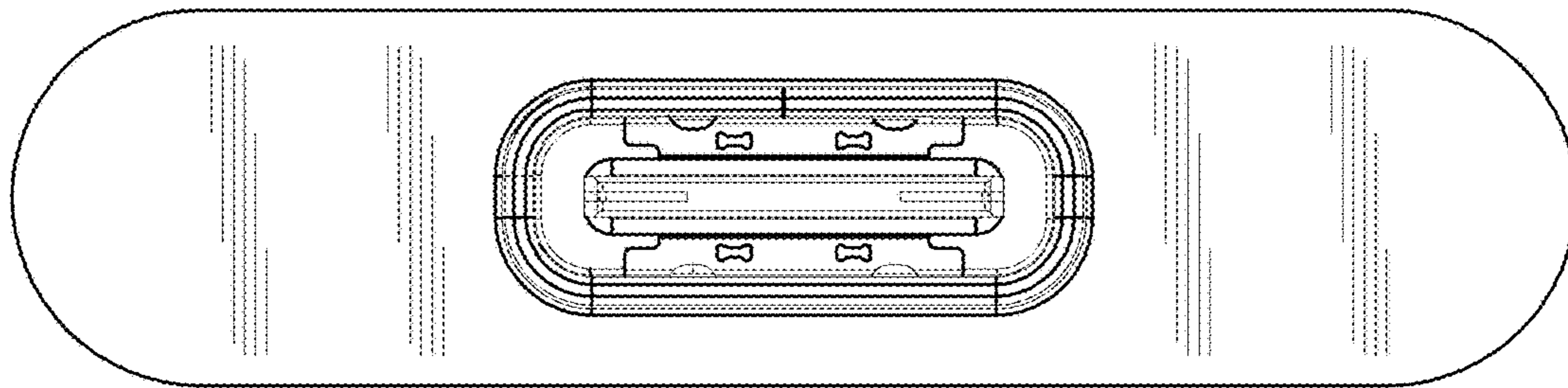


FIG. 6

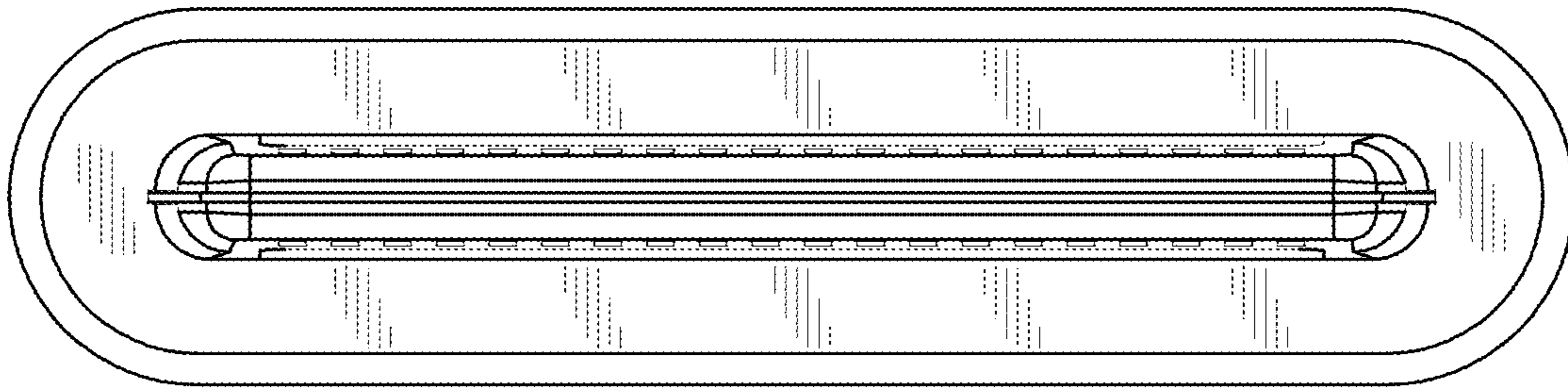


FIG. 7