



US00D796509S

(12) **United States Design Patent** (10) **Patent No.:** **US D796,509 S**
Oh et al. (45) **Date of Patent:** **** Sep. 5, 2017**

(54) **MONITOR**

(56) **References Cited**

(71) Applicant: **LG ELECTRONICS INC.**, Seoul (KR)

U.S. PATENT DOCUMENTS

(72) Inventors: **Sunghoon Oh**, Seoul (KR); **Sooyoung Park**, Seoul (KR); **Jaeneung Jung**, Seoul (KR)

6,962,312	B2 *	11/2005	Shih	F16M 11/10
				248/122.1
D600,696	S *	9/2009	Andre	D14/371
D648,336	S *	11/2011	Yagi	D14/374
8,047,488	B2 *	11/2011	Wang	F16M 11/10
				248/176.1
D684,944	S *	6/2013	Seong	D14/126
D691,998	S *	10/2013	Seo	D14/374
D694,750	S *	12/2013	Shin	D14/337
D706,734	S *	6/2014	Takami	D14/126
2002/0020792	A1 *	2/2002	Lee	F16M 11/10
				248/278.1

(73) Assignee: **LG Electronics Inc.**, Seoul (KR)

(**) Term: **15 Years**

(21) Appl. No.: **29/560,326**

(22) Filed: **Apr. 5, 2016**

(30) **Foreign Application Priority Data**

Oct. 6, 2015 (KR) 30-2015-0050321

(51) **LOC (10) Cl.** **14-02**

(52) **U.S. Cl.**

USPC **D14/374**

(58) **Field of Classification Search**

USPC D14/371-375, 125-129, 336, 337, 341, D14/239; 341/12; 345/104, 156, 168, 345/173; 348/180, 184, 325, 739; 349/1, 349/2, 11, 62; 361/679.05-679.07, 361/679.21; D6/300, 308

CPC G06F 1/16; G06F 1/1601; G06F 3/037; G06F 1/162; G06F 1/1613; G06F 1/133308; F16M 11/02; F16M 11/10; F16M 11/00; F16M 11/06; F16M 11/18; F16M 11/045; F16M 11/105; F16M 11/041; F16M 11/126

See application file for complete search history.

* cited by examiner

Primary Examiner — Freda S Nunn

(74) *Attorney, Agent, or Firm* — Birch, Stewart, Kolasch & Birch, LLP

(57) **CLAIM**

The ornamental design for a monitor, as shown and described.

DESCRIPTION

FIG. 1 is a front, right side, perspective view of a monitor showing our new design wherein the upright, vertical portion of the stand is transparent;
FIG. 2 is a front view thereof;
FIG. 3 is a rear view thereof;
FIG. 4 is a left side view thereof;
FIG. 5 is a right side view thereof;
FIG. 6 is a top view thereof; and
FIG. 7 is a bottom view thereof; and
FIG. 8 is a front, right side, perspective view thereof.
The broken lines indicate unclaimed portion of the article that form no part of the claimed design.

1 Claim, 7 Drawing Sheets

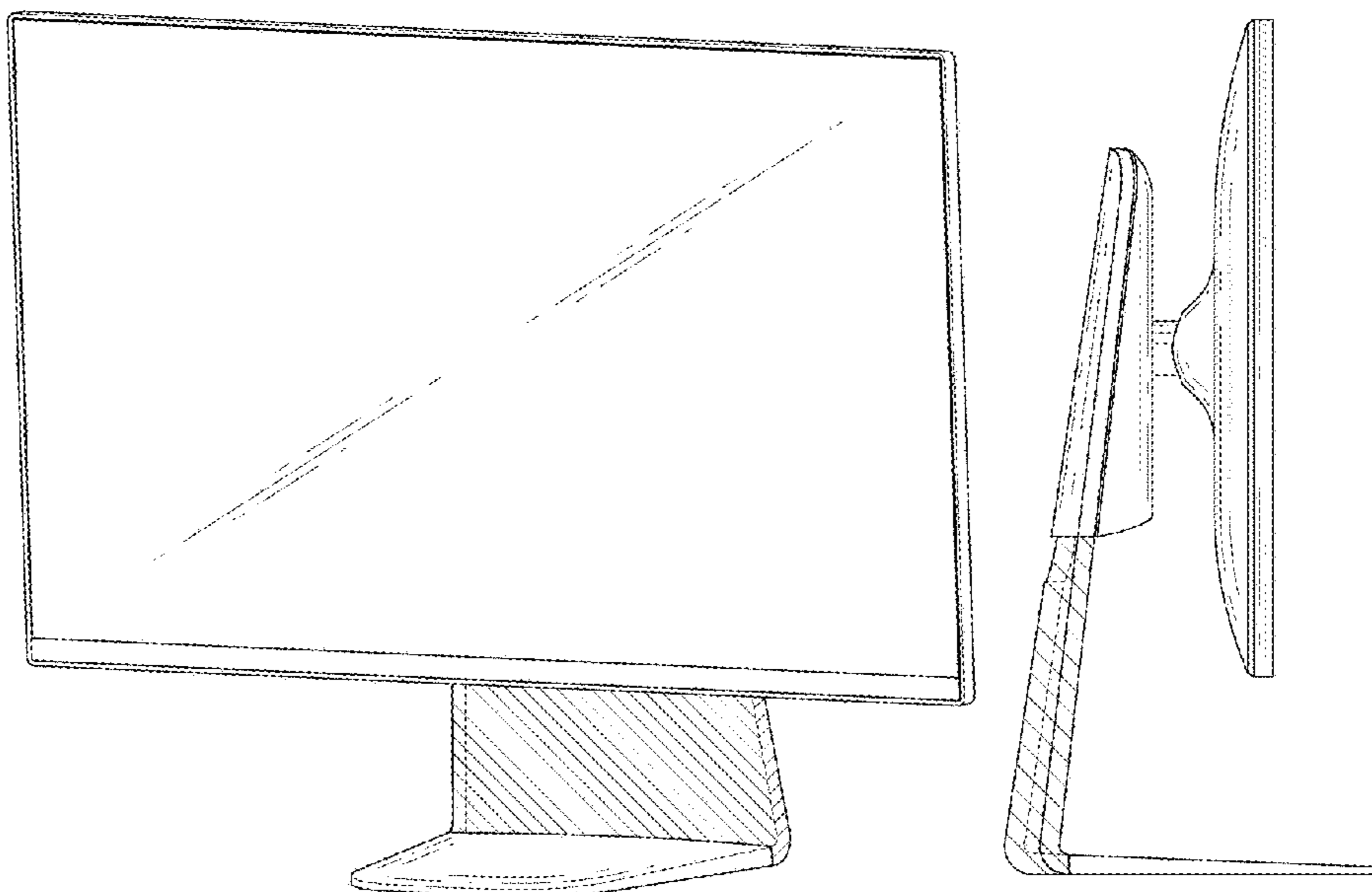


FIG. 1

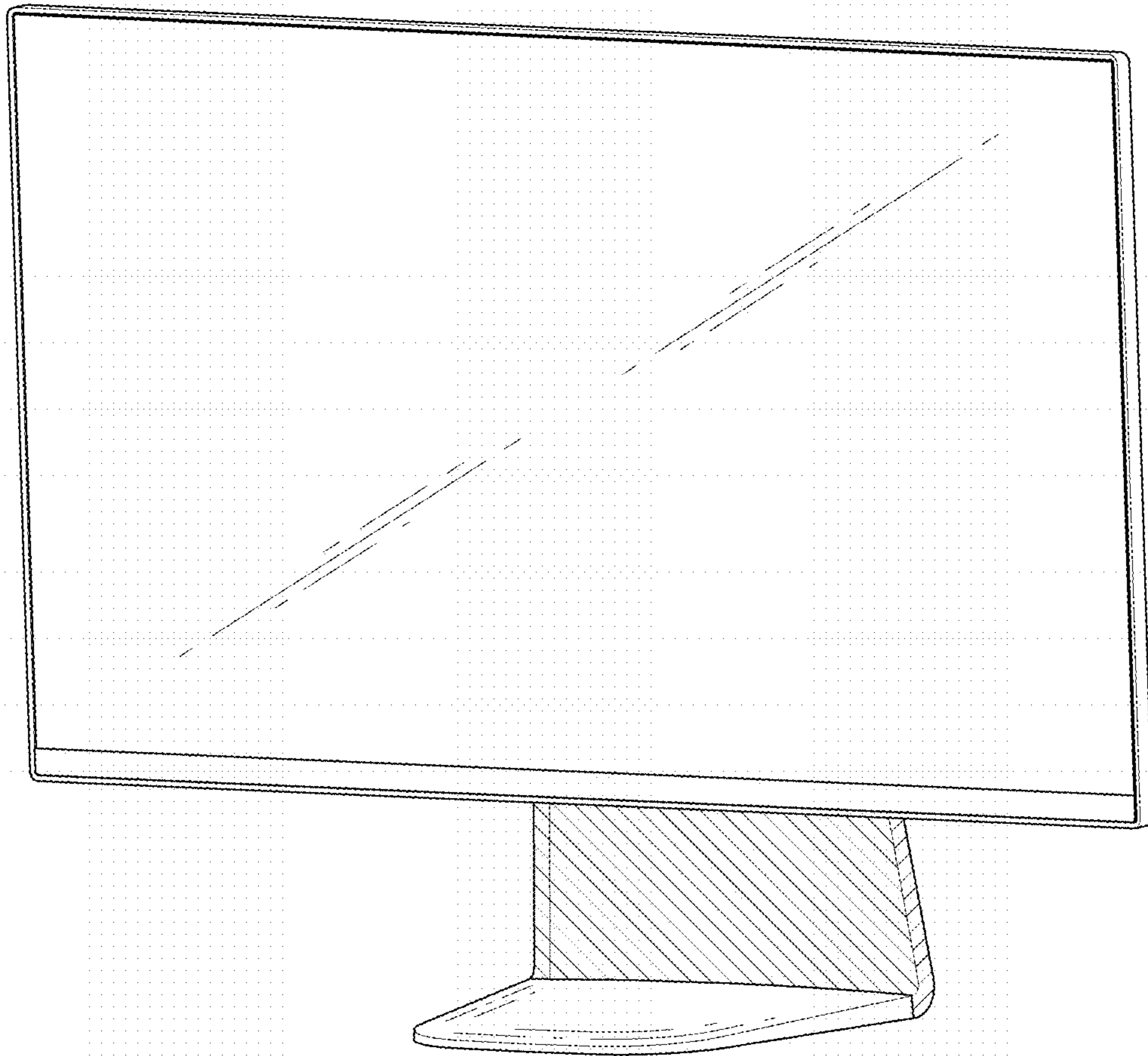


FIG. 2

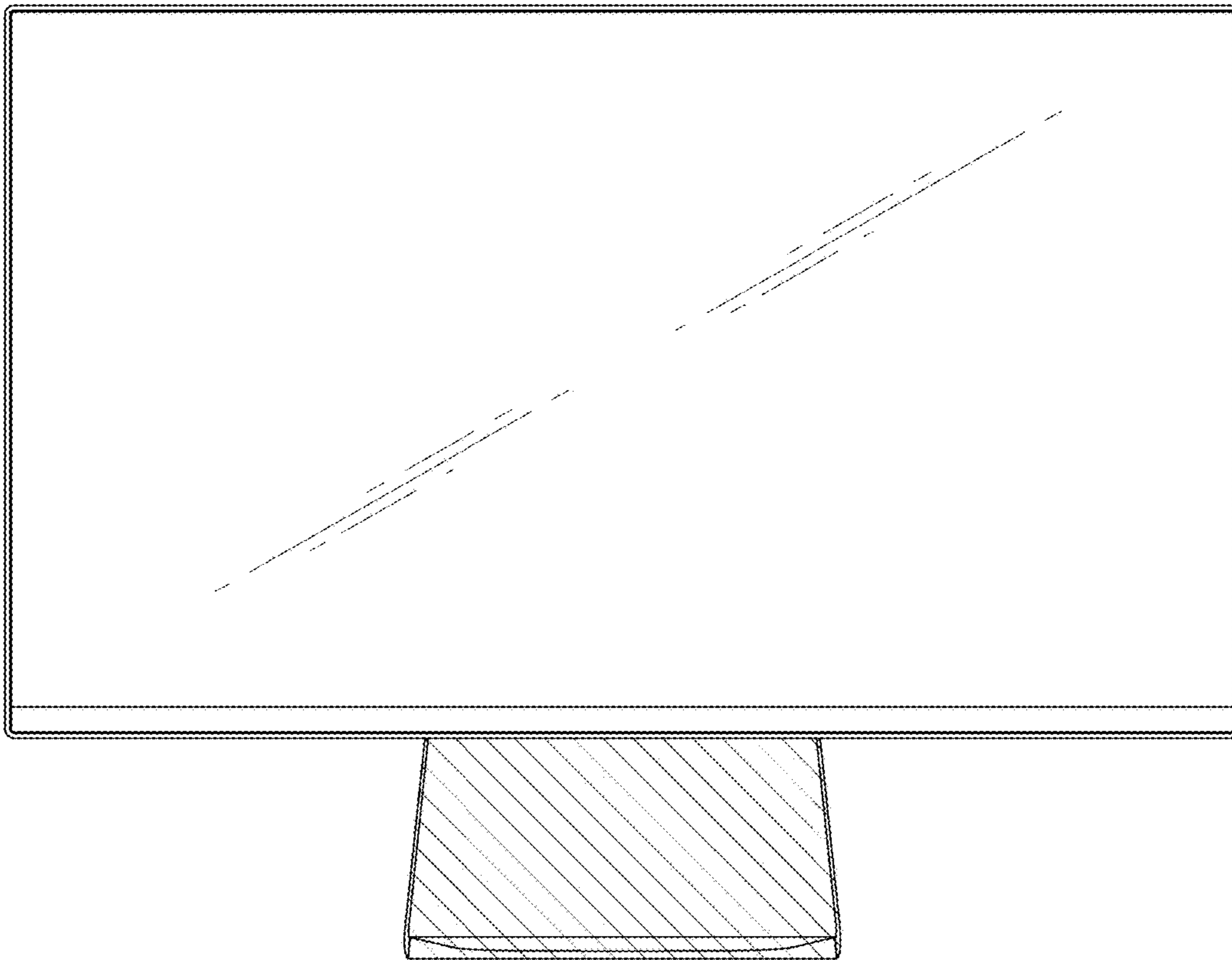


FIG. 3

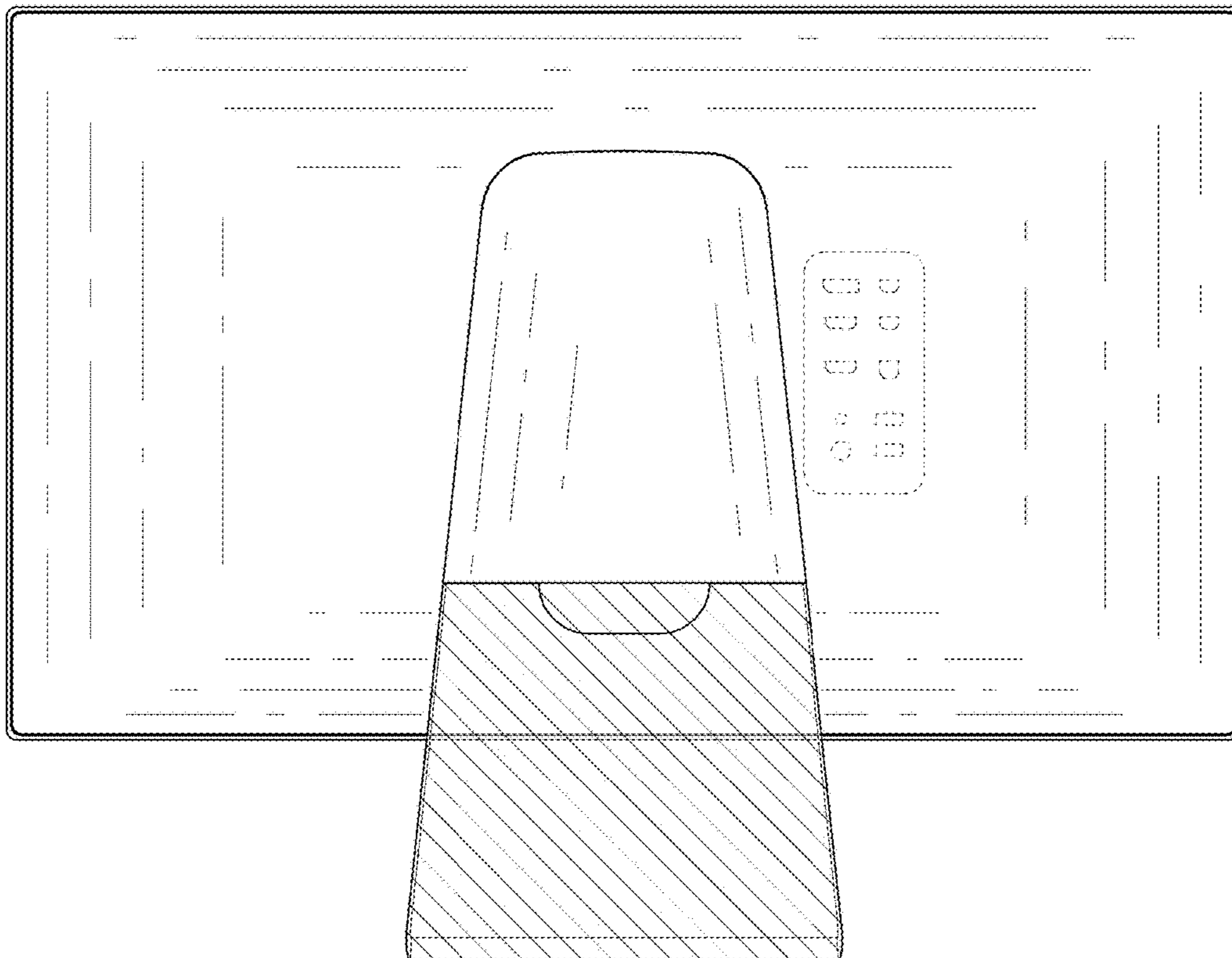


FIG. 4

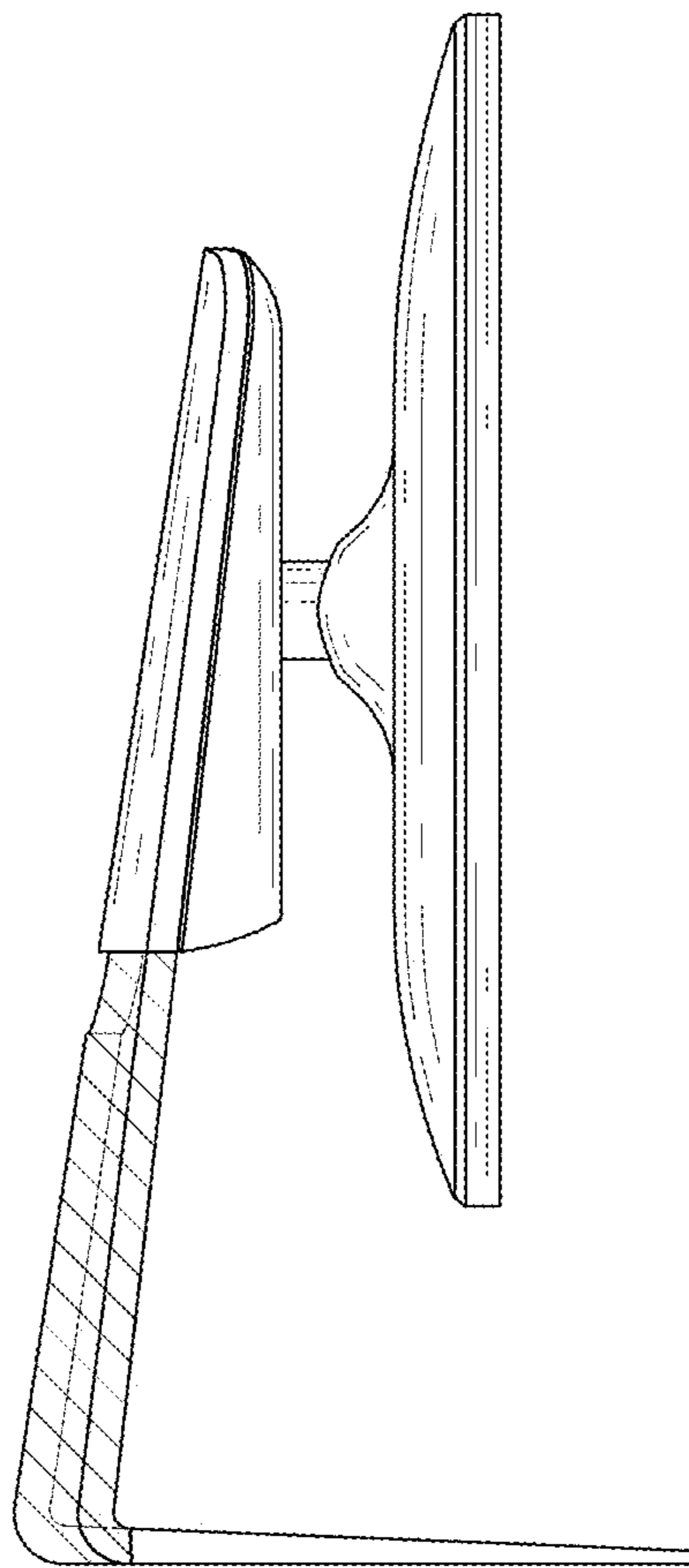


FIG. 5

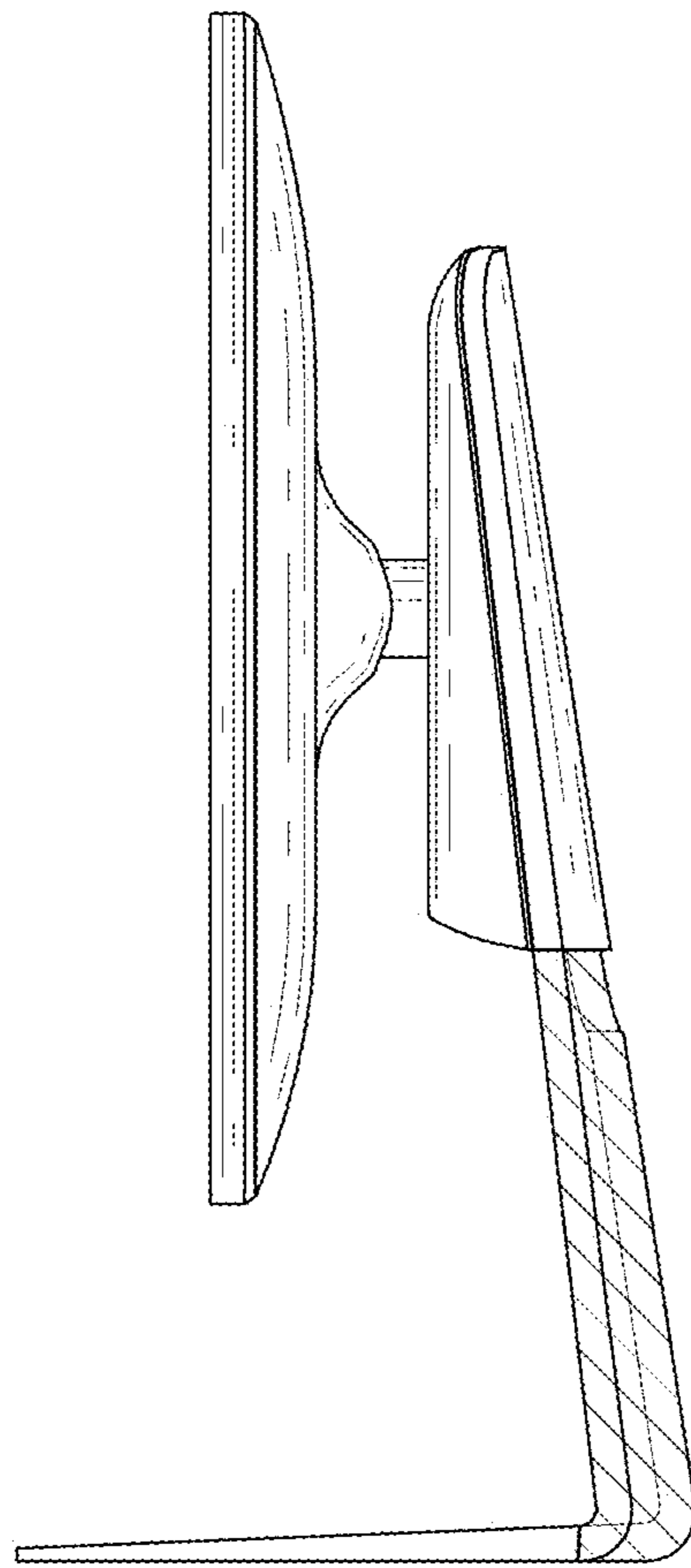


FIG. 6

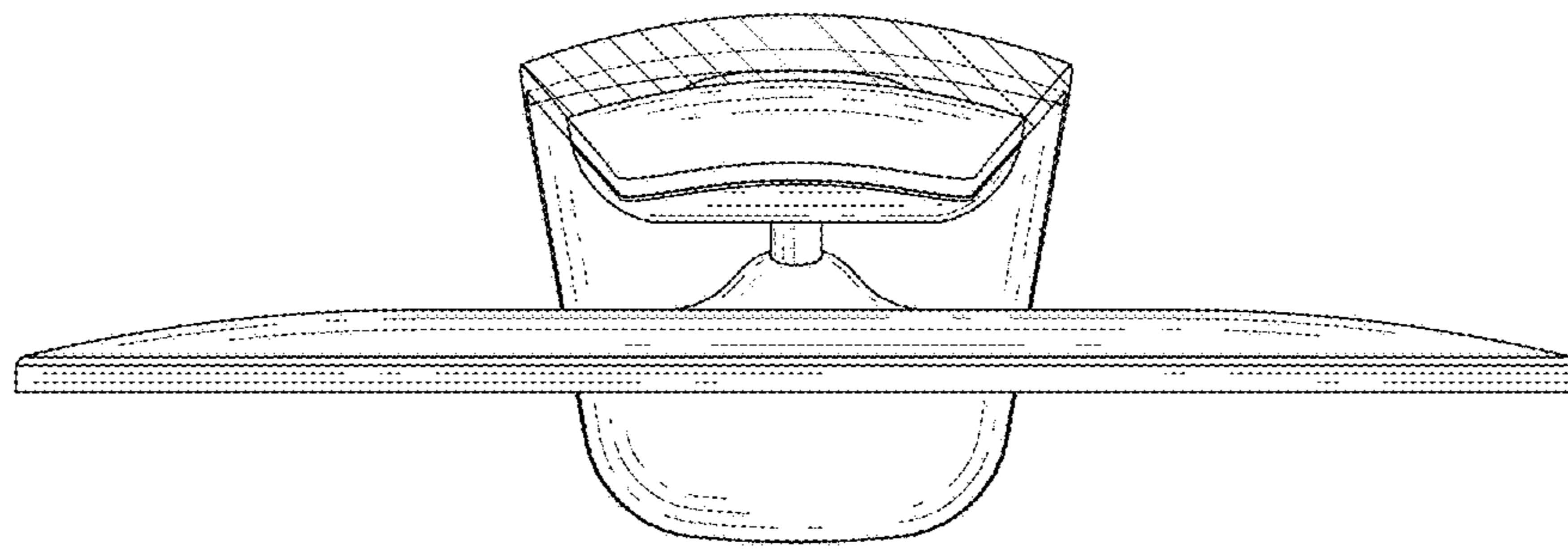


FIG. 7

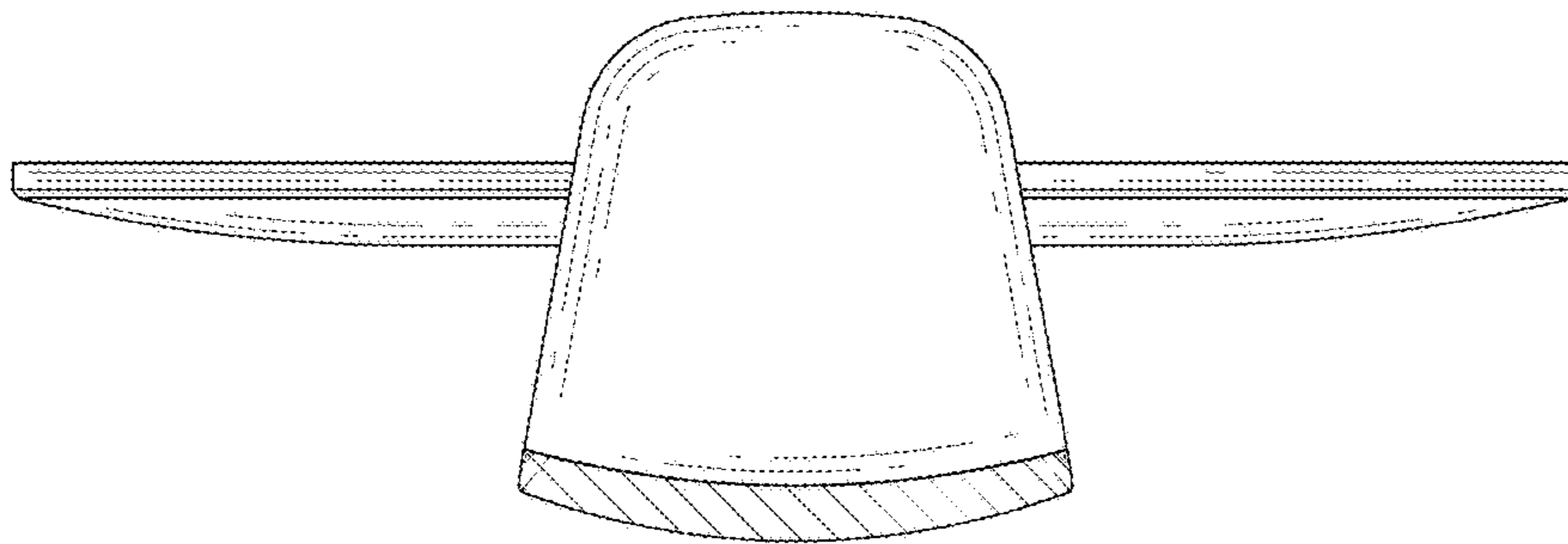


FIG. 8

