



US00D796507S

(12) **United States Design Patent**  
**Chen et al.**

(10) **Patent No.:** **US D796,507 S**  
(45) **Date of Patent:** **\*\* Sep. 5, 2017**

- (54) **VIRTUAL REALITY HEADSET**
- (71) Applicant: **SZ DJI Technology Co., Ltd.**,  
Shenzhen (CN)
- (72) Inventors: **Hao Chen**, Shenzhen (CN); **Dengfeng Hu**, Shenzhen (CN)
- (73) Assignee: **SZ DJI Technology Co., Ltd.**,  
Shenzhen (CN)
- (\*\*) Term: **15 Years**
- (21) Appl. No.: **29/578,953**
- (22) Filed: **Sep. 26, 2016**
- (51) **LOC (10) Cl.** ..... **14-02**
- (52) **U.S. Cl.**  
USPC ..... **D14/372**
- (58) **Field of Classification Search**  
USPC ..... D14/372, 496, 432, 371, 125, 126, 129,  
D14/299; D16/300-342; 351/158, 153,  
351/144; 345/7-9, 905; 455/344;  
348/115, 53, 121, 739  
CPC ..... G02B 27/017; G02B 27/0158; G02B  
27/0161; G02B 27/0181; G02B 27/0185;  
G02B 27/0189  
See application file for complete search history.

D752,680 S *	3/2016	Kim	.....	D14/372
D753,111 S *	4/2016	Fei	.....	D14/372
D753,112 S *	4/2016	Fei	.....	D14/372
D759,654 S *	6/2016	Sullivan	.....	D14/372
D764,466 S *	8/2016	Kim	.....	D14/372
D771,625 S *	11/2016	Sullivan	.....	D14/372
D781,290 S *	3/2017	Kim	.....	D14/372
D785,619 S *	5/2017	Su	.....	D14/372

\* cited by examiner

*Primary Examiner* — Austin Murphy

(74) *Attorney, Agent, or Firm* — Sterne, Kessler,  
Goldstein & Fox P.L.L.C.

(56) **References Cited**  
U.S. PATENT DOCUMENTS

D741,327 S *	10/2015	Reznik	.....	D14/372
D749,580 S *	2/2016	Kim	.....	D14/372

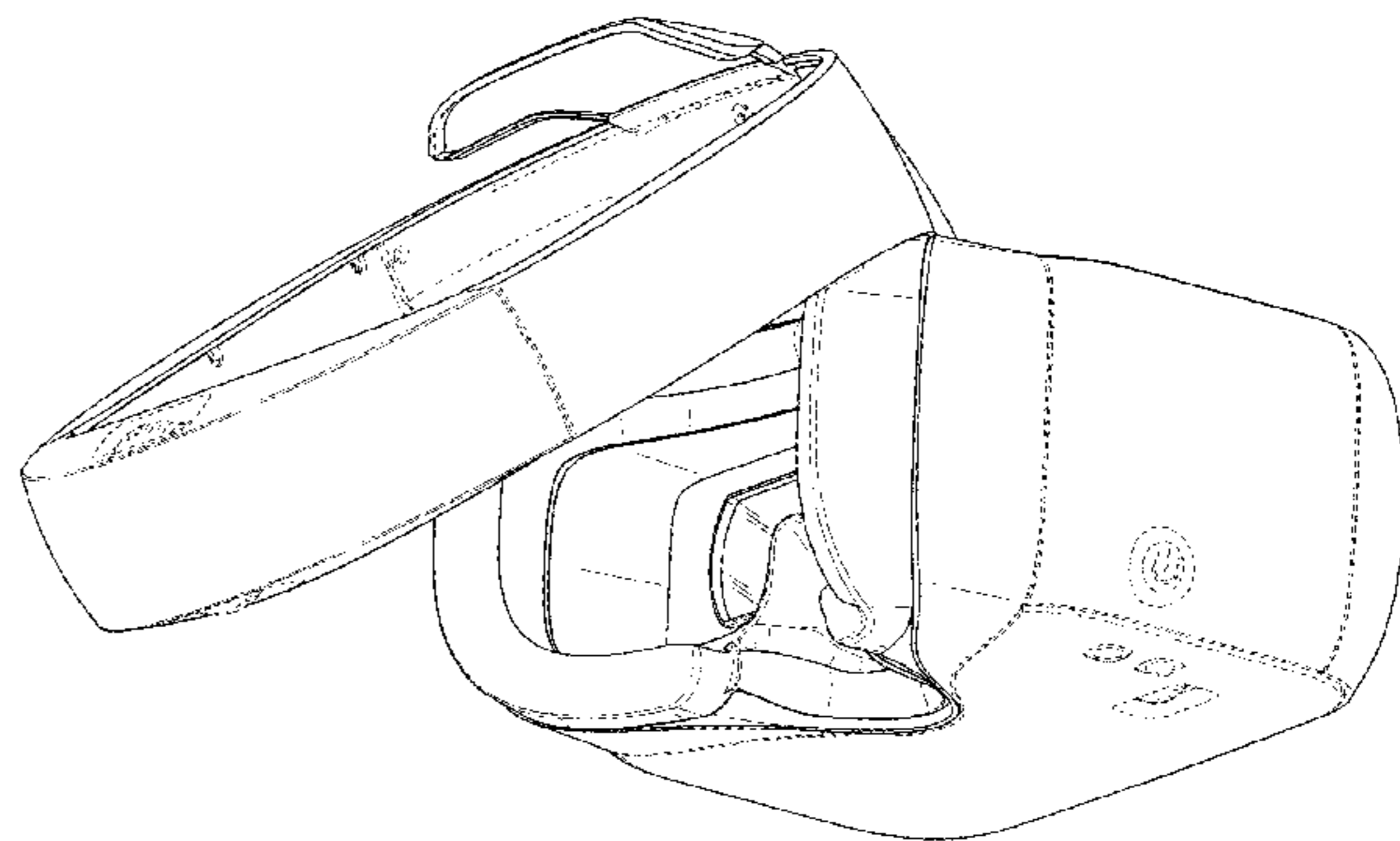
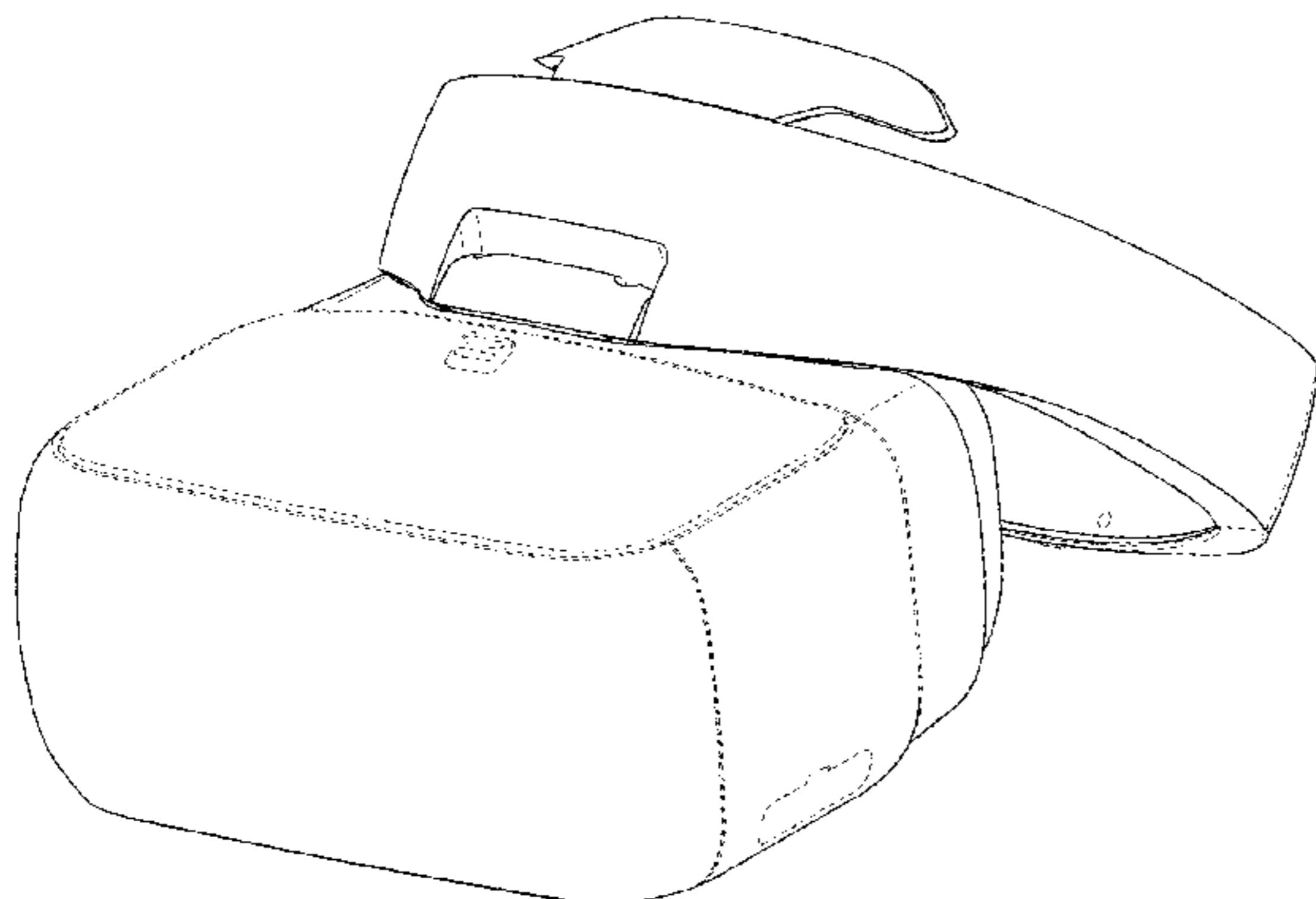
(57) **CLAIM**

The ornamental design for a virtual reality headset, as shown and described.

**DESCRIPTION**

FIG. 1 is a top front perspective view of a virtual reality headset showing the claimed design;  
 FIG. 2 is a bottom rear perspective view thereof;  
 FIG. 3 is a front view thereof;  
 FIG. 4 is a rear view thereof;  
 FIG. 5 is a left side view thereof;  
 FIG. 6 is a right side view thereof;  
 FIG. 7 is a top view thereof; and,  
 FIG. 8 is a bottom view thereof.  
 The broken lines in the figures show portions of the virtual reality headset that form no part of the claimed design.

**1 Claim, 5 Drawing Sheets**



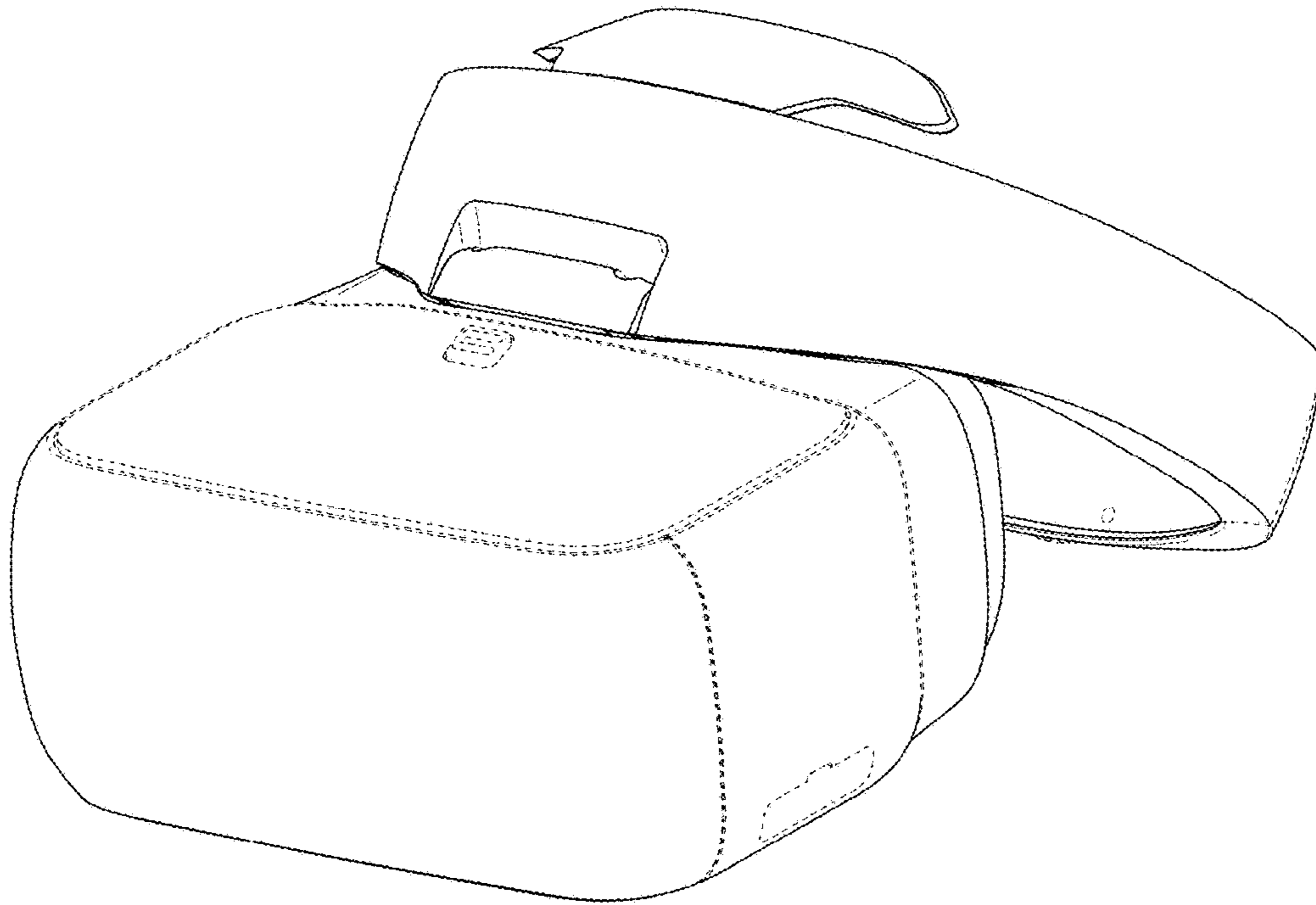


FIG. 1

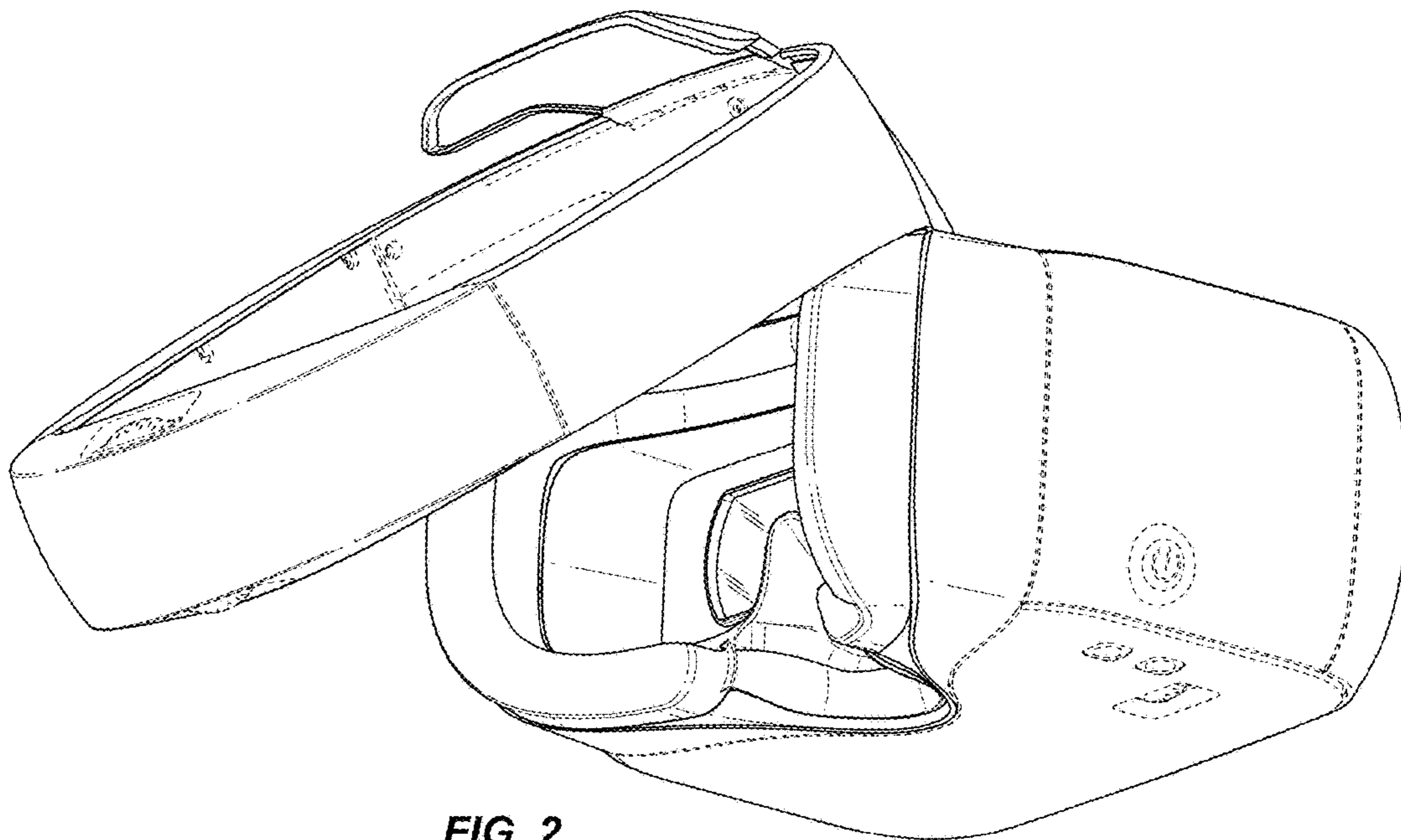
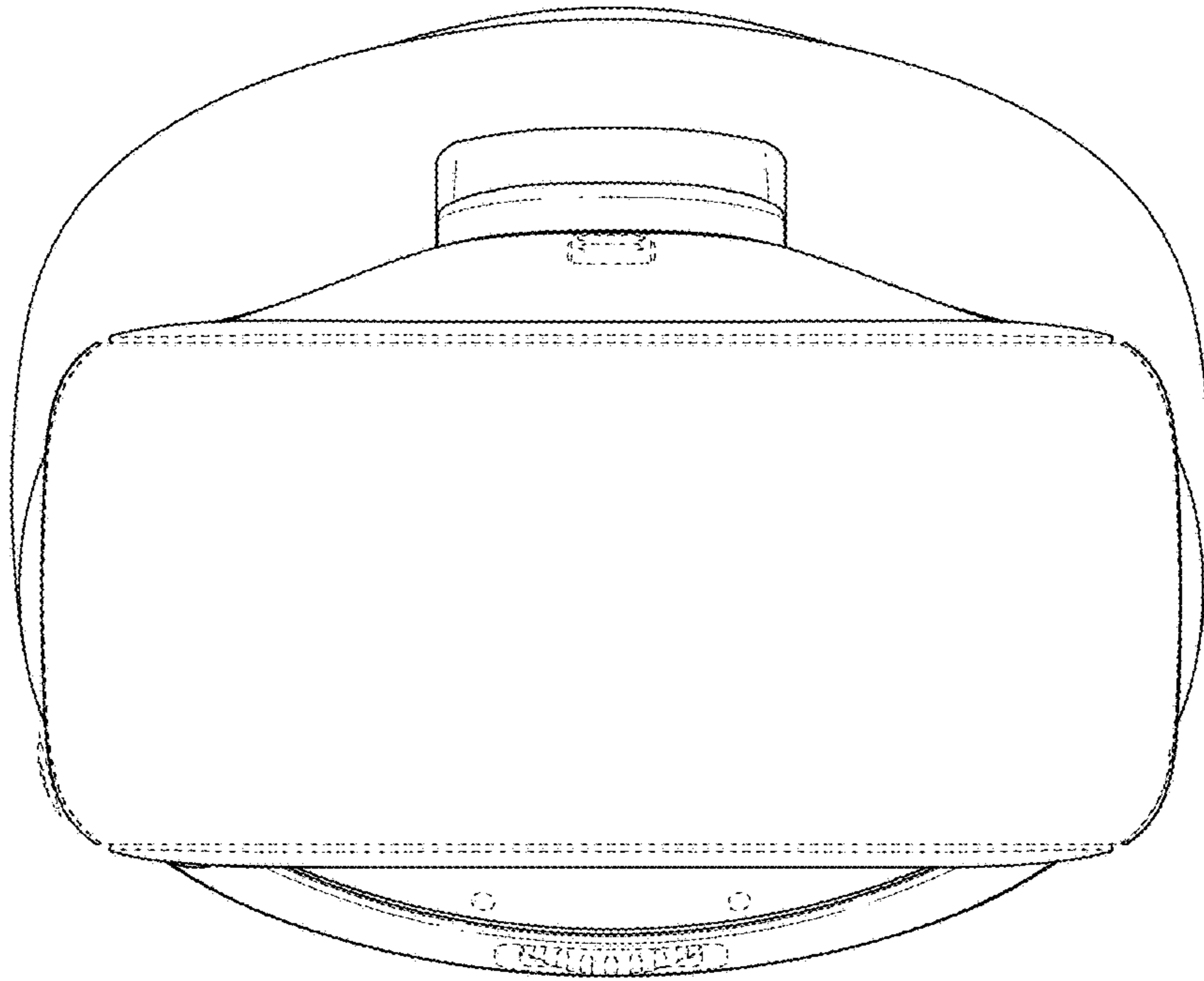
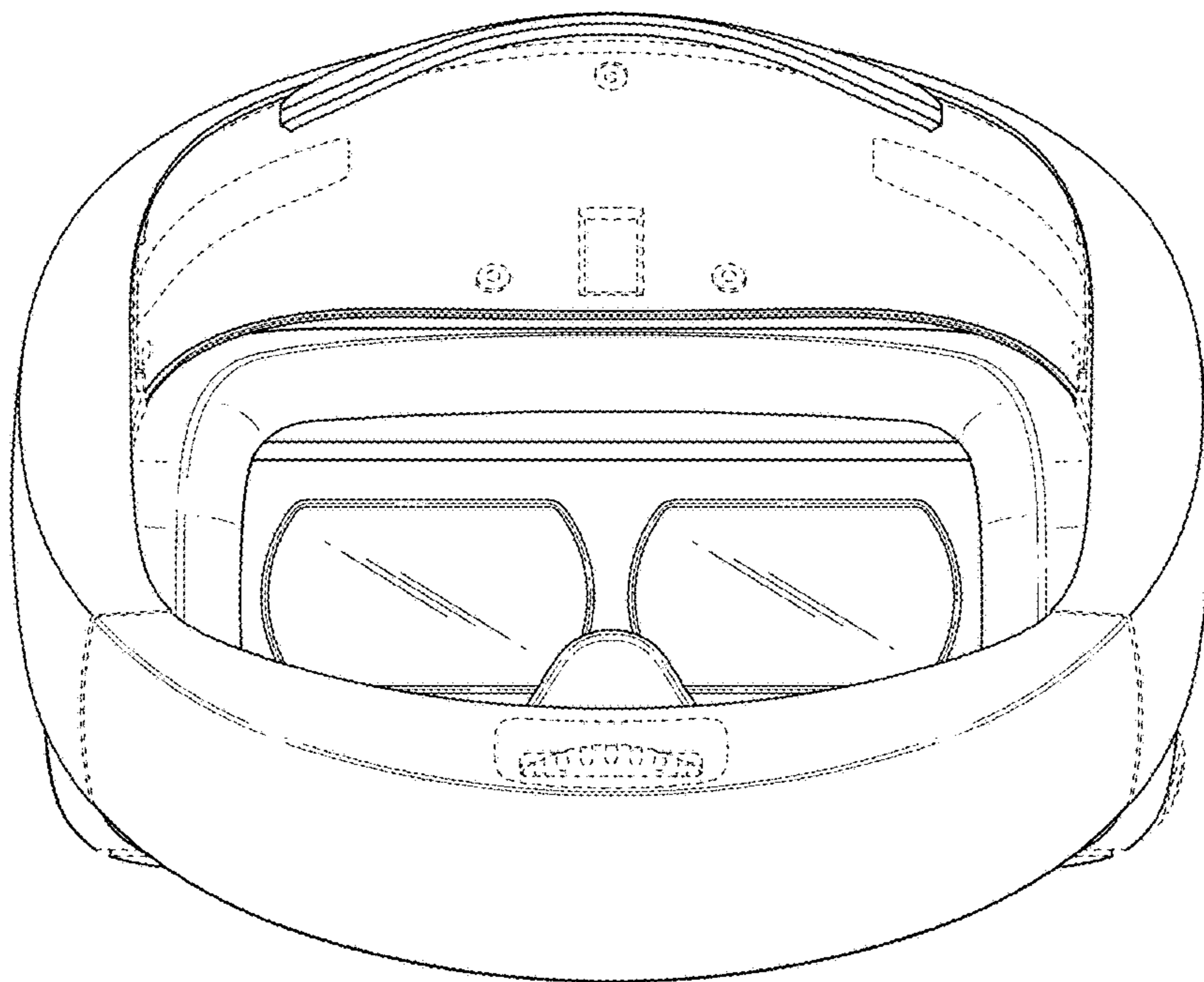


FIG. 2



**FIG. 3**



**FIG. 4**

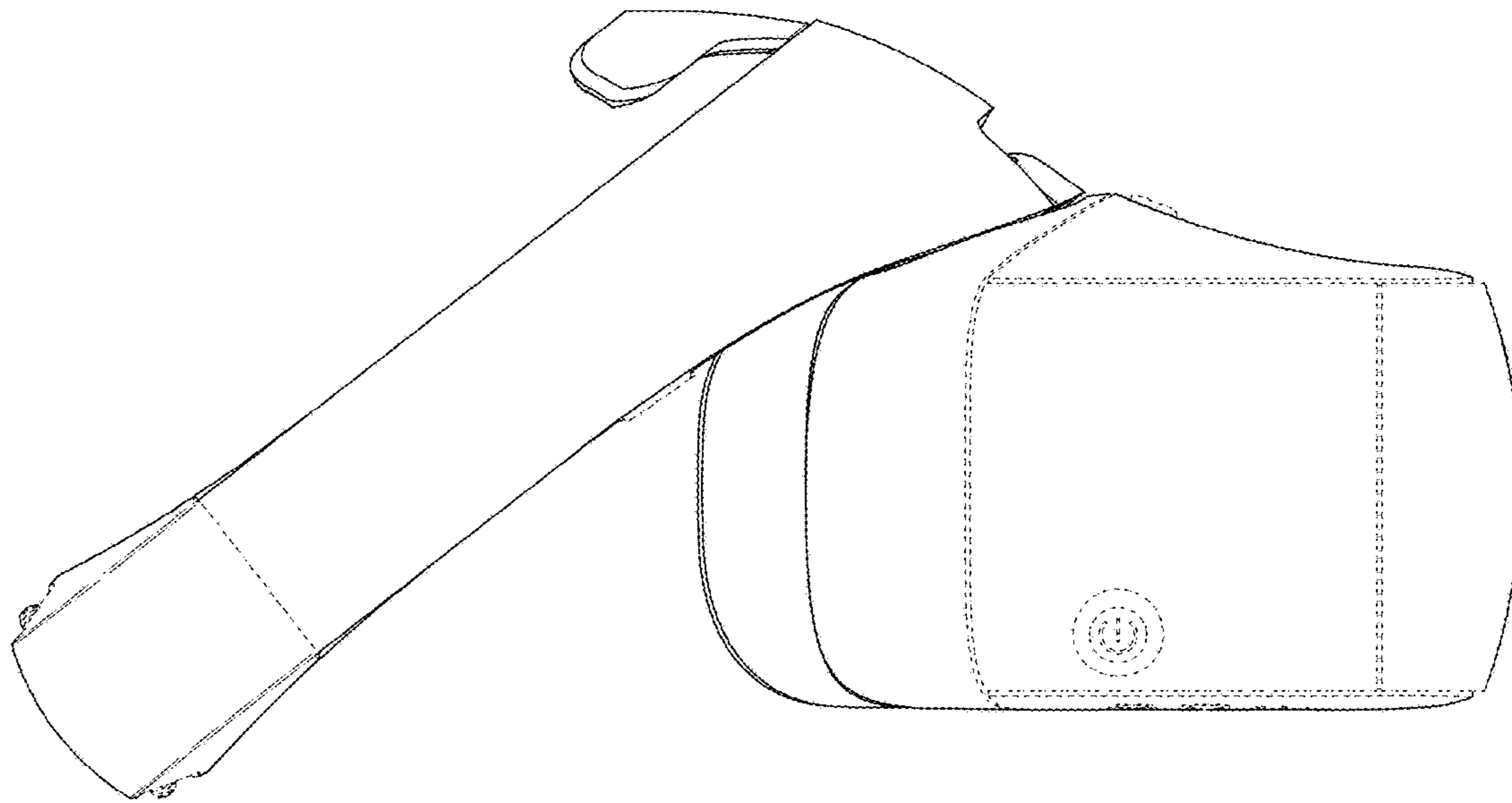


FIG. 5

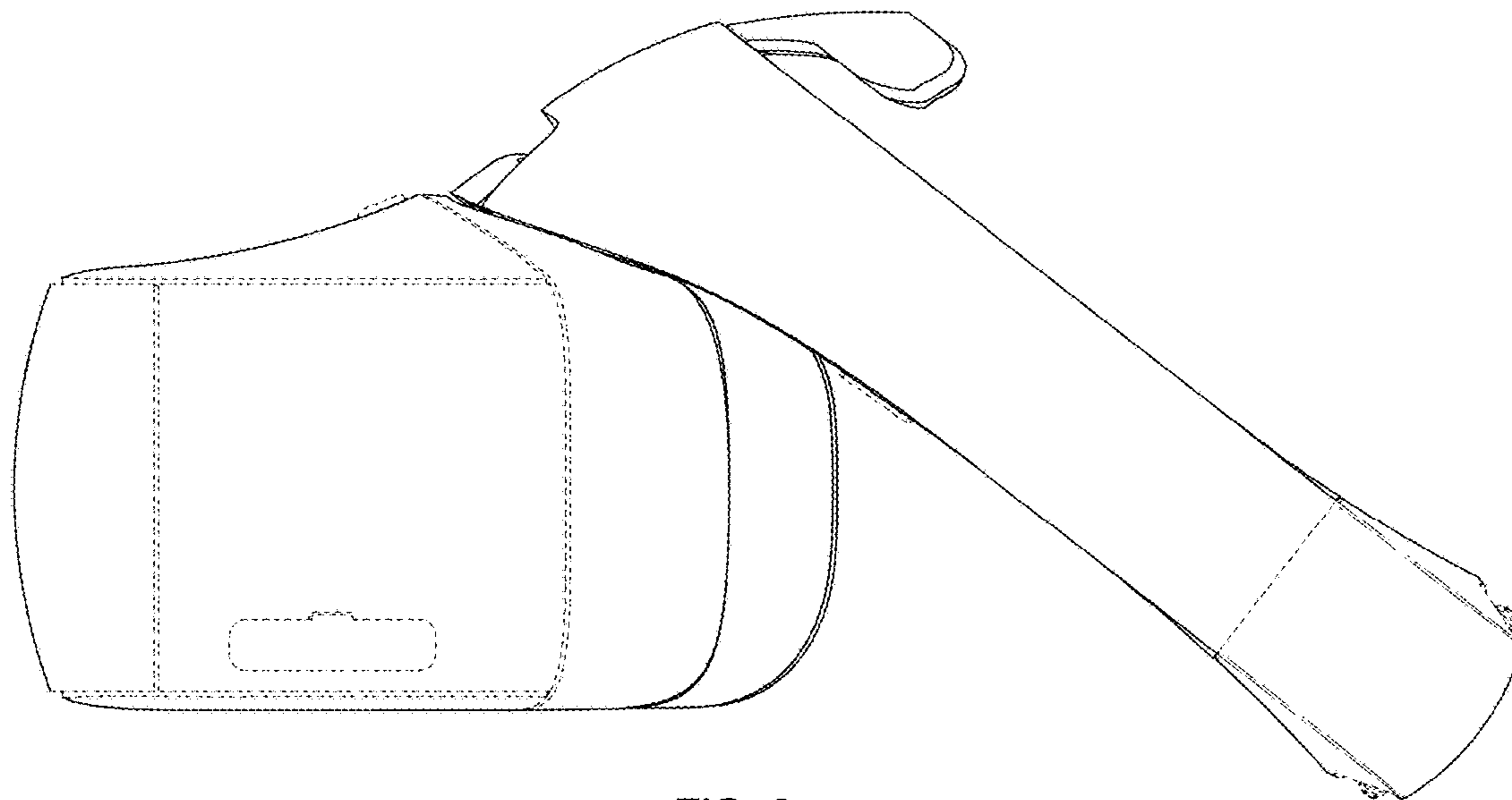


FIG. 6

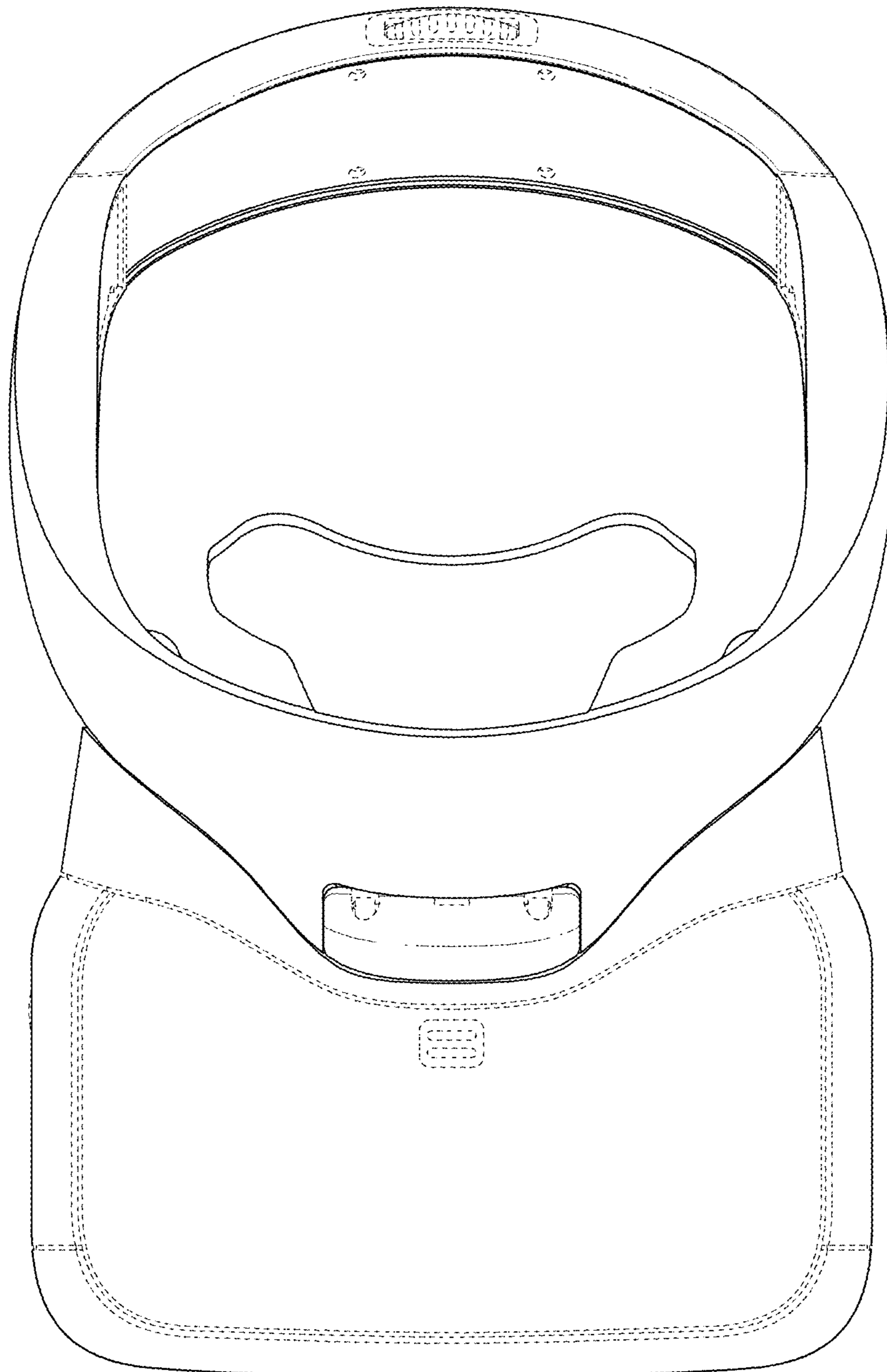


FIG. 7

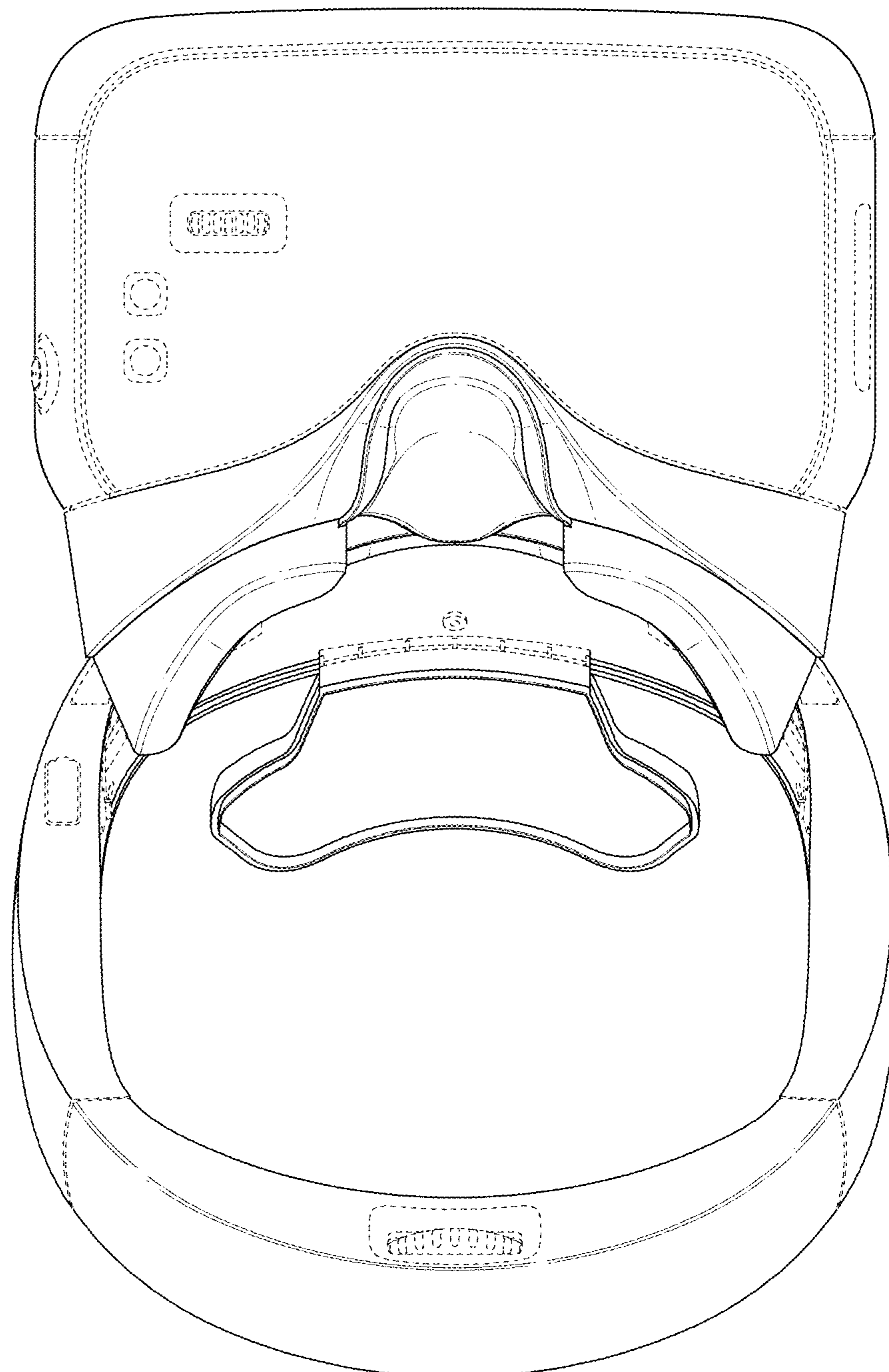


FIG. 8