



US00D796505S

(12) **United States Design Patent**
Natsume et al.

(10) **Patent No.:** **US D796,505 S**
(45) **Date of Patent:** **** Sep. 5, 2017**

(54) **HEAD MOUNTED AUDIO-VISUAL DISPLAY SYSTEM**

(71) Applicant: **MAGIC LEAP, INC.**, Dania Beach, FL (US)

(72) Inventors: **Shigeru Natsume**, Weston, FL (US); **Sebastian Gonzalo Arrieta Günther**, Miami, FL (US); **Masamune Kaji**, Plantation, FL (US)

(73) Assignee: **MAGIC LEAP, INC.**, Plantation, FL (US)

(**) Term: **15 Years**

(21) Appl. No.: **29/578,737**

(22) Filed: **Sep. 23, 2016**

(51) **LOC (10) Cl.** **14-02**

(52) **U.S. Cl.**
USPC **D14/372**

(58) **Field of Classification Search**
USPC D14/372, 496, 432, 371, 125, 126, 129, D14/299; D16/300-342; 351/158, 153, 351/144; 345/7-9, 905; 455/344; 348/115, 53, 121, 739
CPC G02B 27/017; G02B 27/0158; G02B 27/0161; G02B 27/0181; G02B 27/0185; G02B 27/0189

See application file for complete search history.

(56) **References Cited**

U.S. PATENT DOCUMENTS

D427,982 S * 7/2000 Ishii D14/372
D719,570 S * 12/2014 Heinrich D14/372
D727,896 S * 4/2015 Laluque D14/372

D738,373 S * 9/2015 Davies D14/372
D738,374 S * 9/2015 Luckey D14/372
D741,327 S * 10/2015 Reznik D14/372
D749,583 S * 2/2016 Luckey D14/372
D751,552 S * 3/2016 Osterhout D14/372
D758,367 S * 6/2016 Natsume D14/372
D766,895 S * 9/2016 Choi D14/372
D771,625 S * 11/2016 Sullivan D14/372
D771,627 S * 11/2016 Ko D14/372
D778,909 S * 2/2017 Nokuo D14/372
D780,751 S * 3/2017 Park D14/372
D781,288 S * 3/2017 Park D14/372
D781,289 S * 3/2017 Patel D14/372
D782,477 S * 3/2017 Cazalet D14/372
D783,019 S * 4/2017 Letbetter D14/372
2005/0237271 A1 * 10/2005 Yamamoto G02B 27/017
345/8

* cited by examiner

Primary Examiner — Austin Murphy

(74) *Attorney, Agent, or Firm* — Vista IP Law Group, LLP

(57) **CLAIM**

We claim the ornamental design for a head mounted audio-visual display system, as shown and described.

DESCRIPTION

FIG. 1 is a front perspective view of a head mounted audio-visual display system showing our design; FIG. 2 is a back perspective view thereof; FIG. 3 is a front view thereof; FIG. 4 is a rear view thereof; FIG. 5 is a left side view thereof; FIG. 6 is a right side view thereof; FIG. 7 is a top view thereof; and, FIG. 8 is a bottom view thereof.

1 Claim, 8 Drawing Sheets

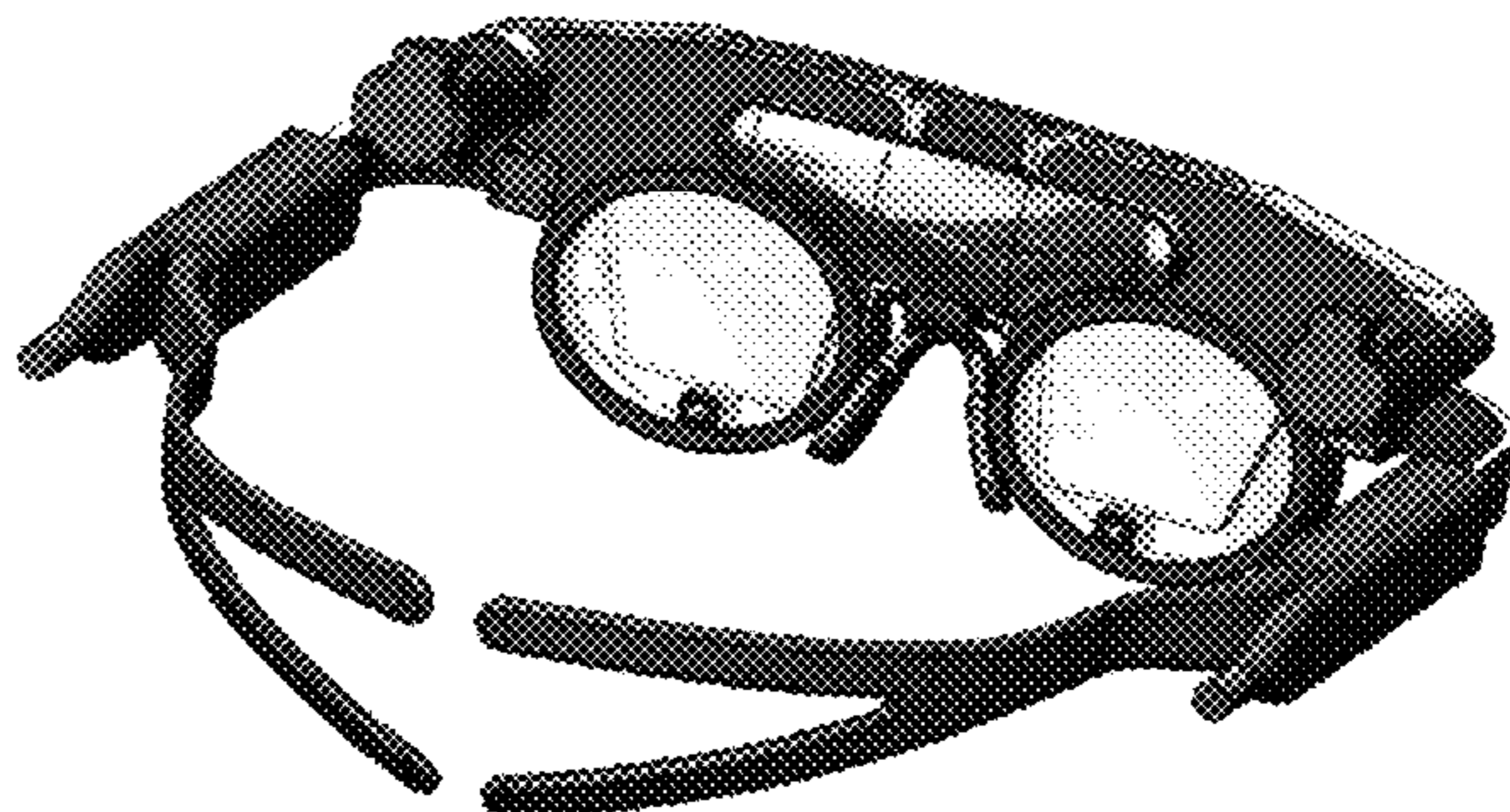
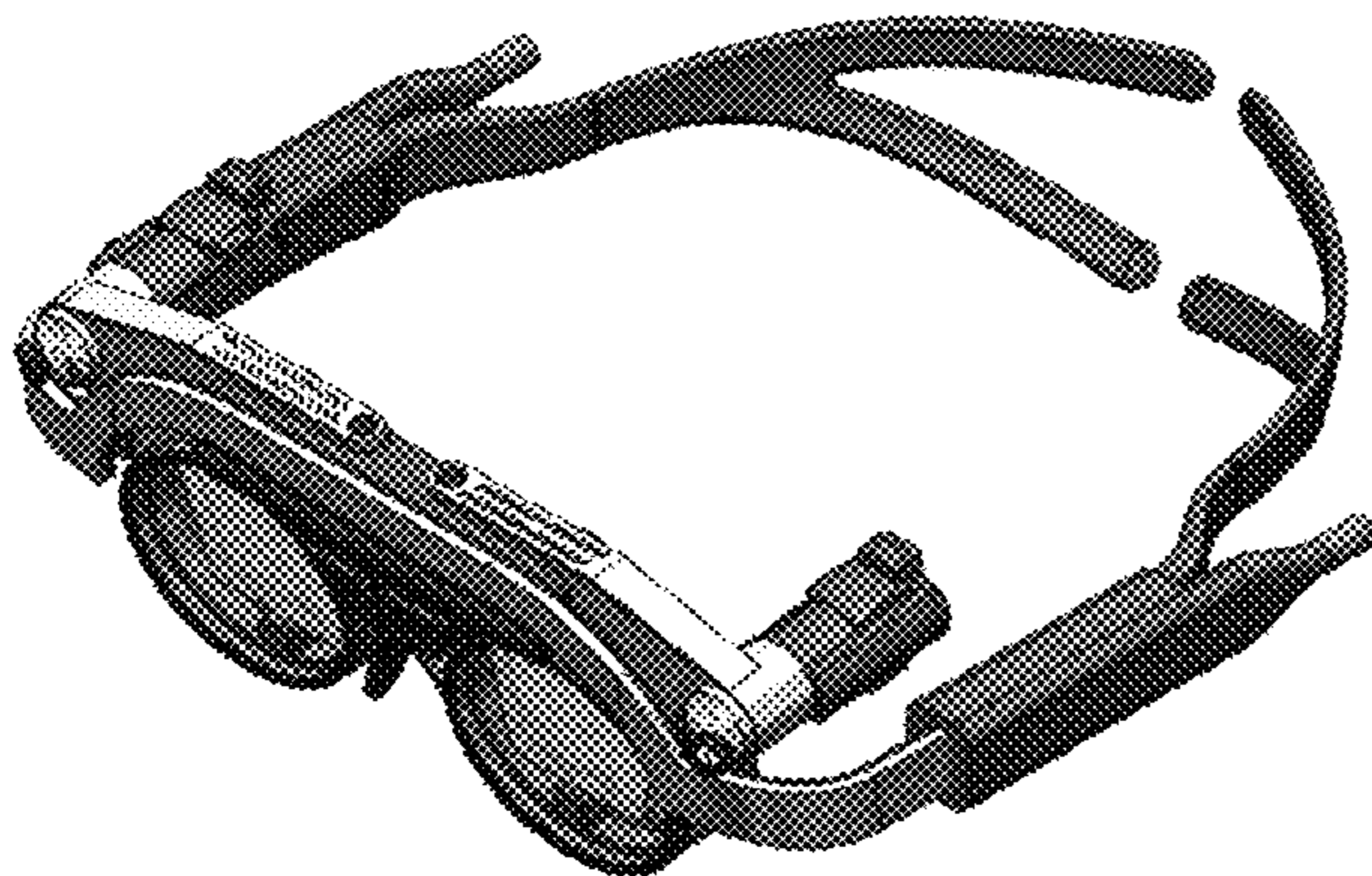




FIG. 1

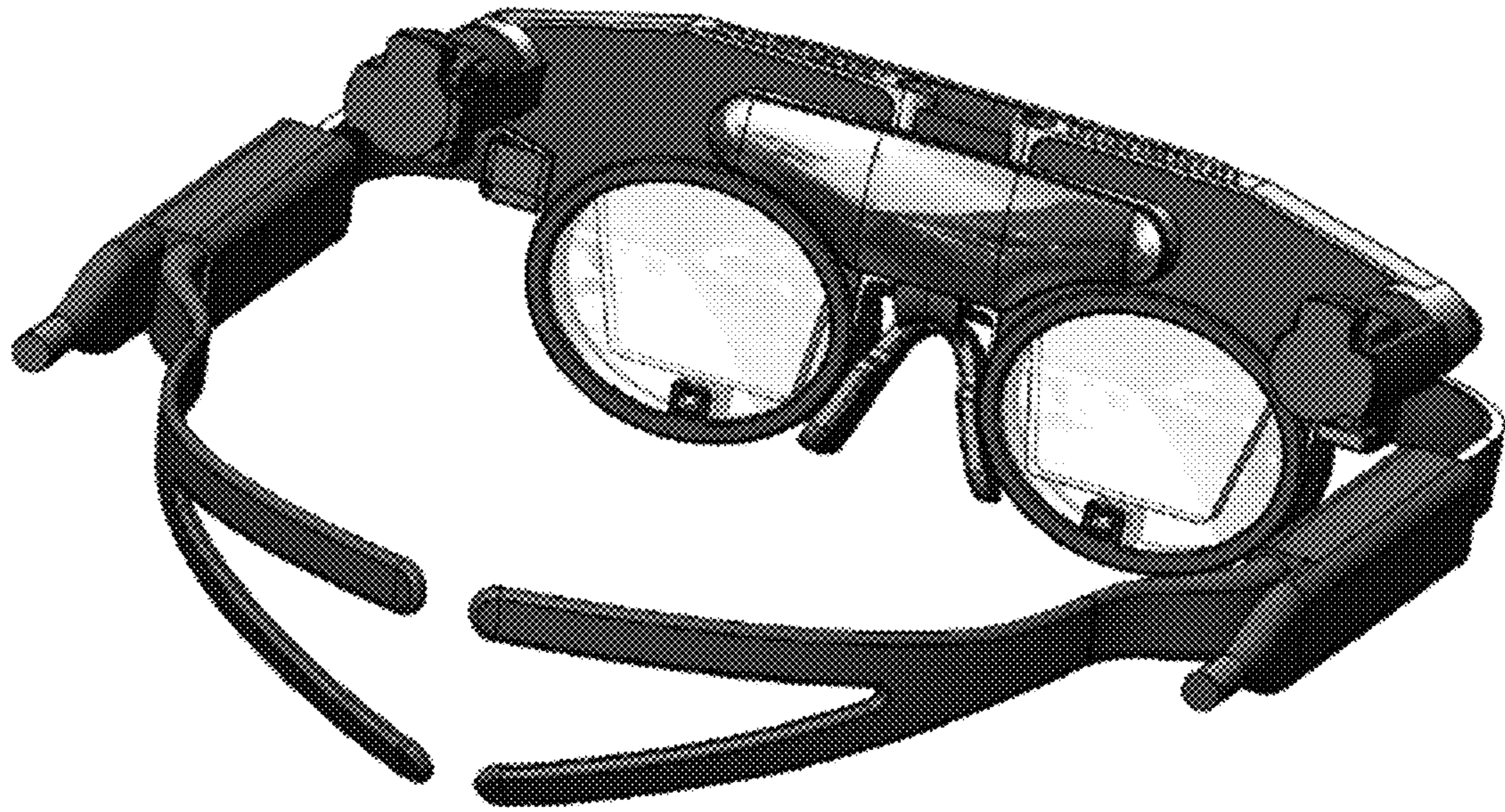


FIG. 2

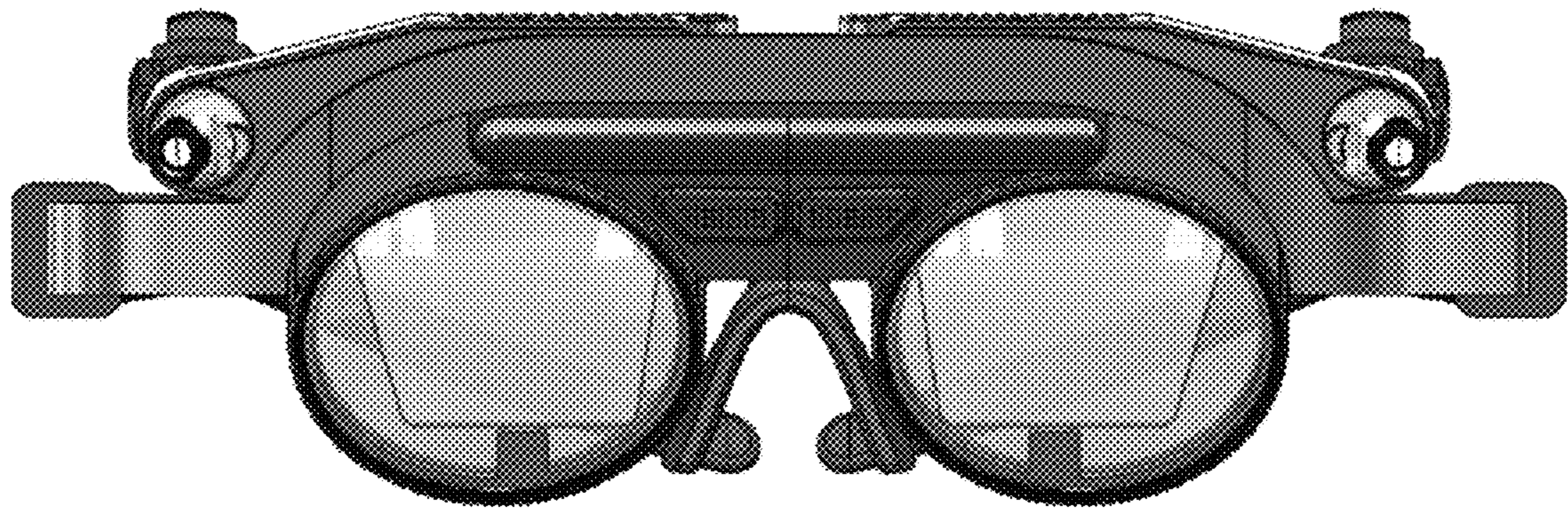


FIG. 3

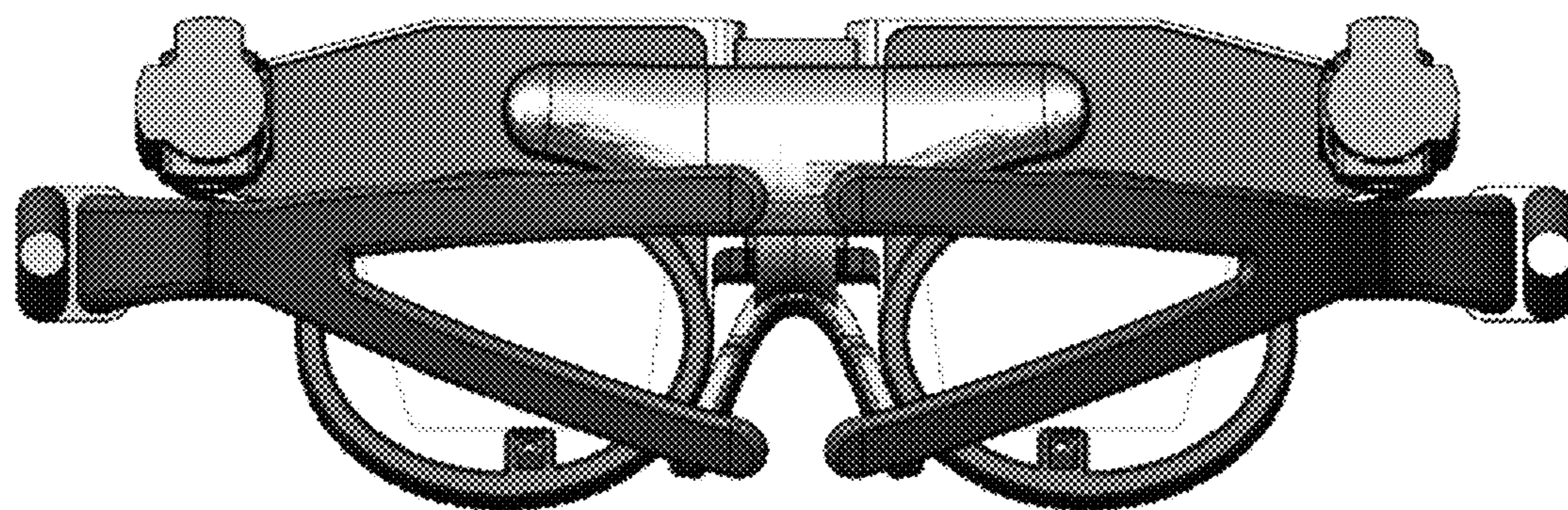


FIG. 4

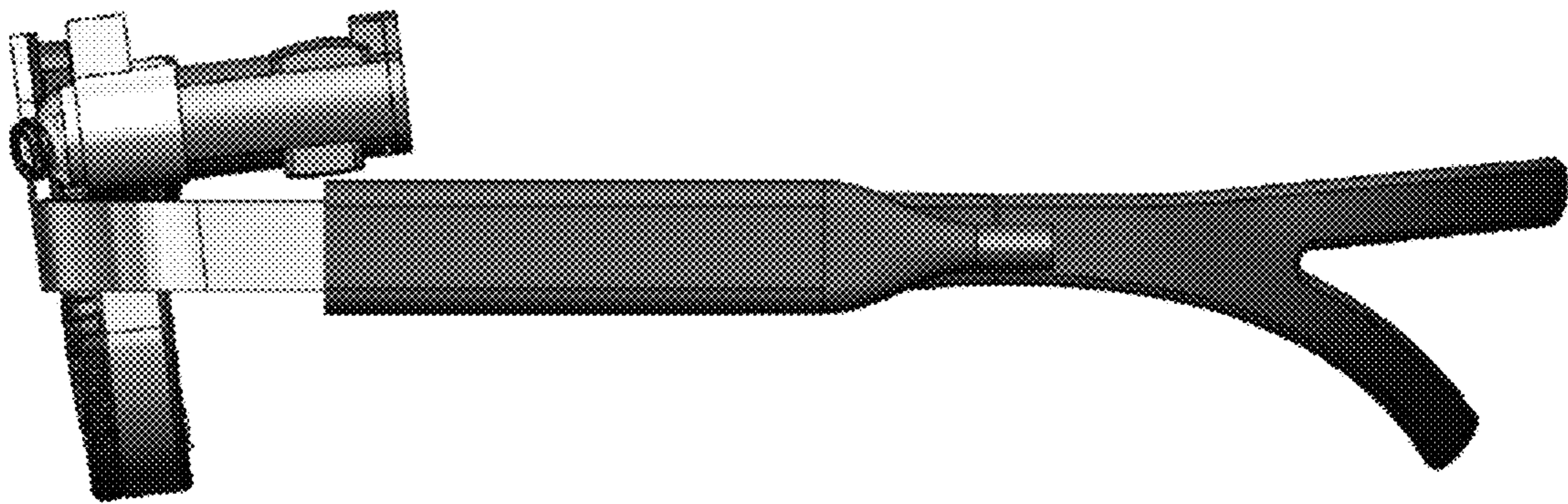


FIG. 5

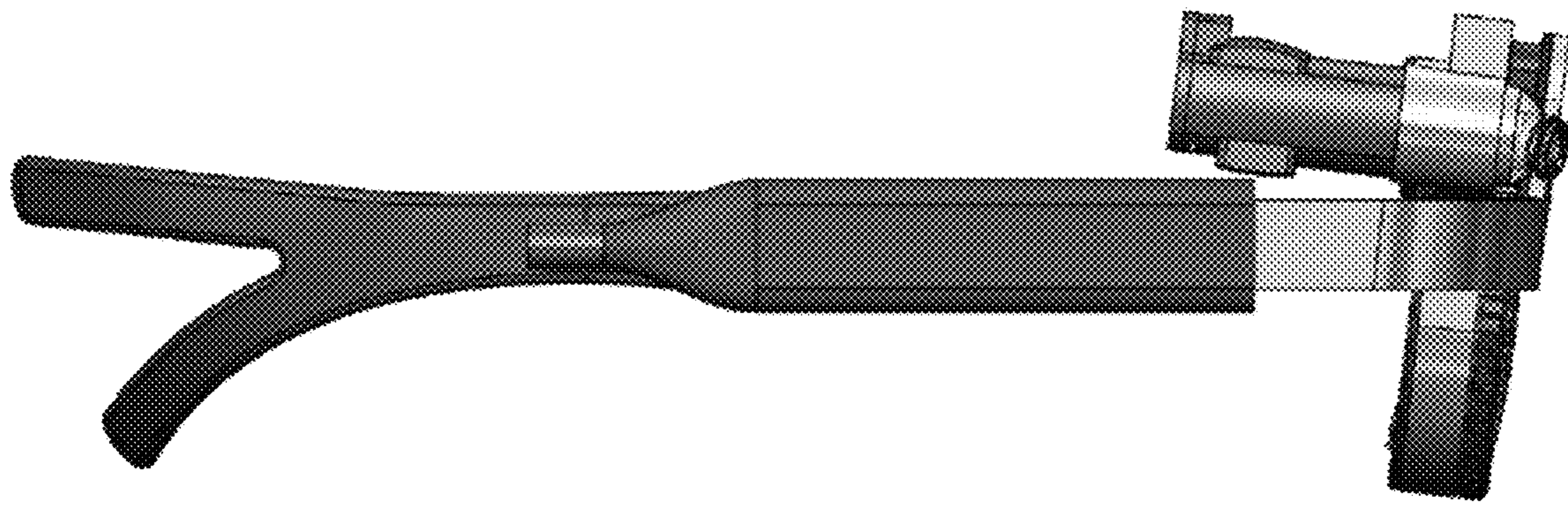


FIG. 6



FIG. 7

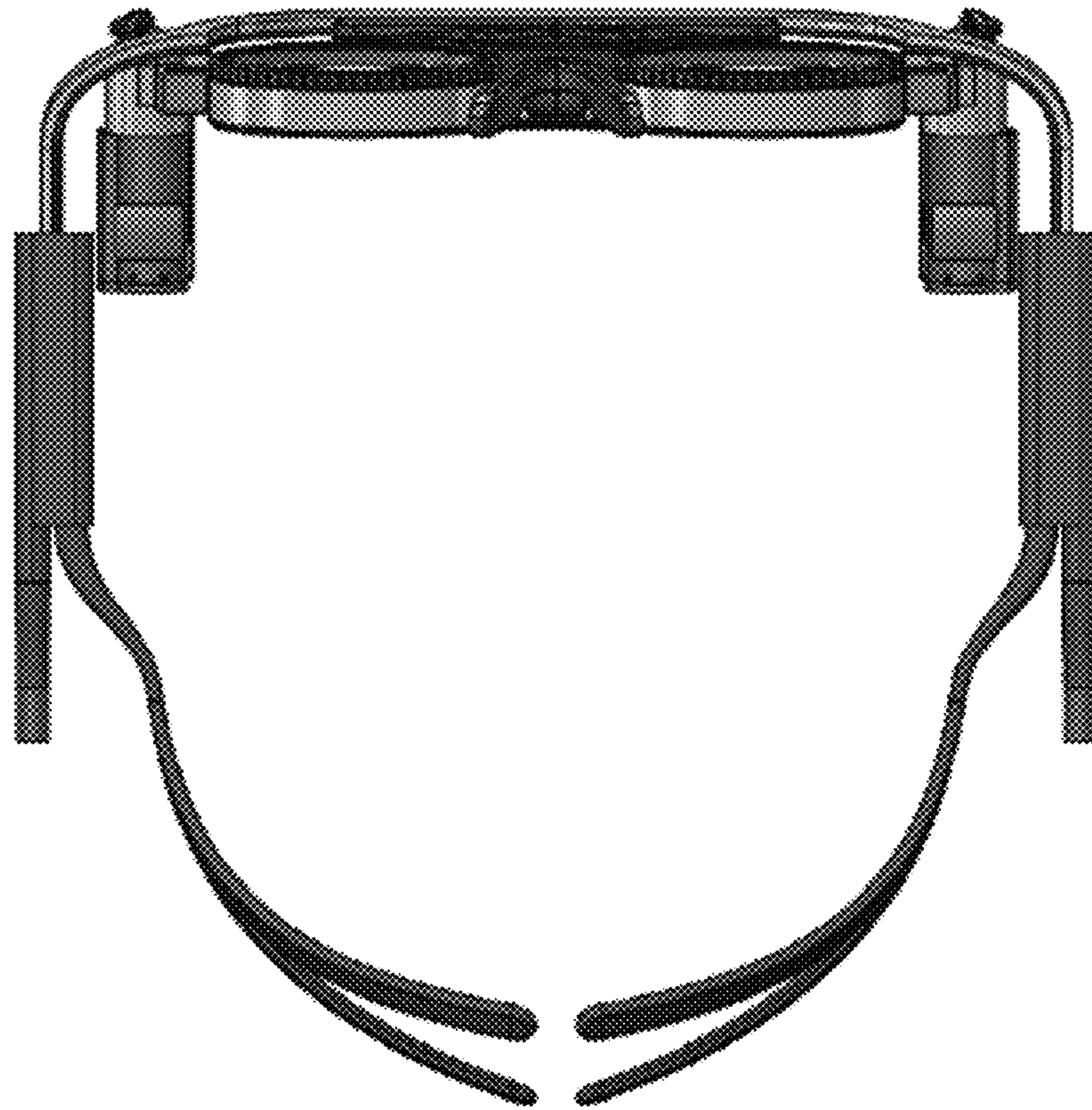


FIG. 8