



US00D796503S

(12) **United States Design Patent** (10) **Patent No.:** **US D796,503 S**
Natsume et al. (45) **Date of Patent:** **** Sep. 5, 2017**

(54) **HEAD MOUNTED AUDIO-VISUAL DISPLAY SYSTEM**

(71) Applicant: **MAGIC LEAP, INC.**, Dania Beach, FL (US)

(72) Inventors: **Shigeru Natsume**, Weston, FL (US); **Sebastian Gonzalo Arrieta Günther**, Miami, FL (US); **Masamune Kaji**, Plantation, FL (US)

(73) Assignee: **MAGIC LEAP, INC.**, Plantation, FL (US)

(**) Term: **15 Years**

(21) Appl. No.: **29/578,717**

(22) Filed: **Sep. 23, 2016**

(51) **LOC (10) Cl.** **14-02**

(52) **U.S. Cl.**
USPC **D14/372**

(58) **Field of Classification Search**
USPC D14/372, 496, 432, 371, 125, 126, 129, D14/299; D16/300-342; 351/158, 153, 351/144; 345/7-9, 905; 455/344; 348/115, 53, 121, 739
CPC G02B 27/017; G02B 27/0158; G02B 27/0161; G02B 27/0181; G02B 27/0185; G02B 27/0189

See application file for complete search history.

(56) **References Cited**

U.S. PATENT DOCUMENTS

D427,982 S *	7/2000	Ishii	D14/372
D719,570 S *	12/2014	Heinrich	D14/372
D727,896 S *	4/2015	Laluque	D14/372
D738,373 S *	9/2015	Davies	D14/372
D738,374 S *	9/2015	Luckey	D14/372

D741,327 S *	10/2015	Reznik	D14/372
D749,583 S *	2/2016	Luckey	D14/372
D751,552 S *	3/2016	Osterhout	D14/372
D758,367 S *	6/2016	Natsume	D14/372
D766,895 S *	9/2016	Choi	D14/372
D771,625 S *	11/2016	Sullivan	D14/372
D771,627 S *	11/2016	Ko	D14/372
D778,909 S *	2/2017	Nokuo	D14/372
D780,751 S *	3/2017	Park	D14/372
D781,288 S *	3/2017	Park	D14/372
D781,289 S *	3/2017	Patel	D14/372
D782,477 S *	3/2017	Cazalet	D14/372
D783,019 S *	4/2017	Letbetter	D14/372
2005/0237271 A1 *	10/2005	Yamamoto	G02B 27/017 345/8

* cited by examiner

Primary Examiner — Austin Murphy

(74) *Attorney, Agent, or Firm* — Vista IP Law Group, LLP

(57) **CLAIM**

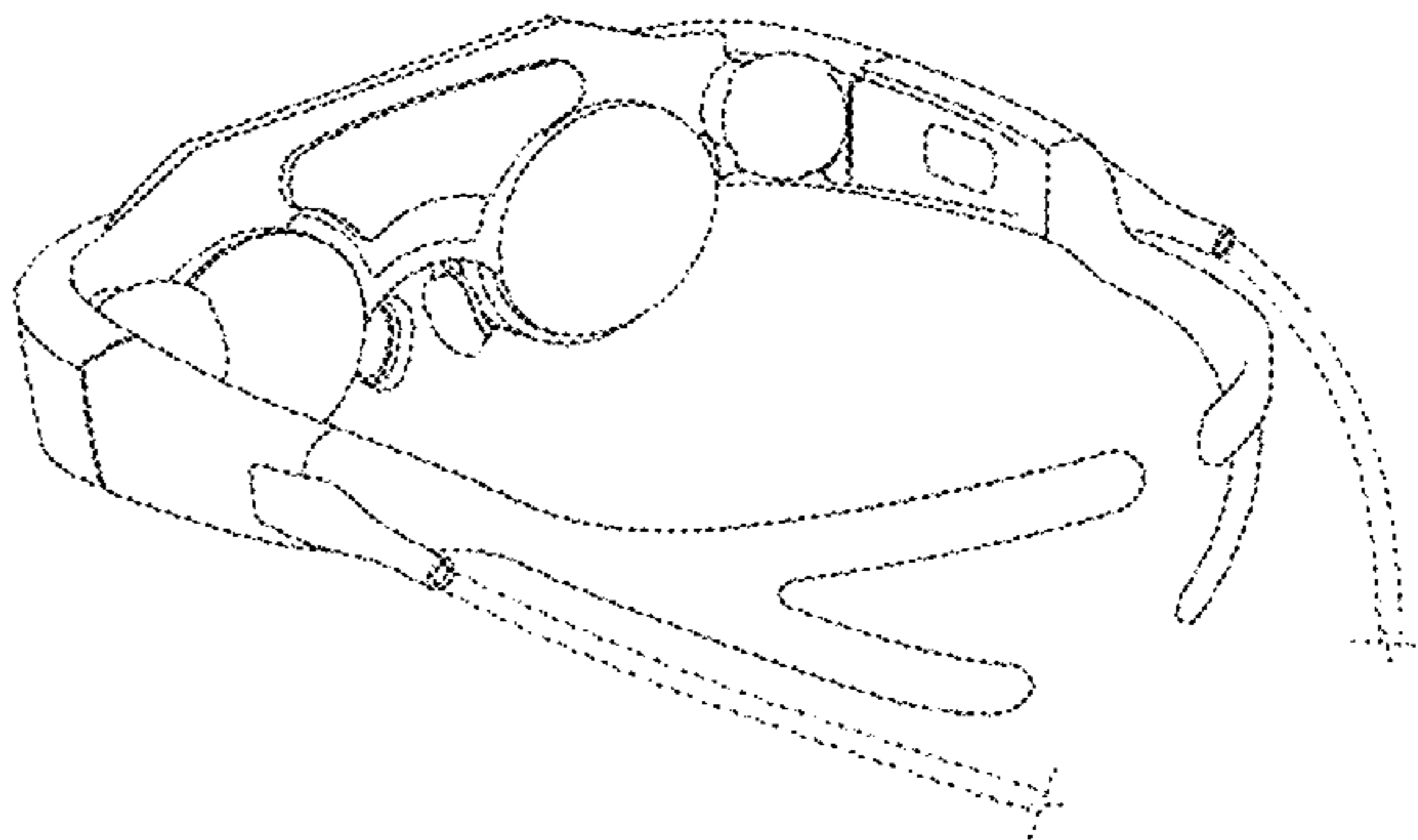
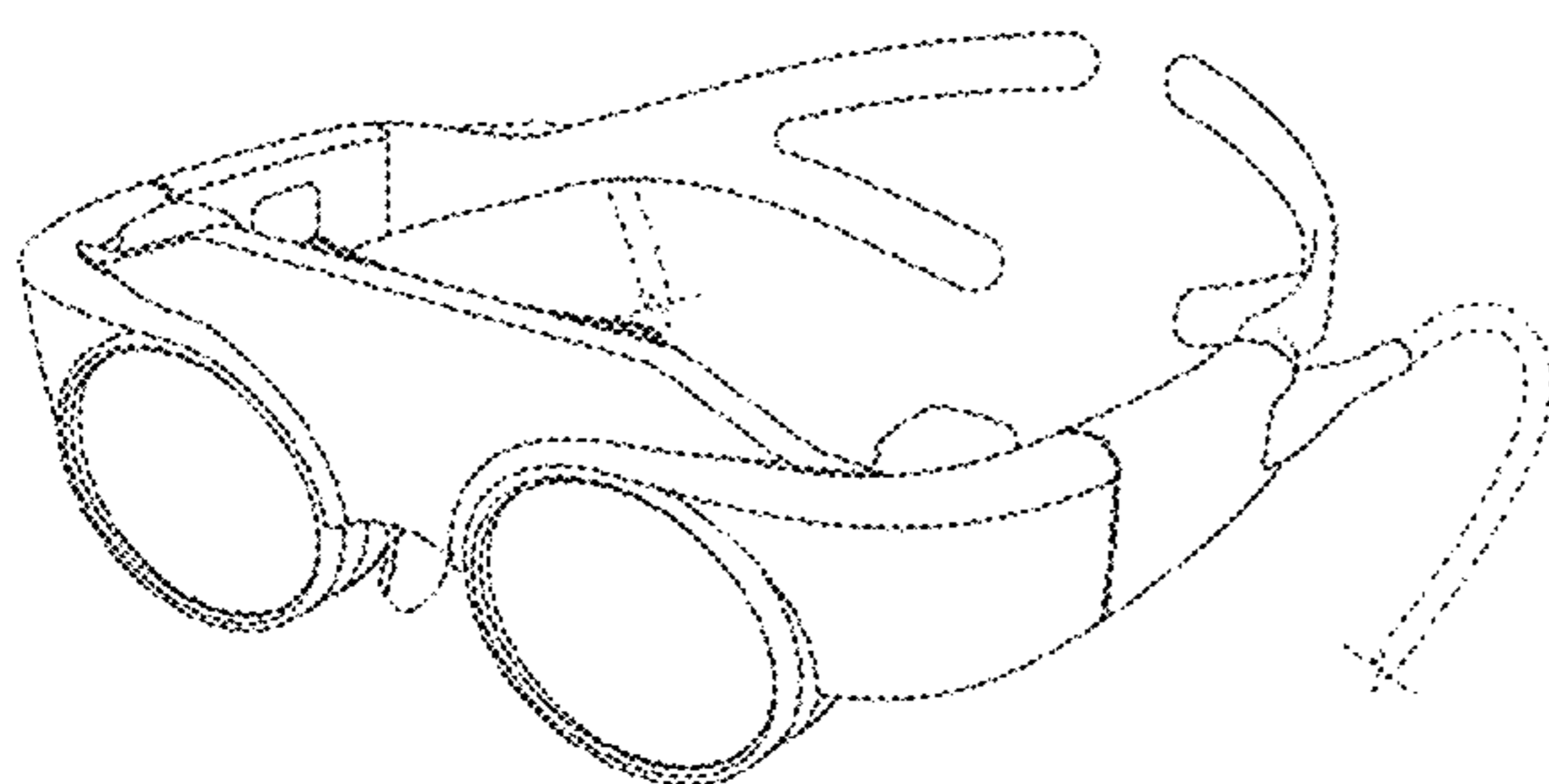
We claim the ornamental design for a head mounted audio-visual display system, as shown and described.

DESCRIPTION

FIG. 1 is a front perspective view of a head mounted audio-visual display system showing our design; FIG. 2 is a back perspective view thereof; FIG. 3 is a front view thereof; FIG. 4 is a rear view thereof; FIG. 5 is a left side view thereof; FIG. 6 is a right side view thereof; FIG. 7 is a top view thereof; and, FIG. 8 is a bottom view thereof.

The broken lines shown in the figures show portions of the head mounted audio-visual display system that form no part of the claimed design.

1 Claim, 8 Drawing Sheets



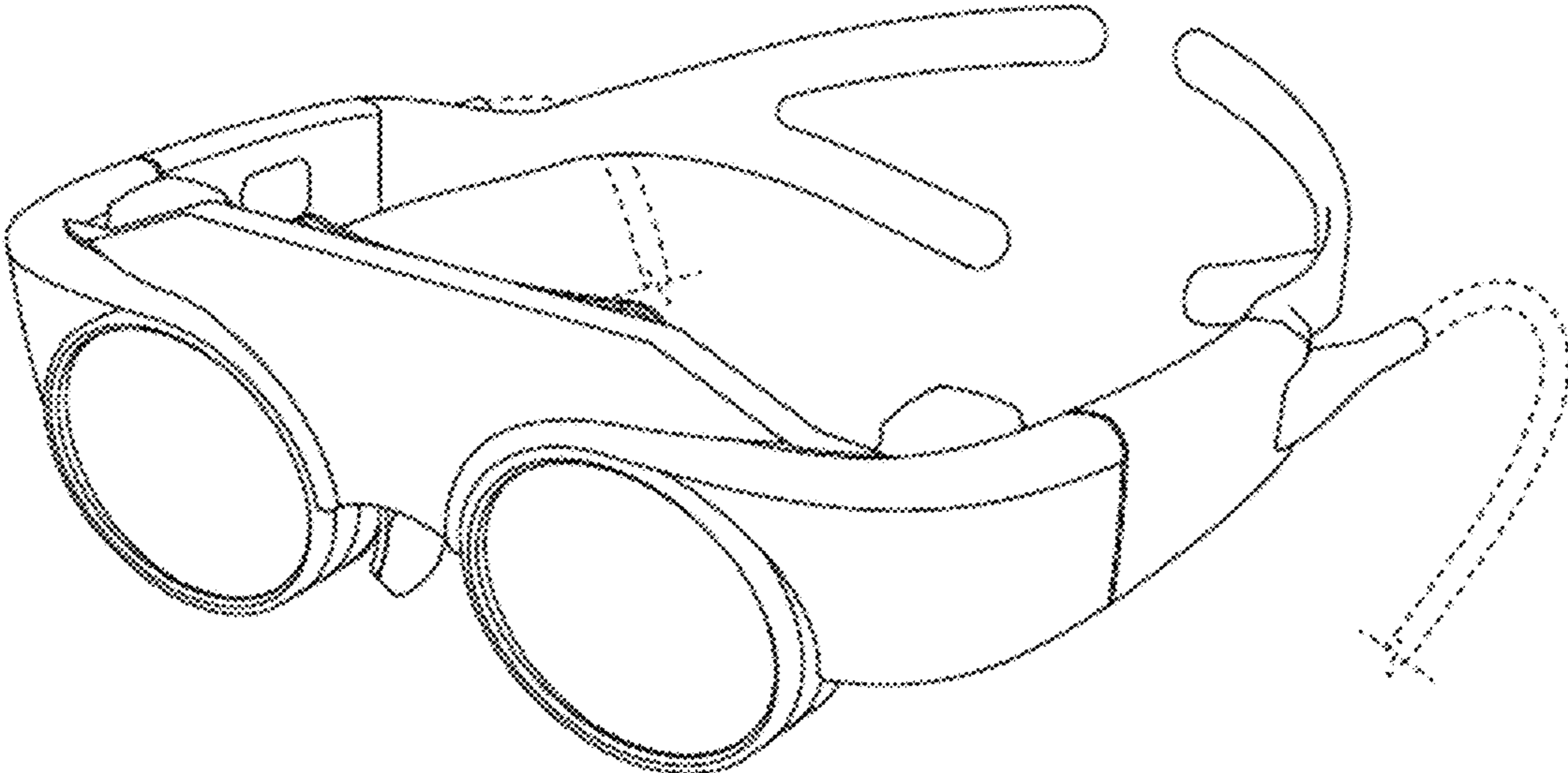


FIG. 1

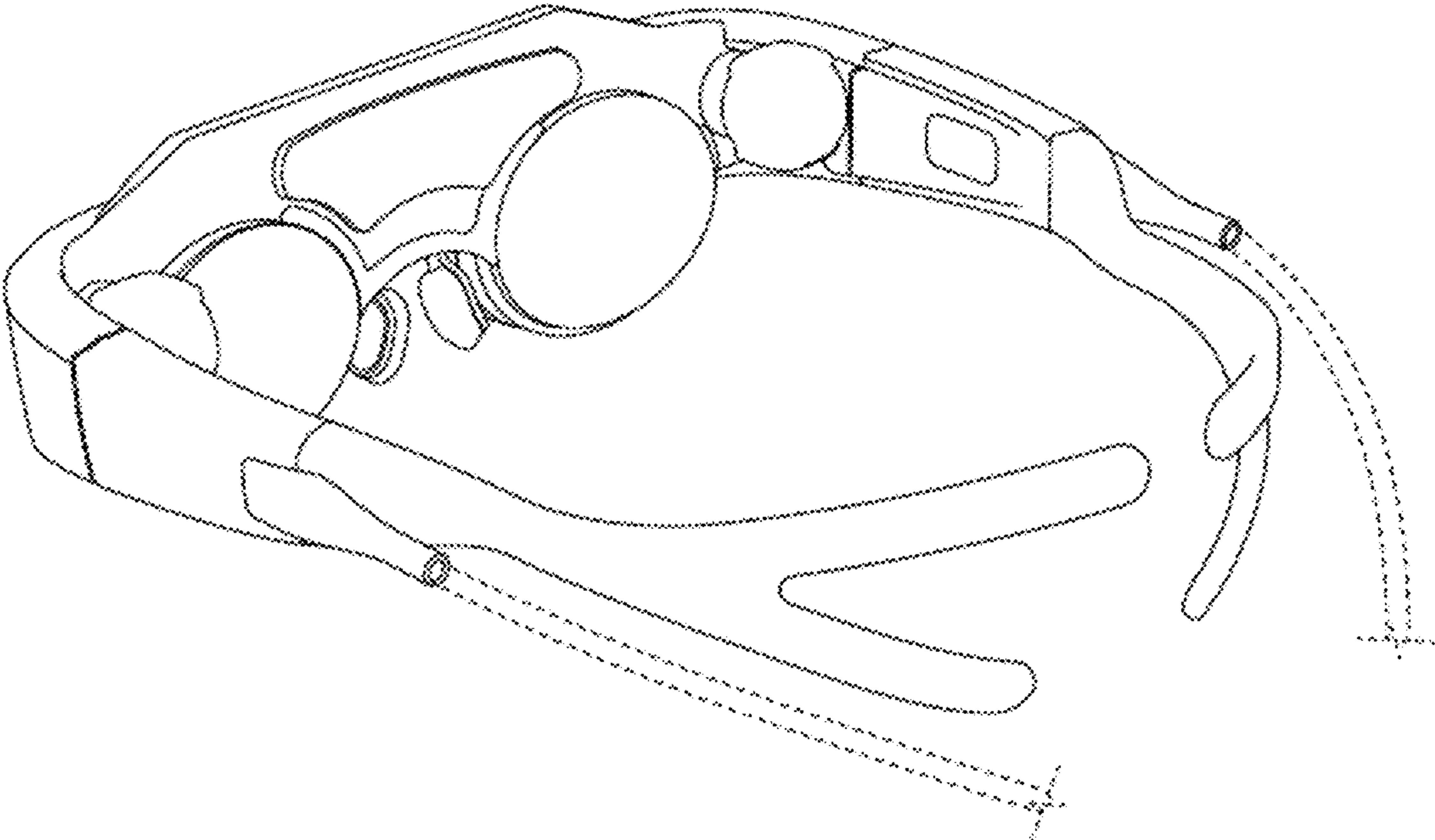


FIG. 2

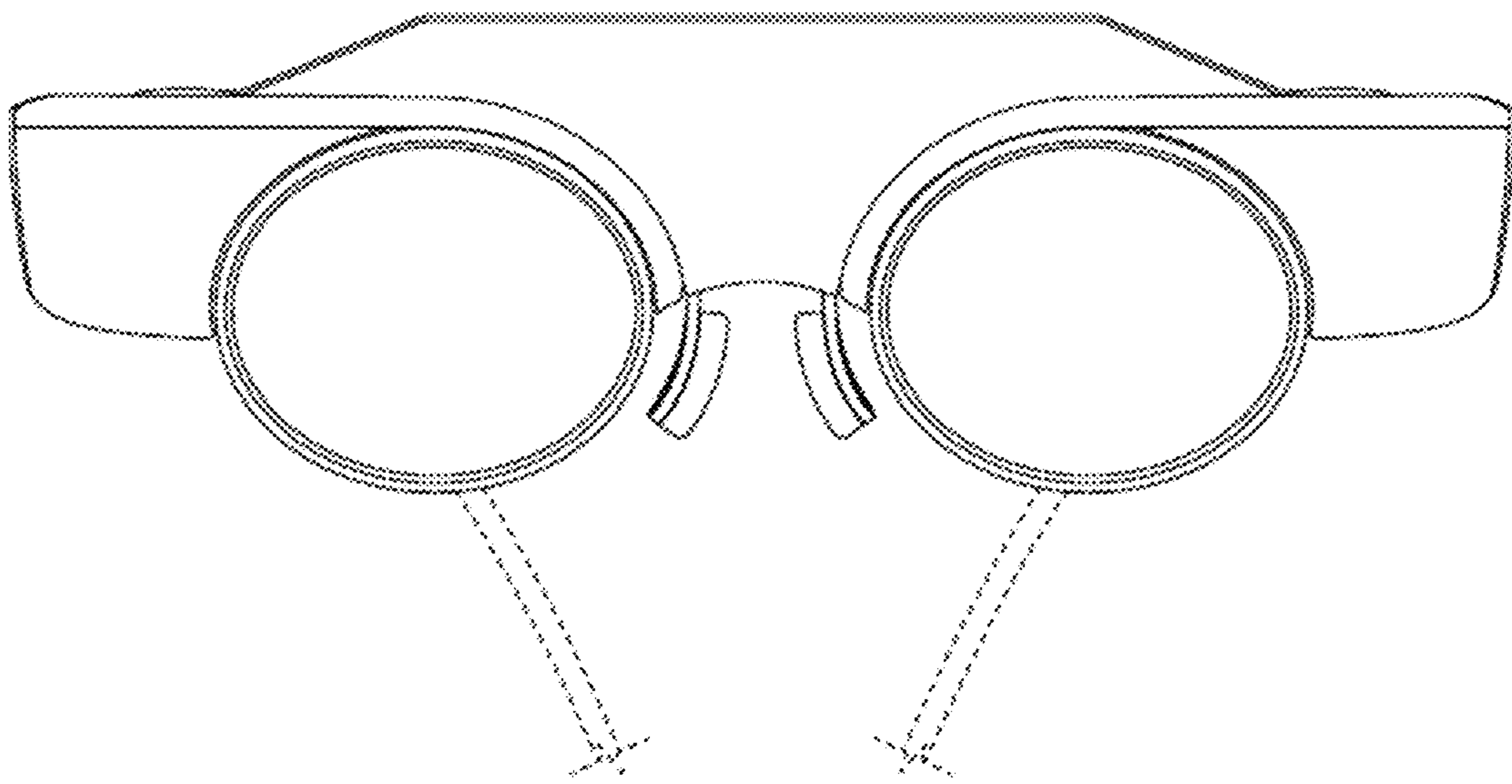


FIG. 3

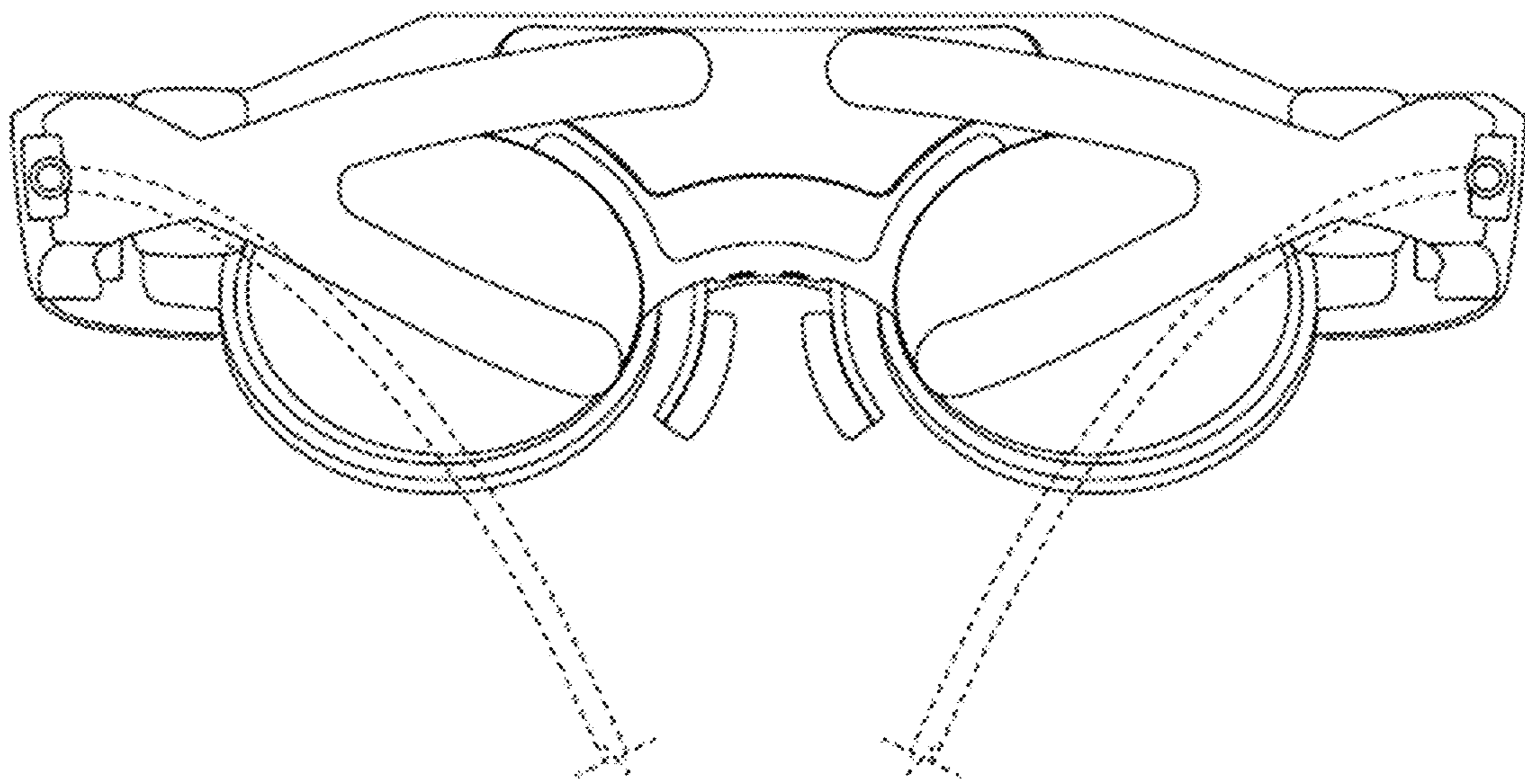


FIG. 4

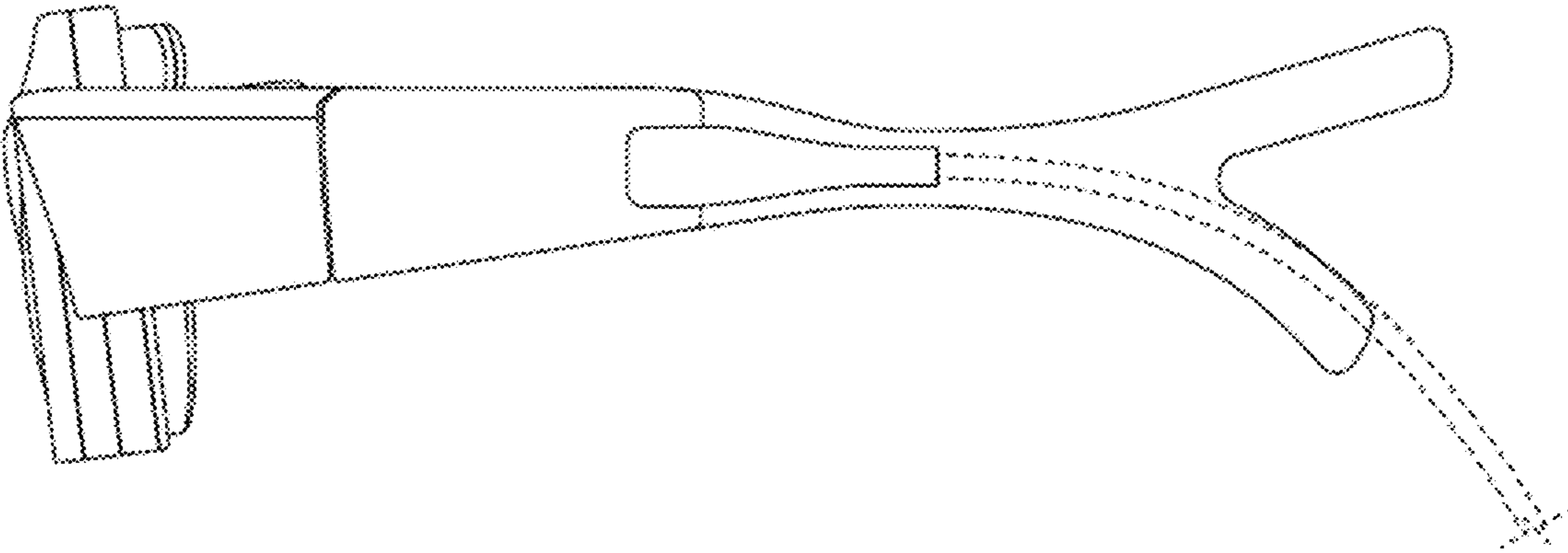


FIG. 5

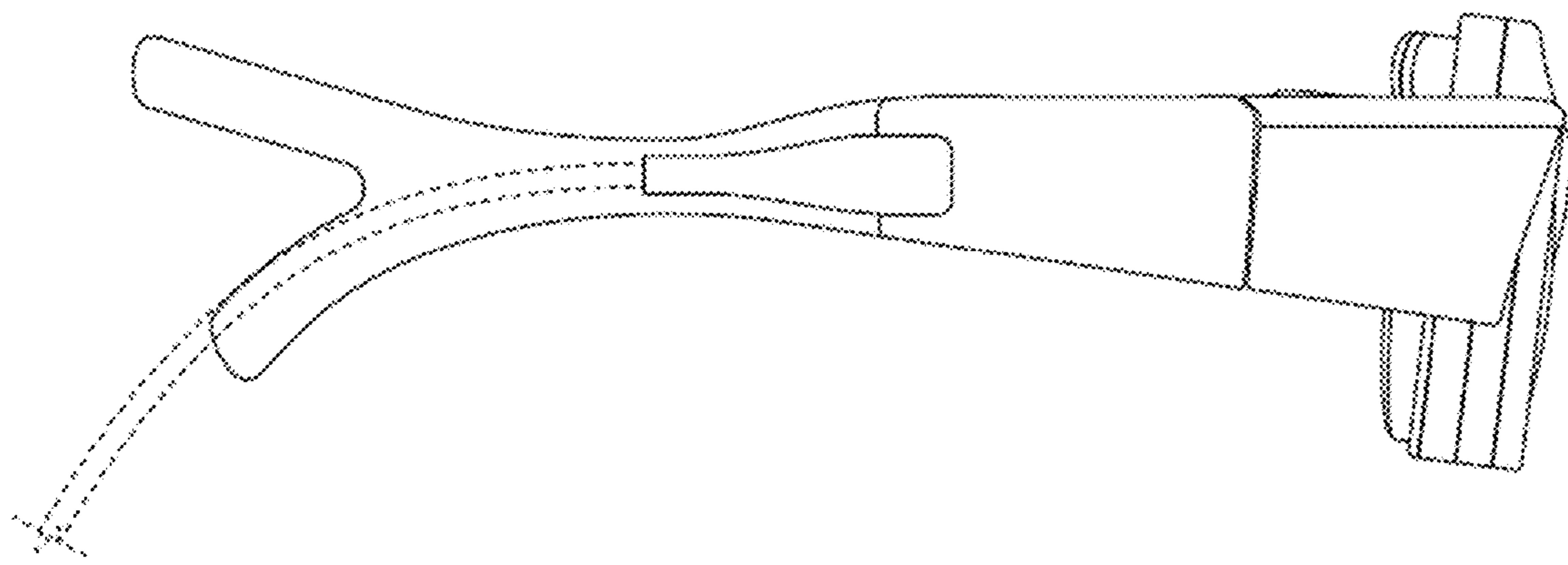


FIG. 6

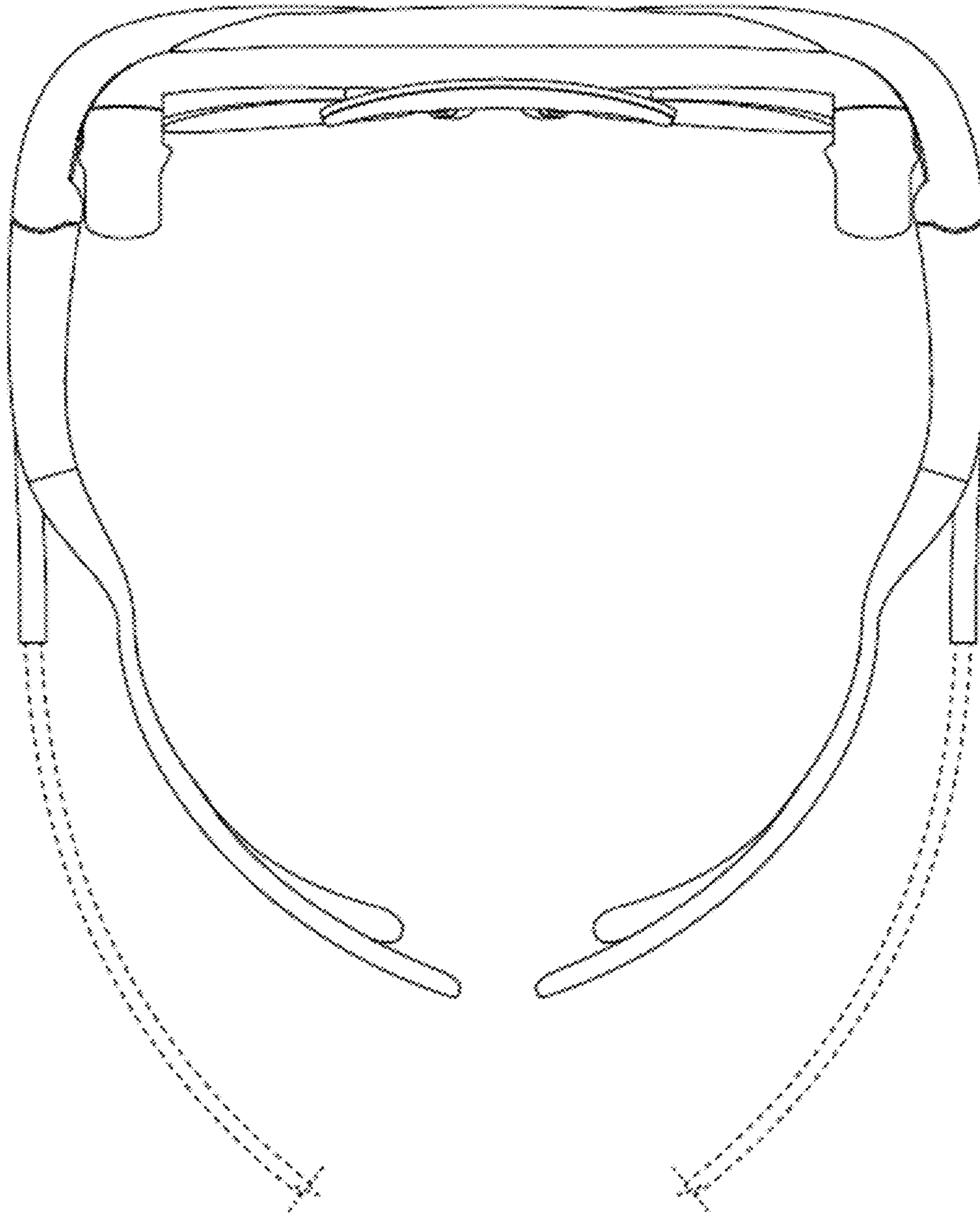


FIG. 7

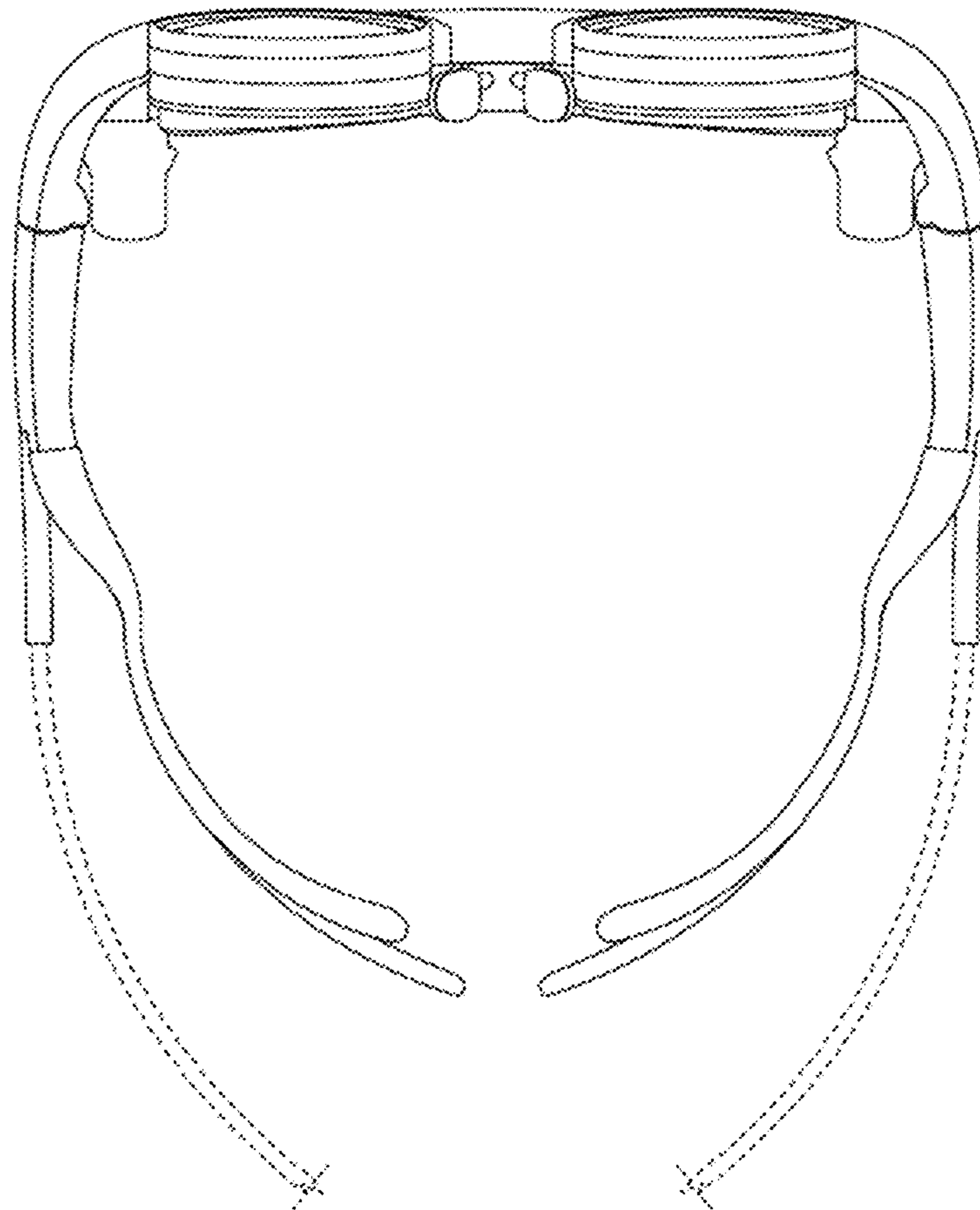


FIG. 8