



US00D796502S

(12) **United States Design Patent** (10) **Patent No.:** **US D796,502 S**
Bowes et al. (45) **Date of Patent:** **** Sep. 5, 2017**

(54) **SLIM EXTERNAL WIRELESS STORAGE DRIVE**

(71) Applicant: **INTEL CORPORATION**, Santa Clara, CA (US)

(72) Inventors: **Reese Bowes**, Portland, OR (US); **Sayan Lahiri**, Hillsboro, OR (US); **Bo Qiu**, Hillsboro, OR (US); **Jianfang Olena Zhu**, Hillsboro, OR (US); **Brian A. Wilk**, Portland, OR (US); **Kevin J. Daniel**, Tigard, OR (US); **Ana M. Yepes**, Hillsboro, OR (US); **Guodong Zhang**, Portland, OR (US)

(73) Assignee: **Intel Corporation**, Santa Clara, CA (US)

(**) Term: **15 Years**

(21) Appl. No.: **29/505,654**

(22) Filed: **Dec. 26, 2015**

(51) **LOC (10) Cl.** **14-02**

(52) **U.S. Cl.**
USPC **D14/365**; D14/358; D14/348

(58) **Field of Classification Search**
USPC D14/300–302, 308, 313, 314, 348–370, D14/383–385, 435, 442–446, 474, 478, D14/480.1, 483, 496, 125, 135, 155, D14/240–242, 299; D10/46, 65, 75, 78, D10/104.1, 106.1, 106.2, 106.3; D13/103, 107, 108, 119, 123, 158, 162, D13/162.1, 163, 184, 199
CPC G11B 33/04; G11B 33/08; G11B 33/124; G11B 33/126; G11B 33/128; G11B 23/02; G11B 23/023; G11B 23/0236; G11B 23/0313; G11B 23/0316; H05K 5/00; H05K 5/0213; H05K 7/14; H05K 7/1424; H05K 7/1485; H05K 7/20709; H05K 7/20727; G06F 1/181; G06F 1/187; G06F 1/183; G06F 1/184

See application file for complete search history.

(56) **References Cited**

U.S. PATENT DOCUMENTS

| | | | | |
|---------------|---------|---------|-------|------------------------|
| D277,963 S * | 3/1985 | Bousman | | D14/158 |
| D391,967 S * | 3/1998 | Blais | | D14/240 |
| D406,575 S * | 3/1999 | Michael | | D14/366 |
| D429,244 S * | 8/2000 | Hu | | D14/348 |
| 6,147,859 A * | 11/2000 | Abboud | | G06F 1/20 312/223.1 |
| D437,844 S * | 2/2001 | Sayers | | D14/137 |

(Continued)

Primary Examiner — Susan Bennett Hattan

Assistant Examiner — Marie Fast Horse

(74) *Attorney, Agent, or Firm* — International IP Law Group, P.L.L.C.

(57) **CLAIM**

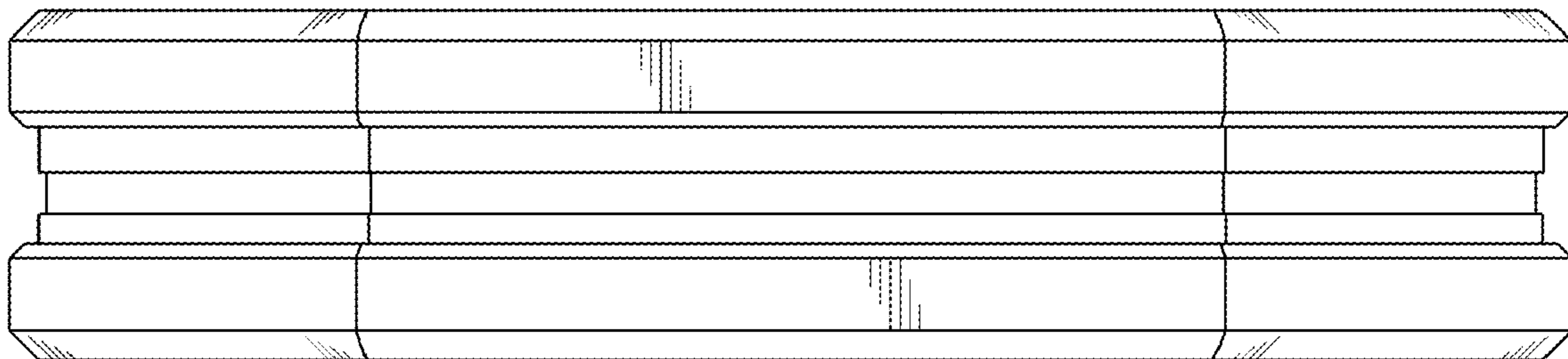
The ornamental design for a slim external wireless storage drive, as shown and described.

DESCRIPTION

FIG. 1 is a left-side view of the slim external wireless storage drive according to the design shown in FIG. 7; FIG. 2 is a right-side view thereof; FIG. 3 is a top view thereof; FIG. 4 is a bottom view thereof; FIG. 5 is a front view thereof; FIG. 6 is a rear view thereof; FIG. 7 is a top perspective view of a slim external wireless storage drive; FIG. 8 is a bottom perspective view thereof; and, FIG. 9 is an enlarged detail bottom perspective view thereof, taken from FIG. 8.

The broken lines of the FIGURES depict parts of the slim external wireless storage drive that form no part of the claimed design. Further, line shading is meant to show contour of represented surfaces and not surface ornamentation.

1 Claim, 9 Drawing Sheets



(56)

References Cited

U.S. PATENT DOCUMENTS

| | | | | | | |
|--------------|----|---|---------|-----------|-------|---------------------------|
| D451,919 | S | * | 12/2001 | Abboud | | D14/356 |
| D462,954 | S | * | 9/2002 | Chen | | D14/299 |
| D487,892 | S | * | 3/2004 | Ogura | | D14/356 |
| D506,755 | S | * | 6/2005 | Chen | | D14/349 |
| D524,310 | S | * | 7/2006 | Kent | | D13/147 |
| D529,495 | S | * | 10/2006 | Kent | | D14/356 |
| D543,542 | S | * | 5/2007 | Ng | | D14/356 |
| D543,543 | S | * | 5/2007 | Ng | | D14/356 |
| D552,184 | S | * | 10/2007 | Hussaini | | D14/496 |
| D575,785 | S | * | 8/2008 | Chang | | D14/432 |
| D585,439 | S | * | 1/2009 | Ching | | D14/300 |
| D601,142 | S | * | 9/2009 | Lindley | | D14/240 |
| D618,237 | S | * | 6/2010 | Wang | | D14/356 |
| D625,719 | S | * | 10/2010 | Carroll | | D14/240 |
| D632,290 | S | * | 2/2011 | Jeon | | D14/356 |
| D693,807 | S | * | 11/2013 | Shim | | D14/353 |
| D694,233 | S | * | 11/2013 | Hoofnagle | | D14/356 |
| D766,821 | S | * | 9/2016 | Chan | | D13/107 |
| 2002/0109513 | A1 | * | 8/2002 | Wilk | | G01R 1/0408 324/750.25 |
| 2014/0117196 | A1 | * | 5/2014 | Mi | | F16M 11/16 248/551 |

* cited by examiner

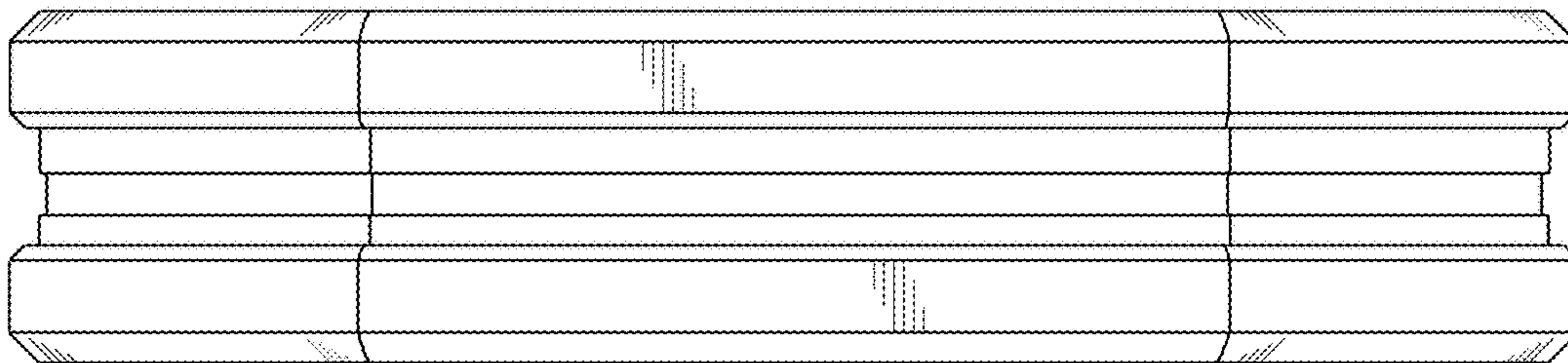


FIG. 1

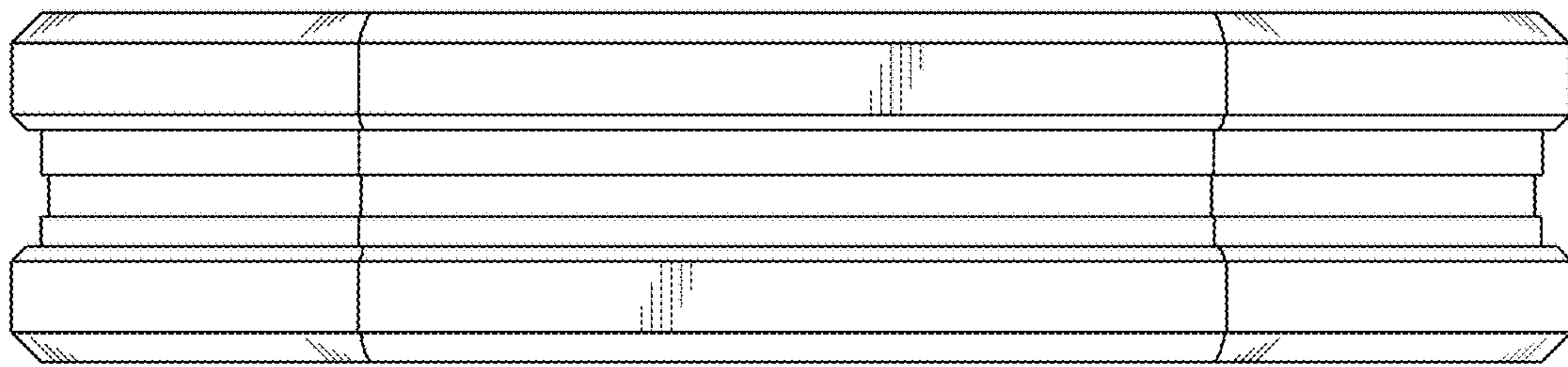


FIG. 2

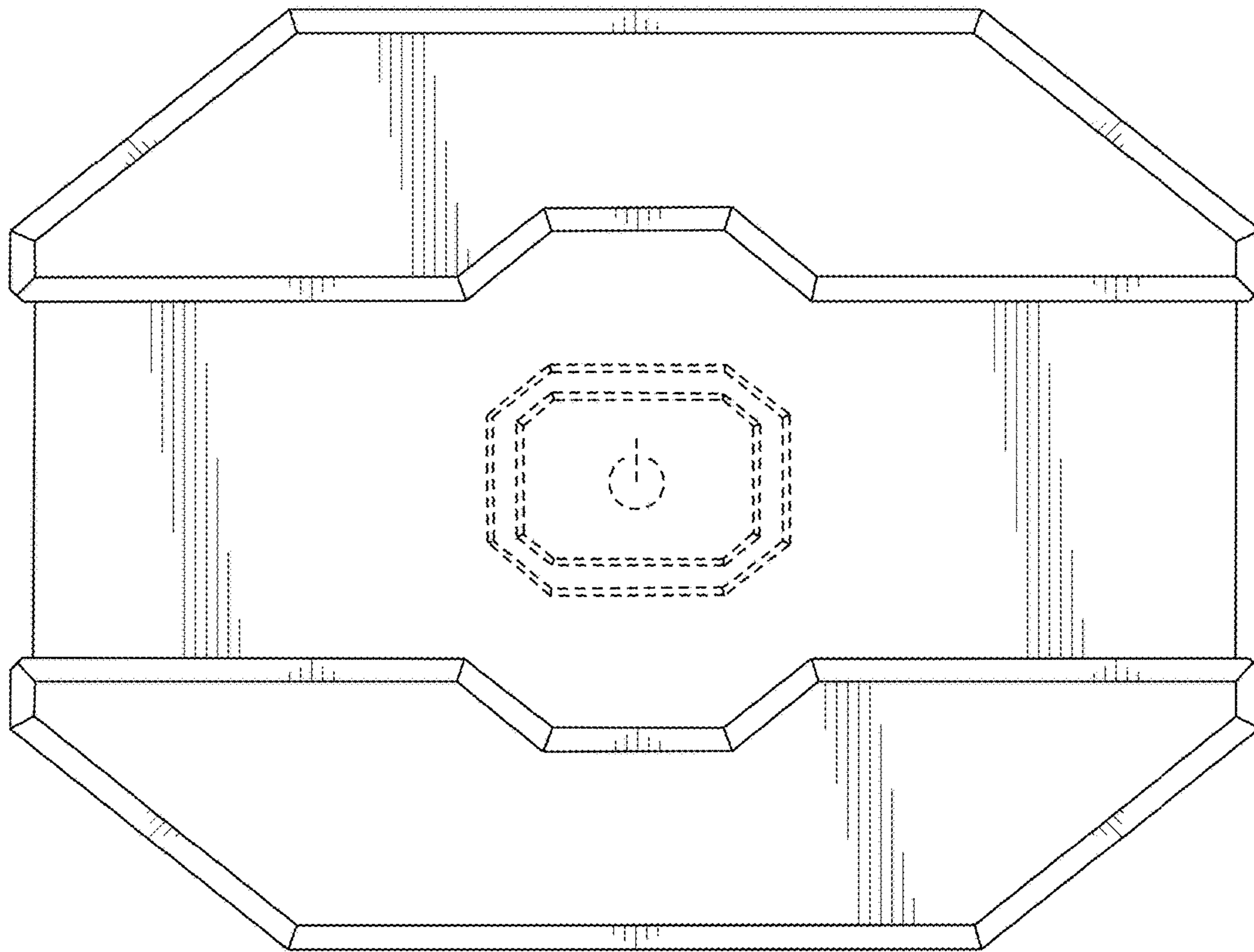


FIG. 3

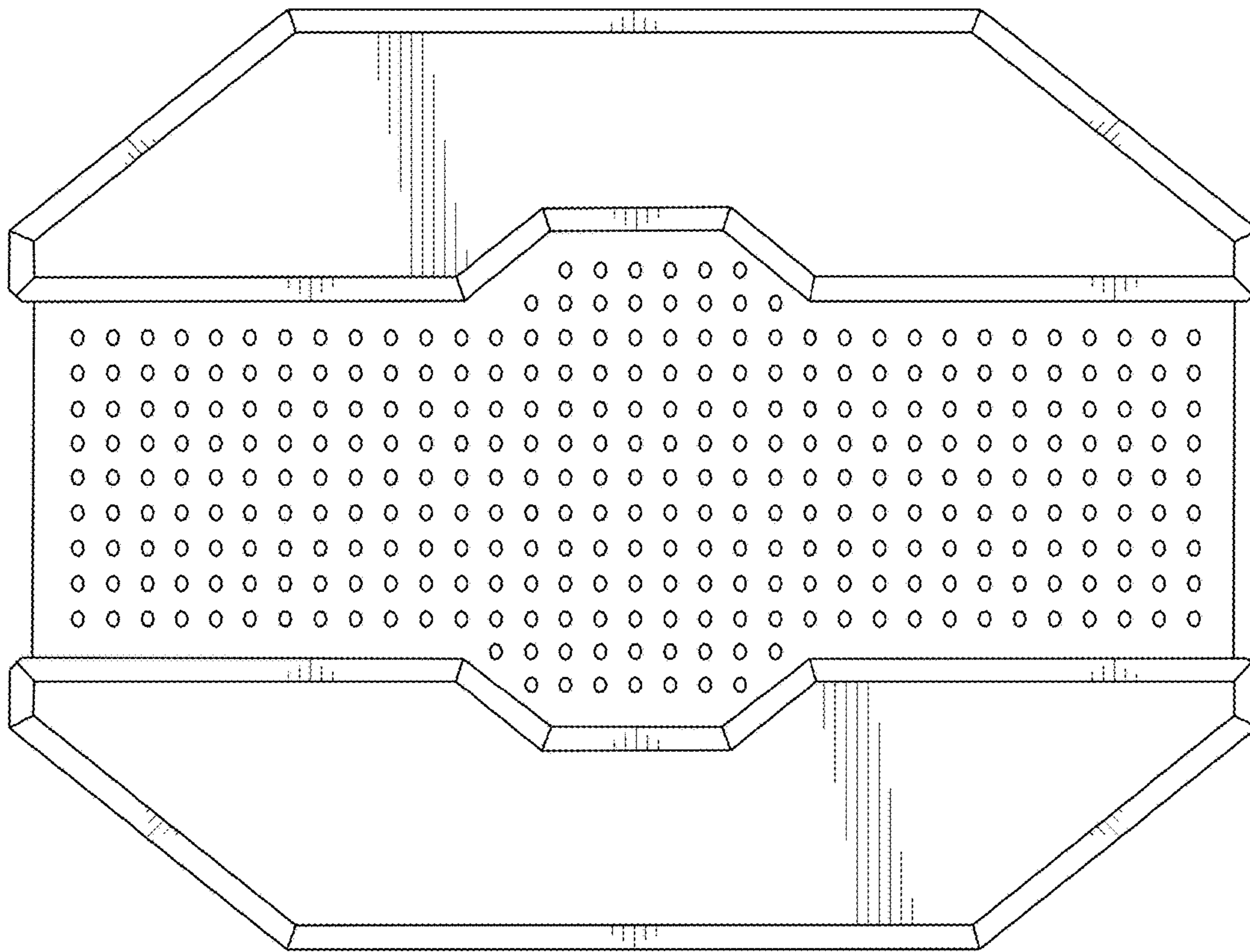


FIG. 4

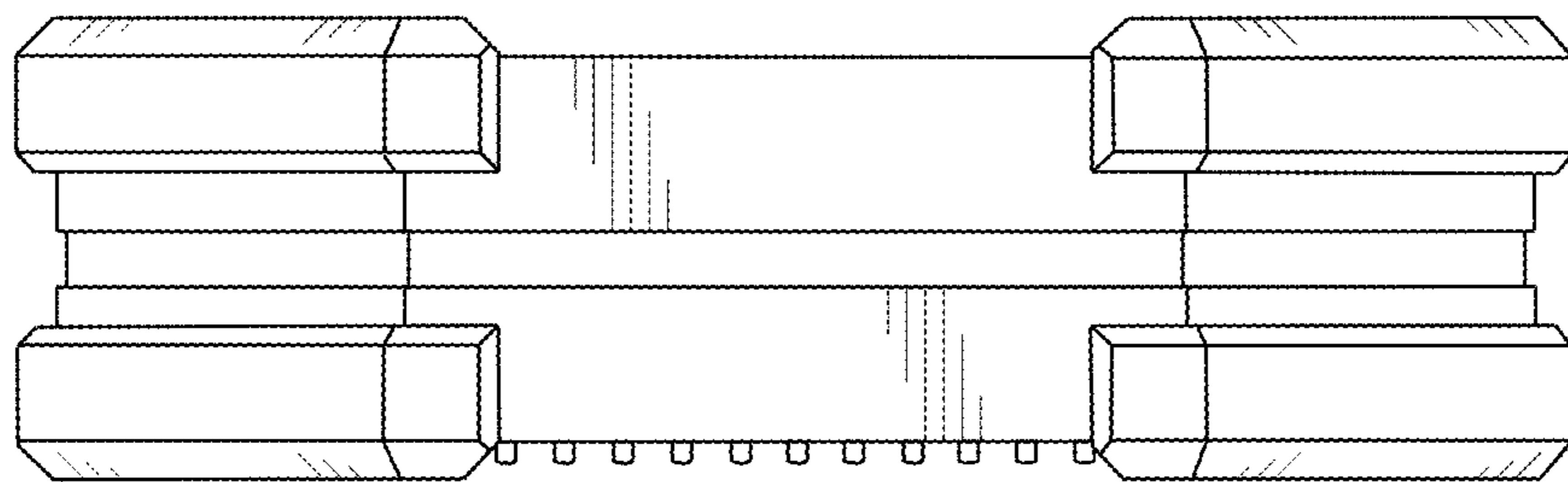


FIG. 5

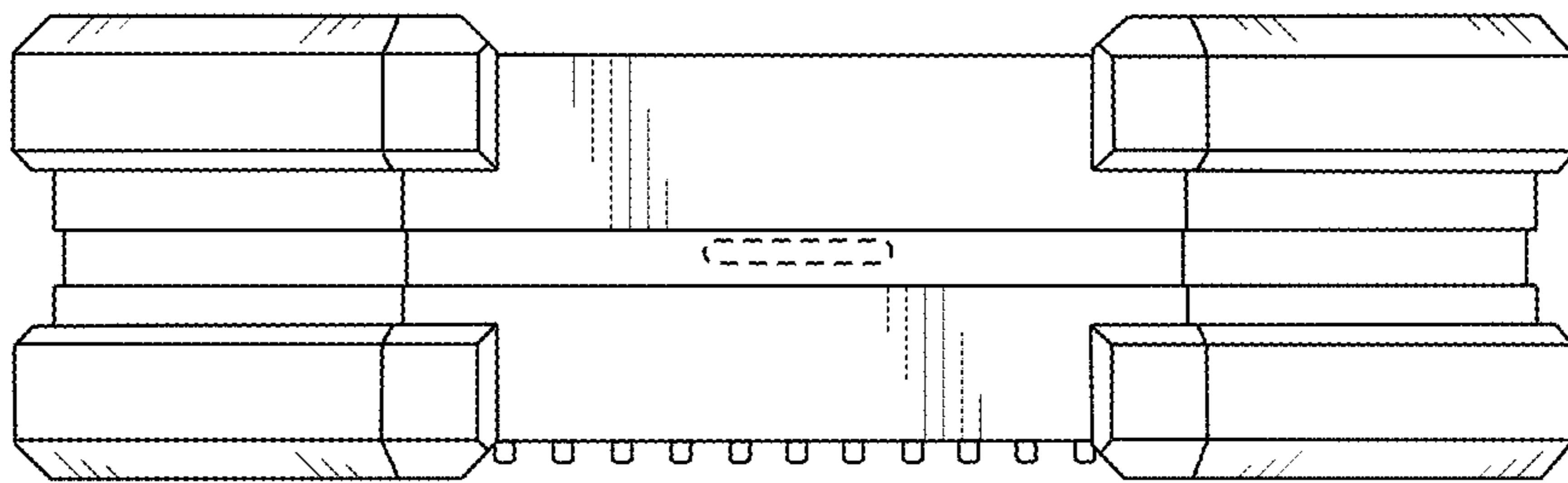


FIG. 6

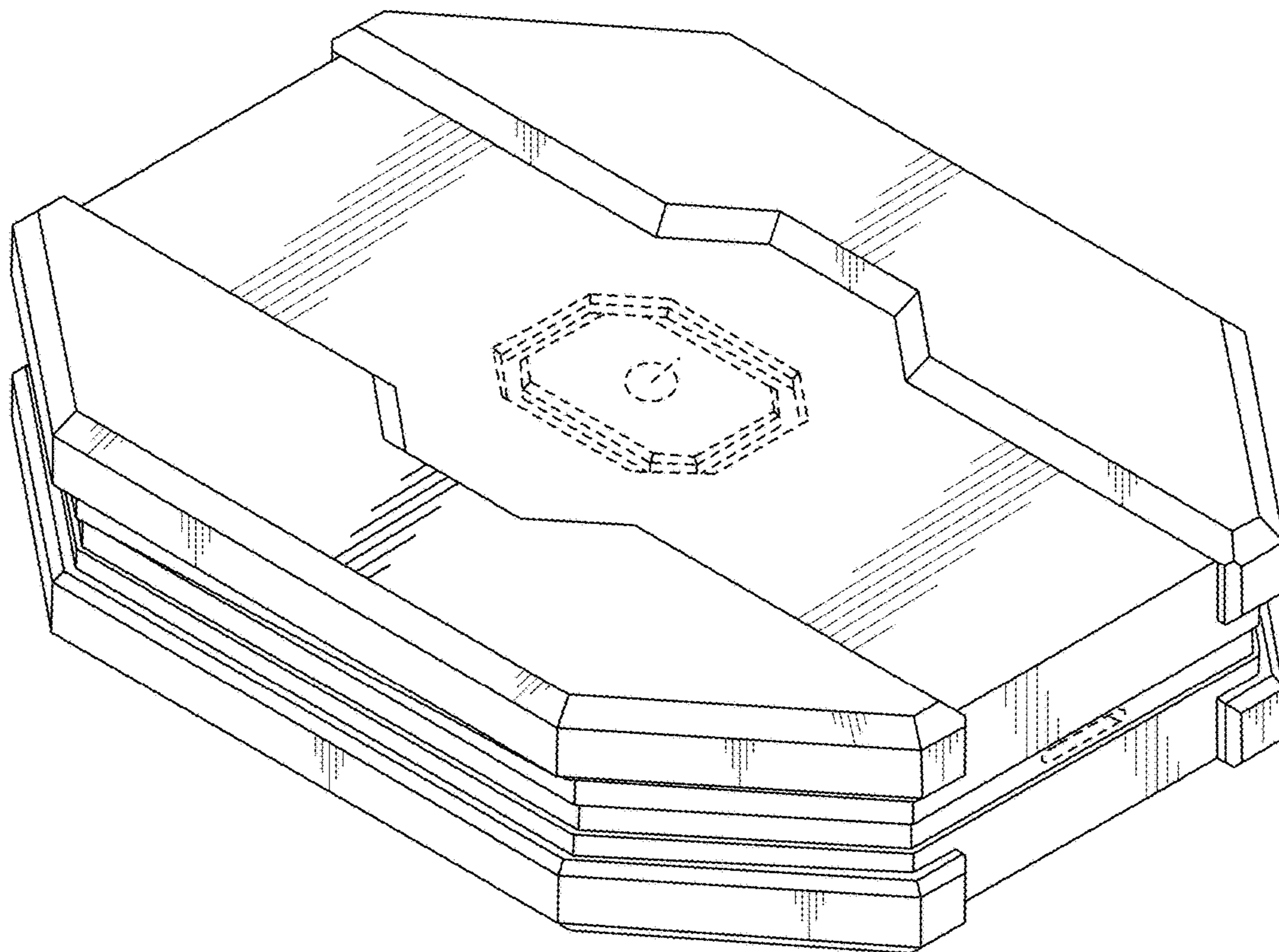


FIG. 7

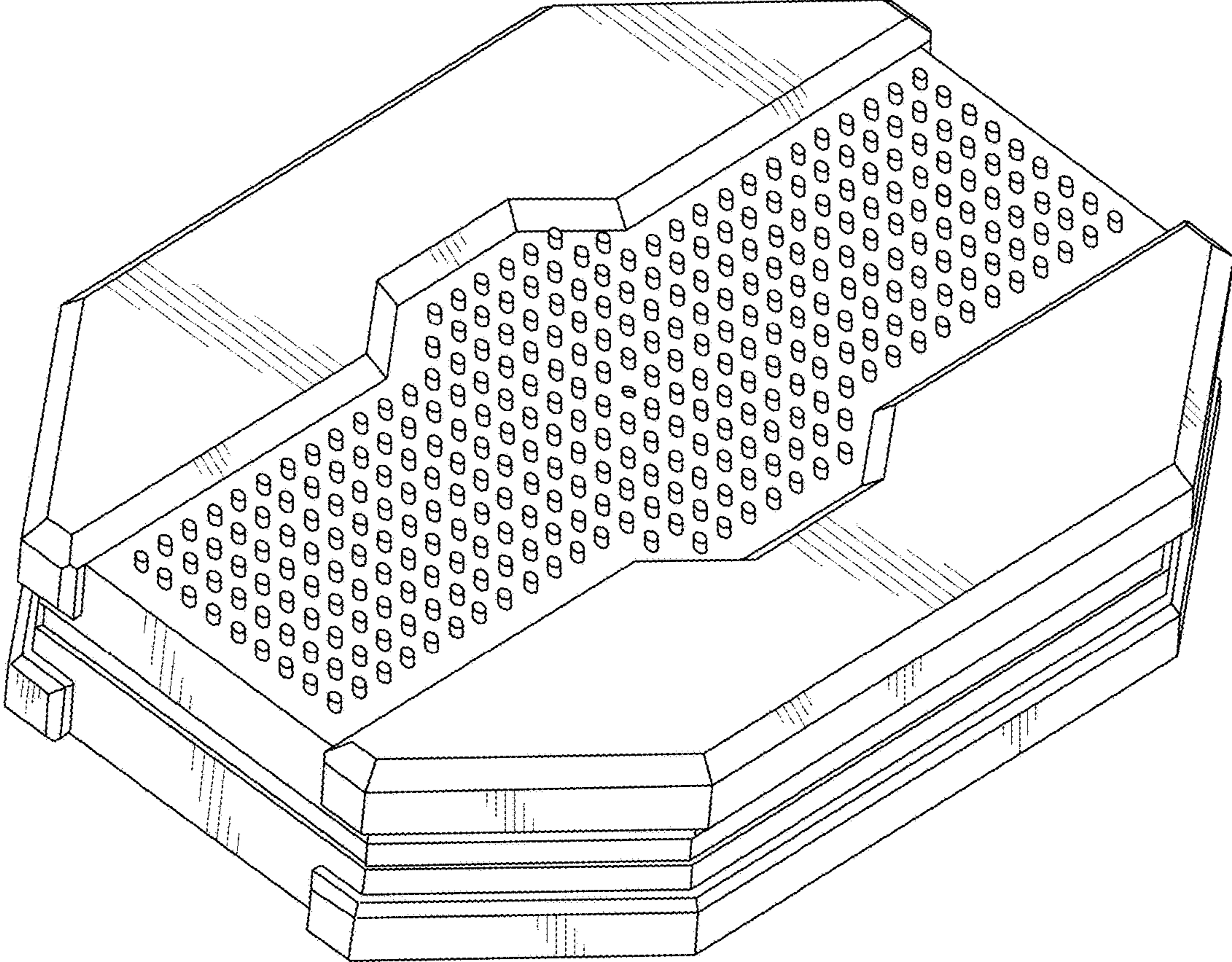


FIG. 8

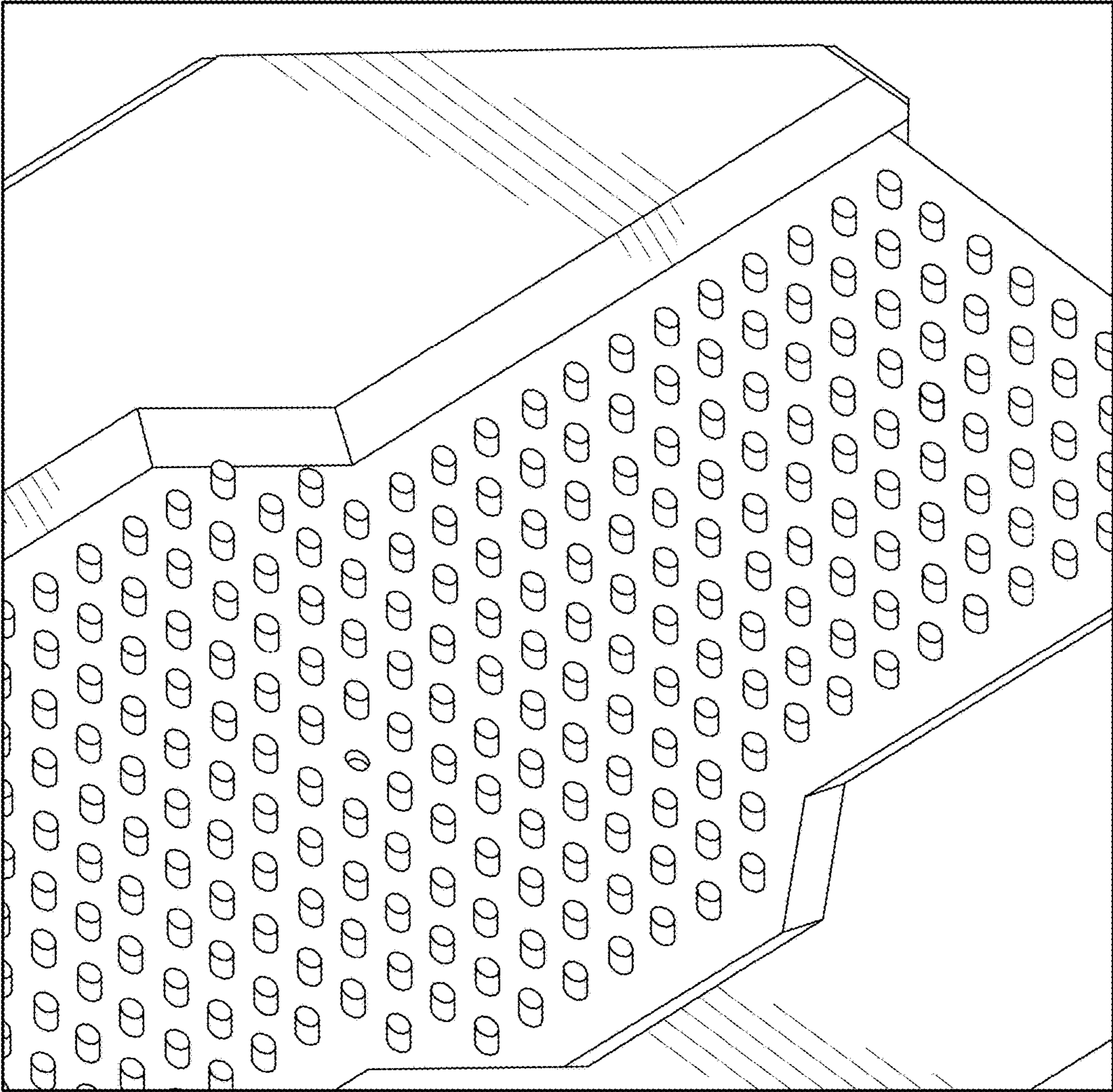


FIG. 9