



US00D796501S

(12) **United States Design Patent**
Yu et al.

(10) **Patent No.:** **US D796,501 S**
(45) **Date of Patent:** **** Sep. 5, 2017**

- (54) **ACTIVITY TRACKER BAND**
- (71) Applicants: **Anhui Huami Information Technology Co., Ltd.**, Hefei, Anhui (CN); **Huami Inc.**, Sunnyvale, CA (US)
- (72) Inventors: **Pengtao Yu**, Mountain View, CA (US); **Xiaoxi Shi**, Mountain View, CA (US); **Wang Huang**, Beijing (CN); **Yi Zhang**, Anhui (CN); **Lian Zhang**, Anhui (CN)
- (73) Assignees: **Anhui Huami Information Technology Co., Ltd.**, Anhui (CN); **Huami Inc.**, Mountain View, CA (US)

D299,117 S *	12/1988	Maroni	D10/32
D314,153 S *	1/1991	Ratajski	D10/32
D318,808 S *	8/1991	Yum	D10/32
D510,037 S *	9/2005	Modolo	D10/32
D567,684 S *	4/2008	Haddadin	D10/65
D758,909 S *	6/2016	Young	D11/26

(Continued)

Primary Examiner — Cynthia Ramirez
Assistant Examiner — Llorellys Martinez-Rivera
(74) *Attorney, Agent, or Firm* — Young Basile Hanlon & MacFarlane, P.C.

(**) Term: **15 Years**

(21) Appl. No.: **29/542,203**

(22) Filed: **Oct. 12, 2015**

(51) **LOC (10) Cl.** **14-02**

(52) **U.S. Cl.**
USPC **D14/344**; D24/186; D11/5

(58) **Field of Classification Search**
USPC D11/1–18, 26, 27, 29, 30, 31, 34, 37, 38, D11/39, 40–43, 79–86; D14/344; D24/167, 169, 186, 187; D10/32, 65, 70, D10/97, 98; D28/41
CPC A44C 5/00; A44C 5/0007; A44C 5/0015; A44C 5/0023; A44C 5/003; A44C 5/0038; A44C 5/0046; A44C 5/0053; A44C 5/0061; A44C 5/0069; A44C 5/0076; A44C 5/0084; A44C 5/0092; A44C 5/12; A44C 13/00; G06F 1/163
See application file for complete search history.

(56) **References Cited**

U.S. PATENT DOCUMENTS

D44,048 S *	5/1913	Worms	D11/5
D260,615 S *	9/1981	Maroni	D10/32

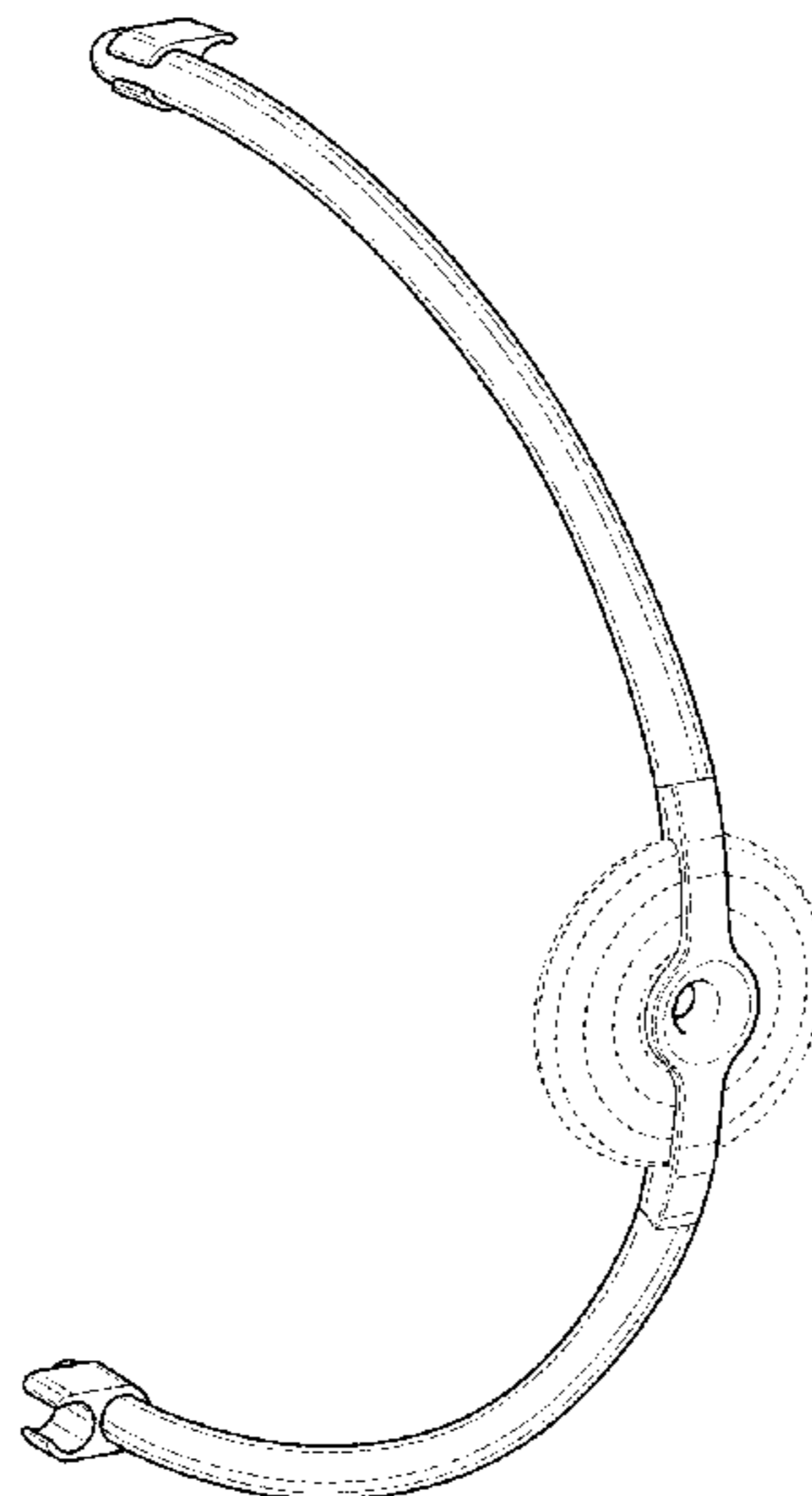
(57) **CLAIM**

The ornamental design for an activity tracker band, as shown and described.

DESCRIPTION

FIG. 1 is a front, left perspective view of an activity tracker band showing our new design.
FIG. 2 is a front view of the activity tracker band of FIG. 1.
FIG. 3 is a rear view of the activity tracker band of FIG. 1.
FIG. 4 is a left side view of the activity tracker band of FIG. 1.
FIG. 5 is a right side view of the activity tracker band of FIG. 1.
FIG. 6 is a top plan view of the activity tracker band of FIG. 1.
FIG. 7 is a bottom plan view of the activity tracker band of FIG. 1.
FIG. 8 is a perspective view of the activity tracker band of FIG. 1 in an alternate, fastened configuration; and, FIG. 9 is an enlarged partial rear perspective view of the activity tracker band of FIG. 1.
The broken lines in the drawings represent environmental subject matter only and form no part of the claimed design. The ornamental design of the present disclosure is a wrist band for use with an activity tracker module.

1 Claim, 7 Drawing Sheets



(56)

References Cited

U.S. PATENT DOCUMENTS

D775,981 S *	1/2017	Yu	D10/65
D781,852 S *	3/2017	Yu	D14/344
D782,475 S *	3/2017	Yu	D11/5
D783,606 S *	4/2017	Yu	D11/5

* cited by examiner

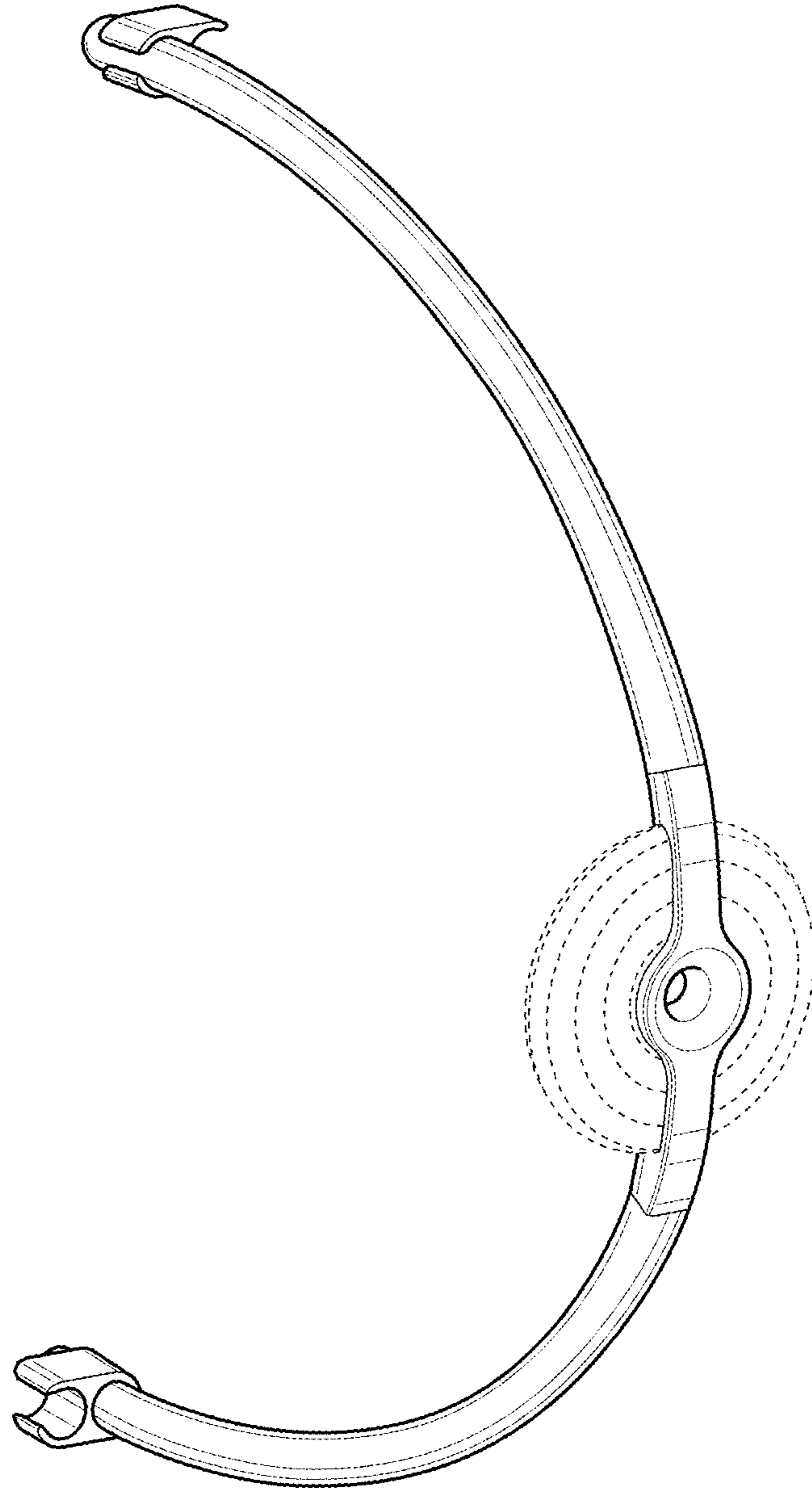


FIG. 1

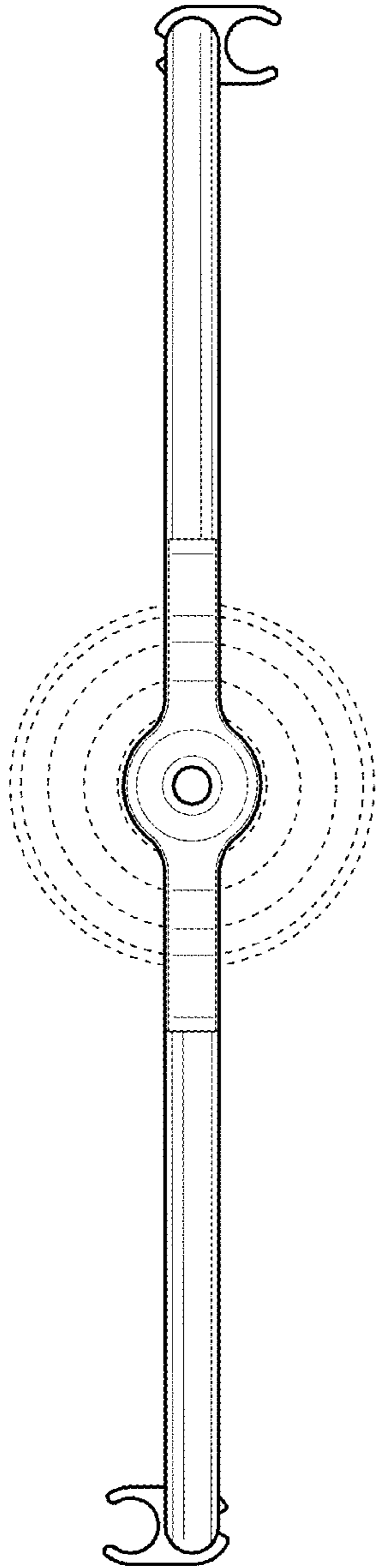


FIG. 2

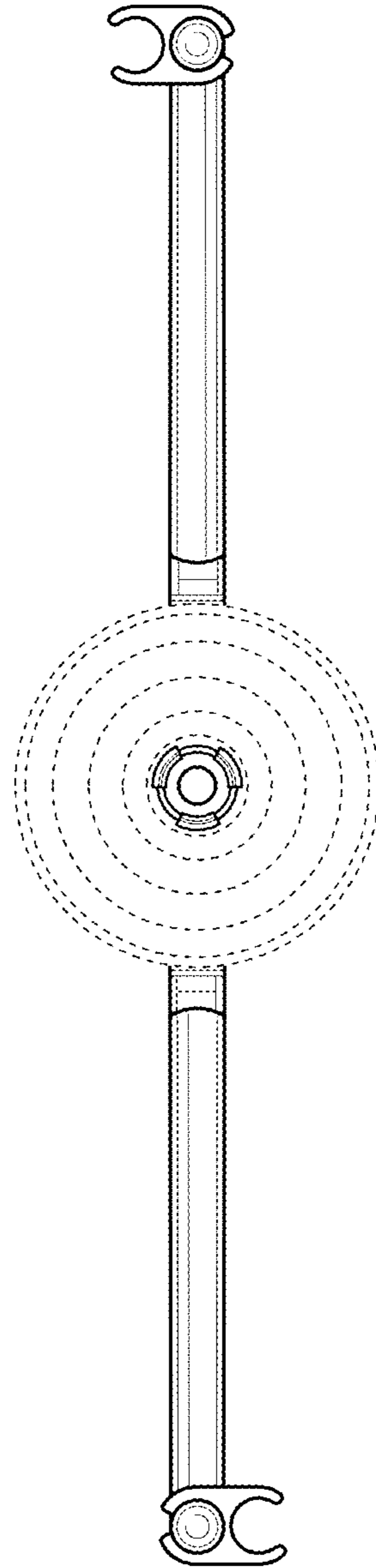


FIG. 3

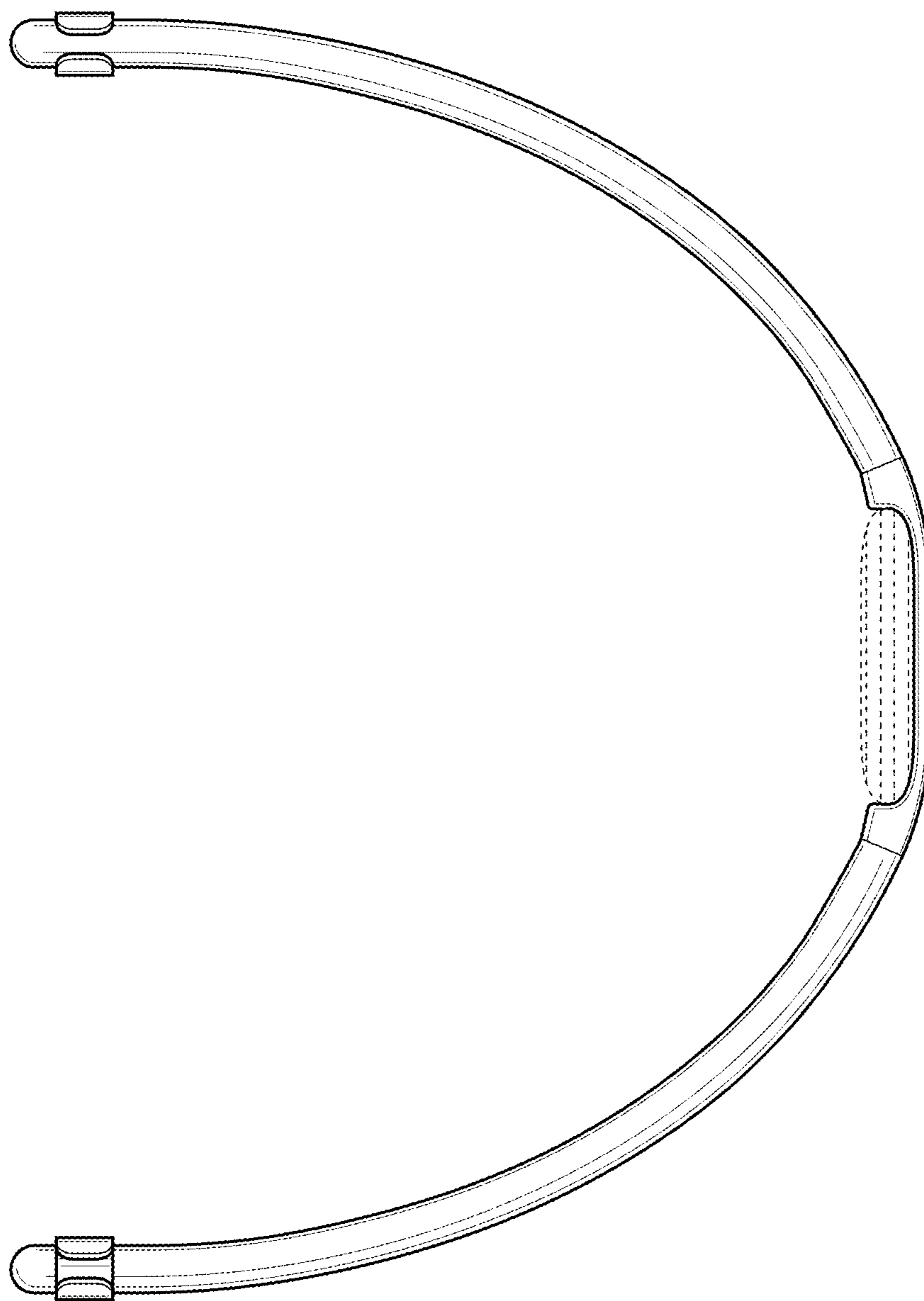


FIG. 4

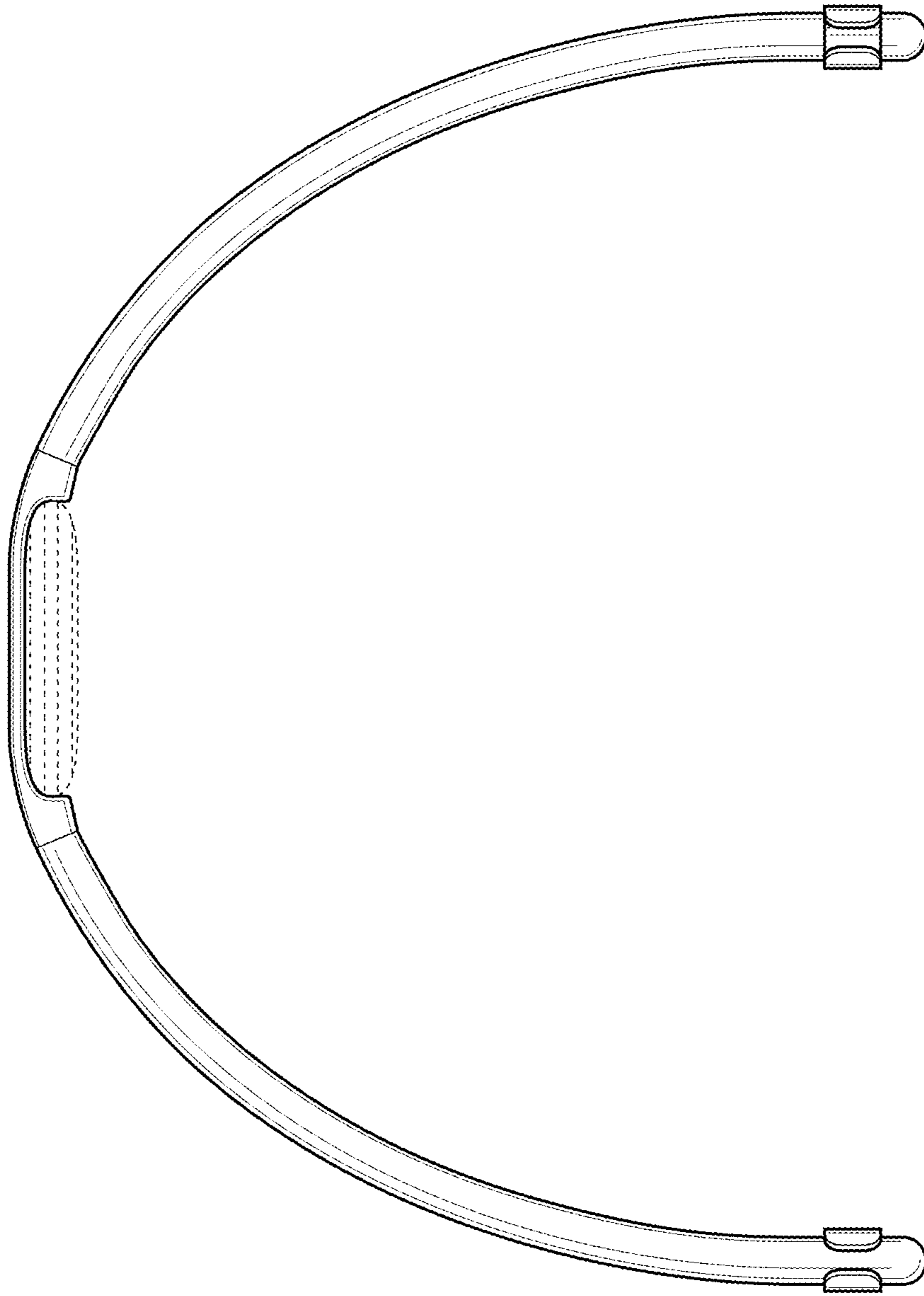


FIG. 5

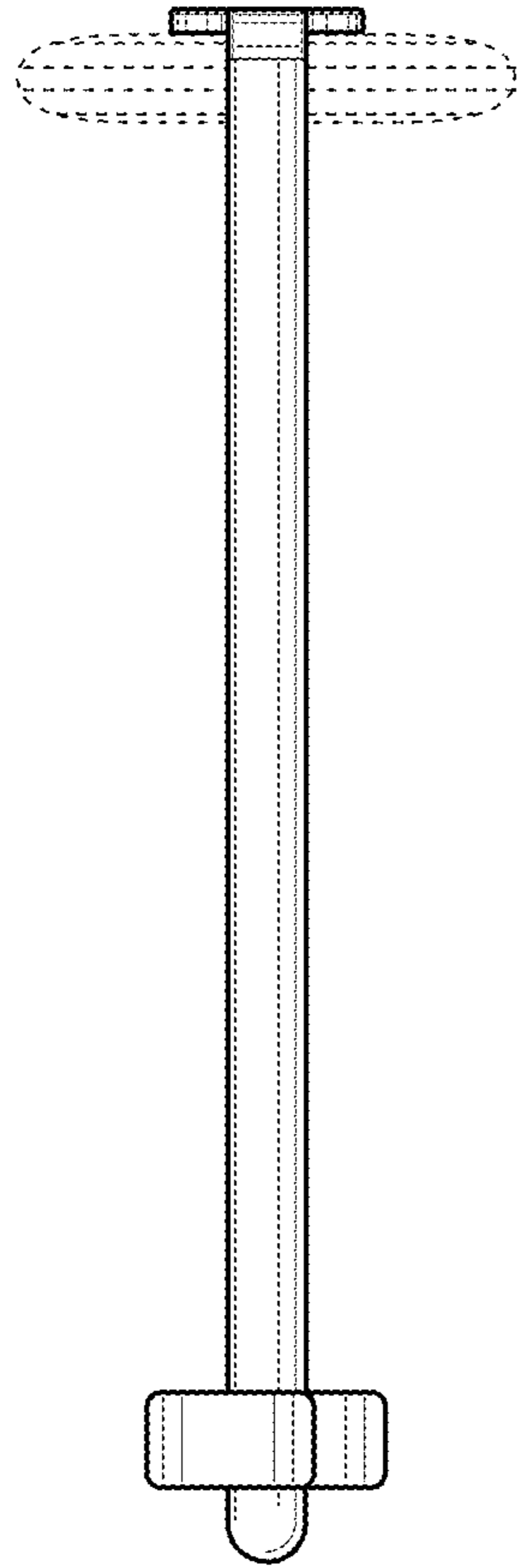


FIG. 6

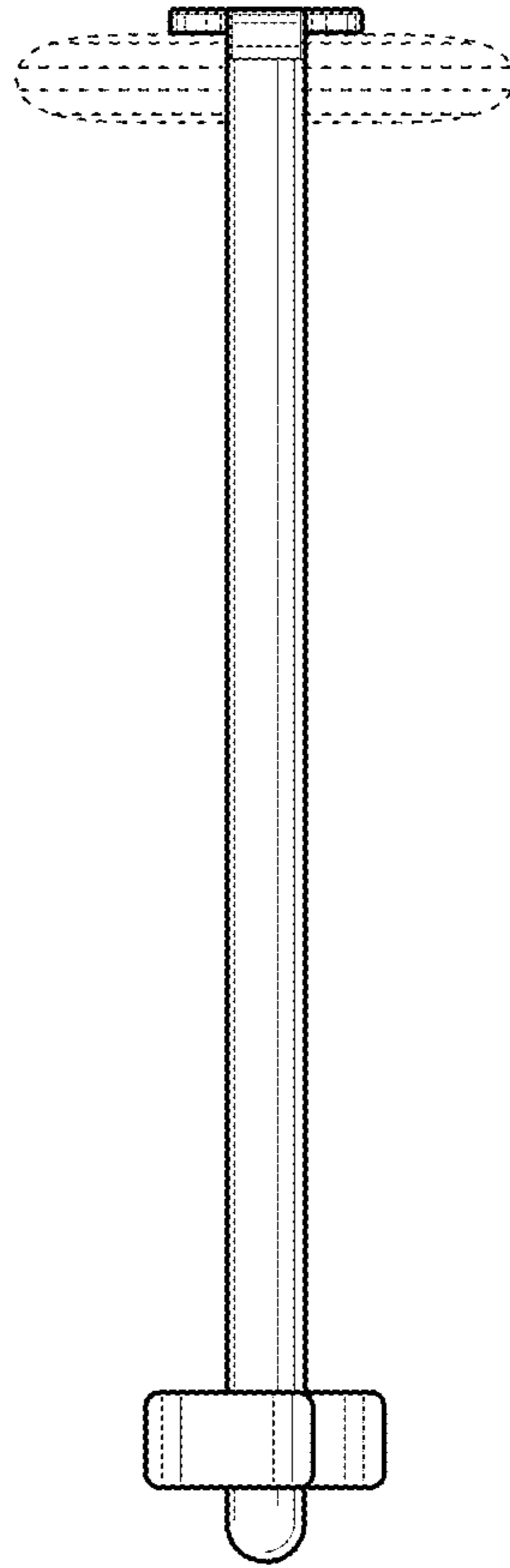


FIG. 7

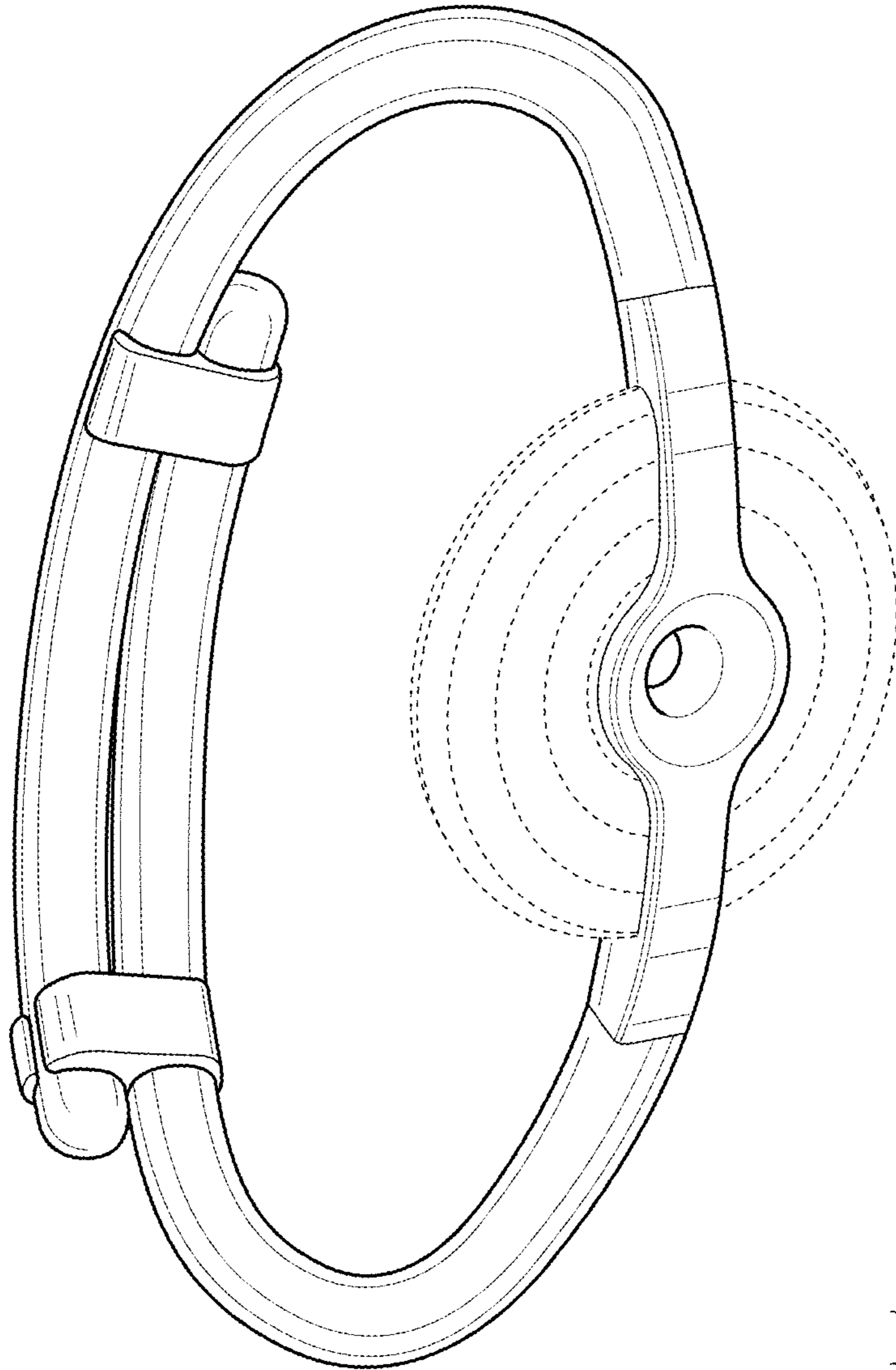


FIG. 8

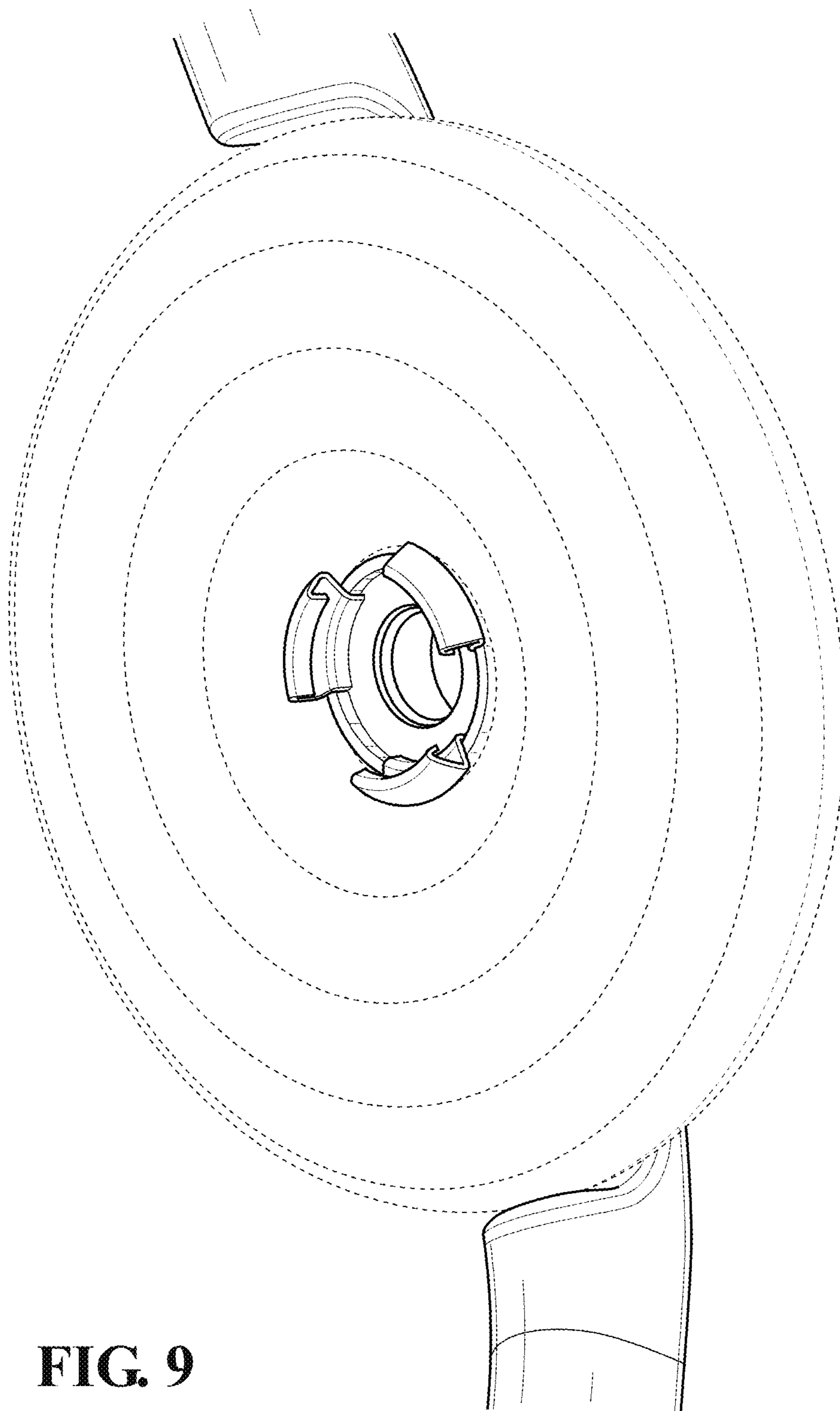


FIG. 9