



US00D796499S

(12) **United States Design Patent**  
**Lee**

(10) **Patent No.:** **US D796,499 S**  
(45) **Date of Patent:** **\*\* Sep. 5, 2017**

(54) **ELECTRONIC DEVICE**

(71) Applicant: **Samsung Electronics Co., Ltd.**,  
Suwon-si (KR)

(72) Inventor: **Sang-Uk Lee**, Seoul (KR)

(73) Assignee: **Samsung Electronics Co., Ltd.**,  
Suwon-si (KR)

(\*\*) Term: **15 Years**

(21) Appl. No.: **29/528,038**

(22) Filed: **May 26, 2015**

(30) **Foreign Application Priority Data**

Nov. 26, 2014 (KR) ..... 30-2014-0057080

(51) **LOC (10) Cl.** ..... **14-02**

(52) **U.S. Cl.**  
USPC ..... **D14/341**

(58) **Field of Classification Search**

USPC ..... D14/341-347, 137, 138 R, 138 AA,  
D14/138 AB, 138 C, 138 G, 496, 203.1,  
(Continued)

(56) **References Cited**

**U.S. PATENT DOCUMENTS**

D593,259 S \* 5/2009 VanderDussen ..... 449/26  
D625,722 S \* 10/2010 Park ..... D14/365  
(Continued)

**FOREIGN PATENT DOCUMENTS**

CN 201430021368 7/2014  
CN 201430021716 7/2014  
(Continued)

**OTHER PUBLICATIONS**

Upcoming Samsung Flexible Phone, announced Oct. 25, 2014  
[online], [site visited Apr. 26, 2017]. Available from Internet, URL:  
<<http://www.bloggerheroe.com/2014/10/upcoming-samsung-flexible-phone/>>.\*

(Continued)

*Primary Examiner* — Barbara Fox

*Assistant Examiner* — Dana K Weiland

(74) *Attorney, Agent, or Firm* — NSIP Law

(57) **CLAIM**

I claim the ornamental design for an electronic device, as shown and described.

**DESCRIPTION**

FIG. 1 is a front perspective view of an electronic device showing my new design;

FIG. 2 is a front view thereof;

FIG. 3 is a rear view thereof;

FIG. 4 is a left-side view thereof;

FIG. 5 is a right-side view thereof;

FIG. 6 is a top view thereof;

FIG. 7 is a bottom view thereof;

FIG. 8 is a front perspective view of the electronic device shown in a folded position;

FIG. 9 is a front view of the electronic device shown in FIG. 8;

FIG. 10 is a rear view of the electronic device shown in FIG. 8;

FIG. 11 is a left-side view of the electronic device shown in FIG. 8;

FIG. 12 is a right-side view of the electronic device shown in FIG. 8;

FIG. 13 is a top view of the electronic device shown in FIG. 8;

FIG. 14 is a bottom view of the electronic device shown in FIG. 8;

FIG. 15 is a front perspective view of the electronic device shown in a bent position in which the electronic device is folded;

FIG. 16 is a front view of the electronic device shown in FIG. 15;

FIG. 17 is a rear view of the electronic device shown in FIG. 15;

FIG. 18 is a left-side view of the electronic device shown in FIG. 15;

FIG. 19 is a right-side view of the electronic device shown in FIG. 15;

(Continued)

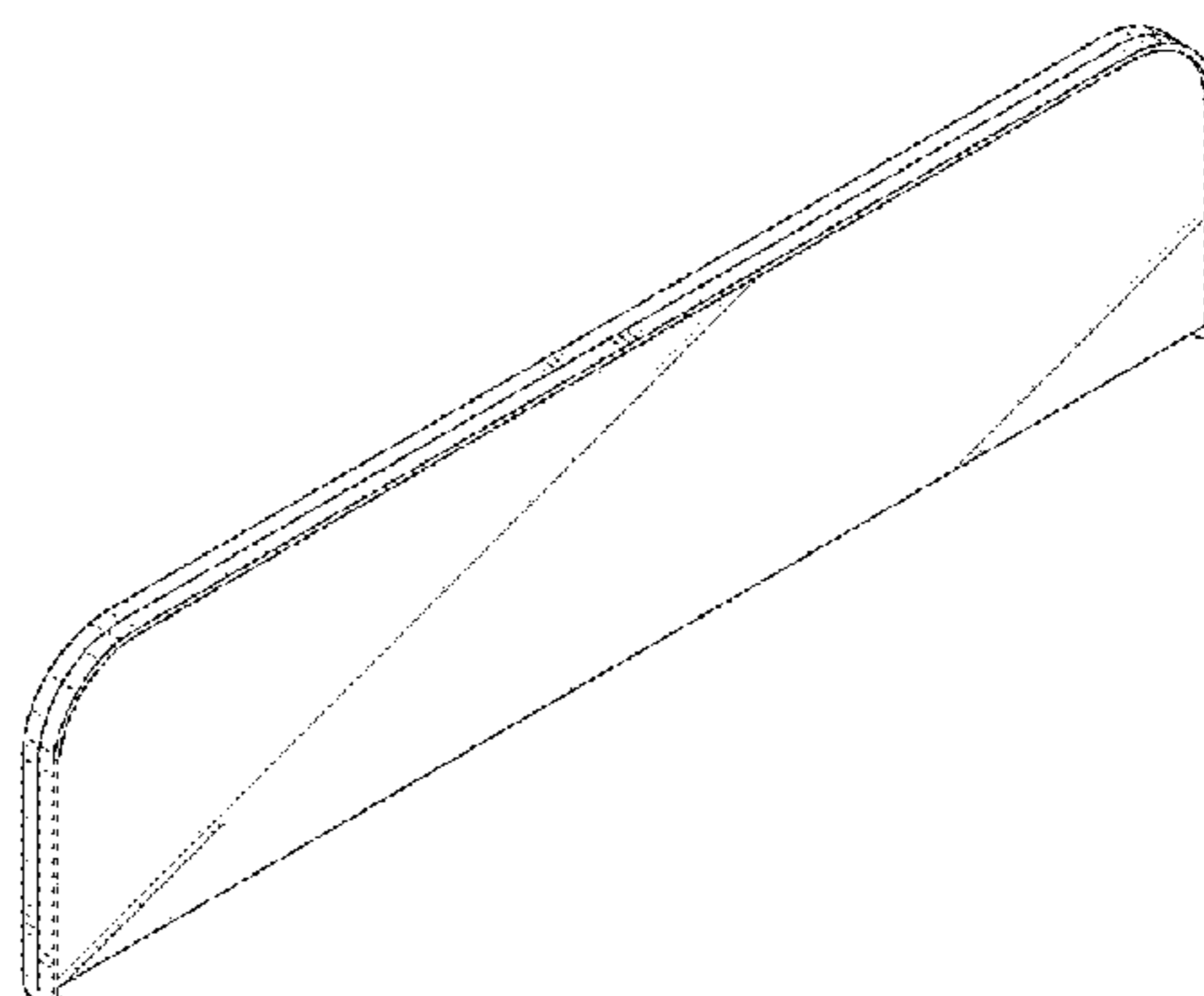
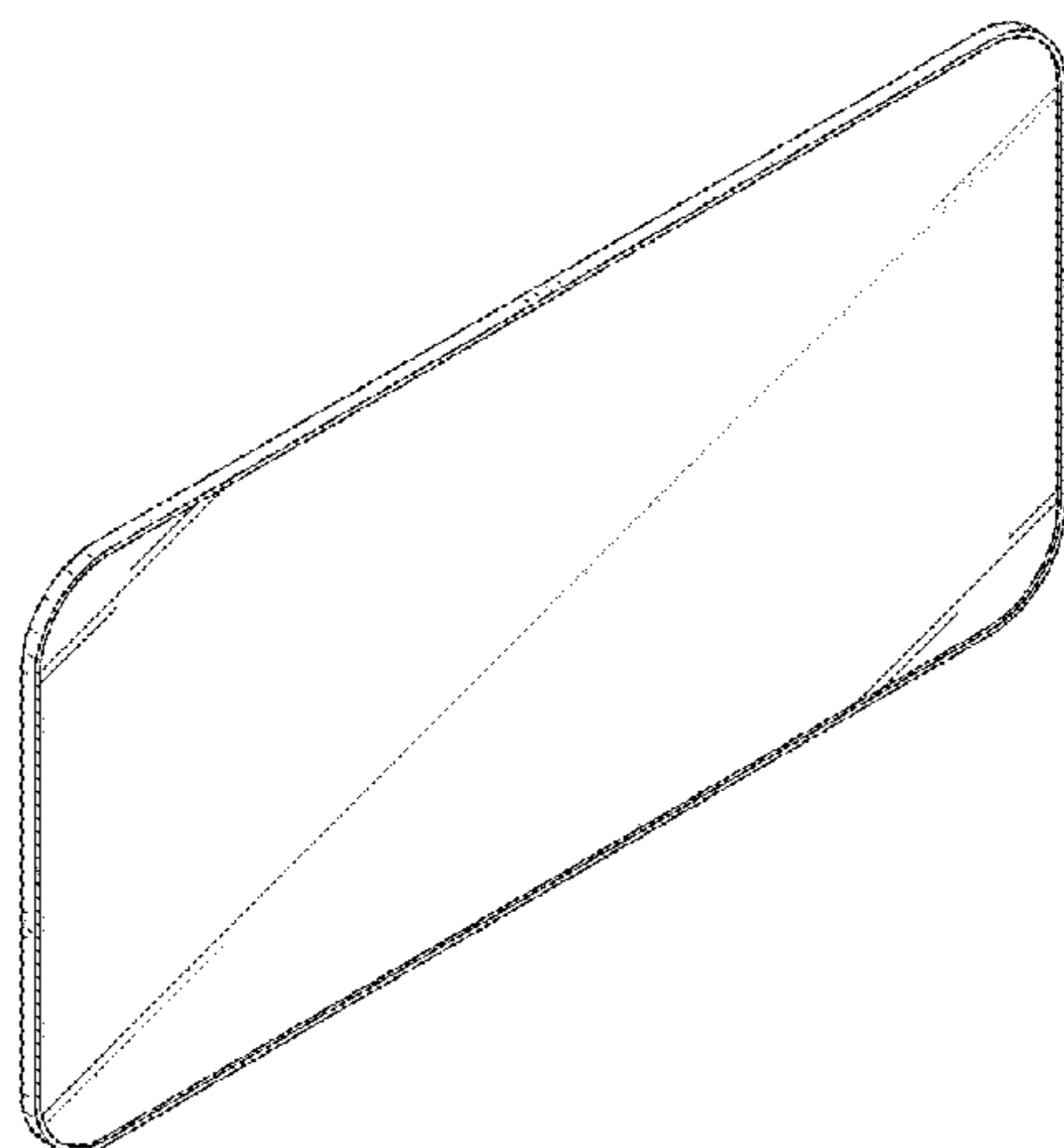


FIG. 20 is a top view of the electronic device shown in FIG. 15; and, FIG. 21 is a bottom view of the electronic device shown in FIG. 15.

**1 Claim, 21 Drawing Sheets**

**(58) Field of Classification Search**

USPC ..... D14/203.3, 203.4, 203.7, 129, 130, 147, D14/218, 247, 248, 250, 385, 388, 389, D14/315-318, 420, 426, 439; D21/329, D21/330; D10/50, 65, 104.1  
CPC . A63H 33/3016; G06F 1/1613; G06F 1/1647; G06F 1/1641; G06F 3/04883; G06F 3/0486; G06F 3/04847; G06F 3/04845; G06F 3/0484; H04M 1/0279; H04M 1/0281; H04M 1/0283

See application file for complete search history.

**(56) References Cited**

U.S. PATENT DOCUMENTS

D649,966 S \* 12/2011 Chiu ..... D14/341  
8,213,997 B2 \* 7/2012 Cao ..... H04M 1/0247  
345/1.3  
D680,527 S \* 4/2013 Reeves ..... D14/341  
D680,528 S \* 4/2013 Reeves ..... D14/341  
D706,773 S \* 6/2014 Lu ..... D14/341  
D719,150 S \* 12/2014 Daniel ..... D14/341  
8,970,455 B2 \* 3/2015 Thorson ..... G06F 3/147  
345/105  
D726,140 S \* 4/2015 Park ..... D14/138 R  
9,146,638 B2 \* 9/2015 Prushinskiy ..... G06F 3/0416  
D741,854 S \* 10/2015 Daniel ..... D14/341  
D742,344 S \* 11/2015 Kim ..... D14/126  
D744,579 S \* 12/2015 Cope ..... D16/241  
9,250,701 B2 \* 2/2016 Kim ..... G06F 3/01  
9,342,106 B2 \* 5/2016 Nurmi ..... G06F 1/1652  
D764,443 S \* 8/2016 Cai ..... D14/218  
D769,209 S \* 10/2016 Byun ..... D14/138 AB  
D775,598 S \* 1/2017 Kim ..... D14/138 AB  
D779,481 S \* 2/2017 Jun ..... D14/341  
D783,607 S \* 4/2017 Lee ..... D14/138 R  
D784,952 S \* 4/2017 Fleming, Jr. .... D14/203.7  
2009/0096965 A1 \* 4/2009 Nagata ..... G02F 1/133305  
349/103  
2011/0134144 A1 \* 6/2011 Moriwaki ..... G09G 3/3208  
345/660  
2012/0020056 A1 \* 1/2012 Yamagata ..... G02F 1/133308  
362/97.1

2012/0262367 A1 \* 10/2012 Chiu ..... G06F 1/1626  
345/156  
2013/0083496 A1 \* 4/2013 Franklin ..... G06F 1/1626  
361/749  
2013/0307816 A1 \* 11/2013 Lee ..... G06F 1/1652  
345/174  
2014/0031662 A1 \* 1/2014 Chou ..... A61B 5/6838  
600/384  
2014/0198036 A1 \* 7/2014 Kim ..... G06F 1/1652  
345/156  
2014/0226275 A1 \* 8/2014 Ko ..... G06F 1/1626  
361/679.27  
2014/0353613 A1 \* 12/2014 Cheon ..... H01L 51/0097  
257/40  
2015/0187325 A1 \* 7/2015 Yeo ..... H04N 5/4403  
345/156  
2015/0338888 A1 \* 11/2015 Kim ..... G06F 1/1677  
345/156  
2016/0034047 A1 \* 2/2016 Lee ..... G09G 5/373  
345/156  
2016/0118640 A1 \* 4/2016 Miyake ..... H01M 2/26  
429/163  
2016/0179236 A1 \* 6/2016 Shin ..... G06F 1/1616  
345/173  
2017/0094168 A1 \* 3/2017 Kang ..... H04N 5/23238

FOREIGN PATENT DOCUMENTS

KR 30-2012-0003323 7/2013  
KR 30-2013-0009580 3/2014

OTHER PUBLICATIONS

Samsung Amazing Flexible Display (at 0:48), announced Jan. 11, 2013 [online], [site visited Apr. 26, 2017]. Available from Internet, URL: <<https://www.youtube.com/watch?v=pU0hb-2Ssj4>>.\*  
The straight truth about Samsung and LG's flexible smartphone displays, announced Oct. 7, 2013 [online], [site visited Apr. 26, 2017]. Available from Internet, URL: <<https://arstechnica.com/gadgets/2013/10/the-straight-truth-about-samsung-and-lgs-flexible-smartphone-displays/>>.\*  
Meet The Flexible Smartphones & Tablets of The Future, announced Oct. 17, 2014 [online], [site visited Apr. 26, 2017]. Available from Internet, URL: <<http://www.knowyourmobile.com/mobile-phones/samsung-galaxy-note-edge/20977/meet-flexible-smartphones-tablets-future>>.\*  
Suwon Lee Reporter. "3 surfaces flip smart phone". [2011]. www.bodnara.co.kr. Jan. 20, 2011. <<http://www.bodnara.co.kr/bbs/article.html?num=81194>>.

\* cited by examiner

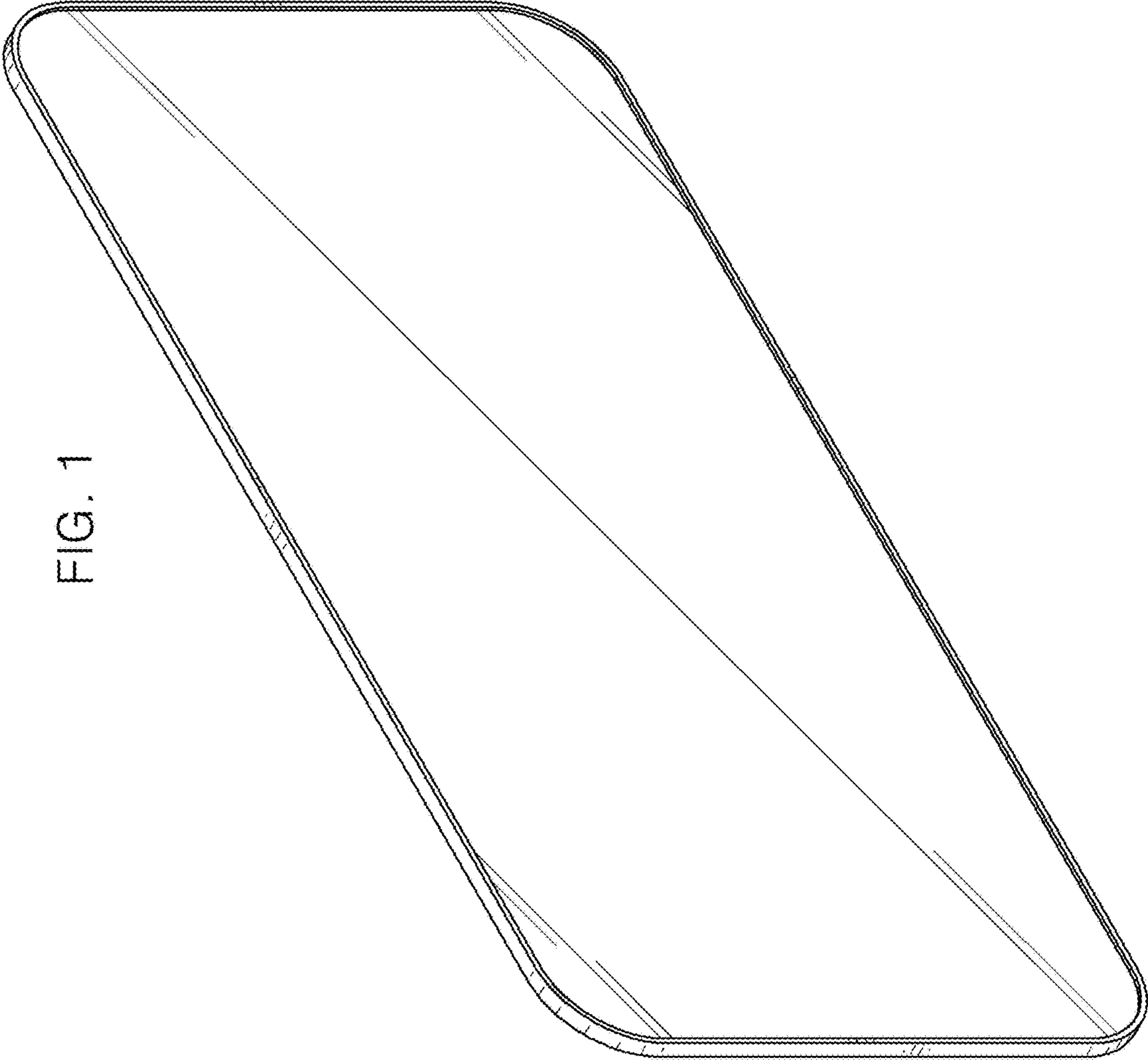


FIG. 1



FIG. 2

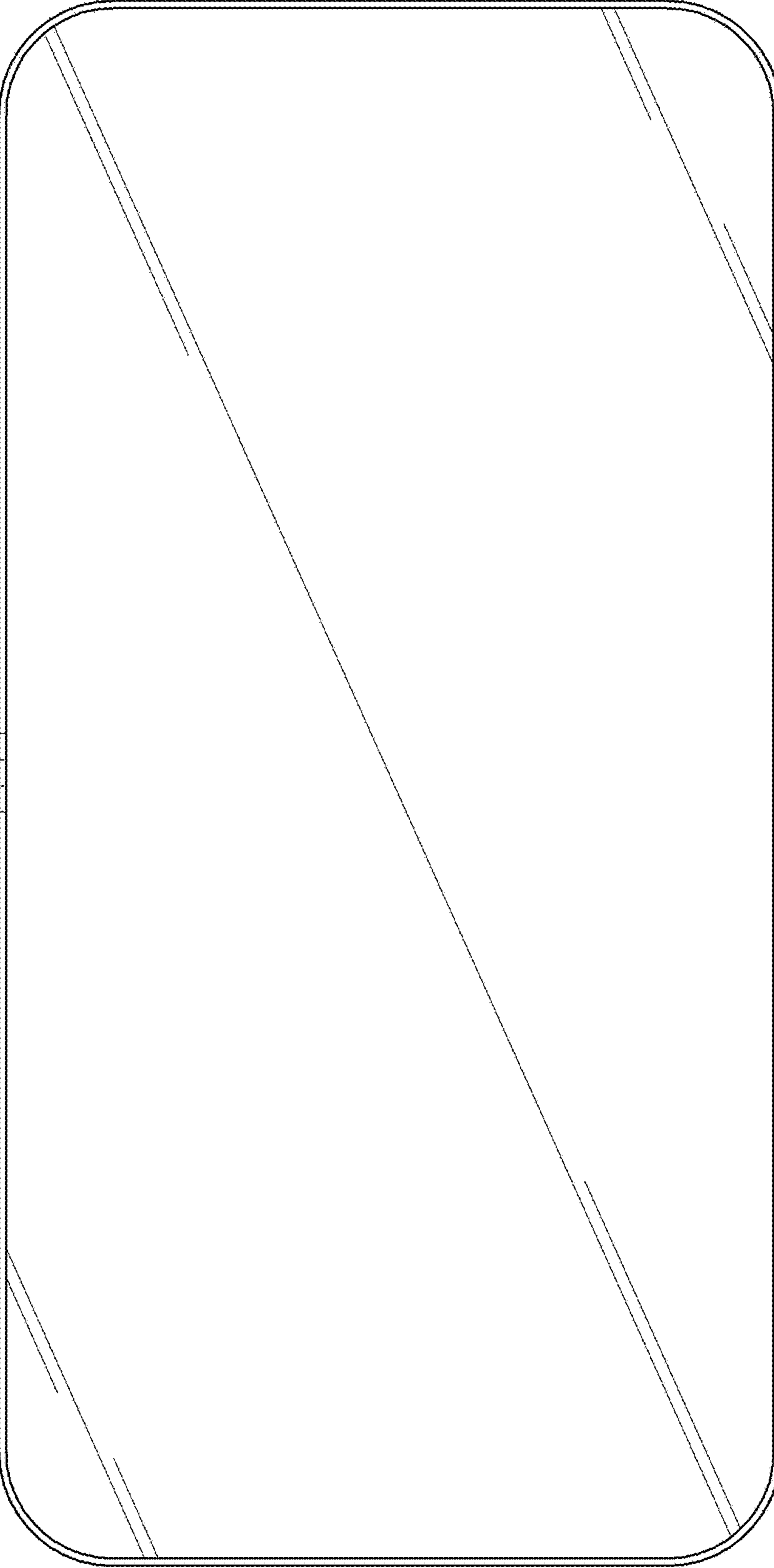


FIG. 3

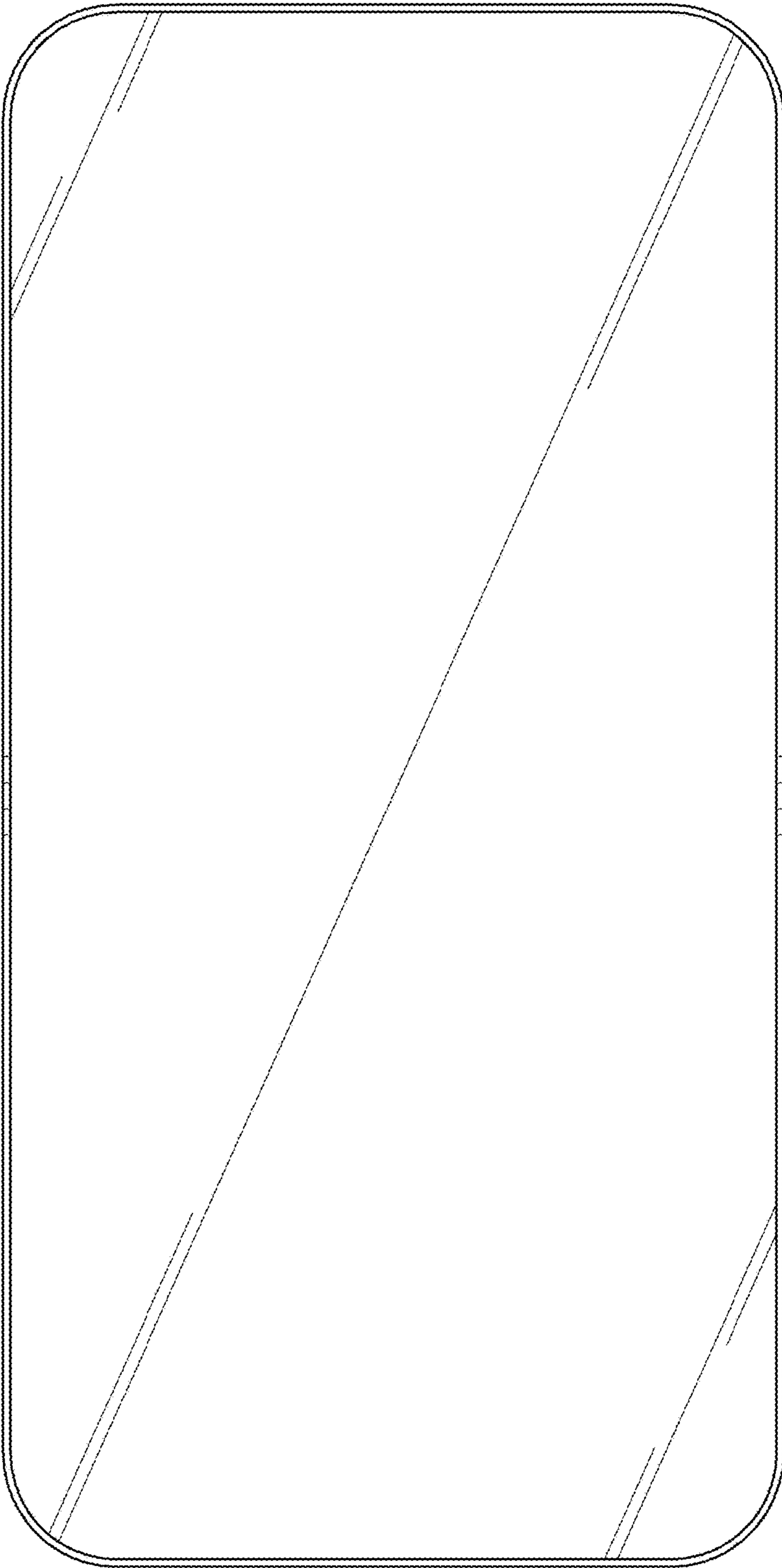


FIG. 4



FIG. 5

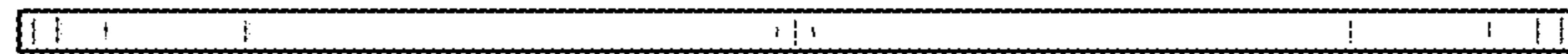


FIG. 6





FIG. 7



FIG. 8

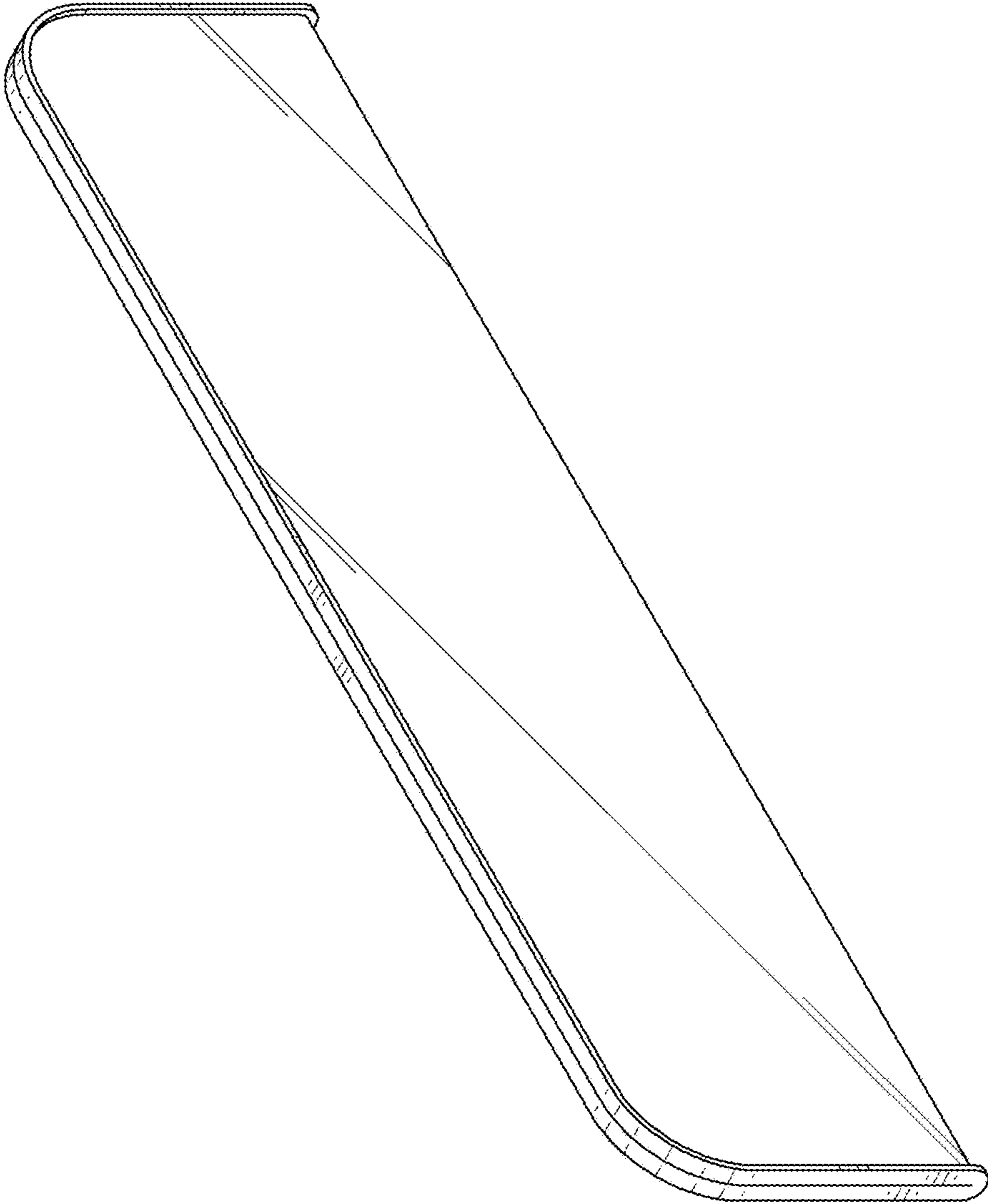


FIG. 9

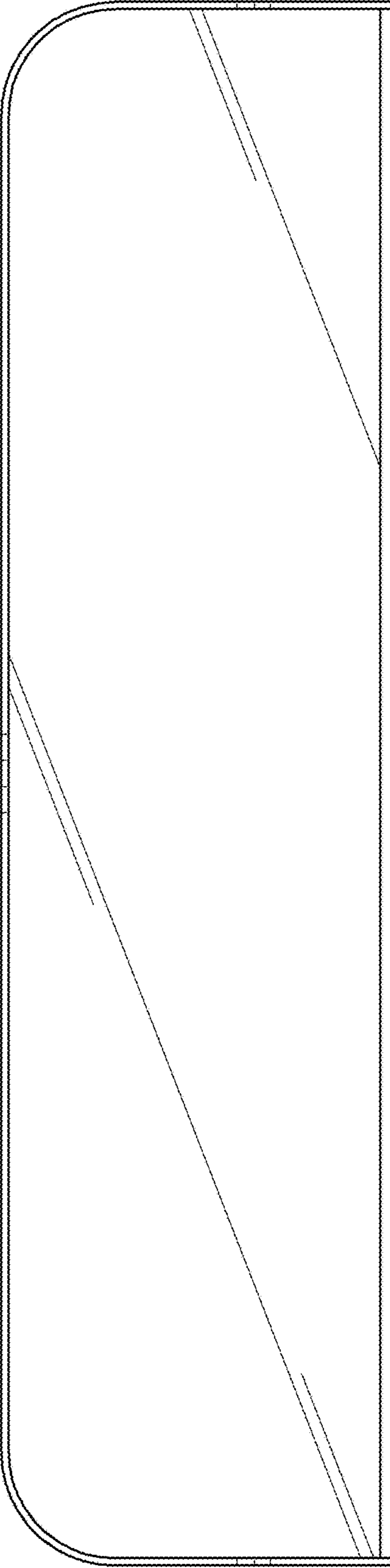


FIG. 10

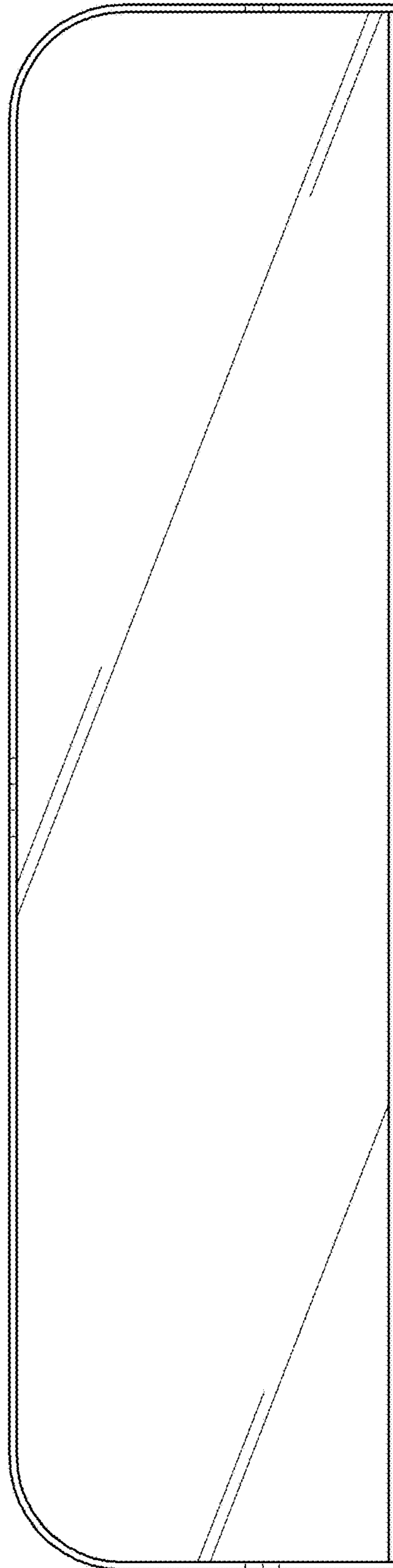


FIG. 11

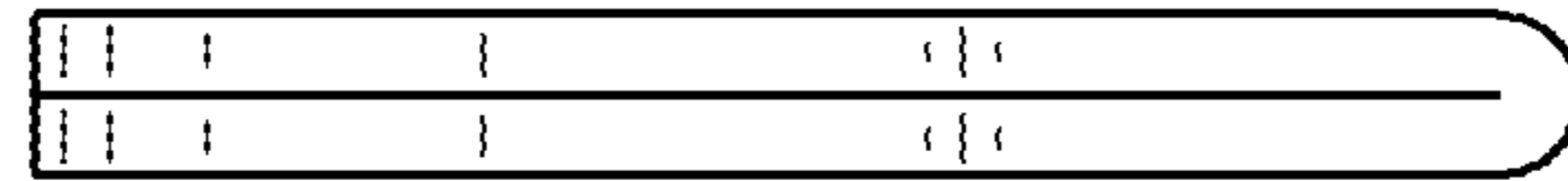


FIG. 12

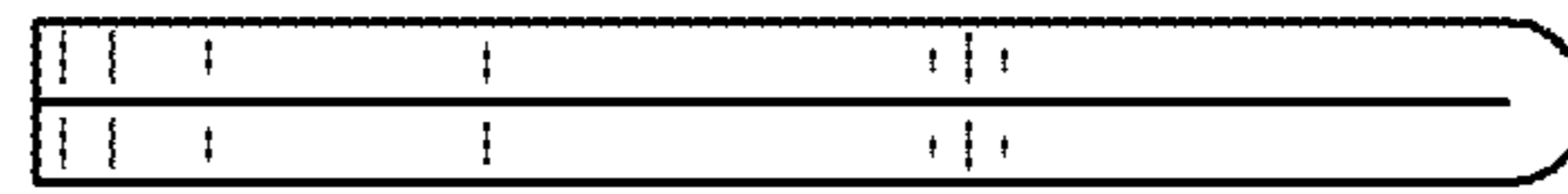




FIG. 13



FIG. 14

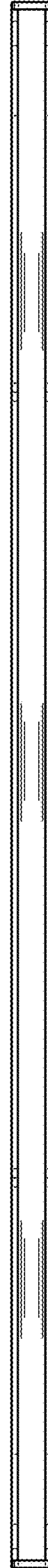


FIG. 15

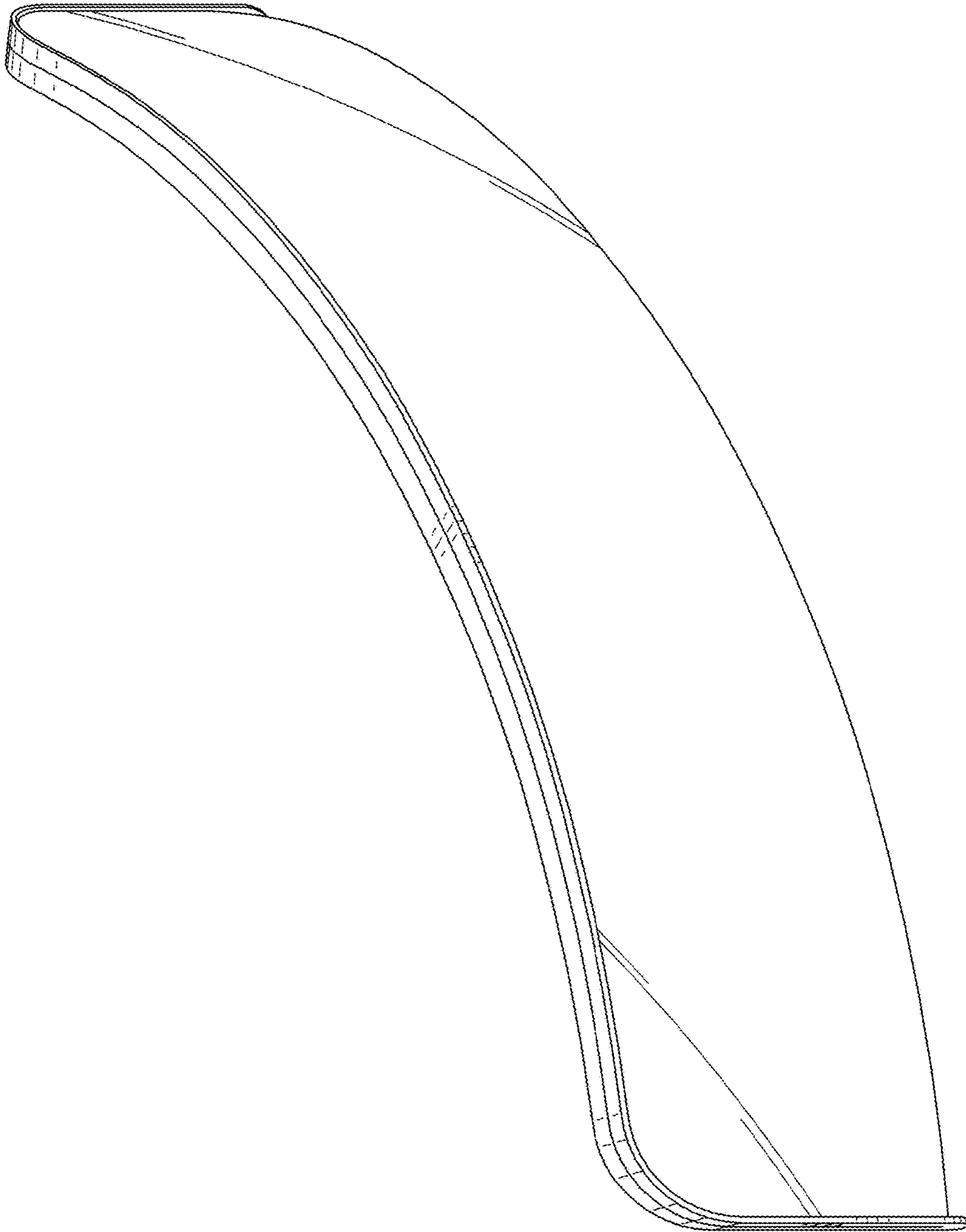


FIG. 16

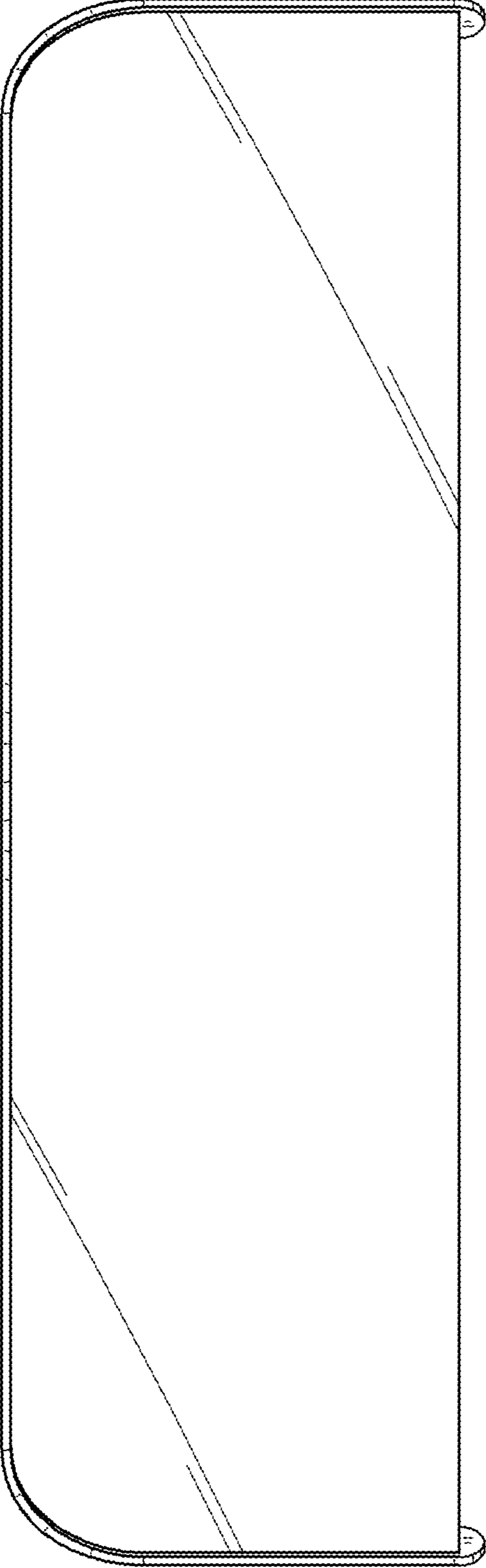


FIG. 17

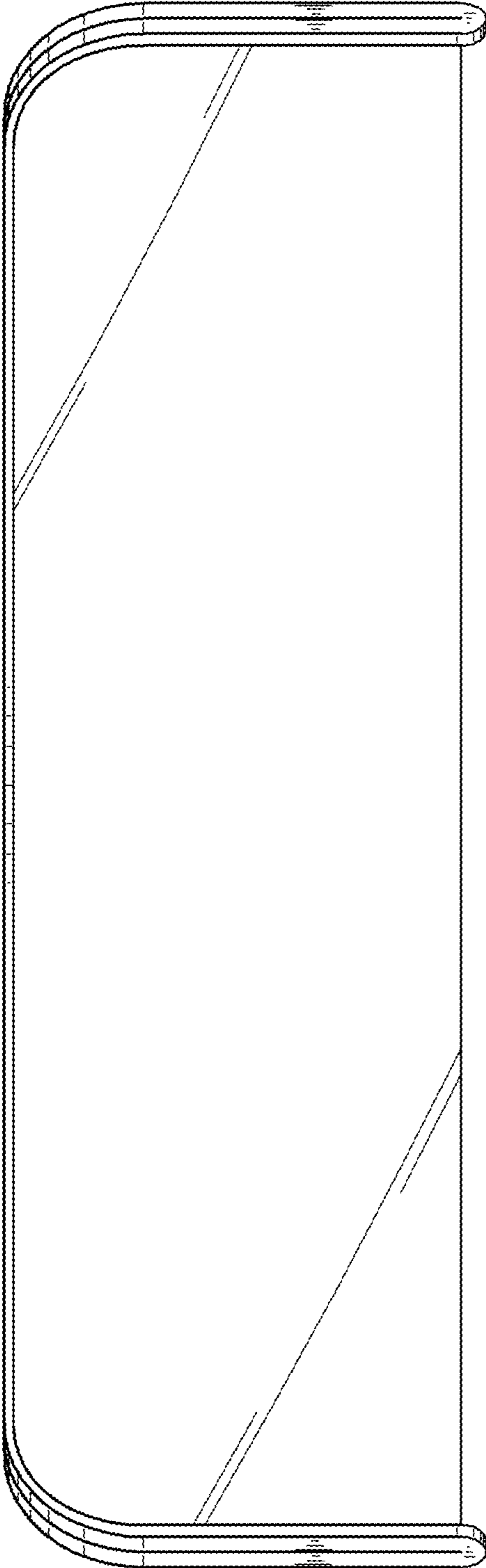


FIG. 18

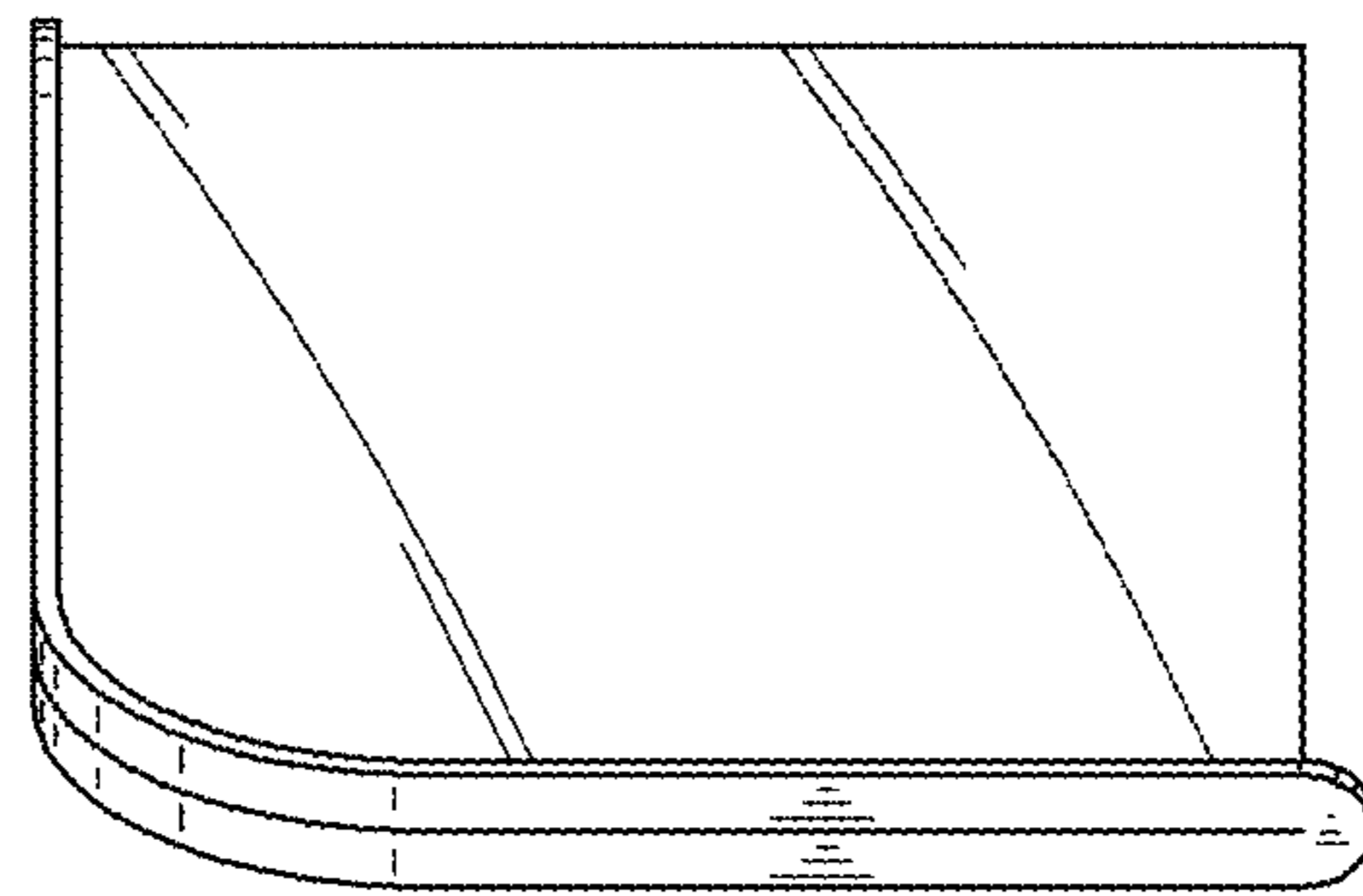




FIG. 19

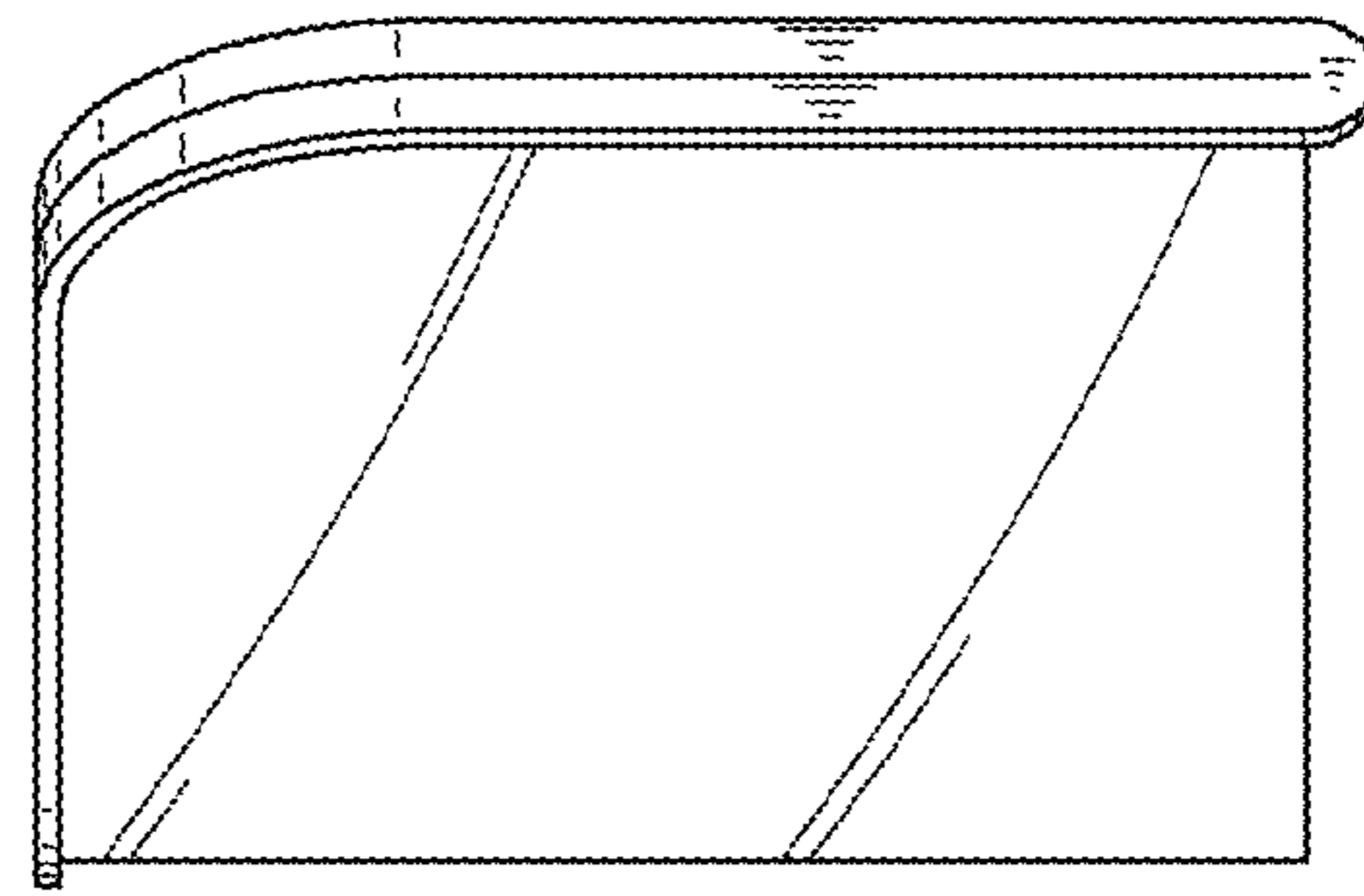


FIG. 20

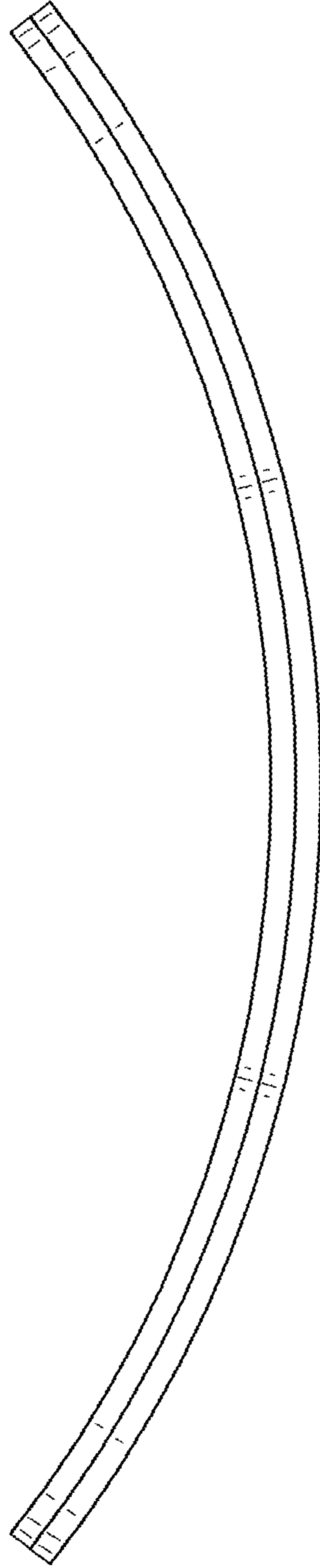


FIG. 21

